



US00D820267S

(12) **United States Design Patent** (10) **Patent No.:** **US D820,267 S**  
**Collins et al.** (45) **Date of Patent:** **\*\* Jun. 12, 2018**

(54) **BENDABLE DEVICE CASE**

(71) Applicant: **Intel Corporation**, Santa Clara, CA (US)

(72) Inventors: **David M. Collins**, San Francisco, CA (US); **Douglas Satzger**, Santa Clara, CA (US); **Michael A. Hyde**, Santa Clara, CA (US)

(73) Assignee: **Intel Corporation**, Santa Clara, CA (US)

(\*\*) Term: **15 Years**

(21) Appl. No.: **29/505,644**

(22) Filed: **Dec. 24, 2015**

(51) **LOC (11) Cl.** ..... **14-02**

(52) **U.S. Cl.**  
USPC ..... **D14/440**

(58) **Field of Classification Search**  
USPC ..... D14/250, 440, 447; 206/45.23, 320, 206/45.2; 361/679.55; 294/25; 224/218; D7/554.3

CPC .... G06F 1/1628; G06F 1/1613; G06F 1/1626; A47B 23/044

See application file for complete search history.

(56) **References Cited**

**U.S. PATENT DOCUMENTS**

D352,516 S \* 11/1994 Newman ..... D24/218  
D526,851 S \* 8/2006 Groff ..... D7/552.1  
D532,258 S \* 11/2006 Bardolet ..... D7/554.3  
D601,854 S \* 10/2009 Rubin ..... D7/550.1  
D641,352 S 7/2011 Flagiello et al.  
D673,159 S \* 12/2012 McCarthy ..... D14/440  
D681,583 S 5/2013 Park

(Continued)

**FOREIGN PATENT DOCUMENTS**

CN 202980585 U 6/2013  
KR 20140136538 A 12/2014  
WO 2013006294 A1 1/2013

**OTHER PUBLICATIONS**

PCT International Search Report, PCT Application No. PCT/US2016/059032, dated Feb. 3, 2017, 3 pages.

(Continued)

*Primary Examiner* — Cynthia Underwood

(74) *Attorney, Agent, or Firm* — International IP Law Group, P.L.L.C.

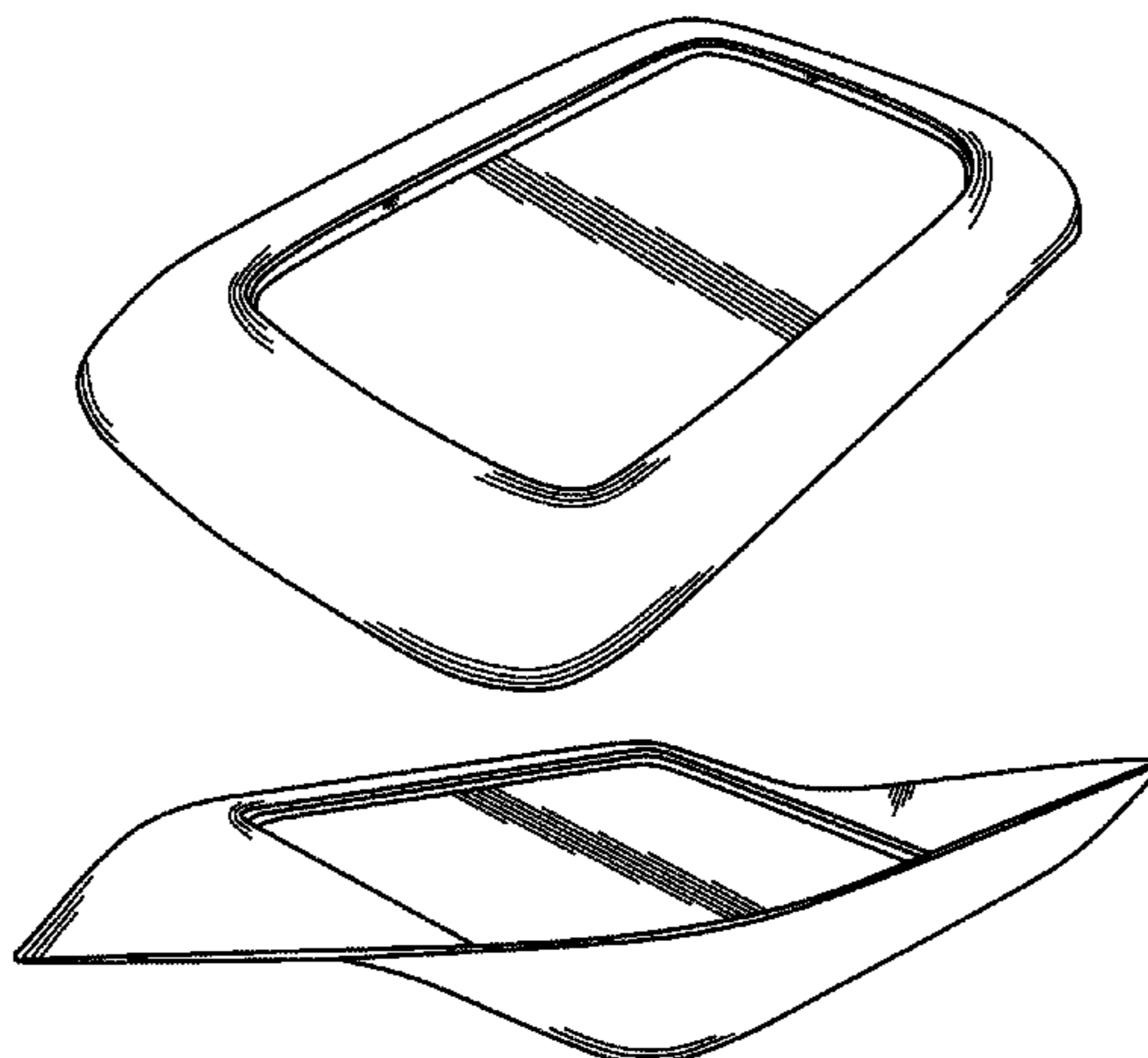
(57) **CLAIM**

The ornamental design for a bendable device case, as shown and described.

**DESCRIPTION**

FIG. 1 is a front view of a bendable device case; FIG. 2 is a back view of the bendable device case from FIG. 1; FIG. 3 is a top view of the bendable device case from FIG. 1; FIG. 4 is a bottom view of the bendable device case from FIG. 1; FIG. 5 is a left view of the bendable device case from FIG. 1; FIG. 6 is a right view of the bendable device case from FIG. 1; and FIG. 7 is a top left perspective view of the bendable device case from FIG. 1. FIG. 8 is a top left perspective view of a bendable device case with a long edge raised. FIG. 9 is a left perspective view of a bendable device case in a first portrait mode with a short edge raised; and, FIG. 10 is a top left perspective view of the bendable device case housing a computing device with a long edge raised. The broken lines depict environment and form no part of the claim.

**1 Claim, 10 Drawing Sheets**



(56)

**References Cited**

U.S. PATENT DOCUMENTS

D684,967	S	6/2013	Flagiello et al.	
D691,104	S	10/2013	Park	
D701,201	S	3/2014	Jiang	
D705,775	S	5/2014	Canizares et al.	
D714,286	S	9/2014	Kim et al.	
8,833,555	B2	9/2014	Bennett, Jr.	
D717,304	S *	11/2014	Yturralde .....	D14/250
D722,050	S	2/2015	Moradian	
D743,407	S *	11/2015	Lin .....	G06F 1/1626 D14/440
D745,855	S	12/2015	Chu	
D746,279	S	12/2015	Bajwa et al.	
D746,280	S	12/2015	Bajwa et al.	
D754,666	S *	4/2016	Tiffen .....	D14/440
D755,175	S	5/2016	Bajwa et al.	
D767,940	S *	10/2016	Gross .....	D7/554.3
D768,638	S *	10/2016	Lee .....	D14/440
9,661,906	B2	5/2017	Diebel et al.	
D791,121	S	7/2017	Collins et al.	
2014/0265767	A1	9/2014	Fathollahi	
2015/0041505	A1	2/2015	Fujioka	
2015/0097009	A1	4/2015	Burgess et al.	
2015/0122850	A1	5/2015	Quehl	
2015/0141095	A1	5/2015	Kim	
2015/0296946	A1	10/2015	Buechin	
2017/0187408	A1	6/2017	Collins et al.	

OTHER PUBLICATIONS

Yang, Songnan, U.S. Appl. No. 62/180,951, filed Jun. 17, 2015, US Application, Drawings, and Acknowledgment Receipt dated Jun. 17, 2015 attached (23 pages), Expired Provisional.

\* cited by examiner



FIG. 1



FIG. 2

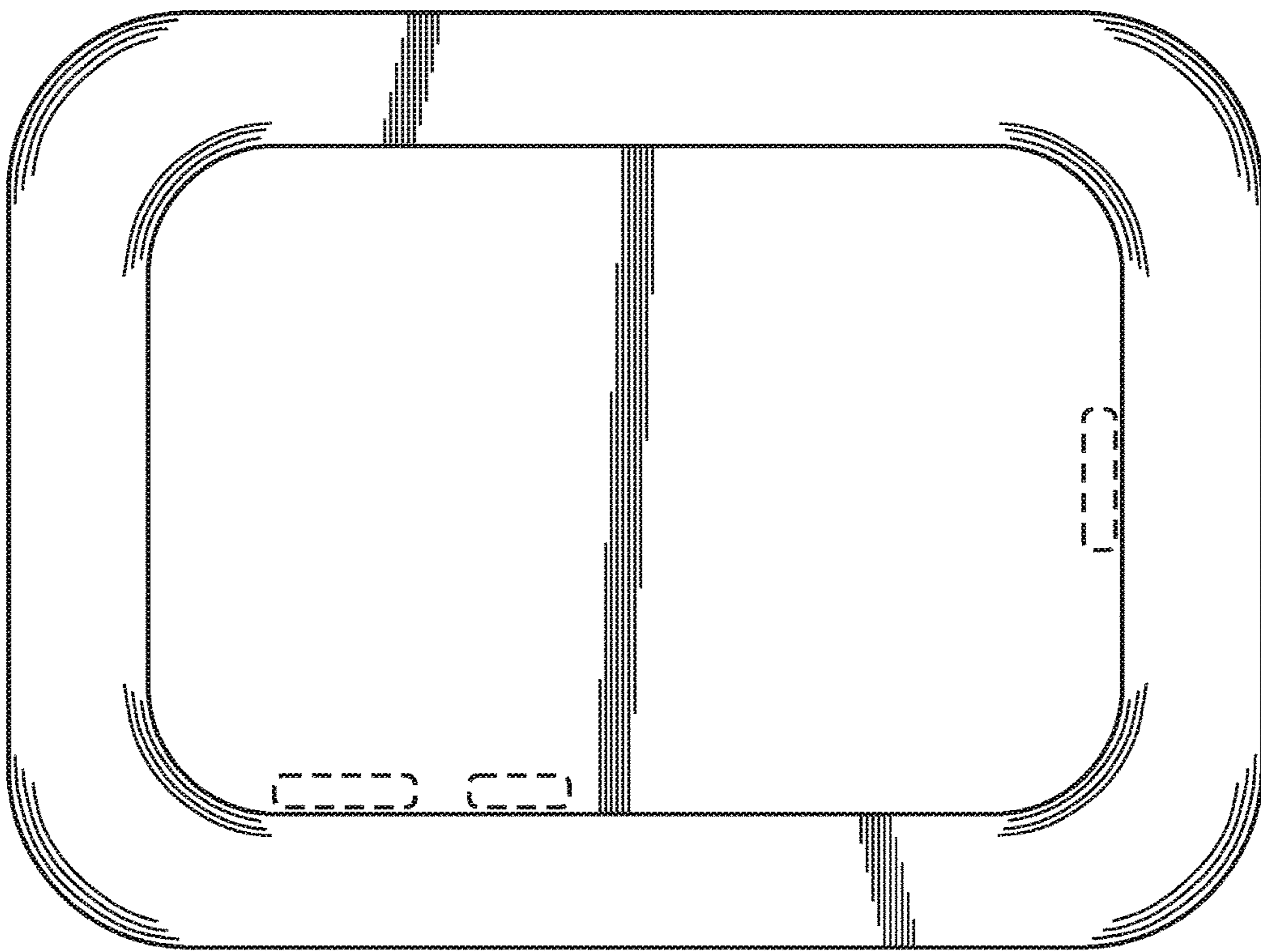


FIG. 3

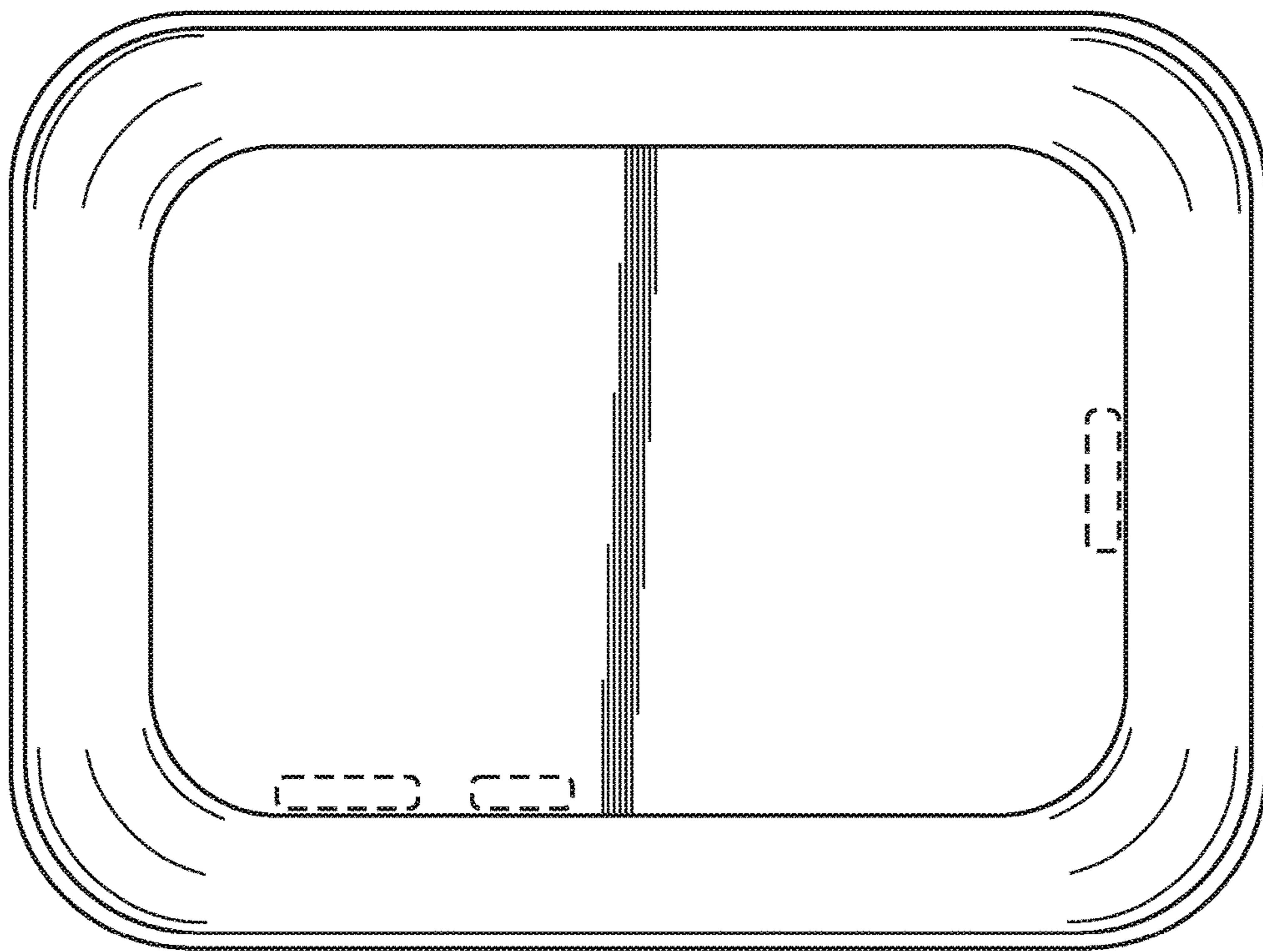


FIG. 4





FIG. 5



FIG. 6



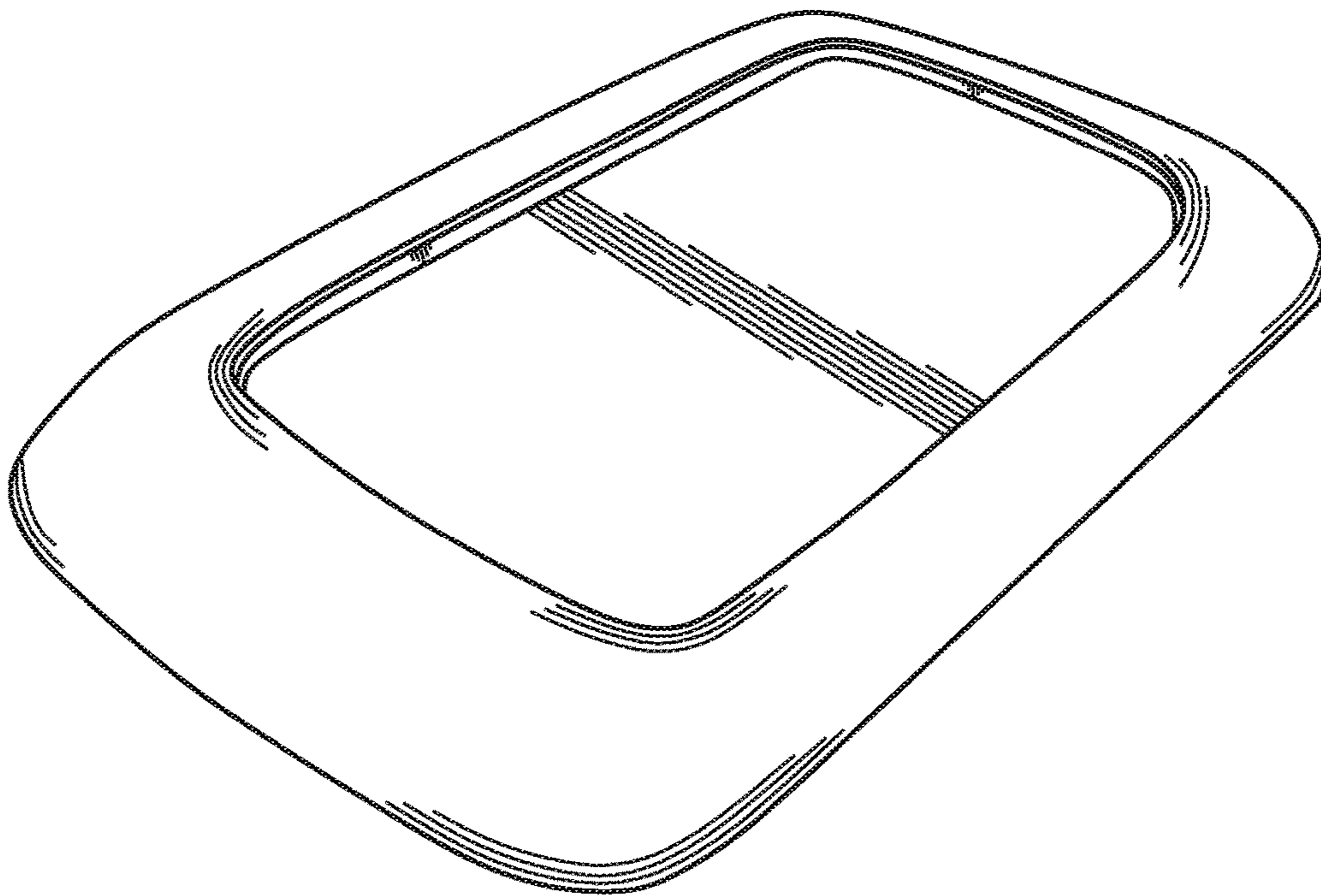


FIG. 7

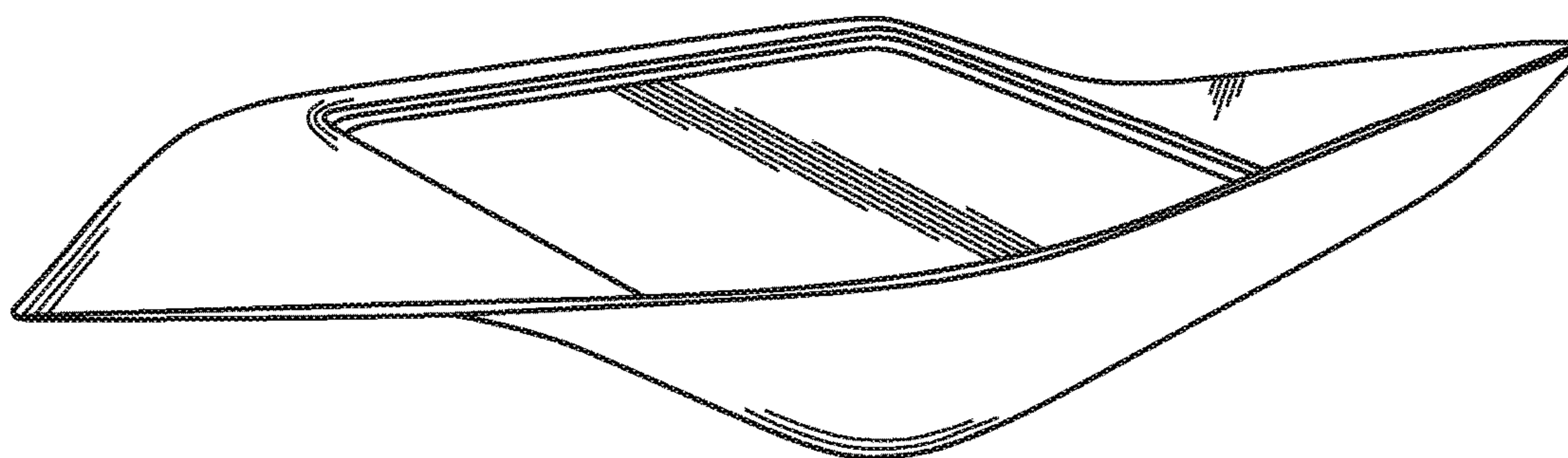


FIG. 8

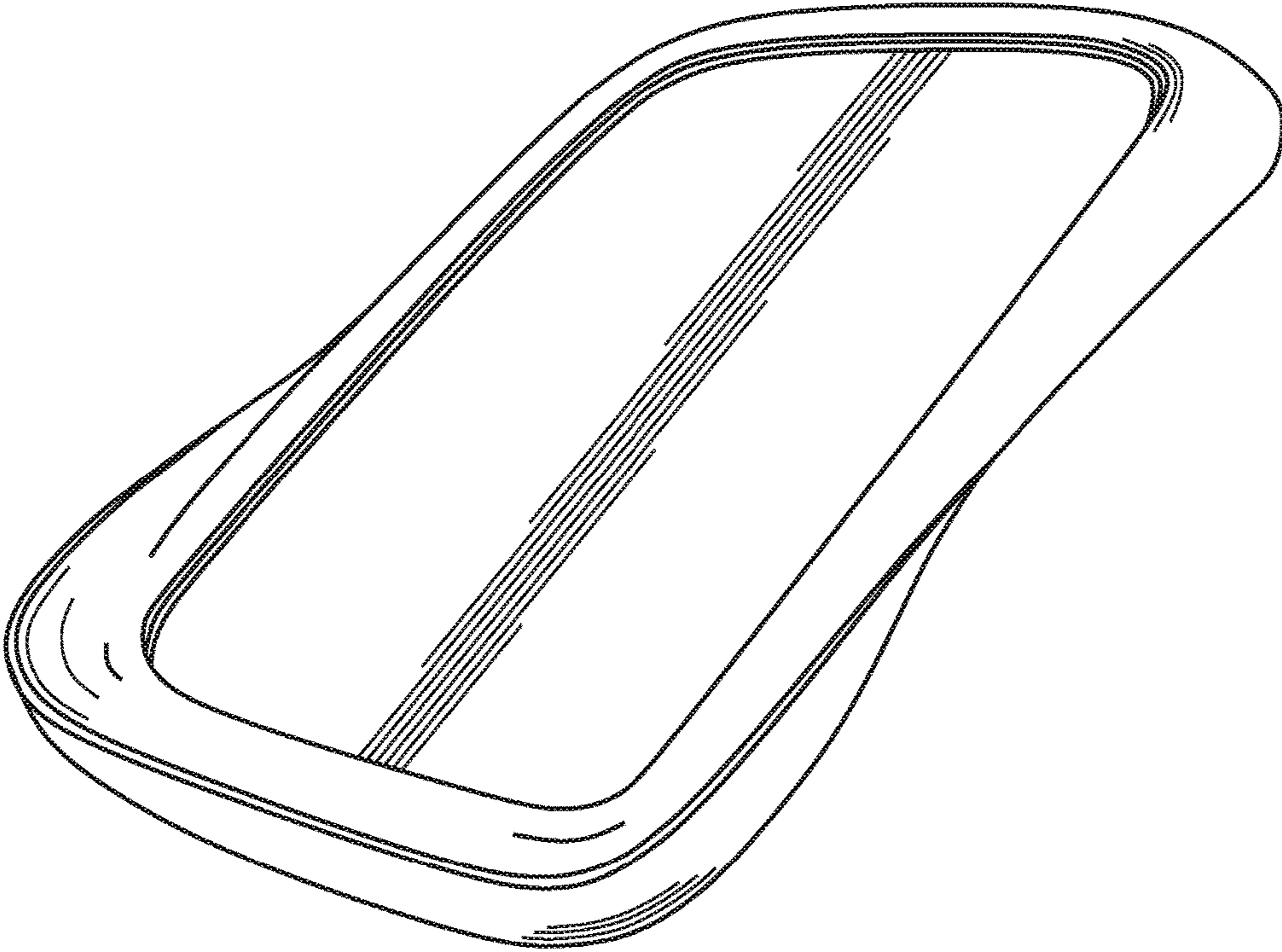


FIG. 9

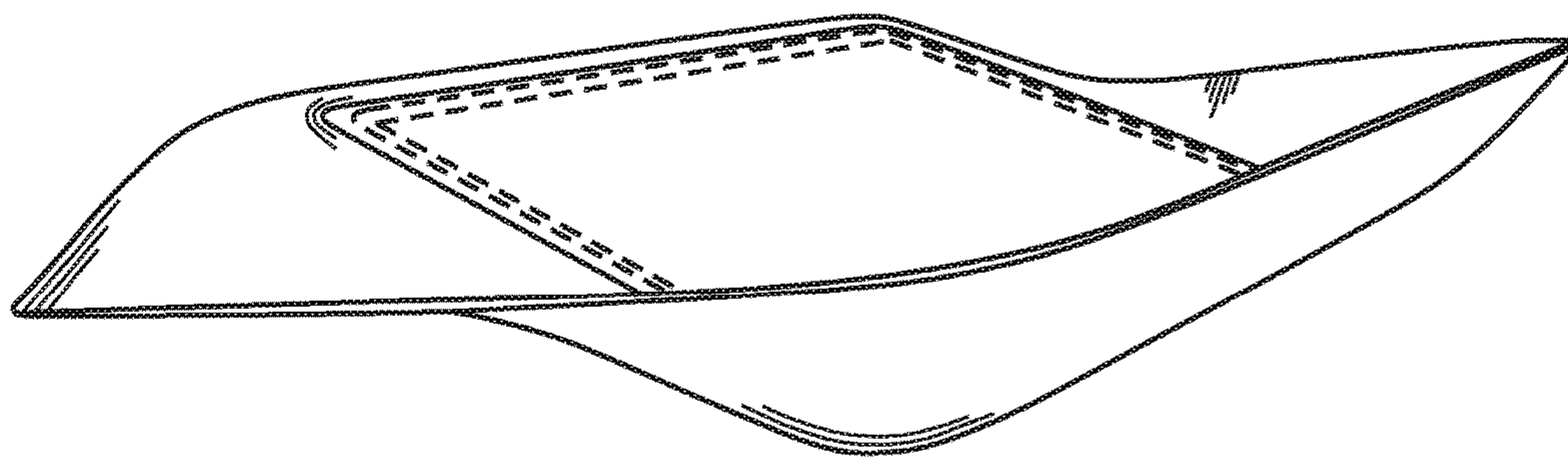


FIG. 10