



US00D820266S

(12) **United States Design Patent**  
**Li et al.**

(10) **Patent No.:** **US D820,266 S**  
(45) **Date of Patent:** **\*\* Jun. 12, 2018**

(54) **CONNECTING DEVICE**

(71) Applicants: **Ching-Hua Li**, Taipei (TW); **Li-Fang Chen**, Taipei (TW); **Chen-Hsien Cheng**, Taipei (TW); **I-Chen Chen**, Taipei (TW); **I-Lung Chen**, Taipei (TW); **Wei-Ning Chai**, Taipei (TW); **Cheng-Min Chen**, Taipei (TW)

(72) Inventors: **Ching-Hua Li**, Taipei (TW); **Li-Fang Chen**, Taipei (TW); **Chen-Hsien Cheng**, Taipei (TW); **I-Chen Chen**, Taipei (TW); **I-Lung Chen**, Taipei (TW); **Wei-Ning Chai**, Taipei (TW); **Cheng-Min Chen**, Taipei (TW)

(73) Assignee: **COMPAL ELECTRONICS, INC.**, Taipei (TW)

(\*\*) Term: **15 Years**

(21) Appl. No.: **29/561,533**

(22) Filed: **Apr. 18, 2016**

(51) **LOC (11) Cl.** ..... **14-02**

(52) **U.S. Cl.**

USPC ..... **D14/434**

(58) **Field of Classification Search**

USPC ..... D14/434, 440, 447, 251-253, 432, 451, D14/452, 454, 140, 142, 149, 217, 240, D14/299, 496, 356, 358; D13/103, 107, D13/108, 118, 119, 184; D3/201, 215, D3/218; D8/323; 248/157

CPC .... G06F 1/1616; G06F 1/1626; G06F 1/1632; H01M 10/44; F16M 11/00; F16M 11/10; F16M 11/041; F16M 11/105; F16M 11/2021; F16M 13/00; H02J 7/0042; H02J 7/00; H02J 7/0027; H02J 7/0044; H02J 7/0045

See application file for complete search history.

(56) **References Cited**

**U.S. PATENT DOCUMENTS**

D215,536 S \* 10/1969 Larsen ..... D6/601  
D269,529 S \* 6/1983 Luen ..... D14/336

(Continued)

**OTHER PUBLICATIONS**

Host Computer. (Design—© Questel). orbit.com. [online PDF] 5 pgs. Print Date Mar. 15, 2017 [retrieved on Jun. 2, 2017] https://sobjprd.questel.fr/export/QPTUJ214/pdf2/d263fc94-05cb-43c3-8851-189e20735e04-190012.pdf.\*

*Primary Examiner* — Susan Bennett Hattan

*Assistant Examiner* — Marie D. Fast Horse

(74) *Attorney, Agent, or Firm* — JCIPRNET

(57) **CLAIM**

The ornamental design for a connecting device, as shown and described.

**DESCRIPTION**

FIG. 1 is a perspective view of a connecting device showing our new design;

FIG. 2 is a front view thereof;

FIG. 3 is a rear view thereof;

FIG. 4 is a left side view thereof;

FIG. 5 is a right side view thereof;

FIG. 6 is a top view thereof;

FIG. 7 is a bottom view thereof;

FIG. 8 is an enlarged view of an indicated portion of FIG. 5;

FIG. 9 is a perspective view thereof showing in a close state;

FIG. 10 is a front view thereof showing in a close state;

FIG. 11 is a rear view thereof showing in a close state;

FIG. 12 is a left side view thereof showing in a close state;

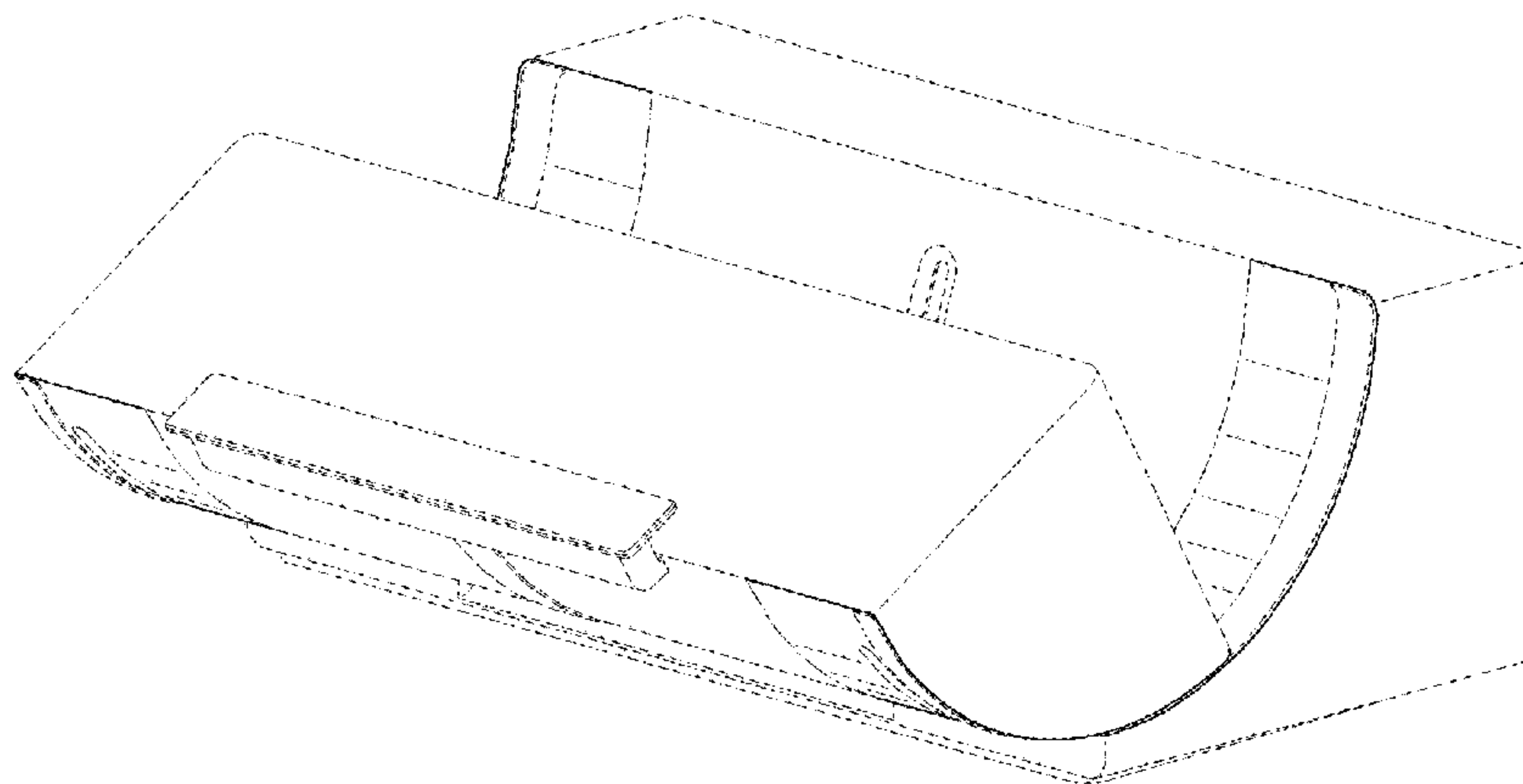
FIG. 13 is a right side view thereof showing in a close state;

FIG. 14 is a top view thereof showing in a close state; and,

FIG. 15 is a bottom view thereof showing in a close state.

The dot-dashed broken lines represent a boundary of the claimed design and form no part of the claimed design. The large thick dashes seen in FIG. 5 and FIG. 8 encircling and referencing the enlargement form no part of the claim, while the remaining small dashed broken lines depict portions of the connecting device that form no part of the claimed design. The claim is directed to the design shown in solid lines and shaded surfaces, and all unshaded surfaces shown between the broken and solid lines form no part of the claim design.

**1 Claim, 15 Drawing Sheets**



(56)

References Cited

U.S. PATENT DOCUMENTS

D282,847 S \* 3/1986 Hettinga ..... D14/451  
 D305,330 S \* 1/1990 Walters, II ..... D14/451  
 D311,392 S \* 10/1990 Hillary ..... D14/451  
 D311,527 S \* 10/1990 Fujii ..... D14/324  
 D330,197 S \* 10/1992 Kajita ..... D14/320  
 D339,051 S \* 9/1993 Bisbing ..... D8/323  
 5,611,731 A \* 3/1997 Bouton ..... A63F 13/02  
 273/148 B  
 D406,718 S \* 3/1999 Jacobs ..... D21/686  
 D412,487 S \* 8/1999 Nagele ..... D13/108  
 D431,034 S \* 9/2000 Crowe ..... D14/141.3  
 6,354,552 B1 \* 3/2002 Chiu ..... F16M 11/10  
 248/422  
 D498,136 S \* 11/2004 Parker ..... D8/323  
 6,837,058 B1 \* 1/2005 McEuen ..... G06F 1/1626  
 361/679.41  
 D512,299 S \* 12/2005 Libert ..... D8/323  
 D533,558 S \* 12/2006 Elkhuizen ..... D14/447  
 D552,539 S \* 10/2007 Choi ..... D13/108  
 D562,108 S \* 2/2008 Pester ..... D8/323  
 D565,131 S \* 3/2008 Decker ..... D21/686  
 D588,578 S \* 3/2009 Donovan ..... D14/217  
 D615,384 S \* 5/2010 Ross ..... D8/323  
 D621,683 S \* 8/2010 Mullenix ..... D8/323  
 D636,395 S \* 4/2011 Anderson ..... D13/107  
 D642,121 S \* 7/2011 Lee ..... D13/108  
 D643,842 S \* 8/2011 Marshall ..... D14/315  
 D645,868 S \* 9/2011 Lau ..... D14/452  
 D649,859 S \* 12/2011 Krammer ..... D8/323  
 8,142,926 B2 \* 3/2012 Ke ..... H01M 2/1055  
 29/623.1  
 D662,084 S \* 6/2012 Akana ..... D14/217  
 D662,102 S \* 6/2012 Derry ..... D14/452  
 8,379,382 B2 \* 2/2013 Marshall ..... F16M 11/041  
 206/320  
 D691,132 S \* 10/2013 Sharma ..... D14/341  
 D695,747 S \* 12/2013 Hobbs ..... D14/447  
 D706,261 S \* 6/2014 Sharma ..... D14/341  
 D707,211 S \* 6/2014 Ho ..... D14/240  
 8,749,963 B2 \* 6/2014 Staats ..... G06F 1/1632  
 248/121  
 D715,804 S \* 10/2014 Frenzel ..... D14/447  
 D721,375 S \* 1/2015 Choi ..... D14/434

D721,711 S \* 1/2015 Chen ..... D14/447  
 D721,713 S \* 1/2015 Ko ..... D14/451  
 D726,177 S \* 4/2015 Lee ..... D14/315  
 D736,761 S \* 8/2015 Tanner ..... D14/315  
 D741,314 S \* 10/2015 Kwak ..... D14/253  
 D741,317 S \* 10/2015 Kang ..... D14/315  
 D741,847 S \* 10/2015 Jeon ..... D14/253  
 D741,866 S \* 10/2015 Ballout ..... D14/434  
 9,152,187 B2 \* 10/2015 Yeh ..... G06F 1/181  
 D743,408 S \* 11/2015 Chen ..... D14/447  
 D743,955 S \* 11/2015 Wu ..... D14/253  
 9,176,537 B2 \* 11/2015 Sharma ..... G06F 1/1669  
 D762,636 S \* 8/2016 Liu ..... D14/315  
 D776,119 S \* 1/2017 Plante ..... G06F 1/1632  
 D14/434  
 D776,650 S \* 1/2017 Ohana ..... D14/253  
 D779,493 S \* 2/2017 Eliyahu ..... D14/217  
 D786,884 S \* 5/2017 Borloz ..... D14/452  
 2006/0133021 A1 \* 6/2006 Fan ..... G06F 1/1632  
 361/679.55  
 2007/0113440 A1 \* 5/2007 Asvadi ..... G09F 13/22  
 40/544  
 2007/0241002 A1 \* 10/2007 Wu ..... G06F 1/1601  
 206/150  
 2011/0122556 A1 \* 5/2011 Cheng ..... G06F 1/1616  
 361/679.01  
 2012/0106047 A1 \* 5/2012 Chu ..... G06F 1/166  
 361/679.01  
 2012/0299547 A1 \* 11/2012 Lee ..... G06F 1/1632  
 320/115  
 2013/0026314 A1 \* 1/2013 Hu ..... F16M 11/041  
 248/157  
 2014/0198441 A1 \* 7/2014 Sharma ..... G06F 1/1635  
 361/679.09  
 2014/0273590 A1 \* 9/2014 Sharma ..... G06F 1/1669  
 439/350  
 2014/0285960 A1 \* 9/2014 Sharma ..... G06F 1/1654  
 361/679.28  
 2016/0091927 A1 \* 3/2016 Tzou ..... G06F 1/1626  
 361/679.58  
 2016/0378145 A1 \* 12/2016 Sung ..... G06F 1/1626  
 361/679.55  
 2017/0060201 A1 \* 3/2017 Prather ..... G06F 1/203  
 2017/0090516 A1 \* 3/2017 Ku ..... G06F 1/1632

\* cited by examiner

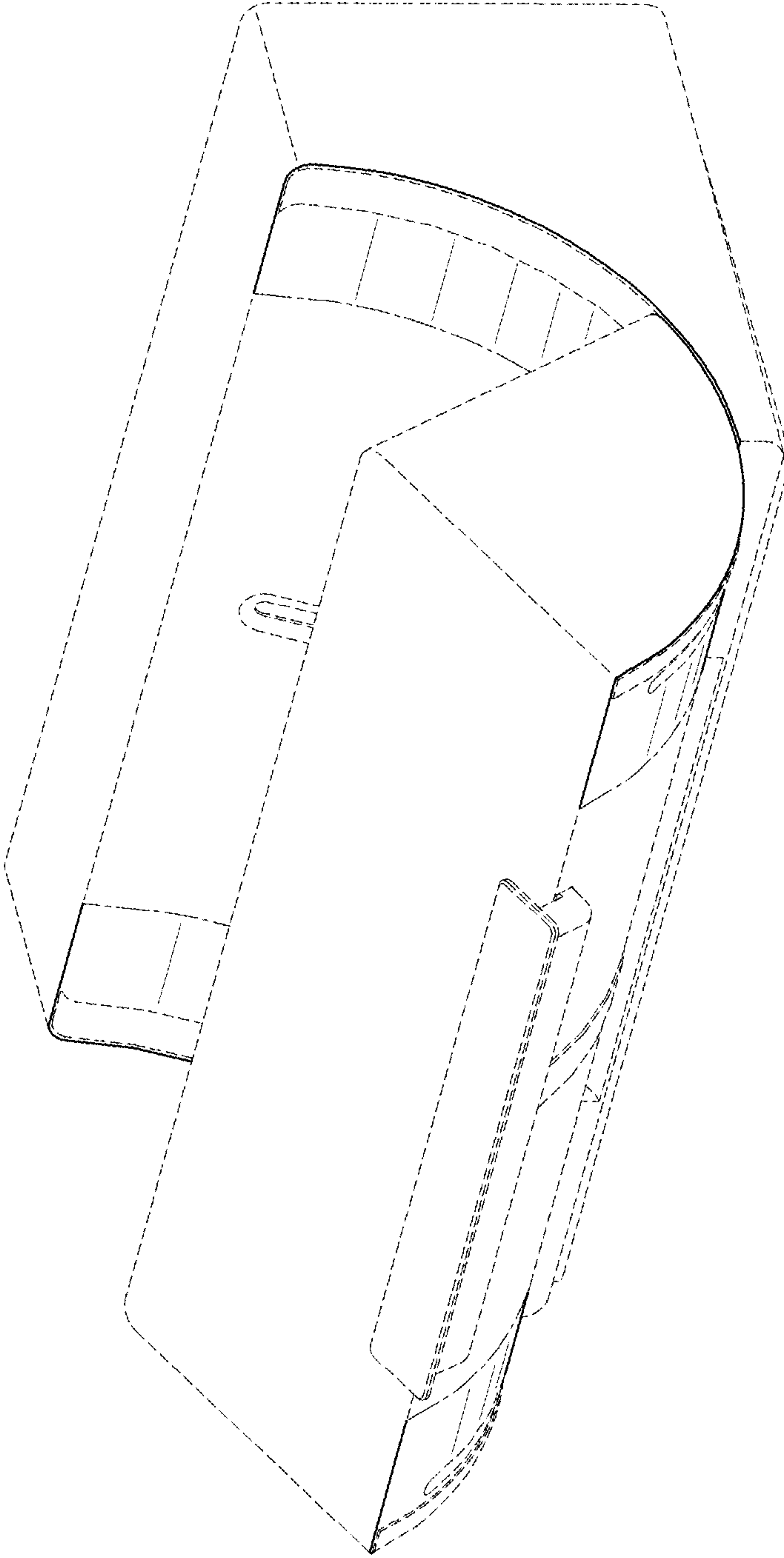


FIG. 1

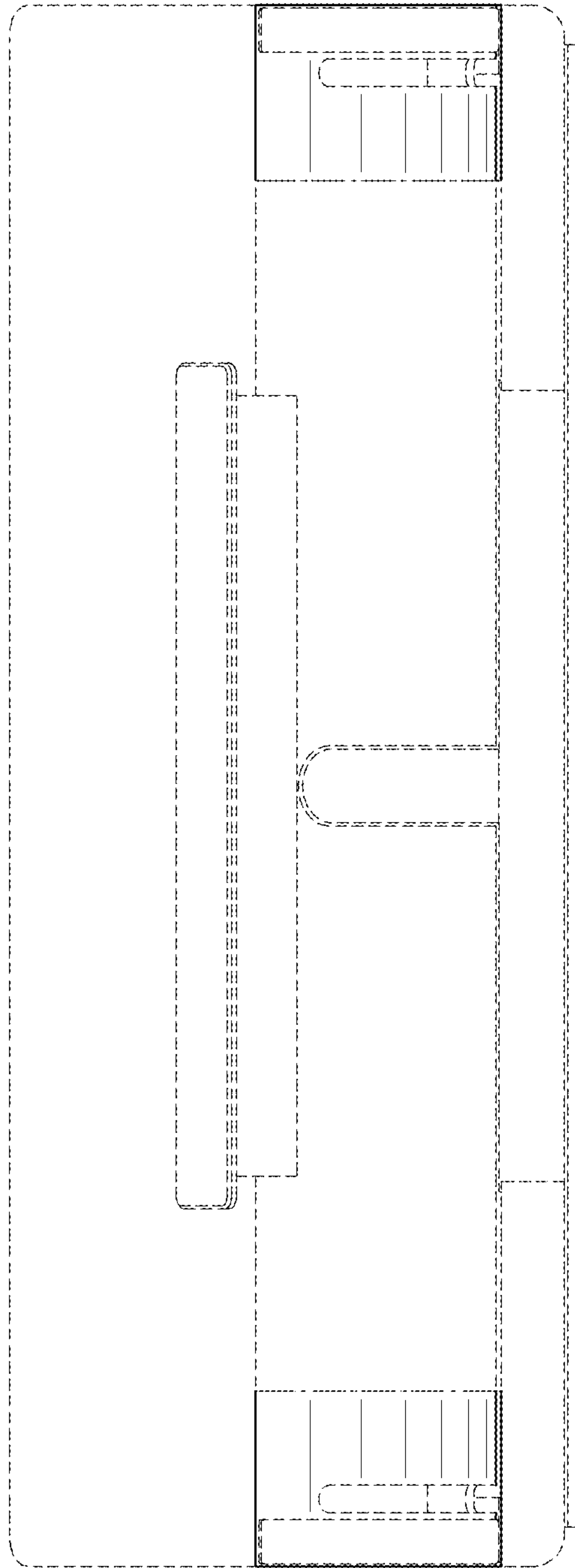


FIG. 2



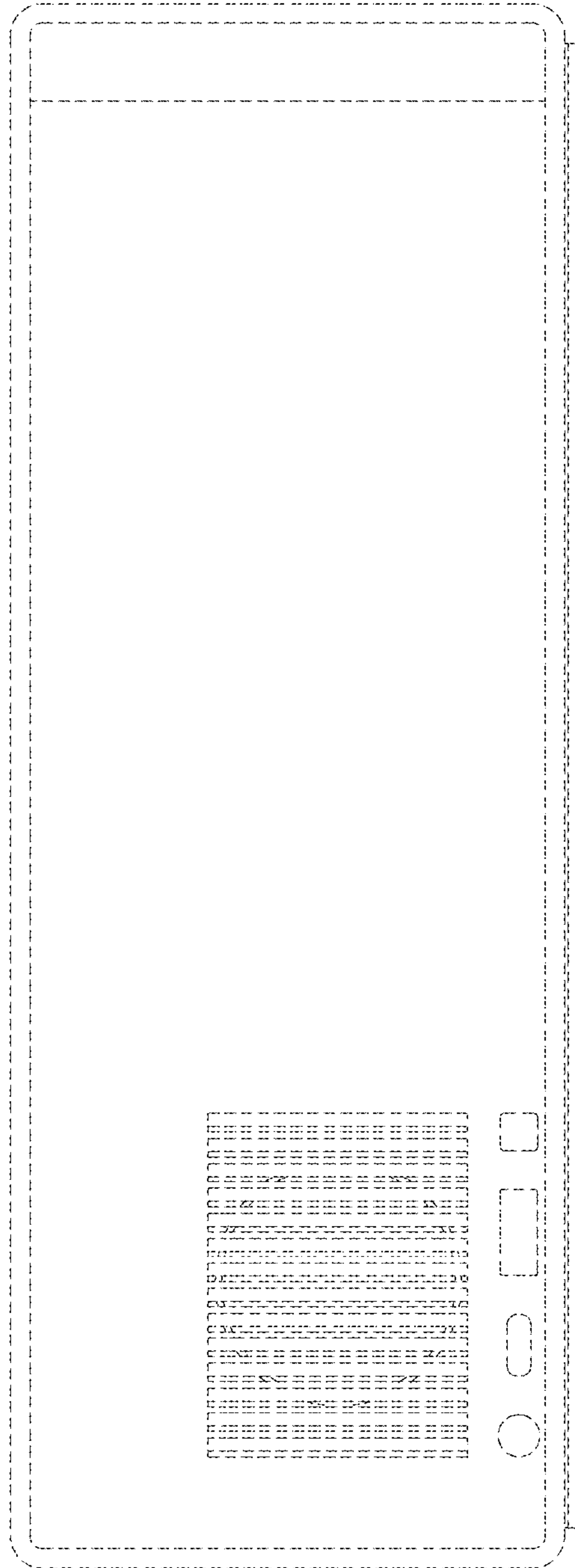


FIG. 3

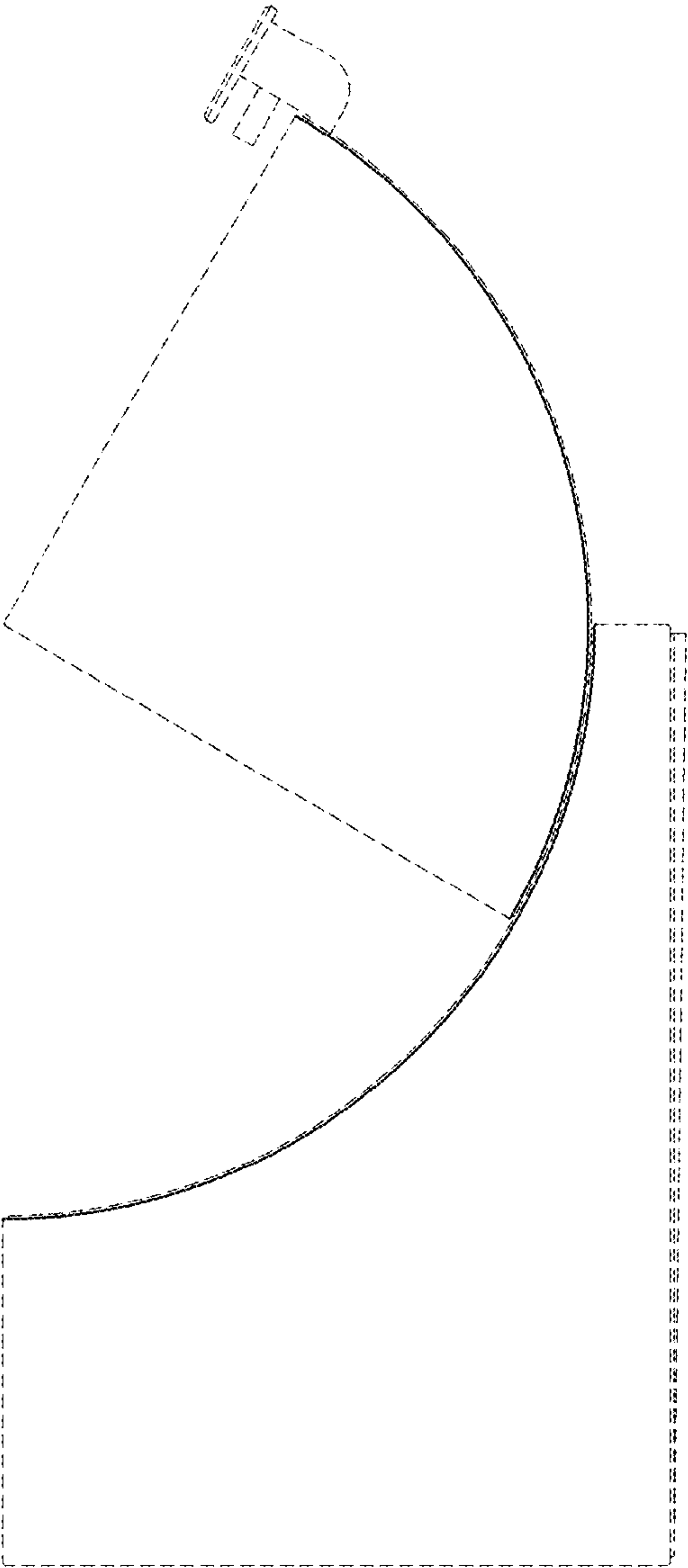


FIG. 4

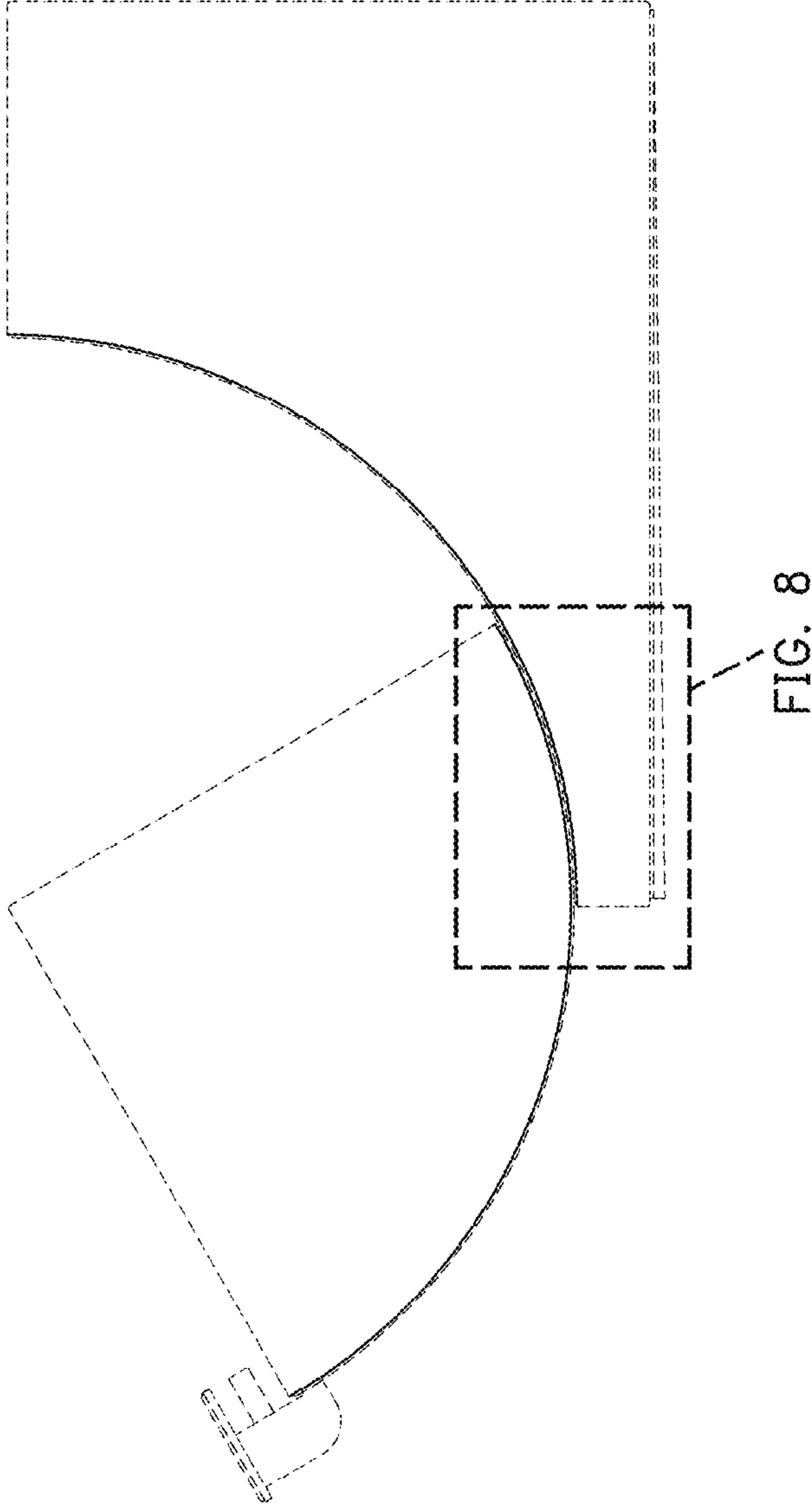


FIG. 5

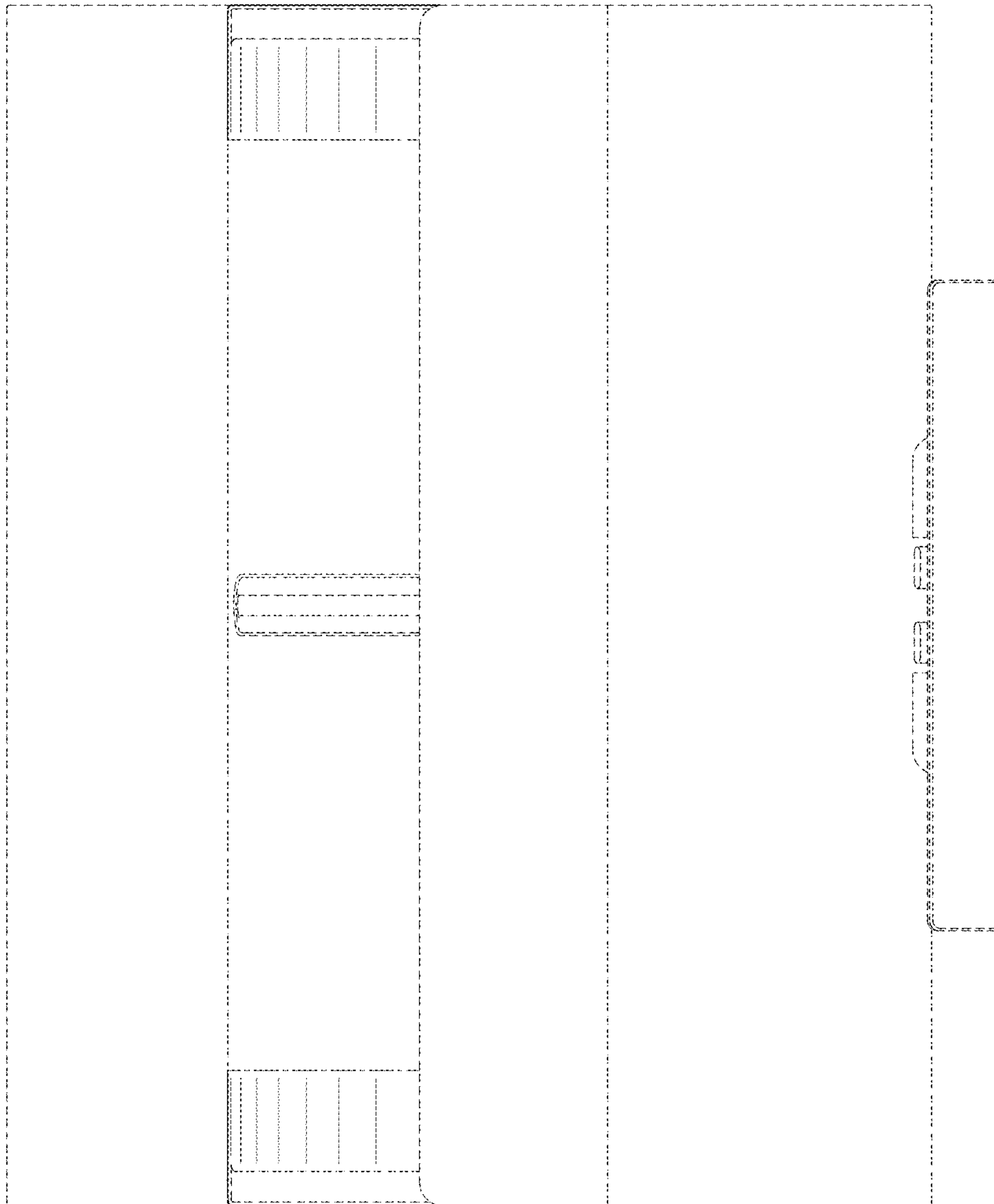


FIG. 6



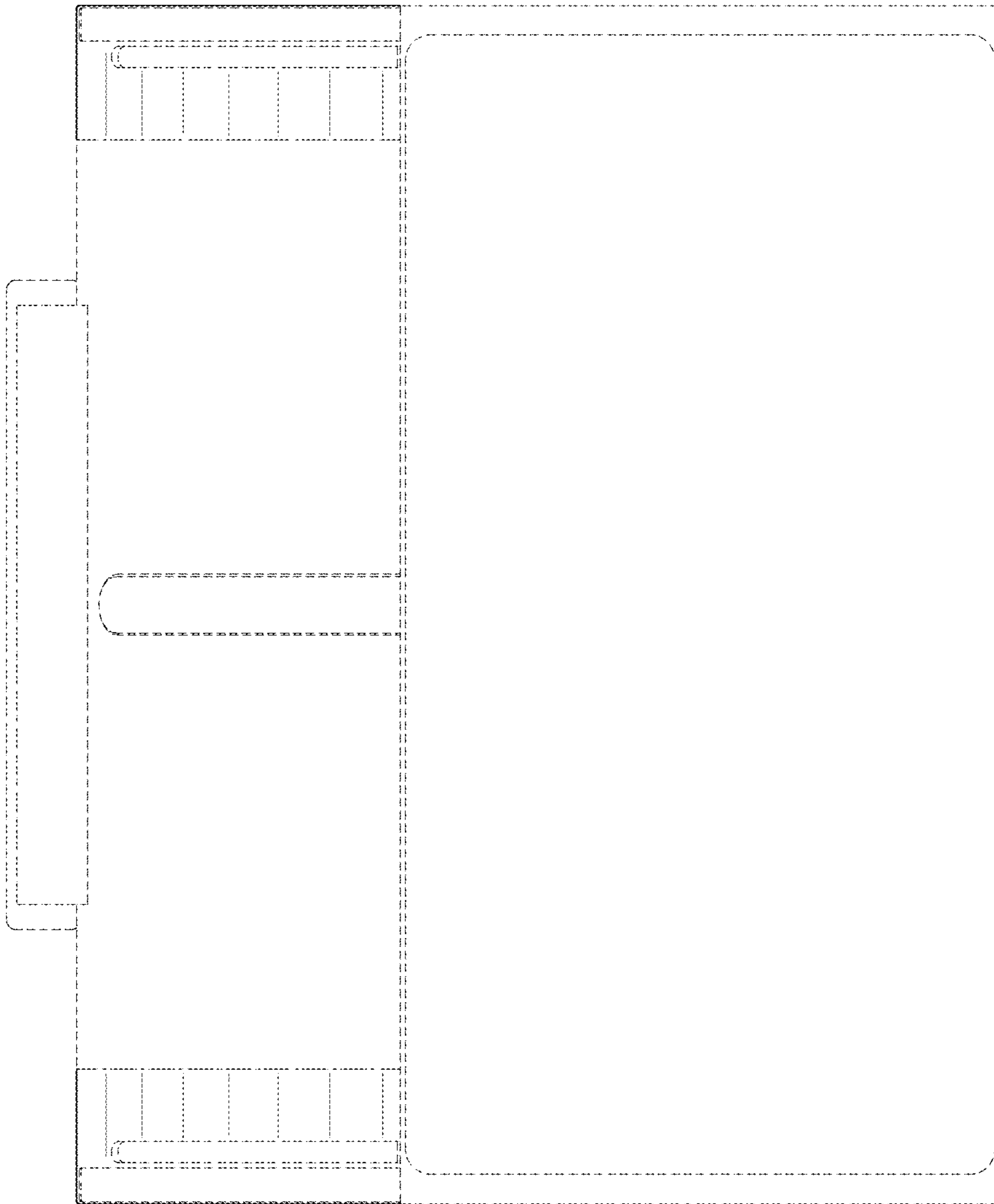


FIG. 7

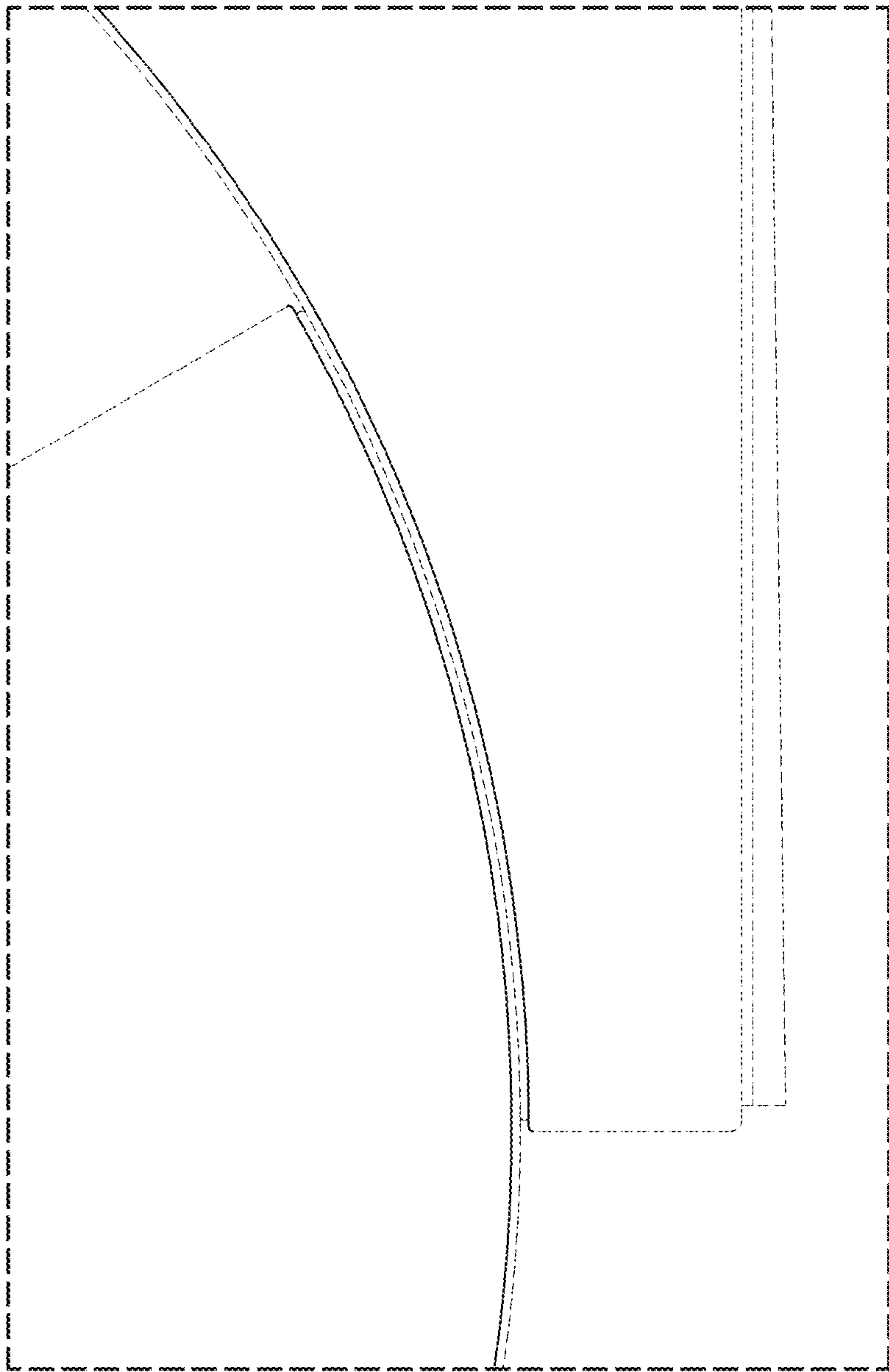


FIG. 8

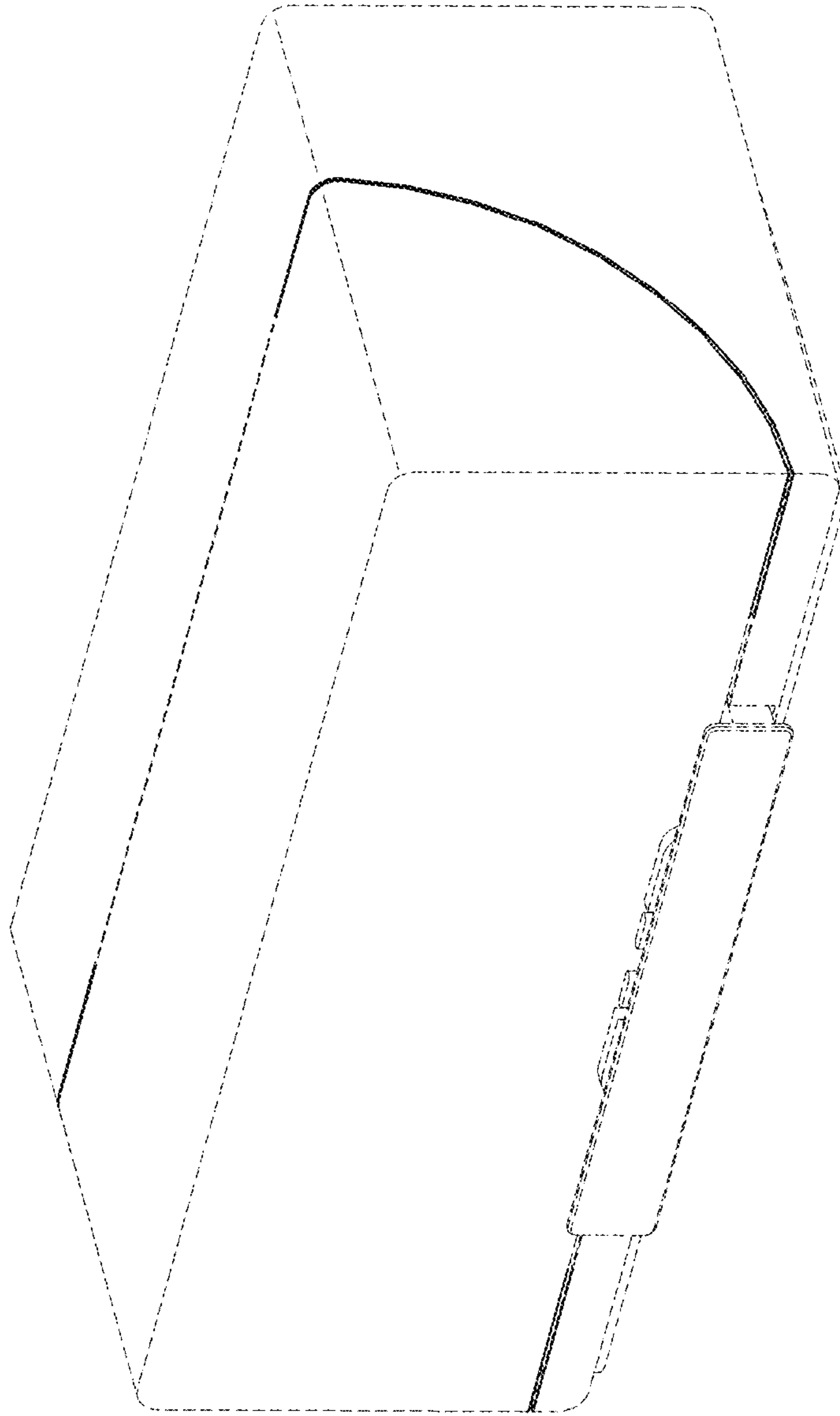


FIG. 9

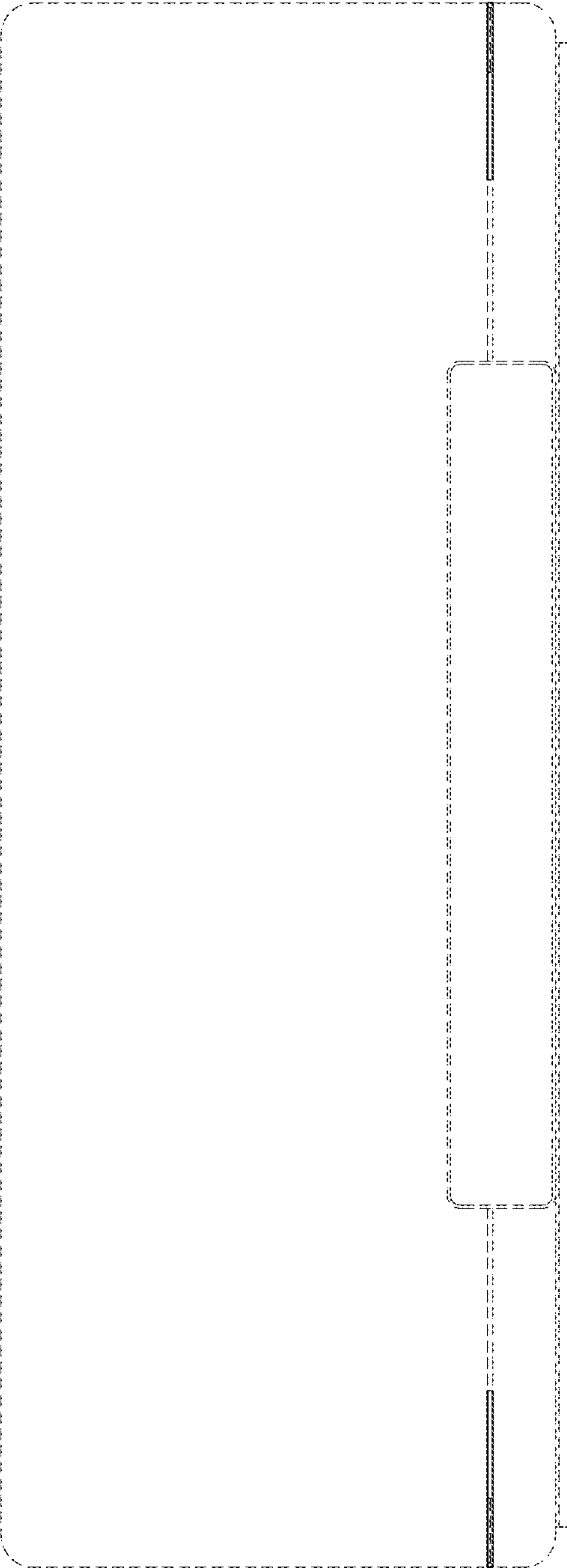


FIG. 10

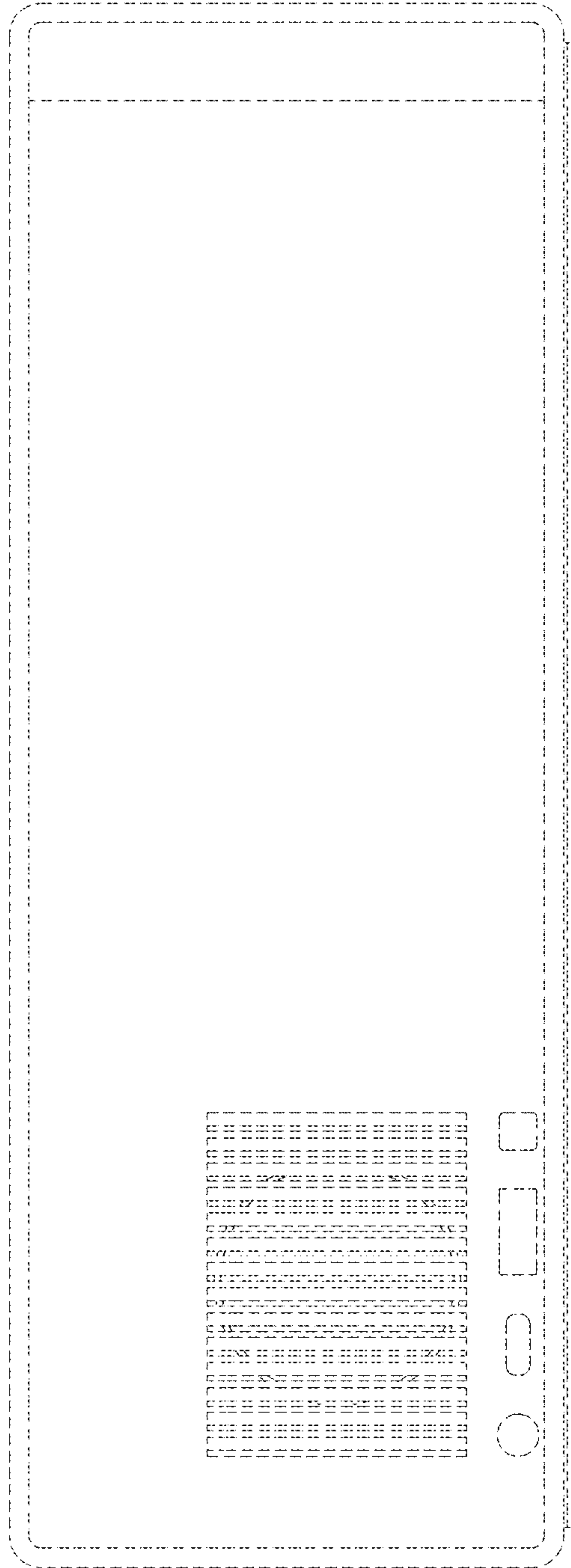


FIG. 11

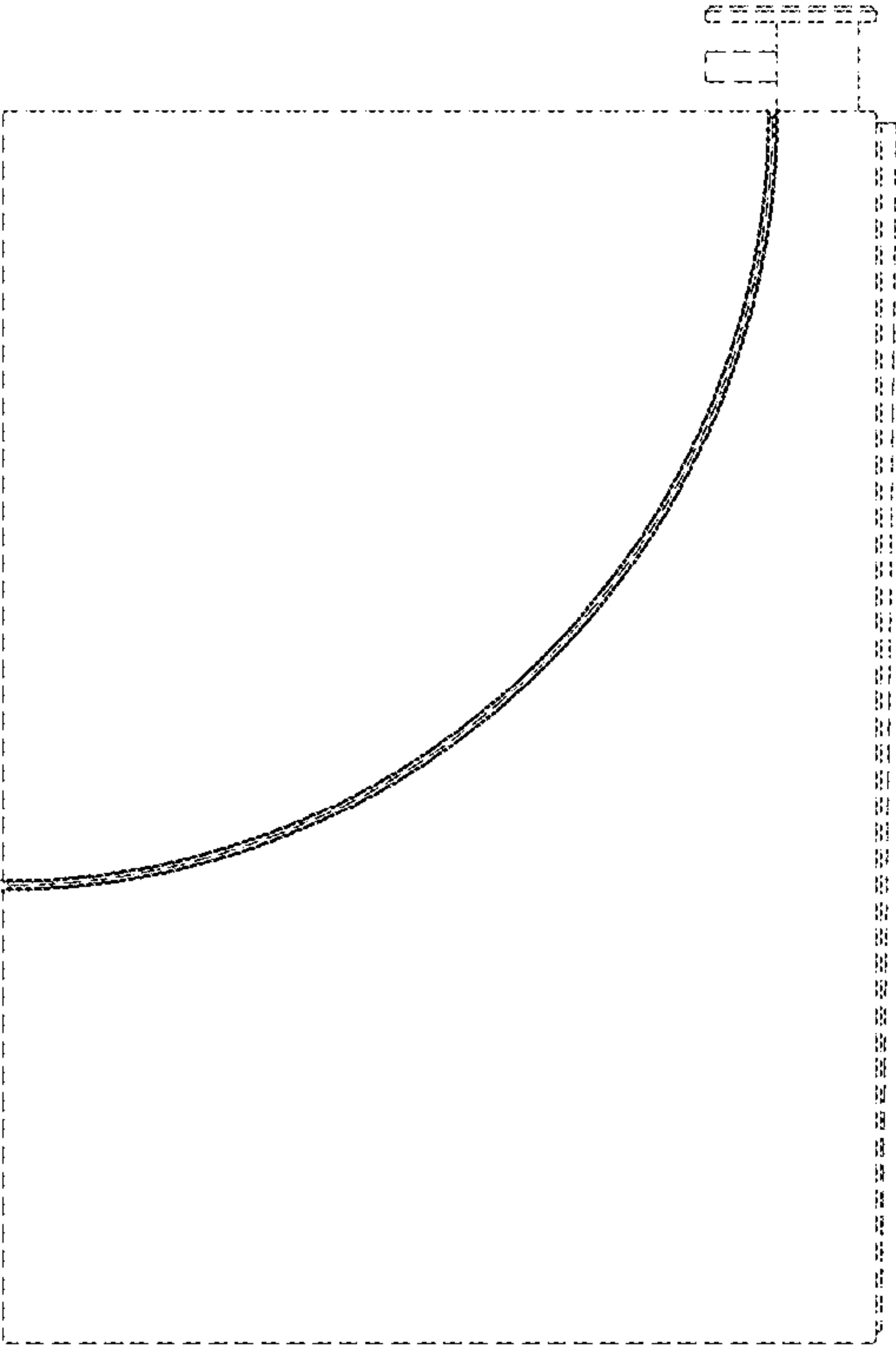


FIG. 12



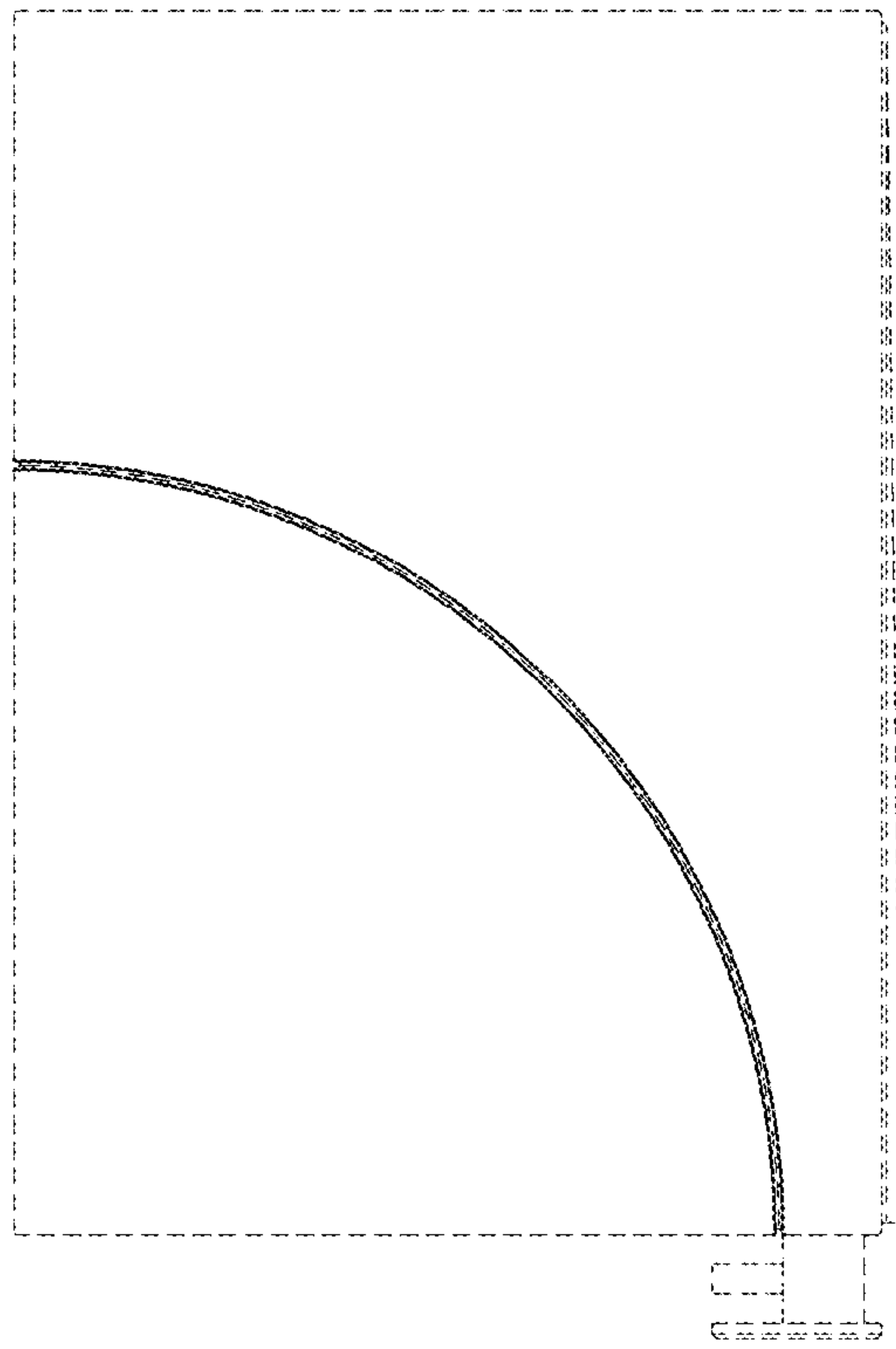


FIG. 13

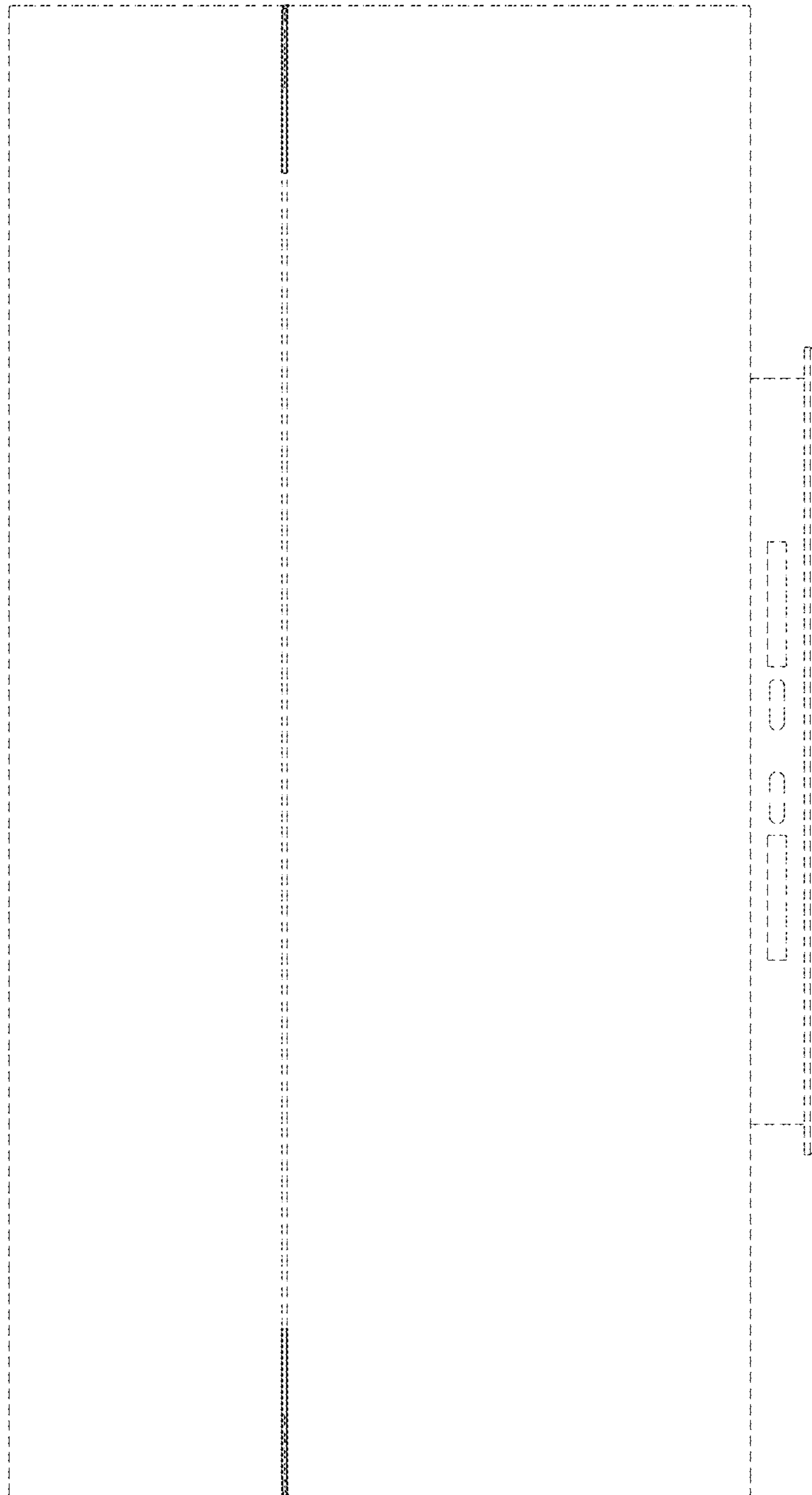


FIG. 14

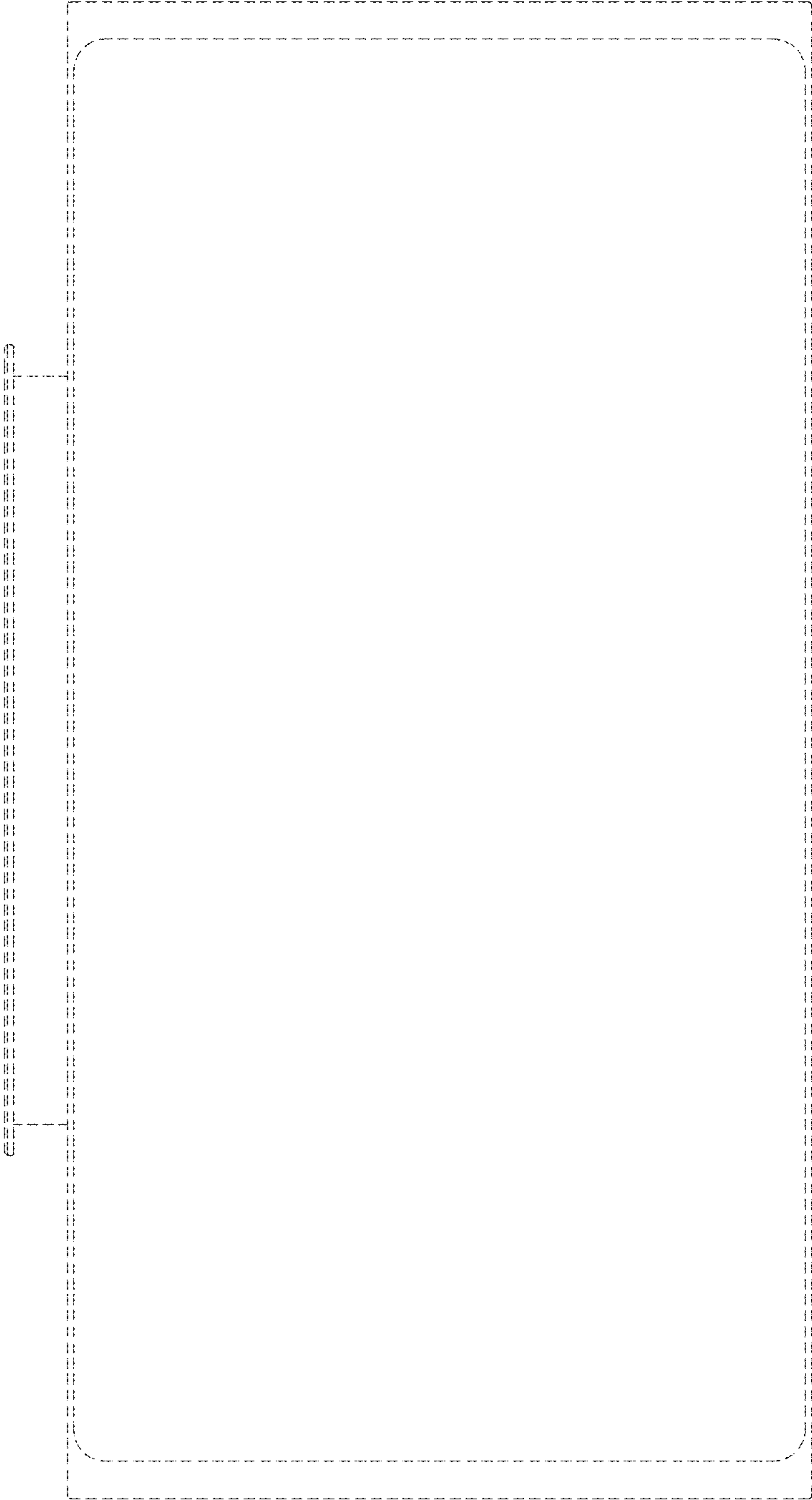


FIG. 15