



US00D820259S

(12) **United States Design Patent**
Lee et al.

(10) **Patent No.:** **US D820,259 S**
(45) **Date of Patent:** **** Jun. 12, 2018**

(54) **HEAD MOUNTED DISPLAY**

DESCRIPTION

(71) Applicant: **Mitsubishi Electric Corporation**,
Tokyo (JP)

(72) Inventors: **Hongkue Lee**, Tokyo (JP); **Ian Emerson Random**, Tokyo (JP); **Jun Kondo**, Tokyo (JP)

(73) Assignee: **Mitsubishi Electric Corporation**,
Tokyo (JP)

(**) Term: **15 Years**

(21) Appl. No.: **29/589,536**

(22) Filed: **Jan. 3, 2017**

(30) **Foreign Application Priority Data**

Jul. 6, 2016	(JP)	2016-014374
Jul. 6, 2016	(JP)	2016-014375

(51) **LOC (11) Cl.** **14-02**

(52) **U.S. Cl.**

USPC	D14/372
------	-------	----------------

(58) **Field of Classification Search**

USPC	D14/372, 496, 432, 371, 125, 126, 129, D14/299; D16/300-342; 351/158, 153, (Continued)
------	-------	--

FIG. 1 is a front, top and right side perspective view of a head mounted display of a first embodiment, showing our new design;

FIG. 2 is a rear, bottom and left side perspective view thereof;

FIG. 3 is a front view thereof;

FIG. 4 is a rear view thereof;

FIG. 5 is a top view thereof;

FIG. 6 is a bottom view thereof;

FIG. 7 is a right side view thereof;

FIG. 8 is a left side view thereof;

FIG. 9 is a perspective view showing the state raising the screen thereof;

FIG. 10 is a right side view showing the state raising the screen thereof;

FIG. 11 is a partially enlarged cross-sectional view taken along center line thereof;

FIG. 12 is a partially enlarged cross-sectional view taken along center line showing the state raising the screen thereof;

FIG. 13 is a front, top and right side perspective view of a head mounted display of a second embodiment, showing our new design;

FIG. 14 is a rear, bottom and left side perspective view thereof;

FIG. 15 is a front view thereof;

FIG. 16 is a rear view thereof;

FIG. 17 is a top view thereof;

FIG. 18 is a bottom view thereof;

FIG. 19 is a right side view thereof;

FIG. 20 is a left side view thereof;

FIG. 21 is a perspective view showing the state raising the screen thereof;

FIG. 22 is a right side view showing the state raising the screen thereof;

FIG. 23 is a partially enlarged cross-sectional view taken along center line thereof; and,

FIG. 24 is a partially enlarged cross-sectional view taken along center line showing the state raising the screen thereof.

(Continued)

(56) **References Cited**

U.S. PATENT DOCUMENTS

D719,953 S	*	12/2014	Nokuo	D14/372
D753,111 S	*	4/2016	Fei	D14/372

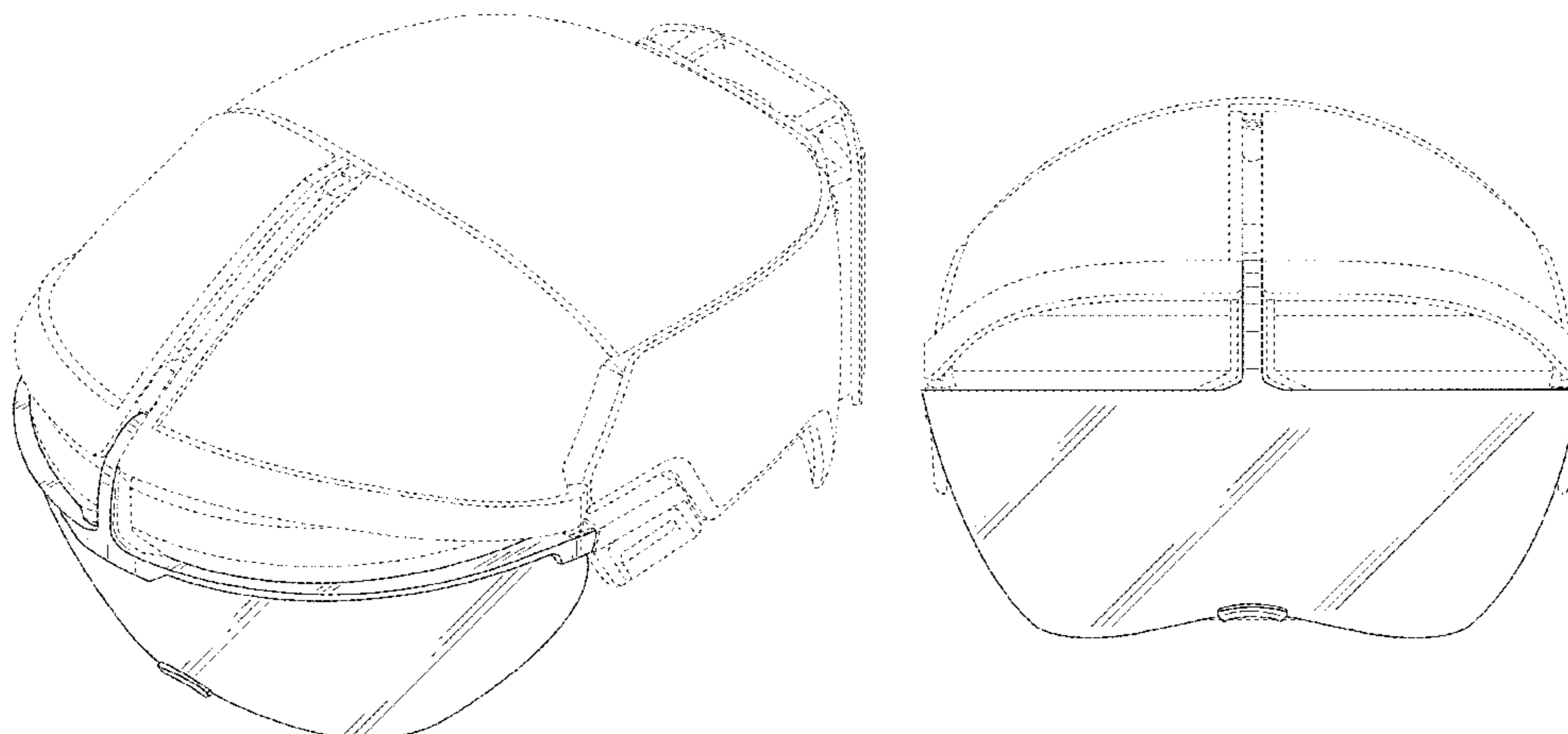
(Continued)

Primary Examiner — Austin Murphy

(74) *Attorney, Agent, or Firm* — Studebaker & Brackett PC

(57) **CLAIM**

The ornamental design for a head mounted display, as shown and described.



The broken lines shown in the figures illustrate portions of the head mounted display and form no part of the claimed design.

1 Claim, 24 Drawing Sheets

(58) **Field of Classification Search**

USPC 351/144; 345/7-9, 905; 455/344;
348/115, 53, 121, 739
CPC G02B 27/017; G02B 27/0158; G02B
27/0161; G02B 27/0181; G02B 27/0185;
G02B 27/0189

See application file for complete search history.

(56) **References Cited**

U.S. PATENT DOCUMENTS

D785,619 S *	5/2017	Su	D14/372
D798,298 S *	9/2017	Haber	D14/372
D800,726 S *	10/2017	Su	D14/372
D805,074 S *	12/2017	Hu	D14/372
D806,075 S *	12/2017	Chen	D14/372
D806,710 S *	1/2018	Chen	D14/372
D807,354 S *	1/2018	Yee	D14/372
D807,355 S *	1/2018	Tabata	D14/372
D807,356 S *	1/2018	Chou	D14/372
D807,357 S *	1/2018	Wu	D14/372
D807,358 S *	1/2018	Huang	D14/372

* cited by examiner

FIG. 1

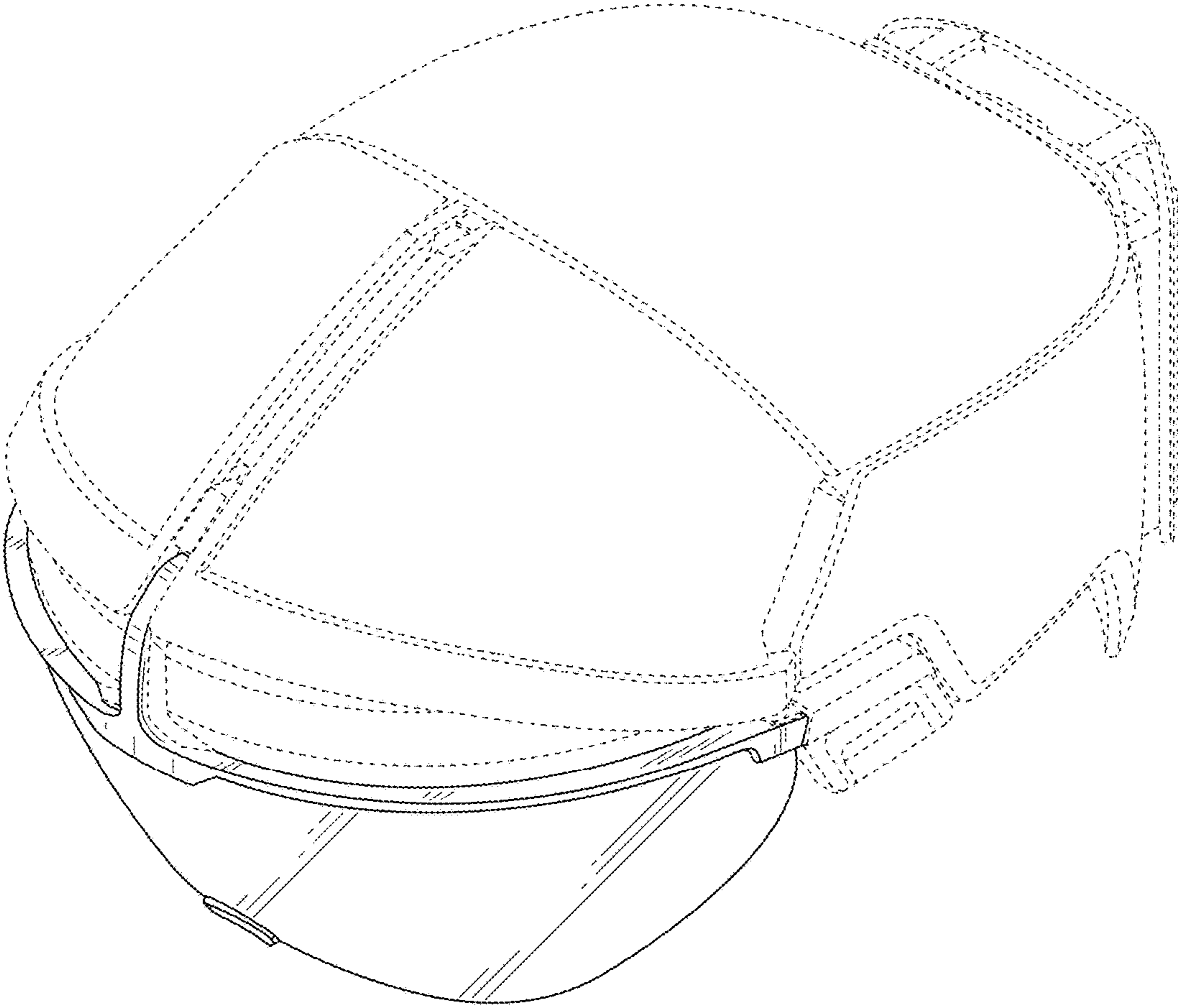


FIG. 2

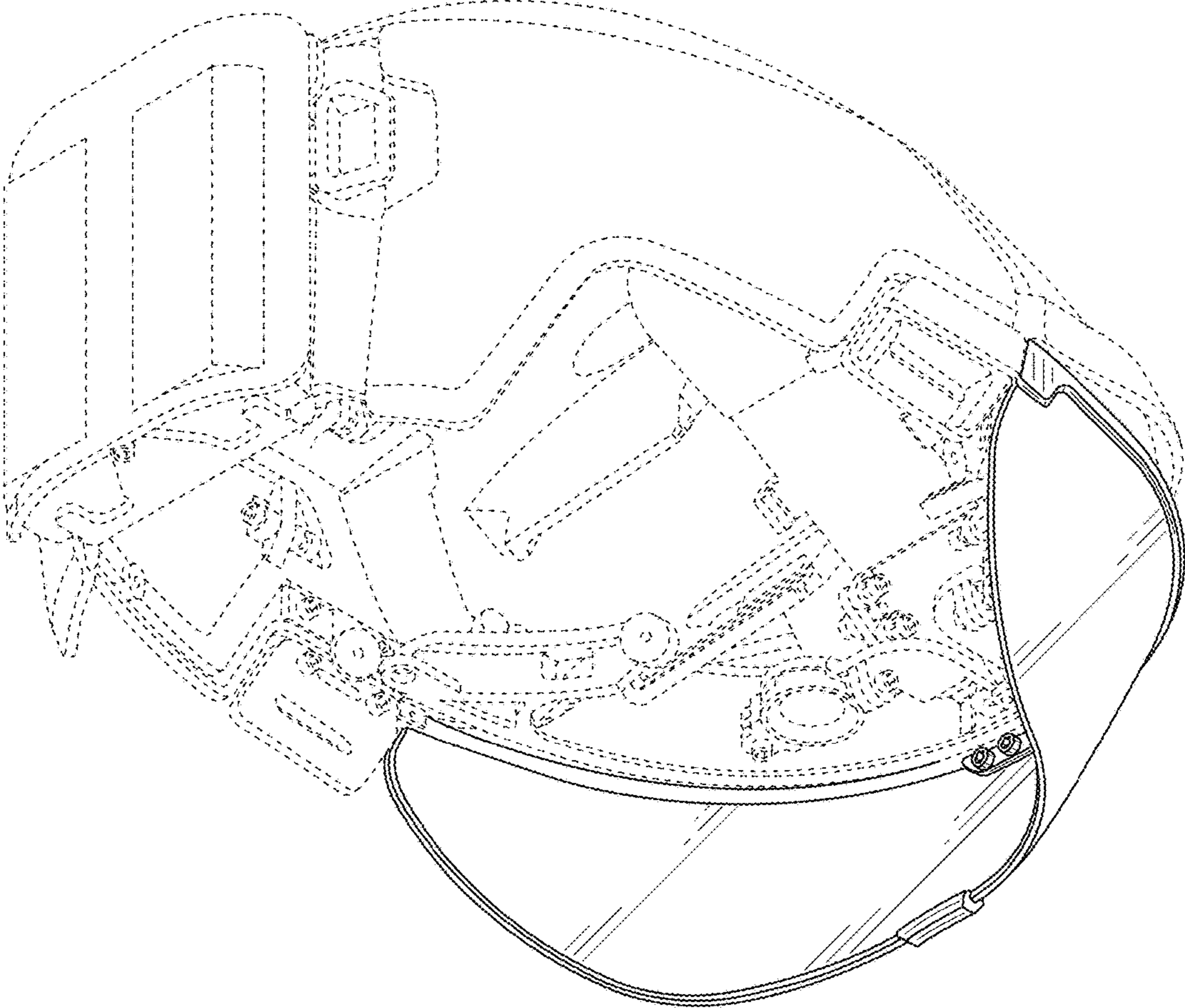


FIG. 3

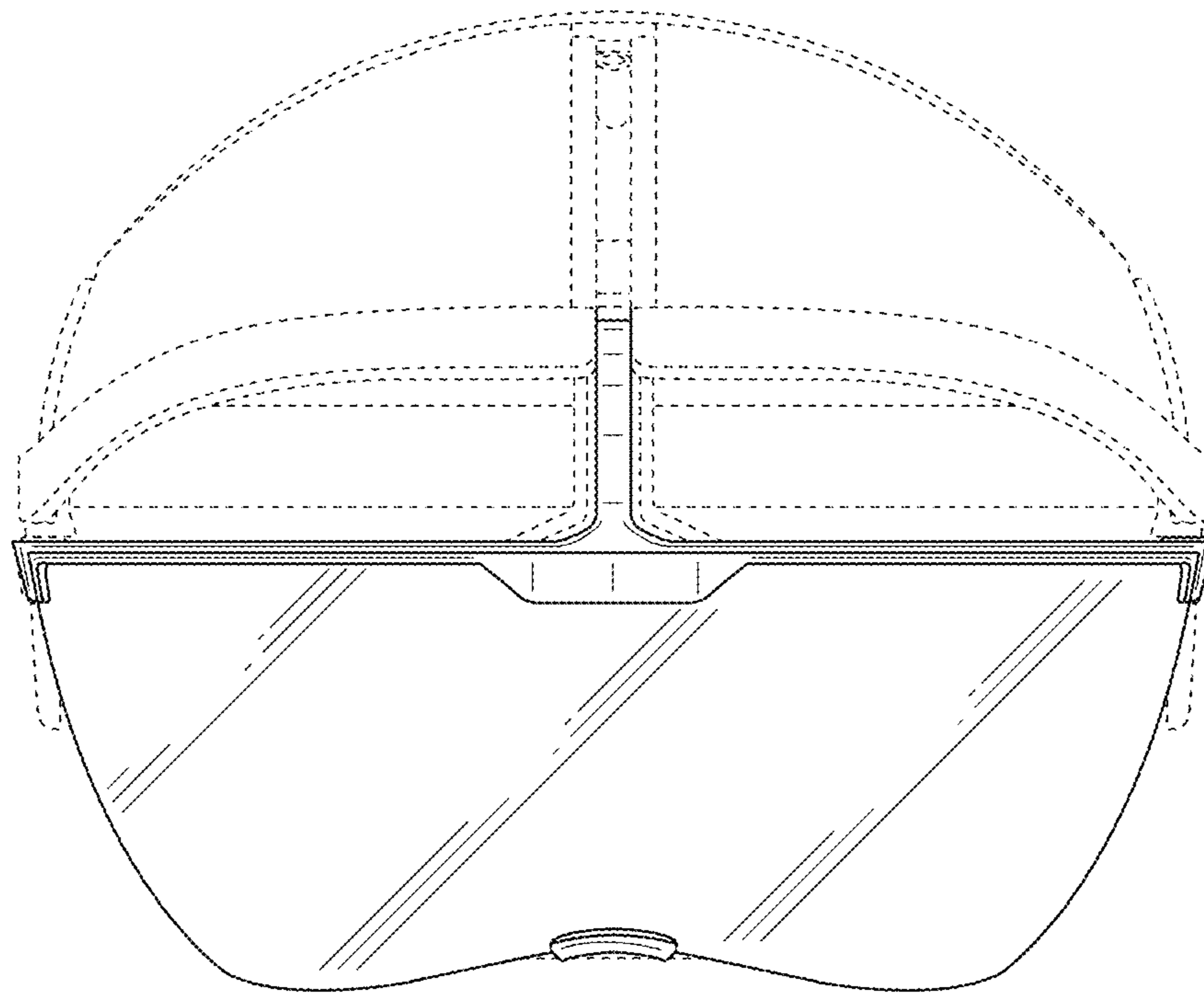


FIG. 4

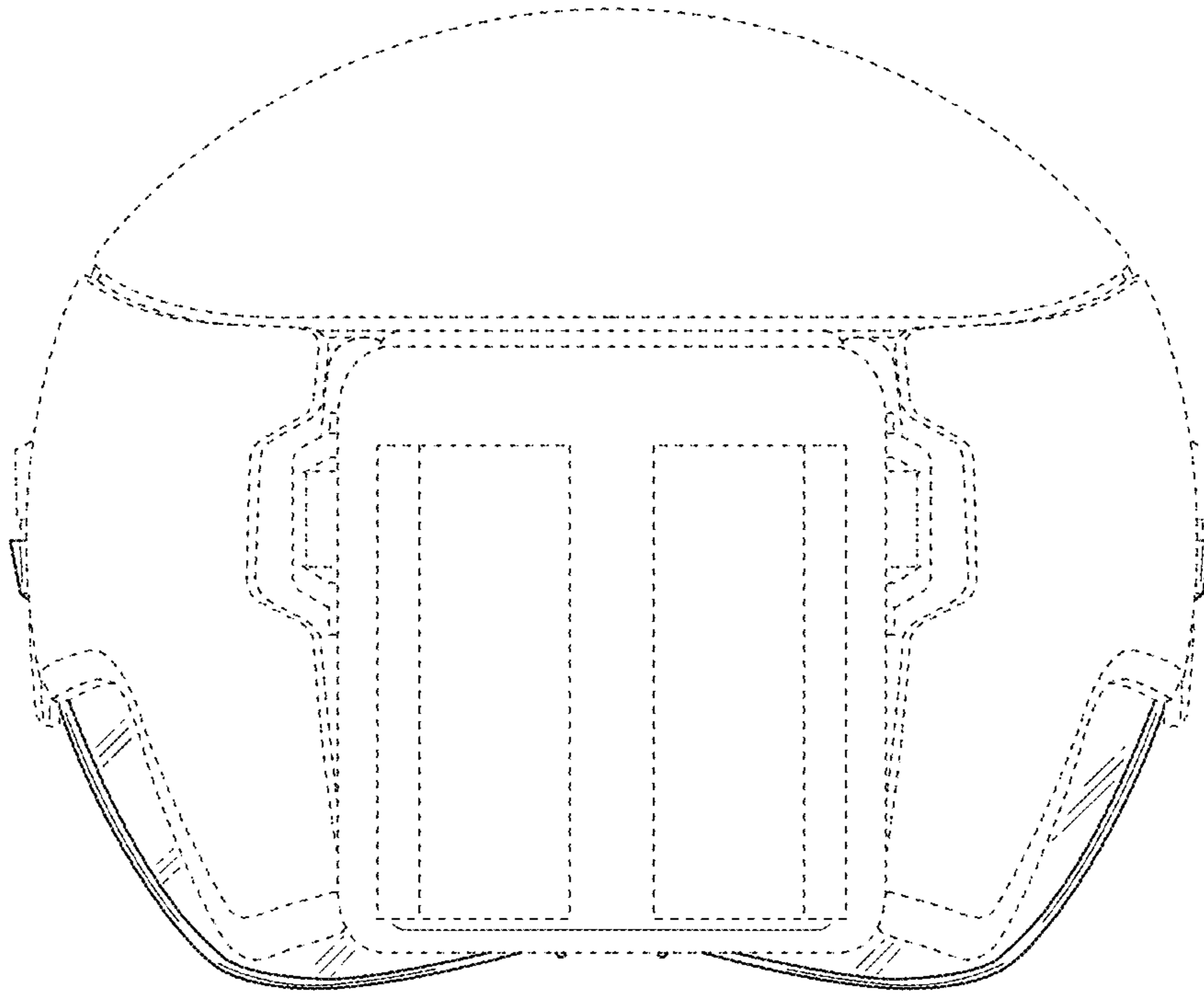


FIG. 5

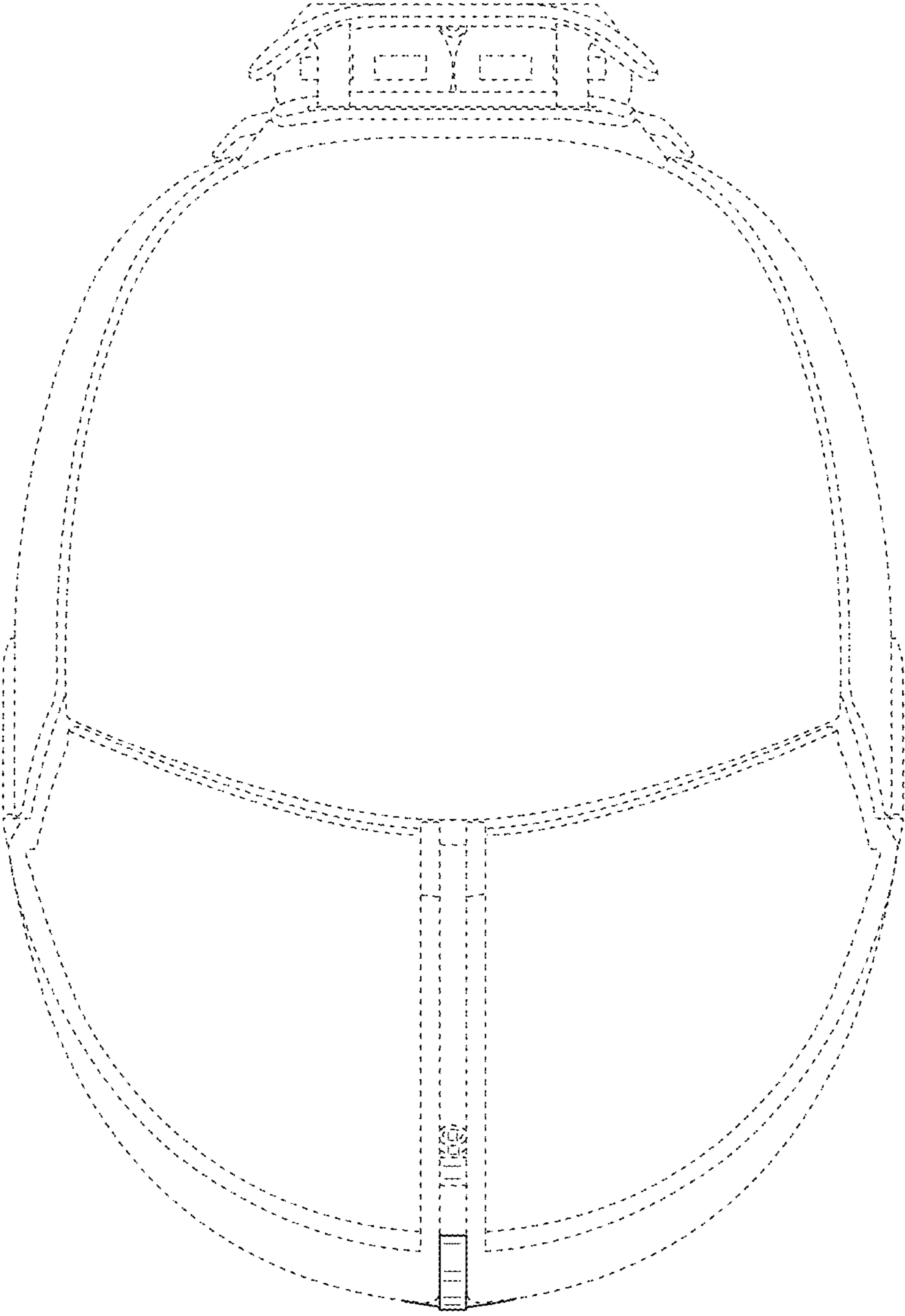


FIG. 6

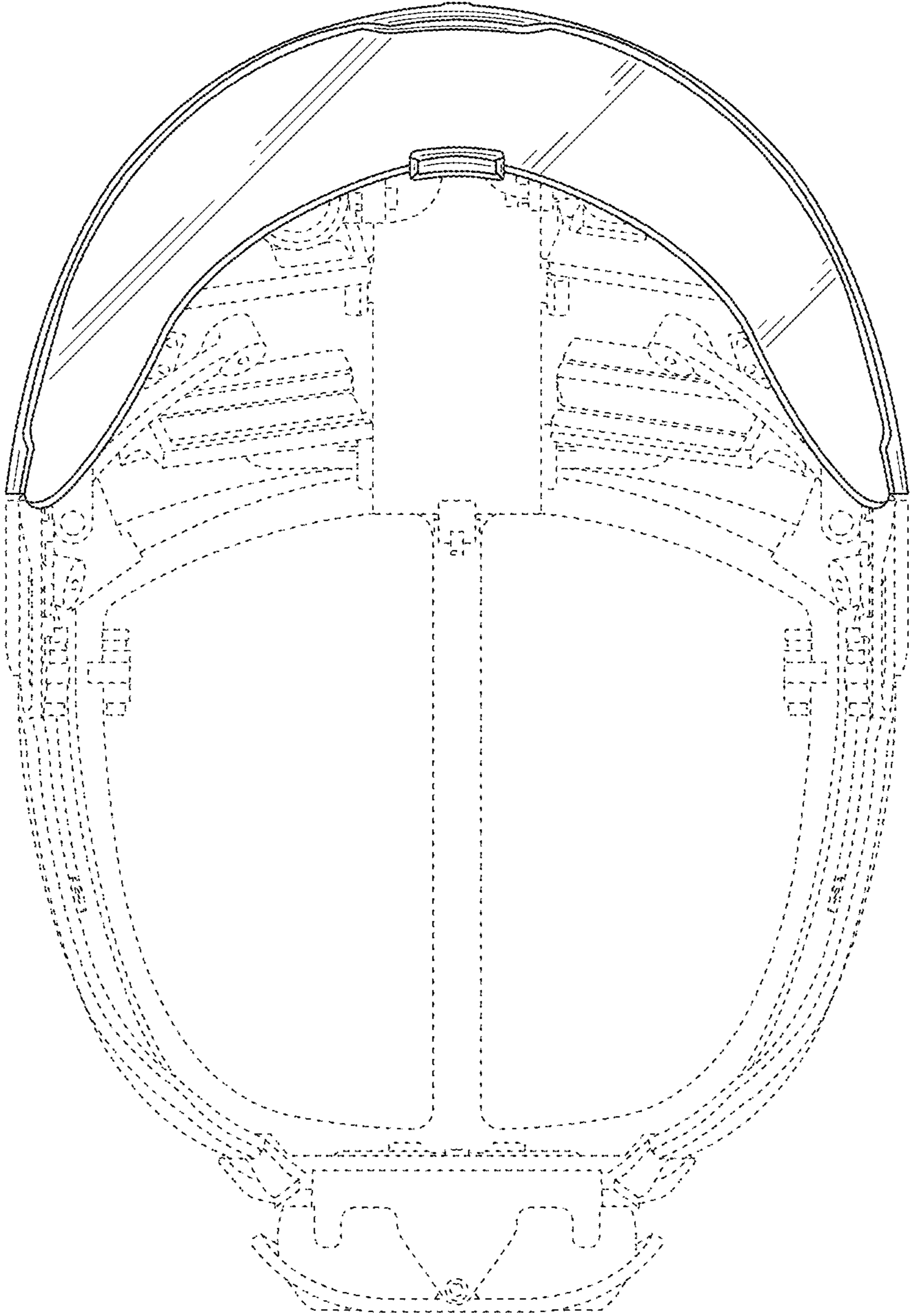


FIG. 7

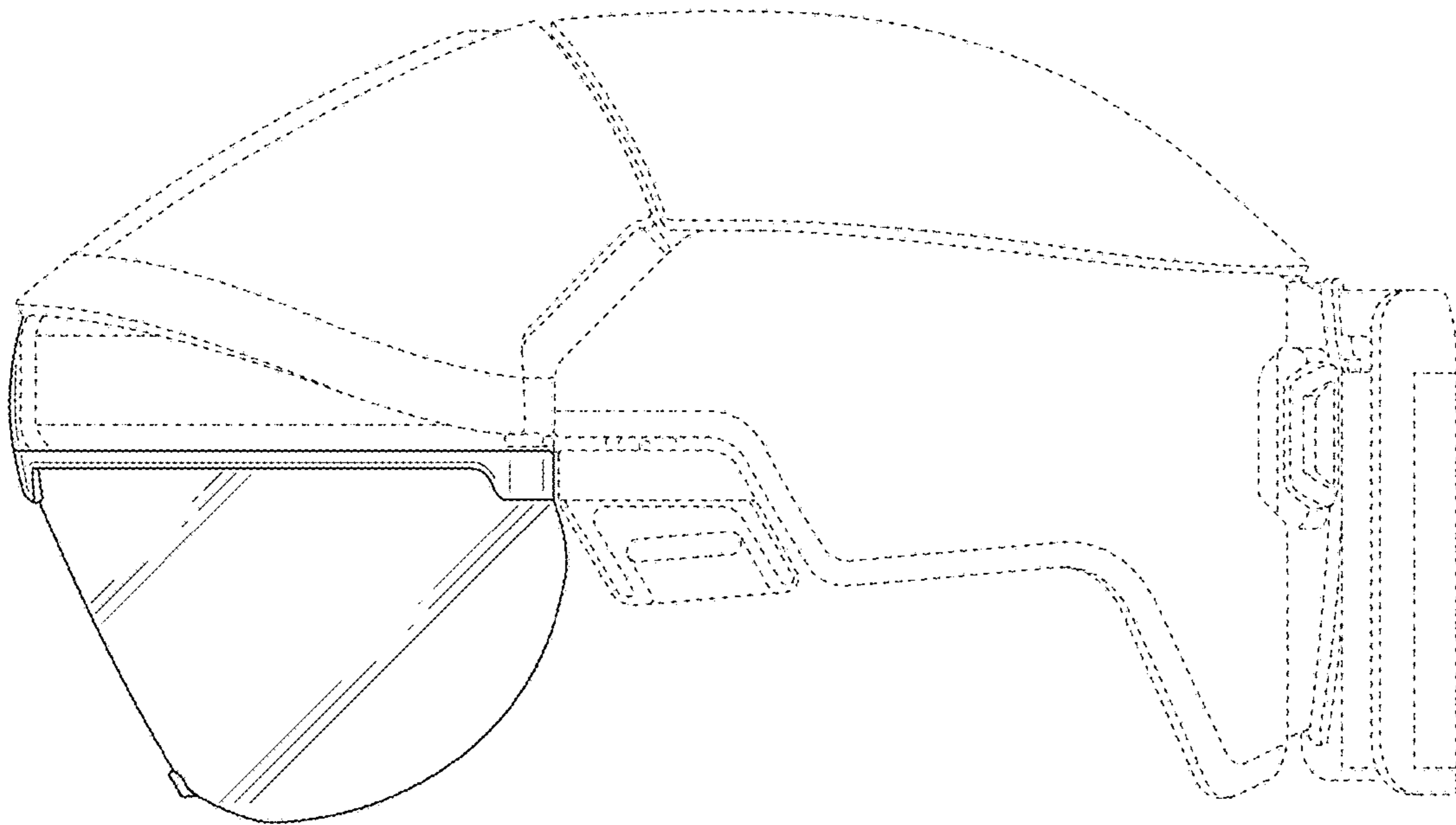


FIG. 8

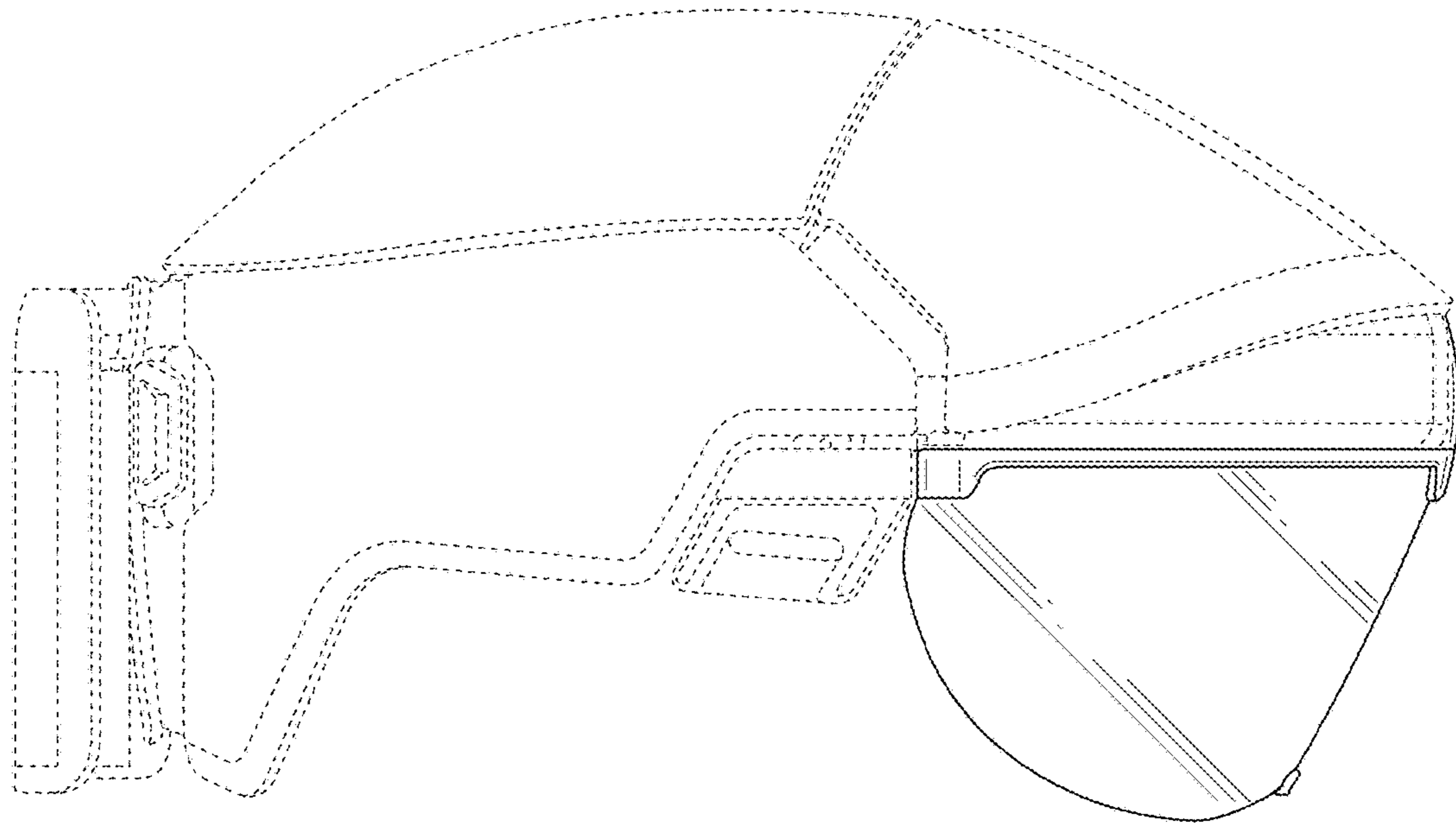


FIG. 9

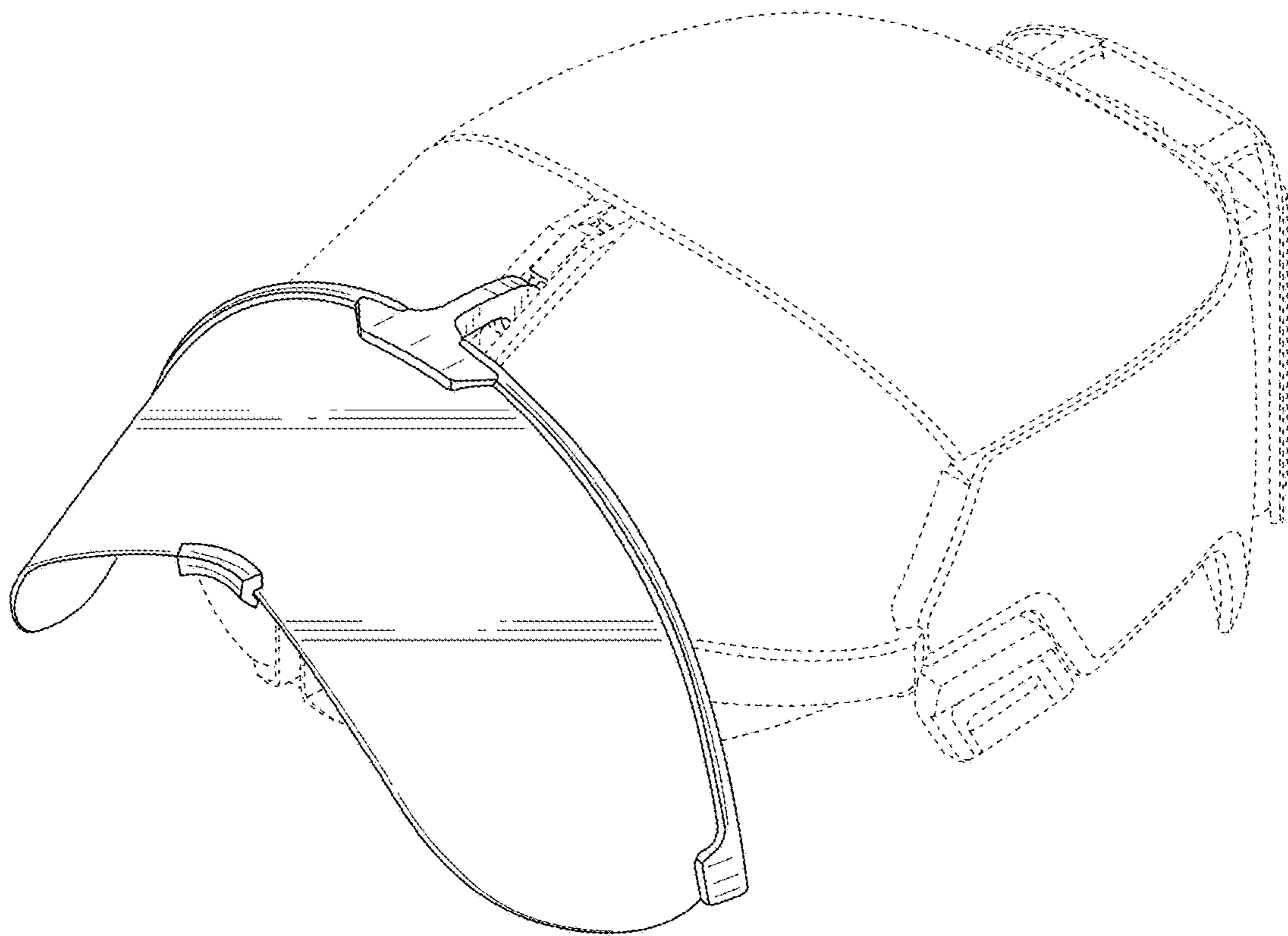


FIG. 10

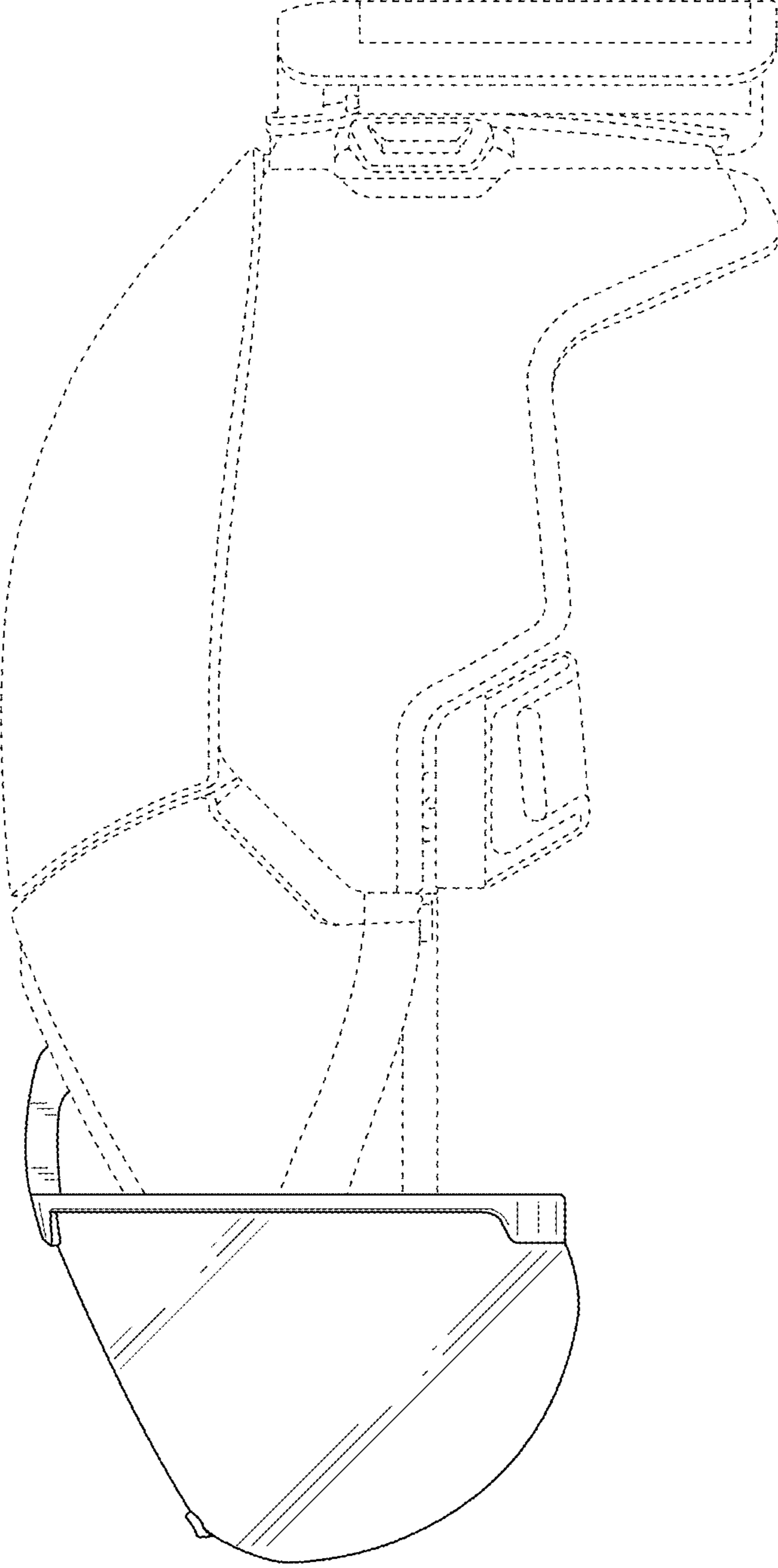


FIG. 11

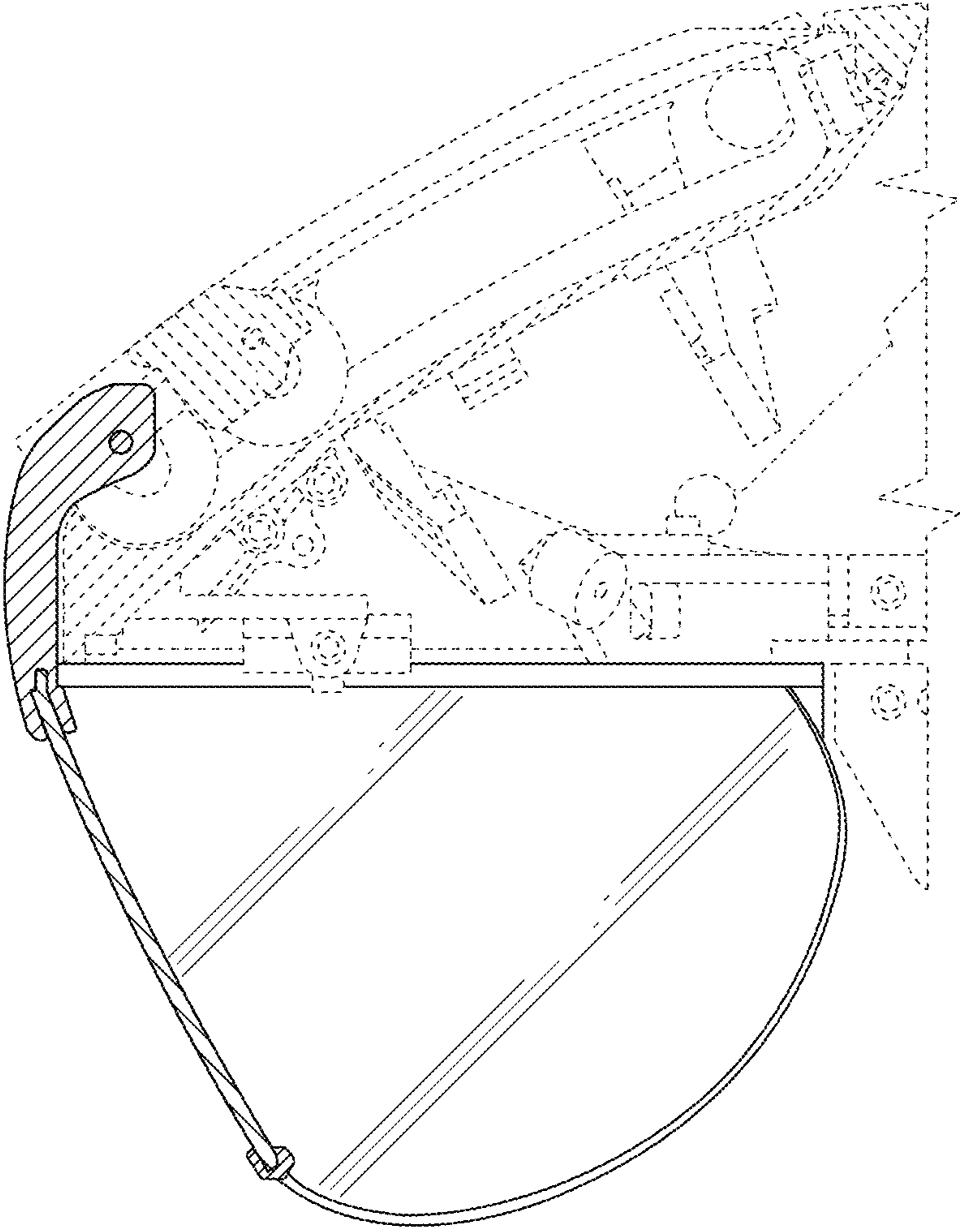


FIG. 12

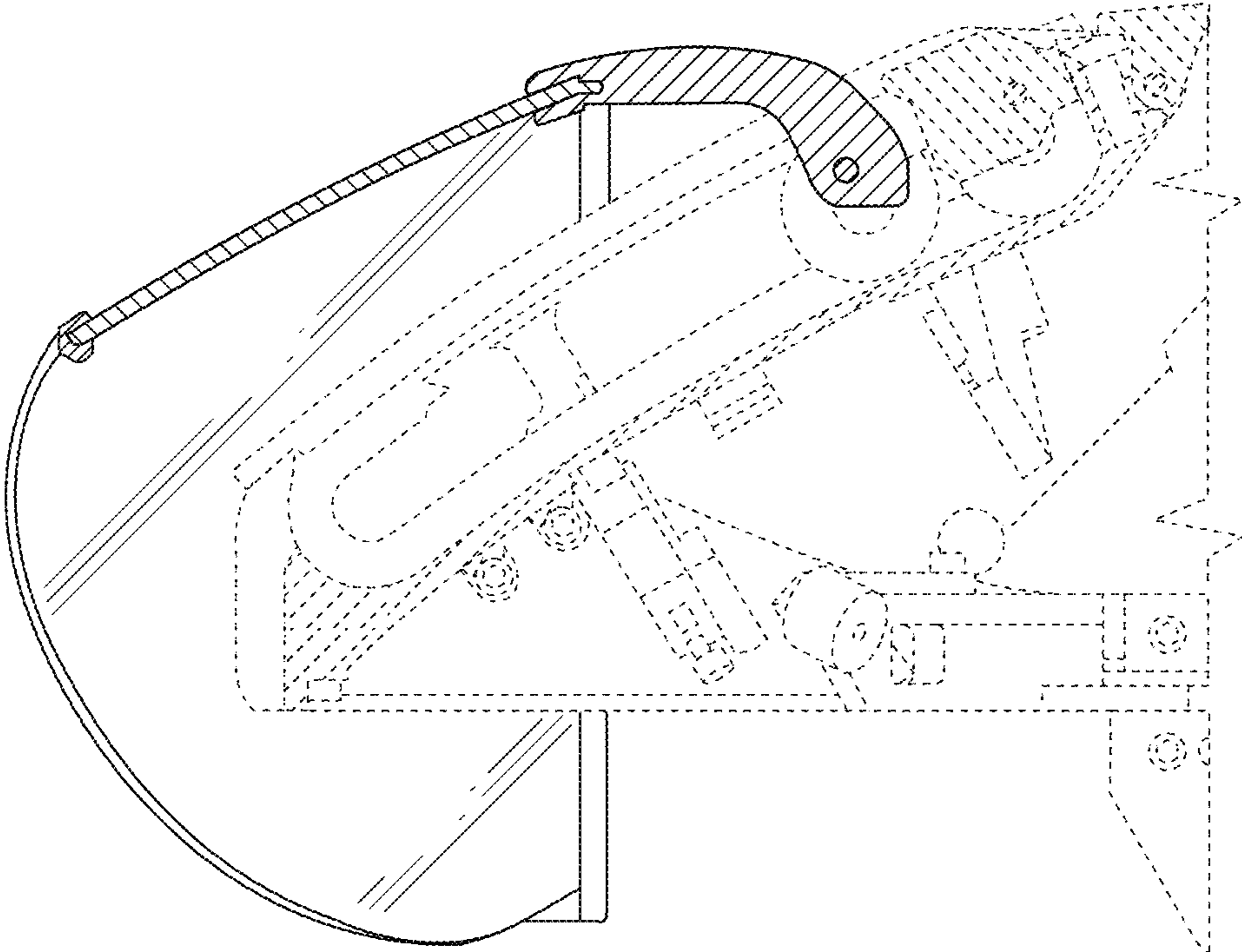


FIG. 13

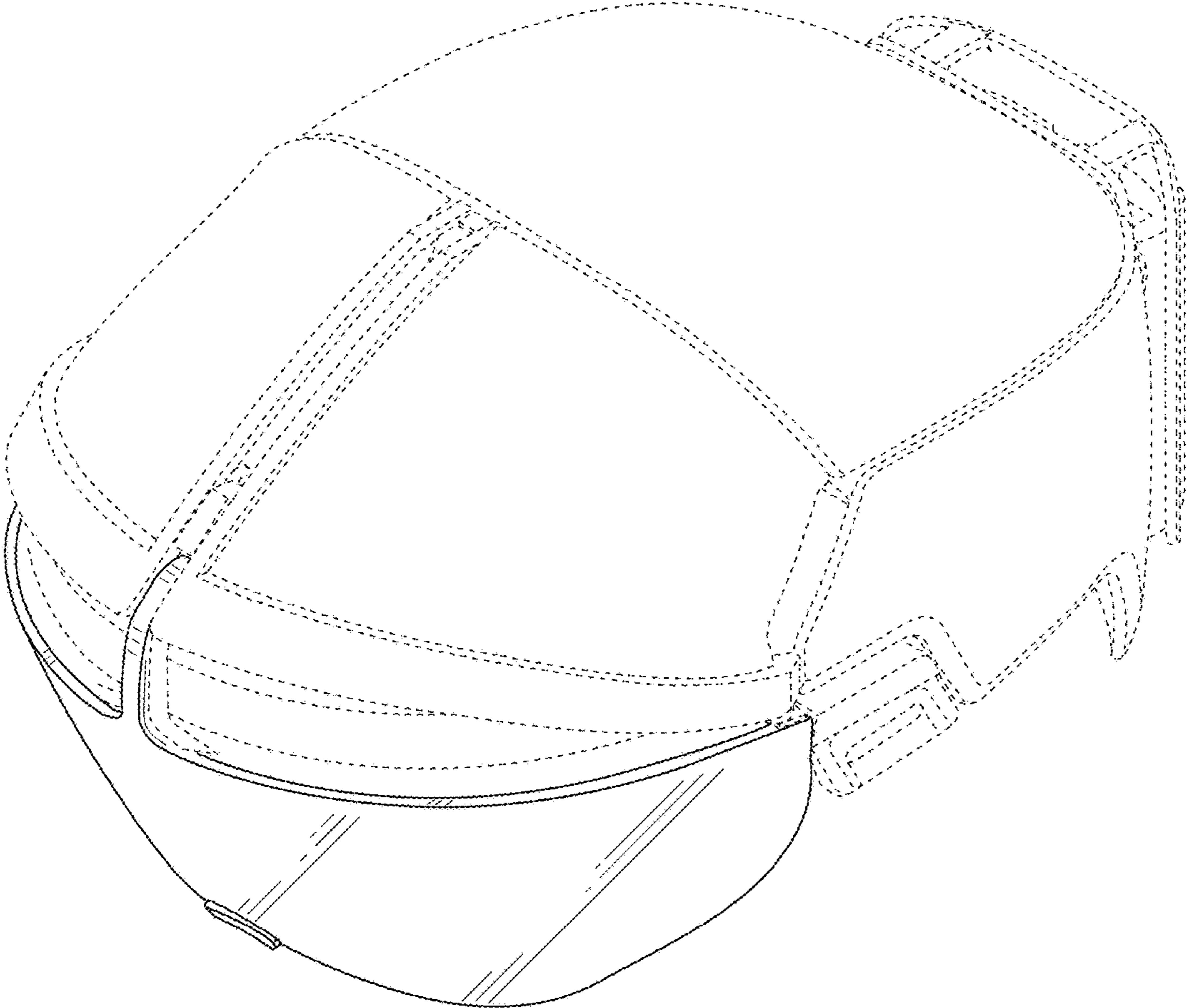


FIG. 14

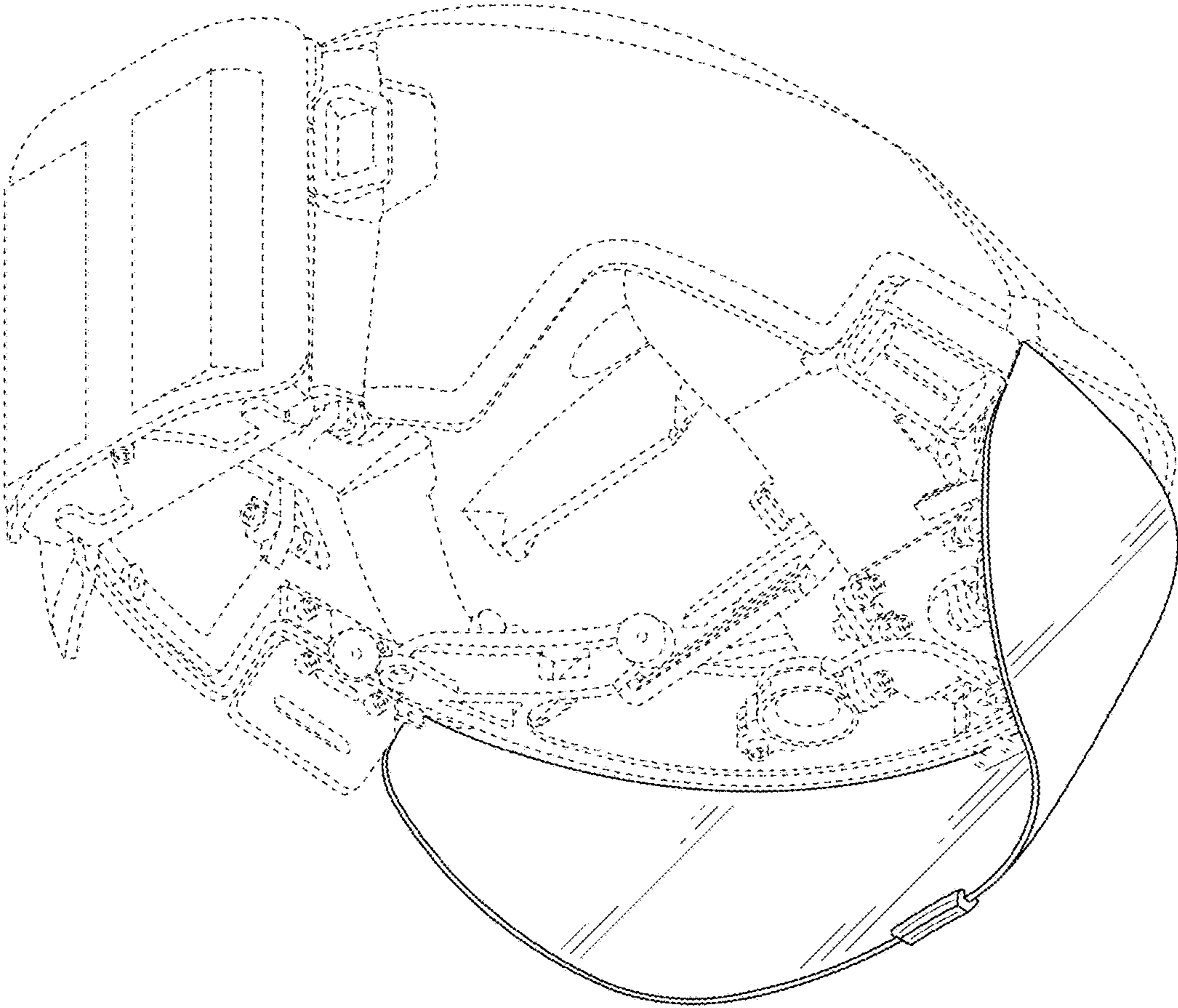


FIG. 15

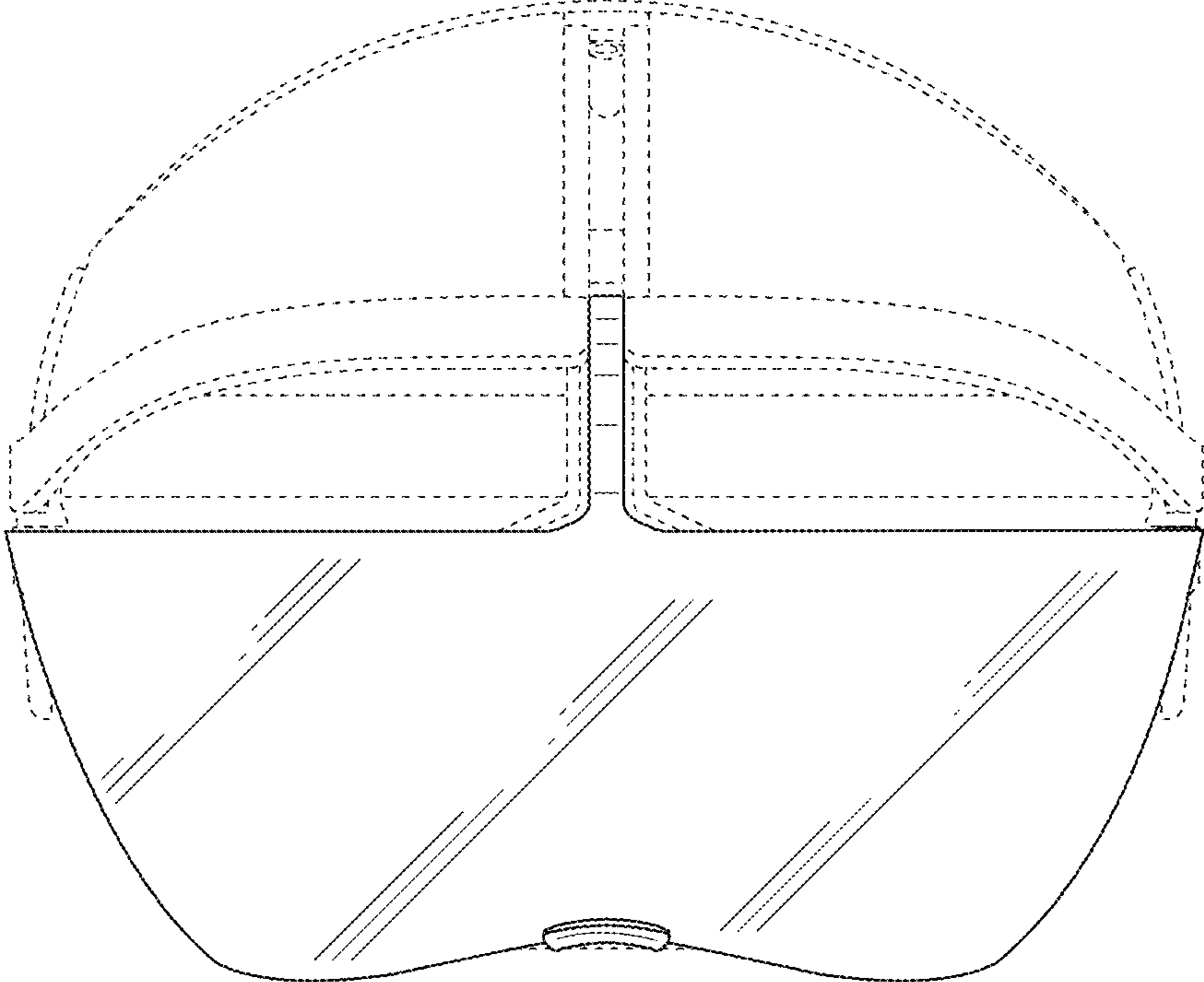


FIG. 16

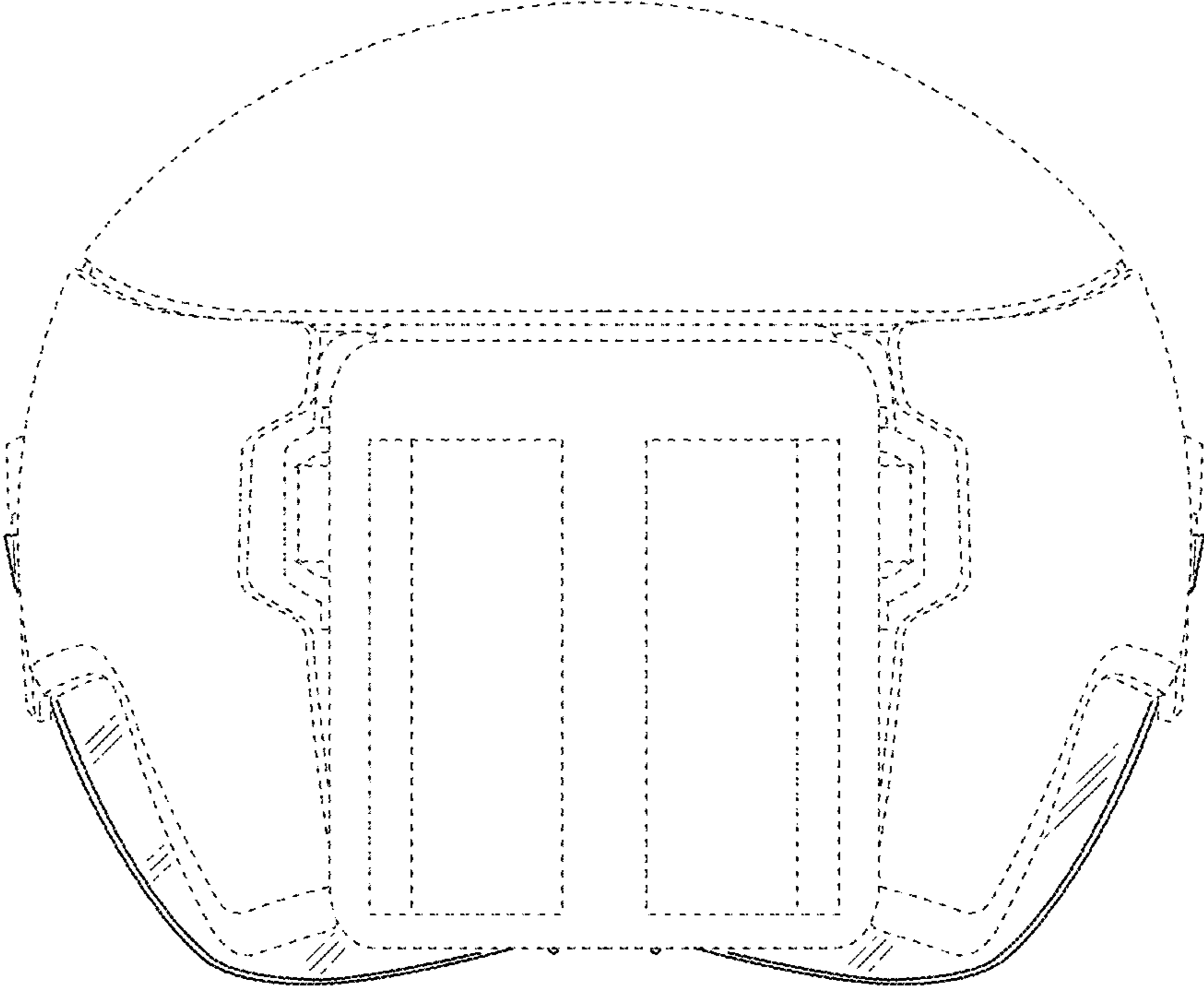


FIG. 17

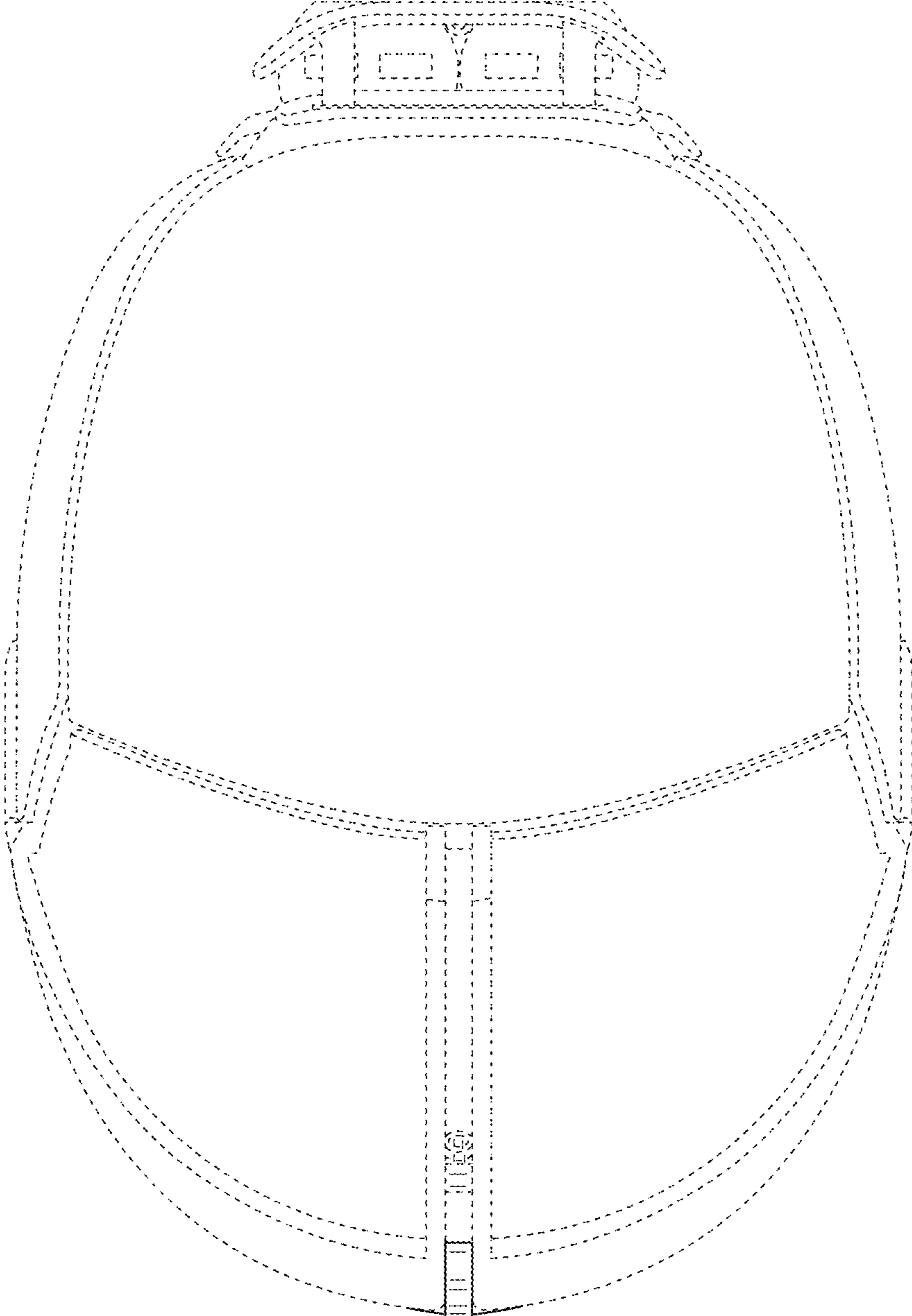


FIG. 18

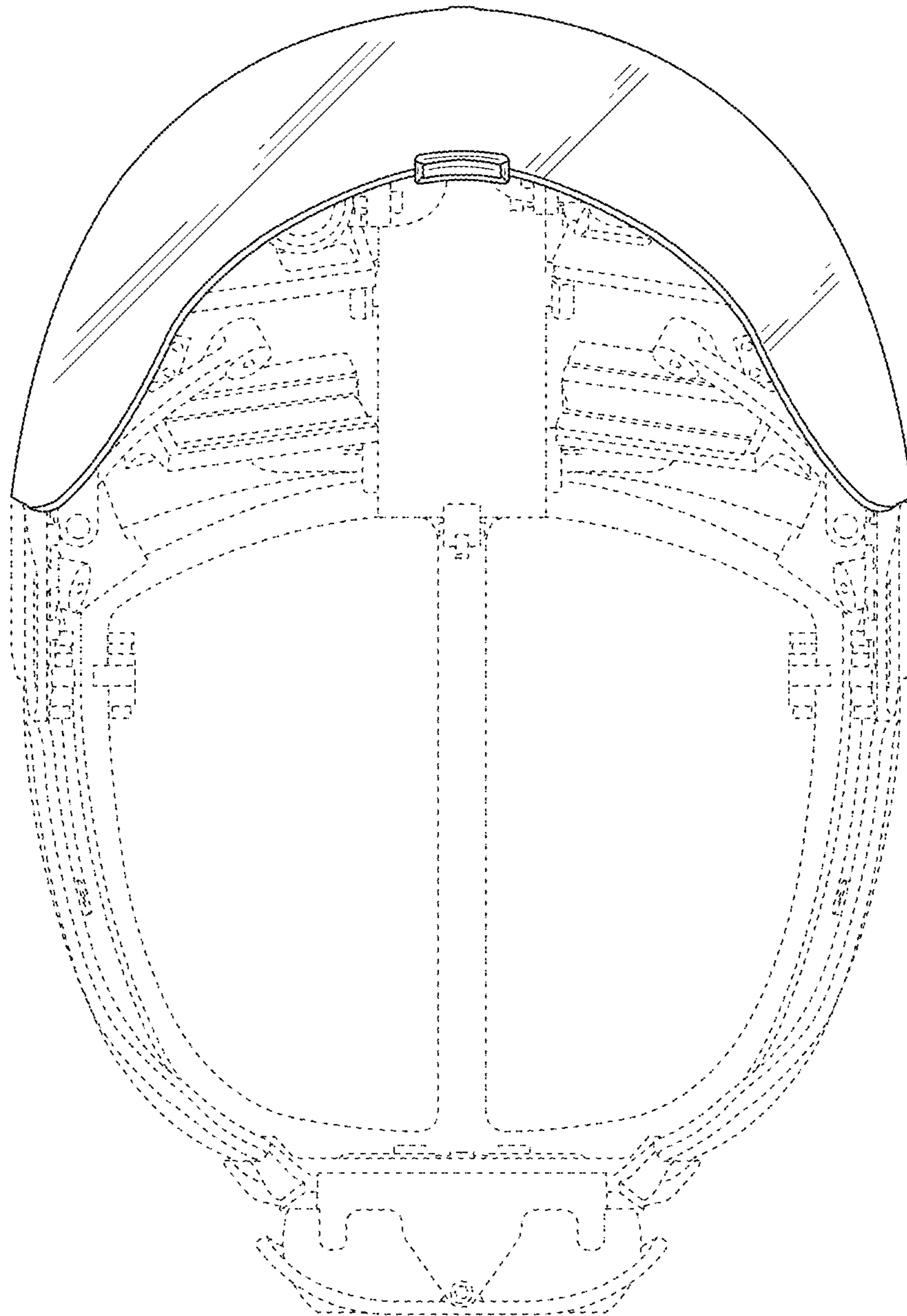


FIG. 19

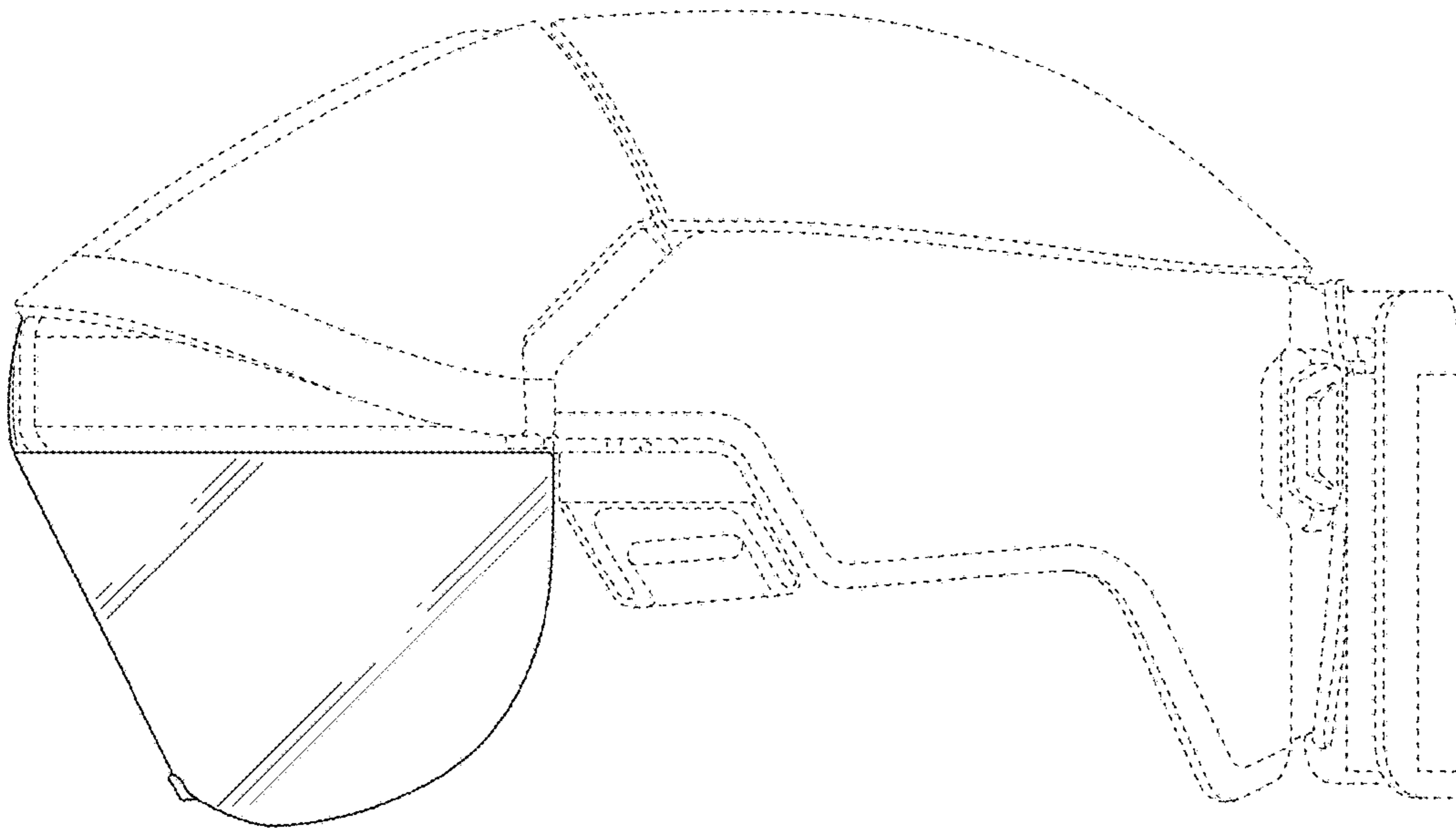


FIG. 20

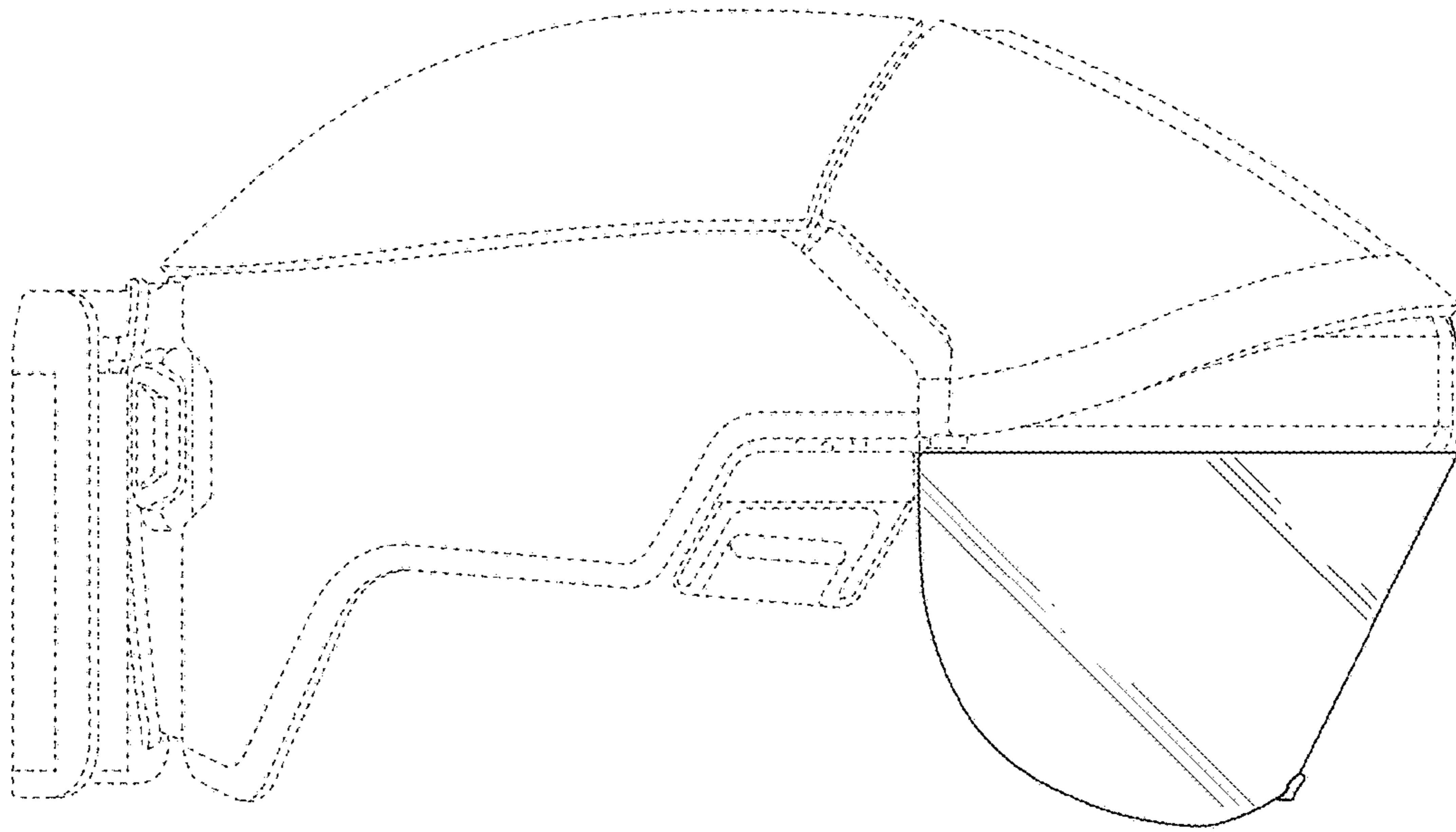


FIG. 21

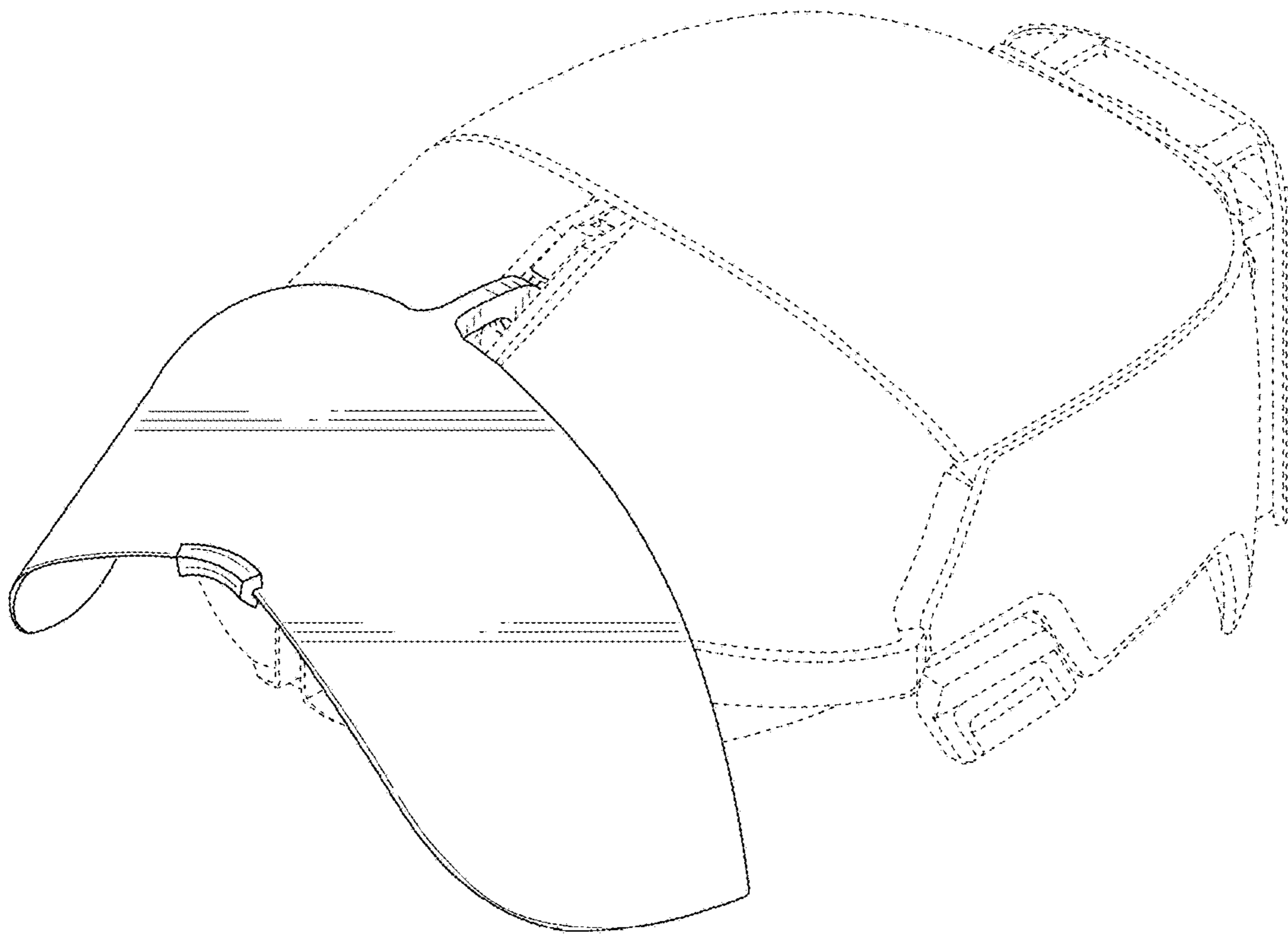


FIG. 22

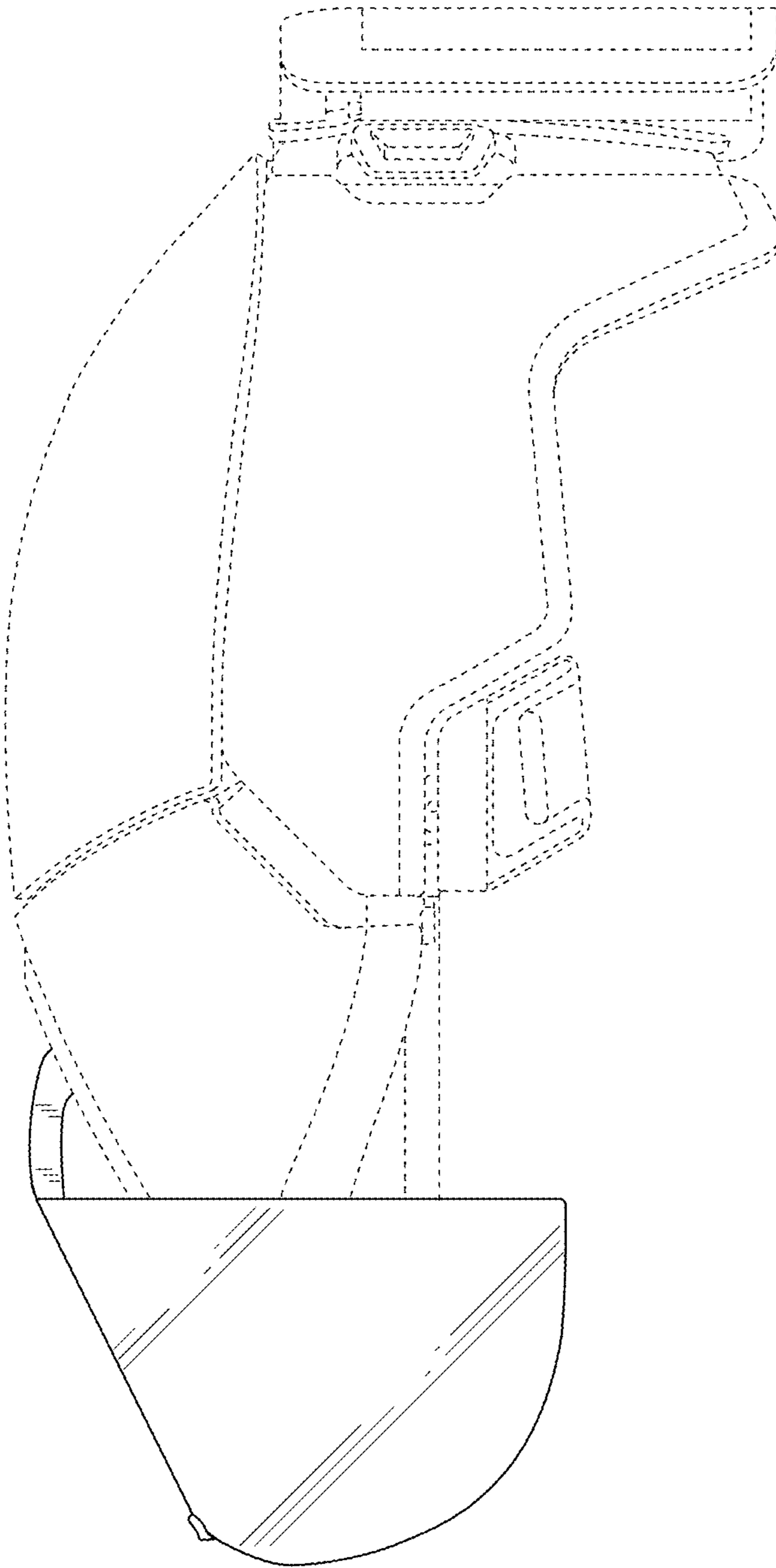


FIG. 23

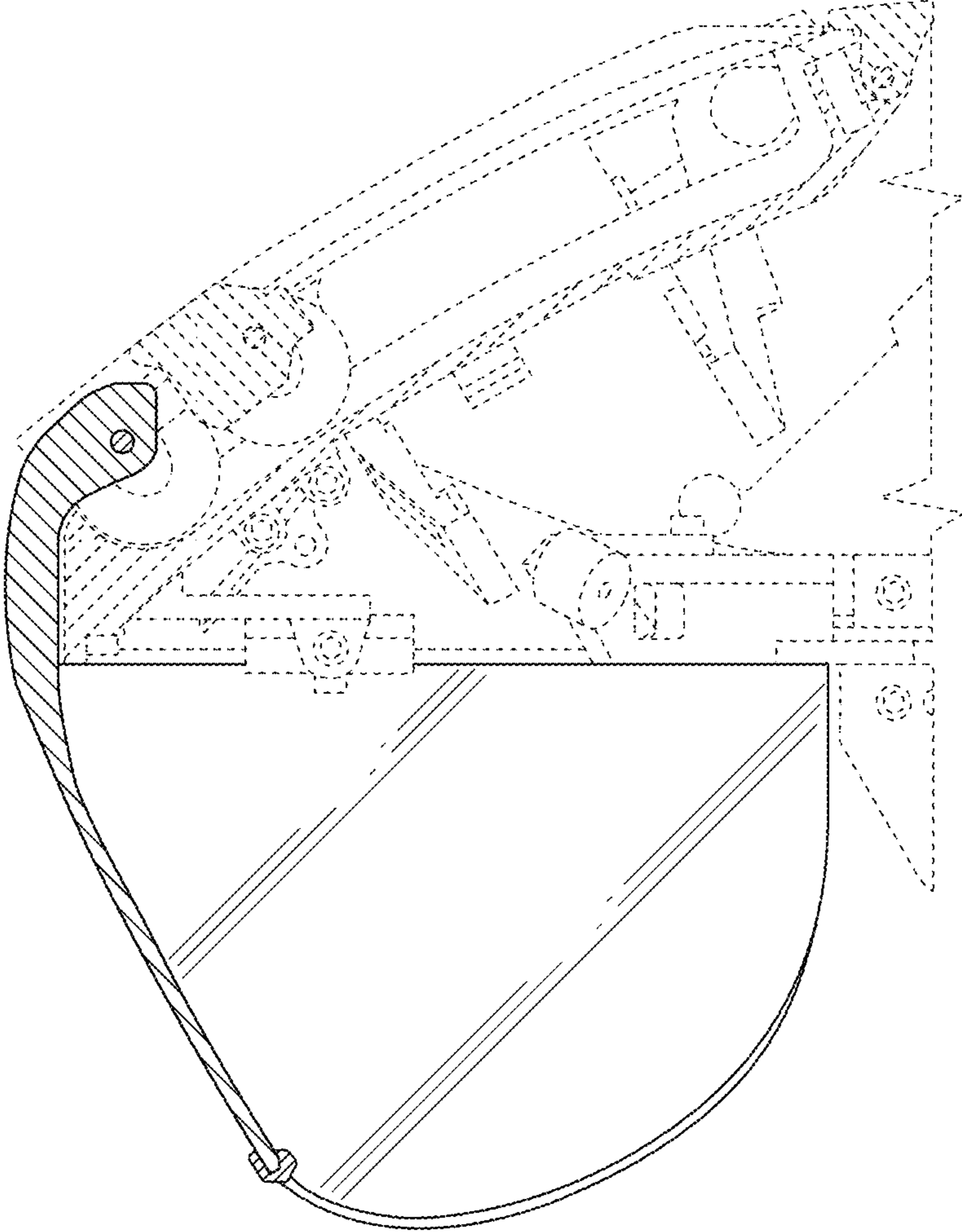


FIG. 24

