



US00D820257S

(12) **United States Design Patent** (10) **Patent No.:** **US D820,257 S**
Meurer et al. (45) **Date of Patent:** **** Jun. 12, 2018**

(54) **MONITOR**

(71) Applicant: **General Electric Company**,
Schenectady, NY (US)

(72) Inventors: **Robert Andrew Meurer**, Waukesha,
WI (US); **Craig Loomis**, Shorewood,
WI (US); **Philip Stankard**, Waukesha,
WI (US); **Alex Sokolovski**, Haifa (IL);
Ross Stalter, Hartland, WI (US)

(73) Assignee: **General Electric Company**,
Schenectady, NY (US)

(**) Term: **15 Years**

(21) Appl. No.: **29/602,269**

(22) Filed: **Apr. 28, 2017**

(51) **LOC (11) Cl.** **14-02**

(52) **U.S. Cl.**
USPC **D14/371**; D24/185

(58) **Field of Classification Search**
USPC D14/371–375, 125–129, 336, 337;
D6/300, 308; D19/113, 114; D20/10;
D24/107, 165, 185, 186
CPC G09F 15/0025; G09F 15/0062; G09F
15/0068; G06F 1/16; G06F 1/1613; G06F
1/133308; G06F 1/1601; G06F 3/037;
G06F 1/162; F16M 11/02; F16M 11/10;
F16M 11/00; F16M 11/06; F16M 11/18;
F16M 11/045; F16M 11/105; F16M
11/041; F16M 11/126; F16M 11/04;
F16M 11/24; F16M 13/02; A47F 5/00;
A61B 5/022; A61B 5/0225; A61B
5/02141; A61M 5/1407; A61F 7/00; A61F
7/10; A61F 7/12; A61F 7/007; A61F
7/0085; A61F 7/123; A61G 12/001; A61G
12/002

See application file for complete search history.

(56) **References Cited**

U.S. PATENT DOCUMENTS

D438,952 S *	3/2001	Cimino	D24/107
D489,816 S *	5/2004	Ross	D24/107
D609,343 S *	2/2010	Omaki	D24/165
D651,319 S *	12/2011	Hara	D24/165
D662,843 S *	7/2012	Ginther	D10/78
8,381,979 B2 *	2/2013	Franz	G08B 13/2411 235/435
D691,724 S *	10/2013	Noguchi	D24/165
D706,239 S *	6/2014	Chen	D14/186
D724,088 S *	3/2015	Giometti	D14/420
D728,121 S *	4/2015	Cook	G08B 13/2411 D24/216
D735,197 S *	7/2015	Fukuba	D14/420

* cited by examiner

Primary Examiner — Freda S Nunn

(74) *Attorney, Agent, or Firm* — McCoy Russell LLP

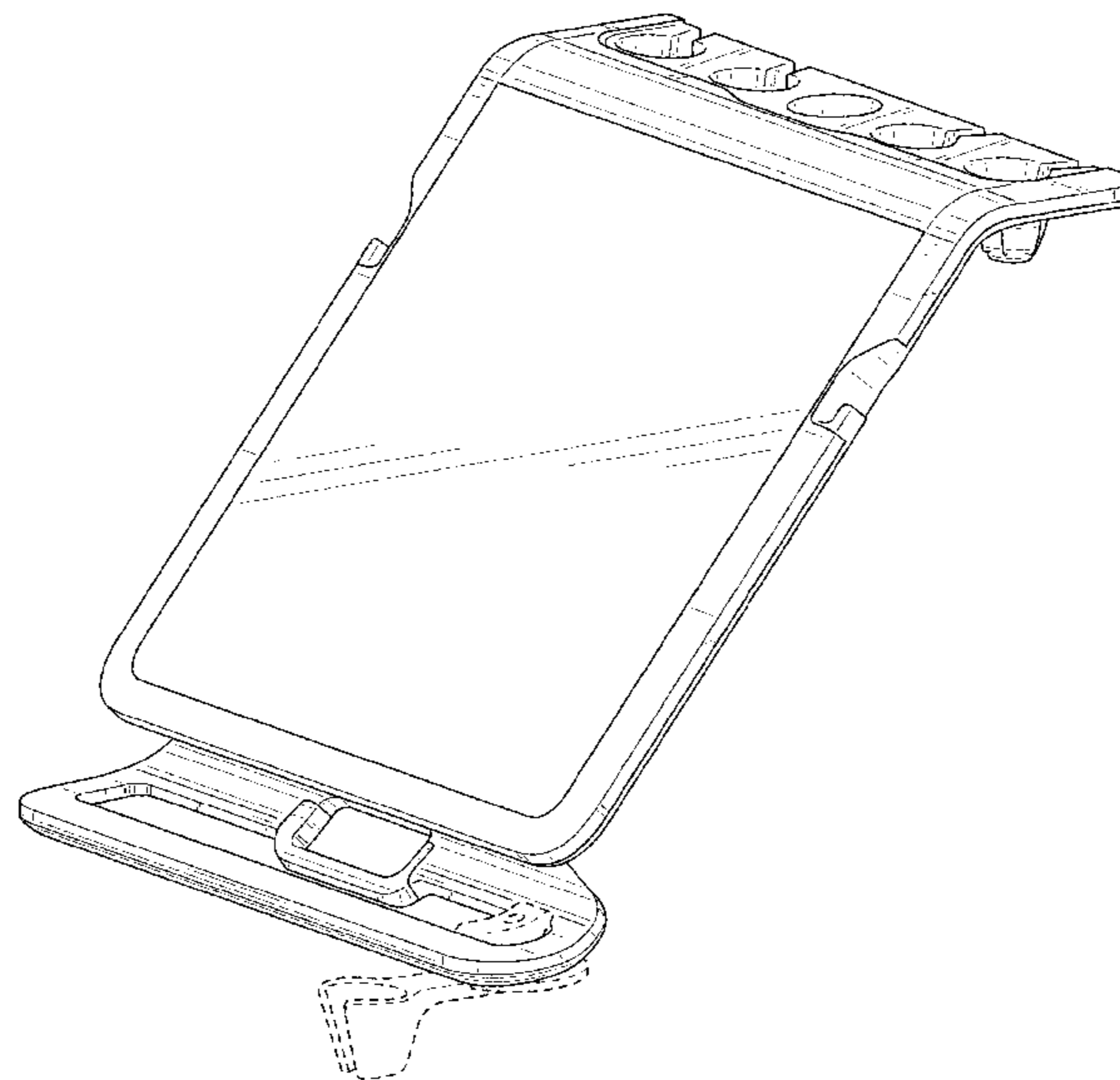
(57) **CLAIM**

The ornamental design for a monitor, as shown and described.

DESCRIPTION

FIG. 1 is a front perspective view of a monitor according to an embodiment of the present invention.
FIG. 2 is a front view of the monitor of FIG. 1.
FIG. 3 is a back view of the monitor of FIG. 1.
FIG. 4 is a left side view of the monitor of FIG. 1.
FIG. 5 is a right side view of the monitor of FIG. 1.
FIG. 6 is a top view of the monitor of FIG. 1; and,
FIG. 7 is a bottom view for the monitor of FIG. 1.
The broken lines in FIGS. 1-7 are included for the purpose of illustrating environmental structure and form no part of the claimed design.

1 Claim, 7 Drawing Sheets



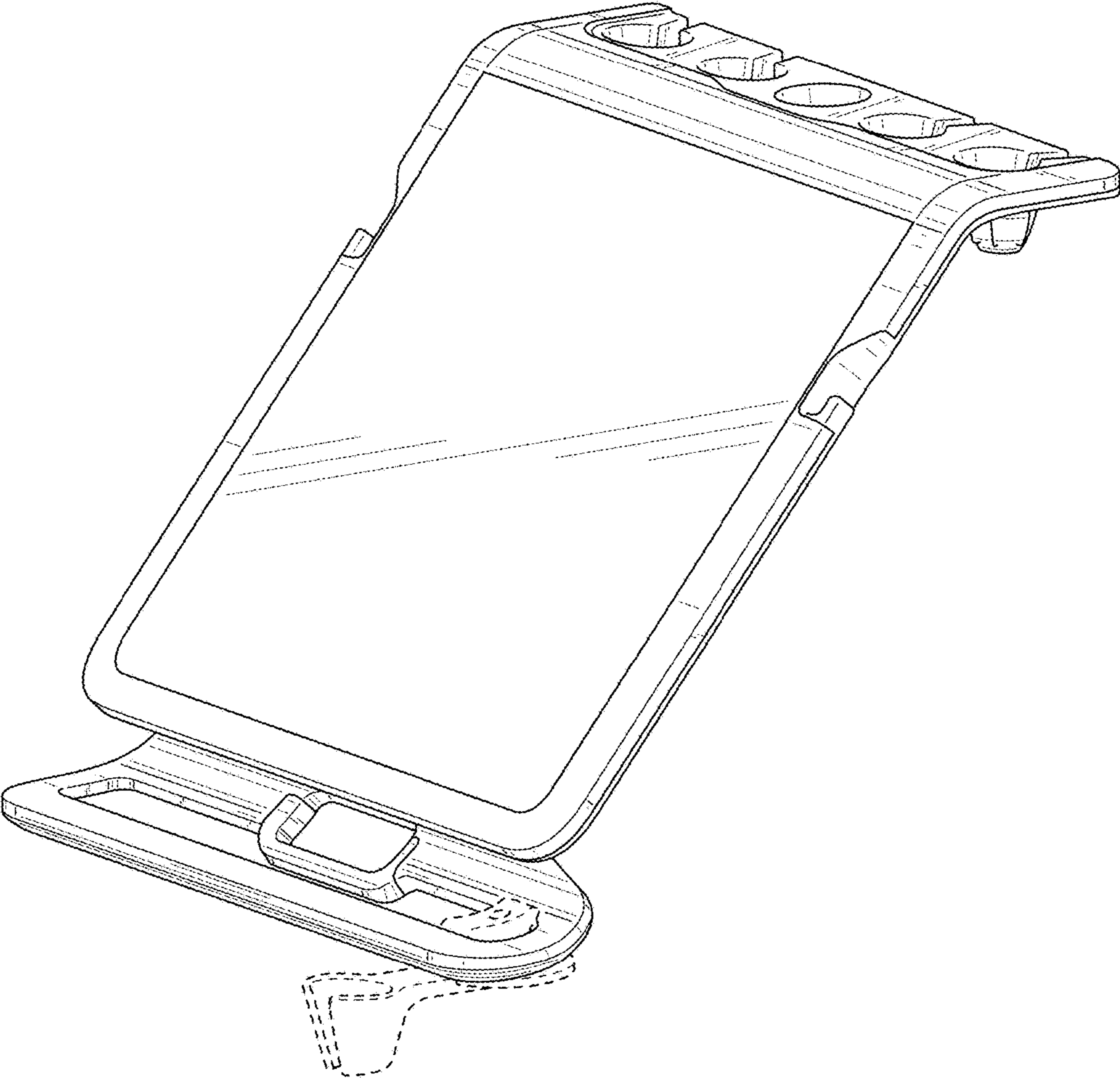


FIG. 1

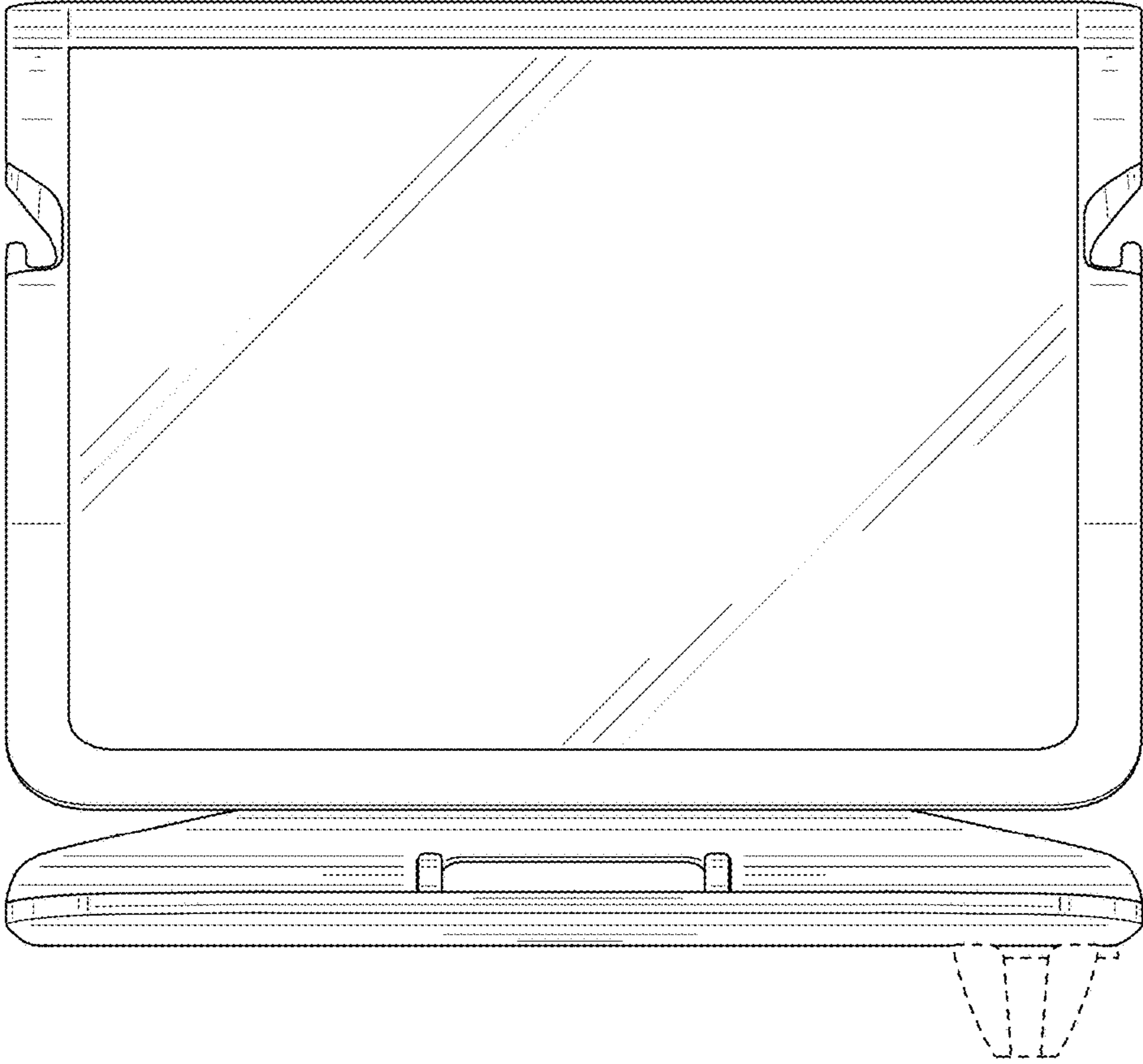


FIG. 2

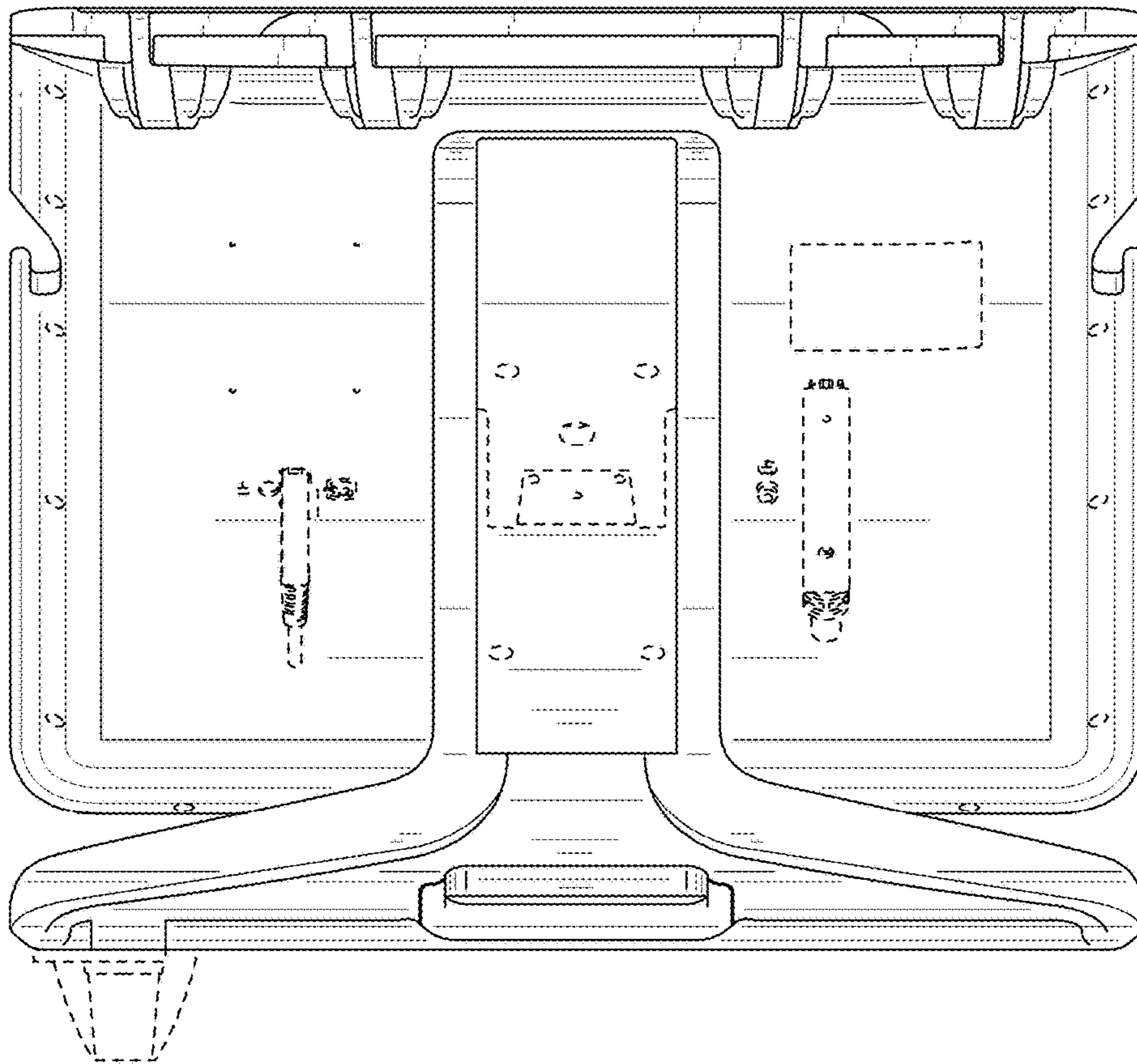


FIG. 3

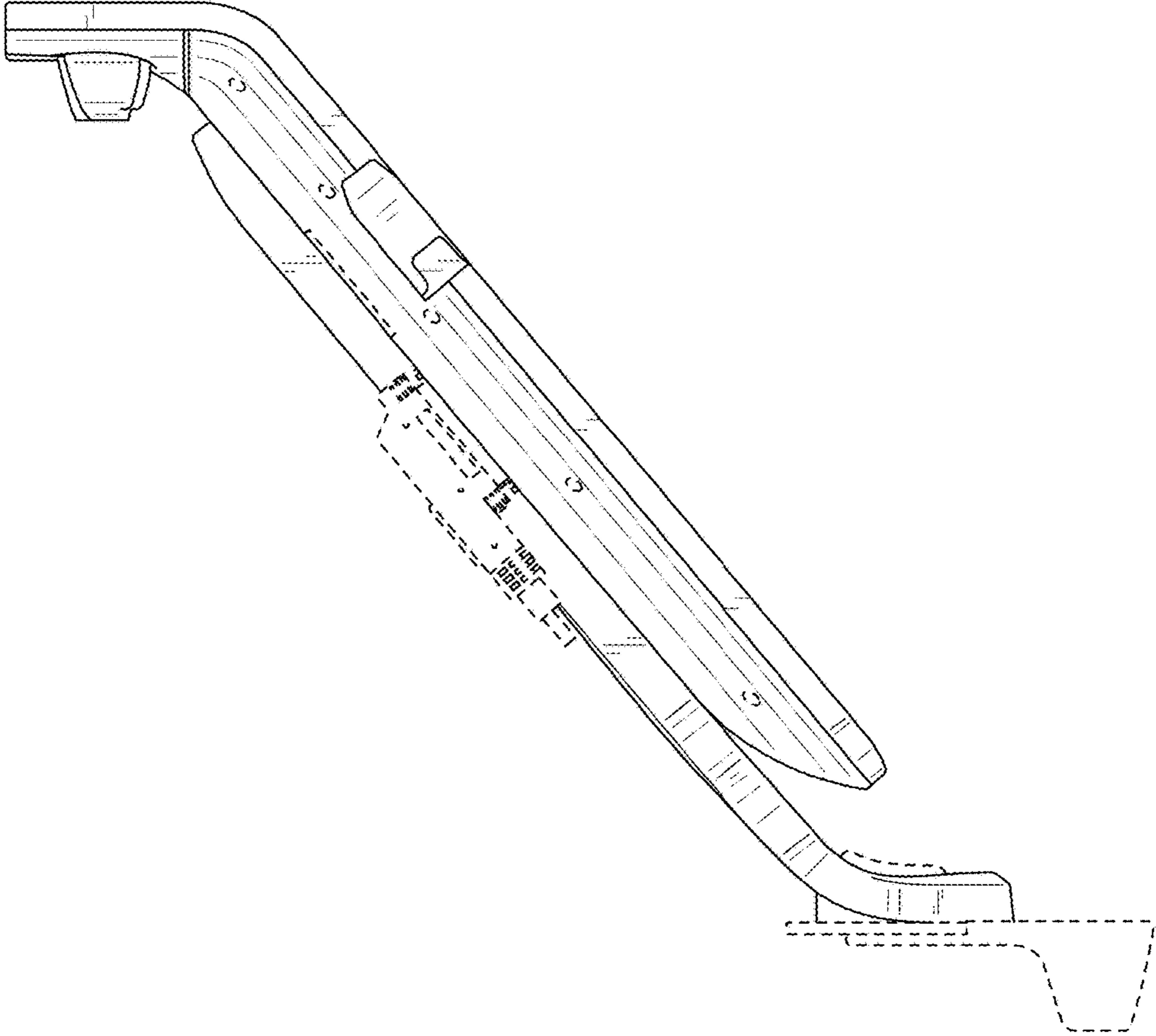


FIG. 4

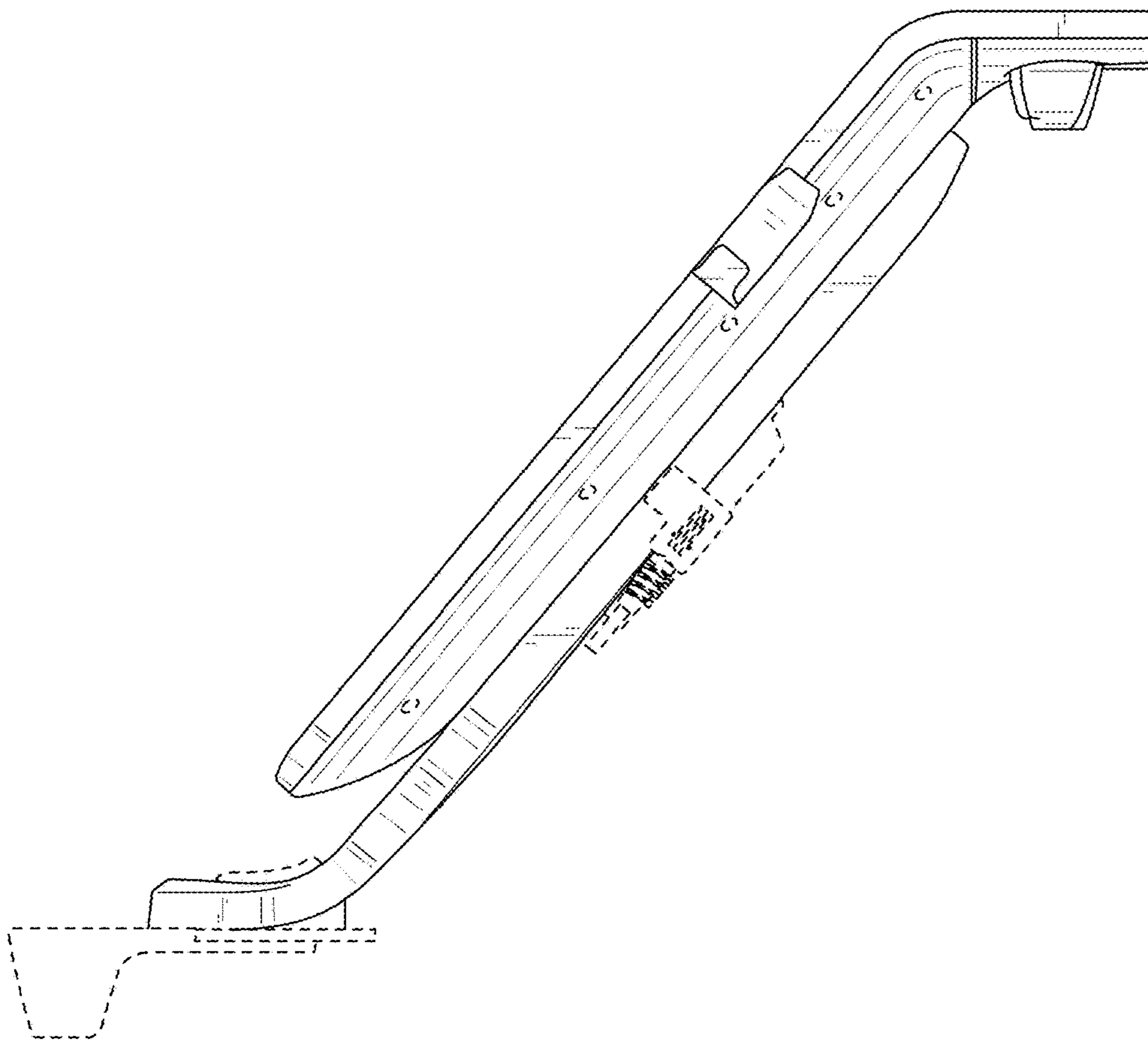


FIG. 5

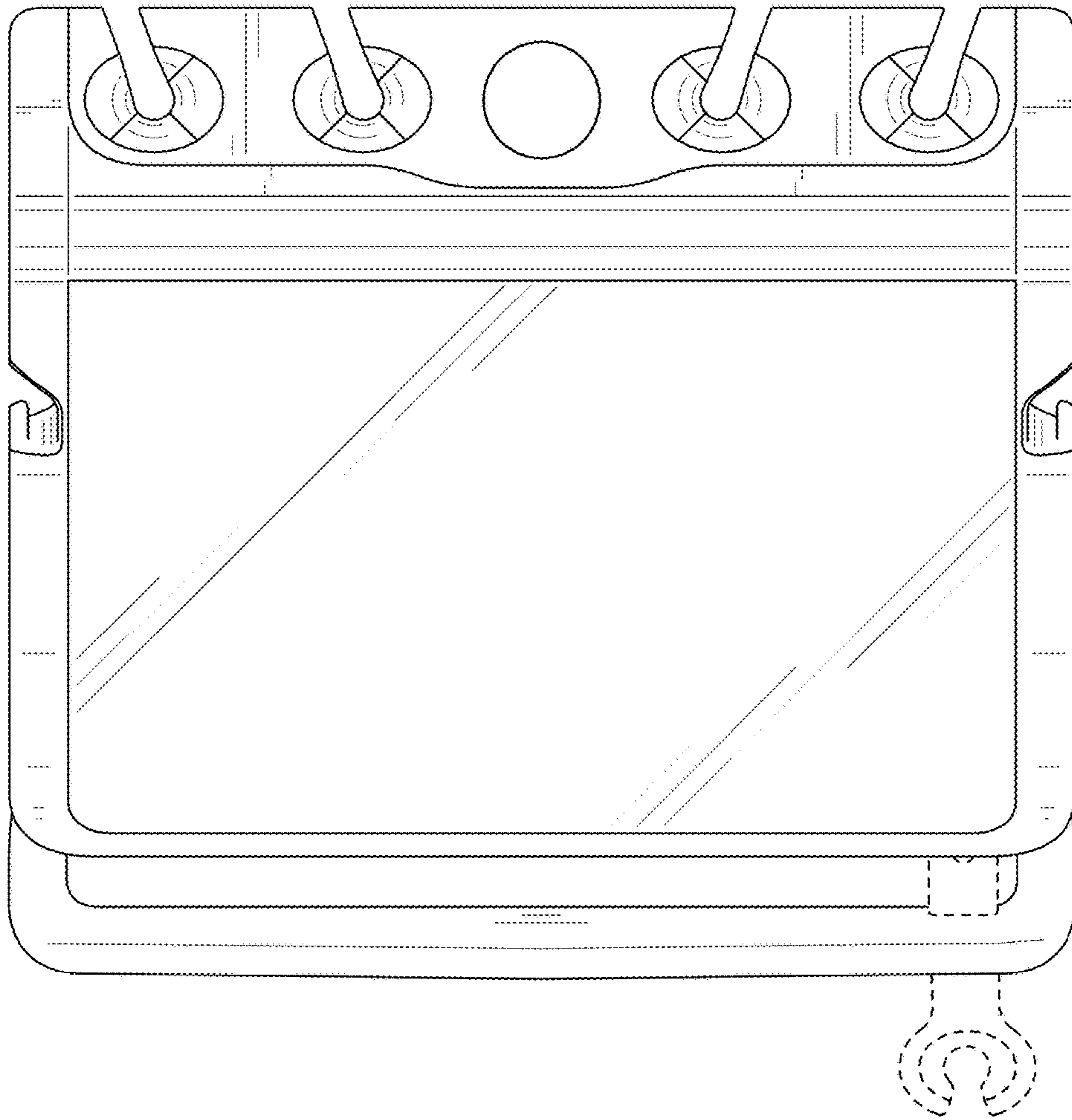


FIG. 6

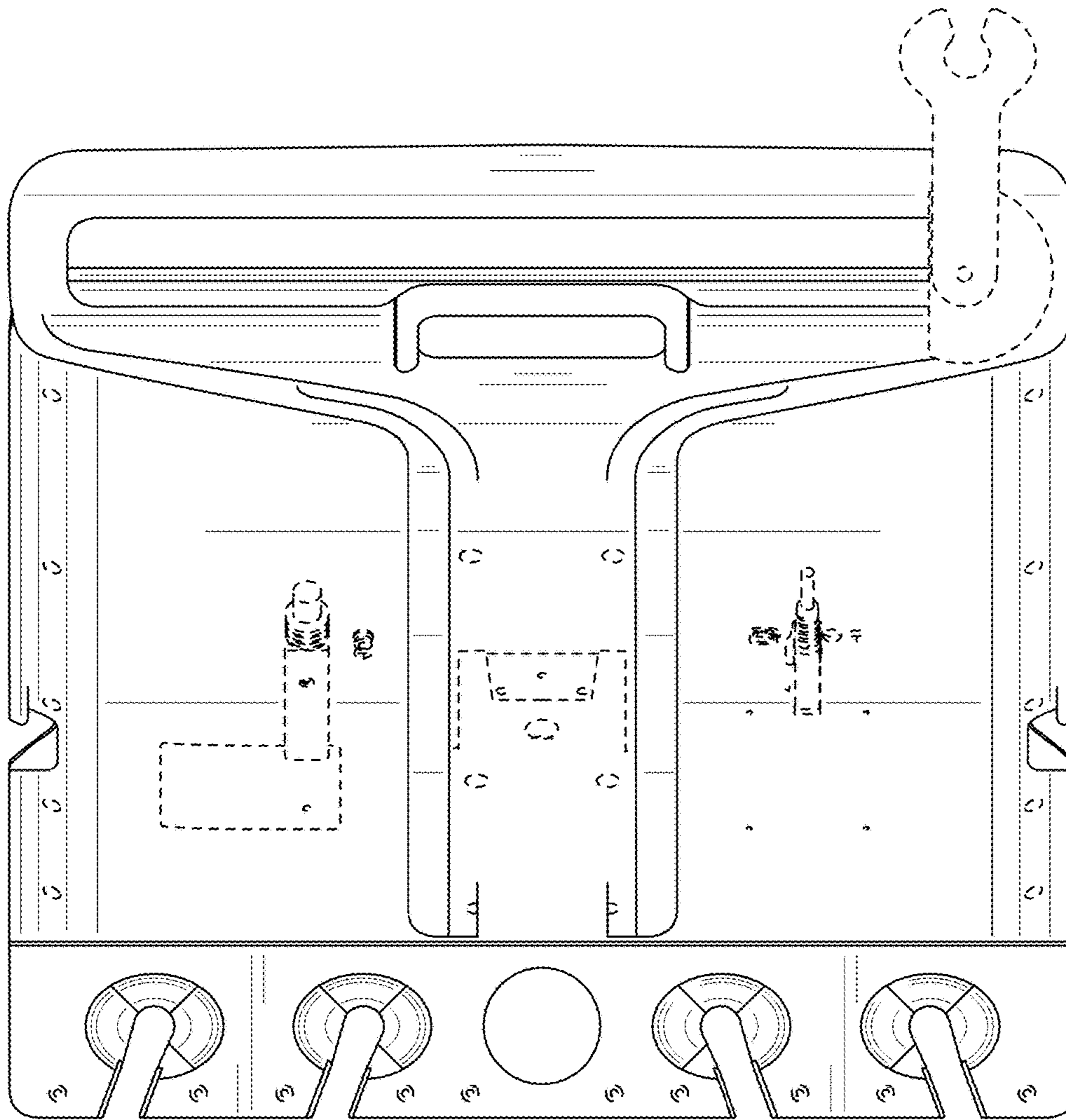


FIG. 7