



US00D820251S

(12) **United States Design Patent**  
**Wang et al.**

(10) **Patent No.:** **US D820,251 S**  
(45) **Date of Patent:** **\*\* Jun. 12, 2018**

(54) **COMPUTER**

(71) Applicant: **Microsoft Corporation**, Redmond, WA (US)

(72) Inventors: **Hua Wang**, Sammamish, WA (US); **Jan Raken**, Seattle, WA (US); **Ralf Groene**, Kirkland, WA (US); **Panos Costa Panay**, Redmond, WA (US); **Karsten Aagaard**, Monroe, WA (US); **Casey Cook Zelig**, Seattle, WA (US)

(73) Assignee: **Microsoft Corporation**, Redmond, WA (US)

(\*\*) Term: **15 Years**

(21) Appl. No.: **29/602,484**

(22) Filed: **May 1, 2017**

(51) **LOC (11) Cl.** ..... **14-02**

(52) **U.S. Cl.**  
USPC ..... **D14/316; D14/318**

(58) **Field of Classification Search**  
USPC ..... D14/315-327; D18/1, 2, 7, 11; 235/145 A, 145 R; 341/22, 23; 345/104, 345/156, 168, 169, 173; 361/679.08, 361/679.09, 679.11, 679.26, 679.27  
CPC ..... G06F 1/16; G06F 1/1616; G06F 1/1626; G06F 1/1632; G06F 1/1613; G06F 1/1601; G06F 1/1618; G06F 1/162; G06F 1/166; G06F 1/1654; G06F 1/1681; G06F 1/1637; G06F 1/1688; G06F 1/1656; H01R 35/02; H03M 11/00; G09B 13/04; H03K 17/94; G09G 5/00; F16M 11/10; H05K 5/00; H04M 1/0237  
See application file for complete search history.

(56) **References Cited**

**U.S. PATENT DOCUMENTS**

D464,344 S 10/2002 Jobs et al.  
D492,678 S 7/2004 Kim et al.

D512,997 S 12/2005 Lee et al.  
D523,010 S 6/2006 Paek et al.  
D556,192 S 11/2007 Jeong et al.  
D564,511 S 3/2008 Akhtar  
7,403,378 B2\* 7/2008 Lo ..... G06F 1/162 341/21  
D586,797 S 2/2009 Kawase et al.  
D587,701 S 3/2009 Yoon  
D596,633 S 7/2009 Kawase et al.  
D601,138 S 9/2009 Solomon et al.  
D613,284 S 4/2010 Solomon et al.  
D638,833 S 5/2011 Chuang  
D643,425 S 8/2011 Jung et al.  
D671,538 S 11/2012 Kim et al.  
D671,936 S \* 12/2012 Fong ..... D14/318  
D702,225 S 4/2014 Matsuoka  
D705,215 S 5/2014 Lee et al.  
D708,605 S \* 7/2014 Yang ..... D14/315

(Continued)

*Primary Examiner* — Freda S Nunn

(74) *Attorney, Agent, or Firm* — Banner & Witcoff, Ltd.

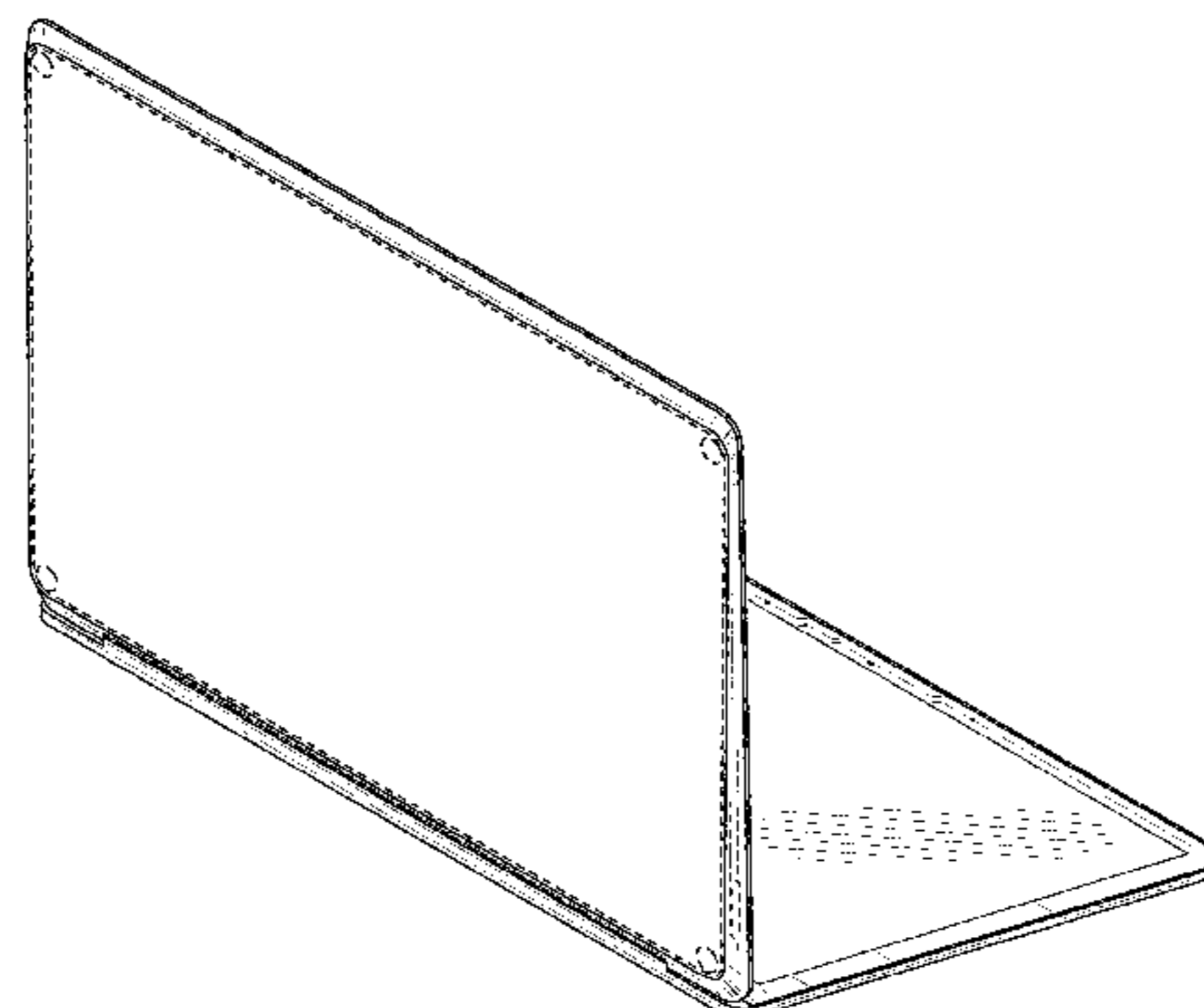
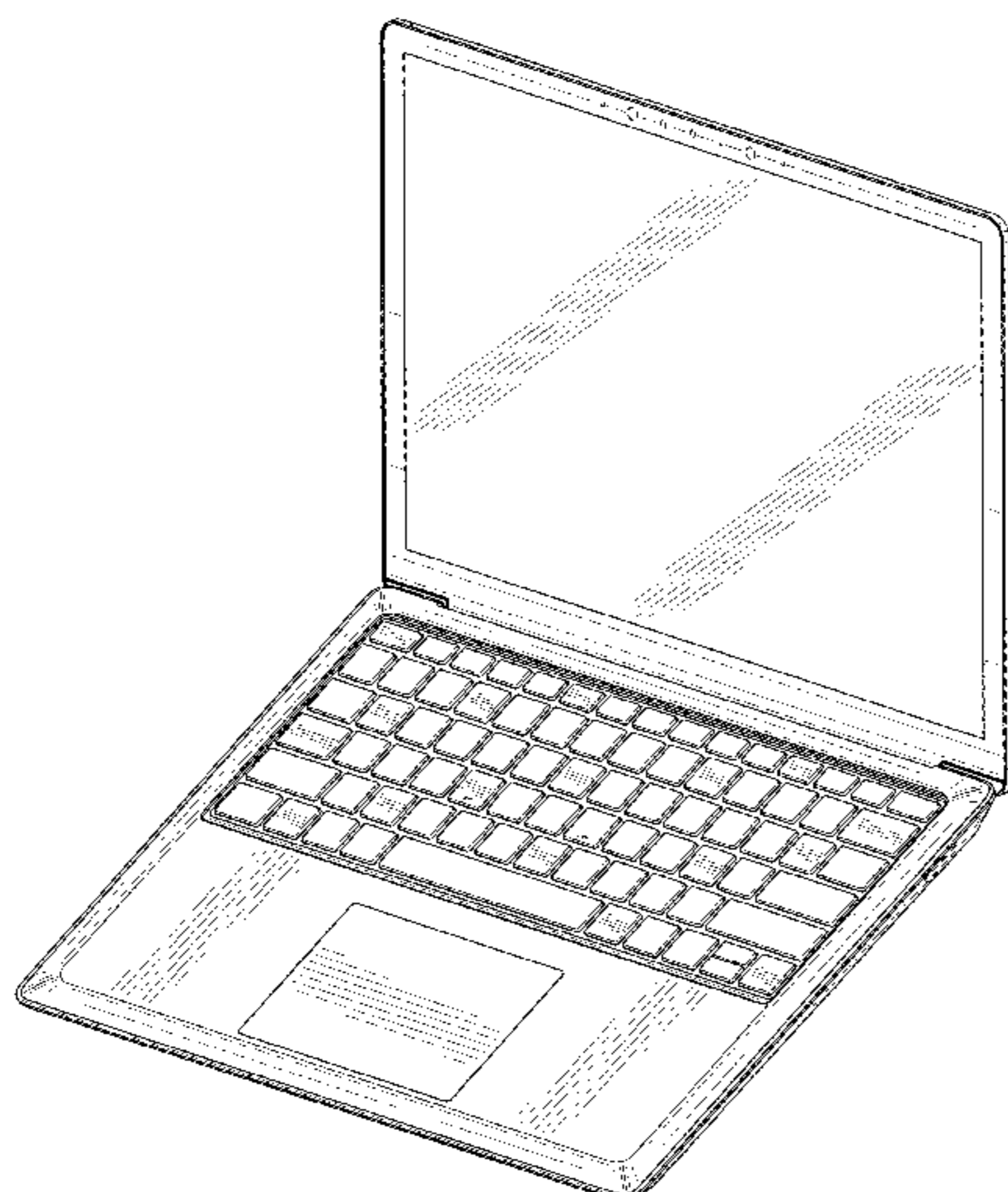
(57) **CLAIM**

The ornamental design for a computer, as shown and described.

**DESCRIPTION**

FIG. 1 is a front perspective view of a computer showing our new design;  
FIG. 2 is a top view thereof;  
FIG. 3 is a bottom view thereof;  
FIG. 4 is a right side view thereof;  
FIG. 5 is a left side view thereof;  
FIG. 6 is a front view thereof;  
FIG. 7 is a rear view thereof; and,  
FIG. 8 is a bottom perspective view thereof.  
The broken line showing of the various unshaded elements of the computer illustrates environmental structure and forms no part of the claimed design.

**1 Claim, 8 Drawing Sheets**



(56)

**References Cited**

U.S. PATENT DOCUMENTS

|              |      |         |                |                           |
|--------------|------|---------|----------------|---------------------------|
| D716,793     | S    | 11/2014 | Lee et al.     |                           |
| D717,296     | S *  | 11/2014 | Oh .....       | D14/316                   |
| D719,149     | S *  | 12/2014 | Matsuoka ..... | D14/318                   |
| D734,322     | S    | 7/2015  | Matsuoka       |                           |
| 9,280,181    | B2 * | 3/2016  | Tomita .....   | G06F 1/1637               |
| D756,352     | S    | 5/2016  | Matsuoka       |                           |
| D758,359     | S *  | 6/2016  | Reed .....     | D14/315                   |
| D761,249     | S *  | 7/2016  | Liang .....    | D14/315                   |
| D763,249     | S    | 8/2016  | Lee et al.     |                           |
| D772,886     | S    | 11/2016 | Akana et al.   |                           |
| 2005/0041378 | A1 * | 2/2005  | Hamada .....   | G06F 1/1616<br>361/679.01 |
| 2009/0262204 | A1 * | 10/2009 | Pai .....      | G06F 1/1616<br>348/207.11 |

\* cited by examiner

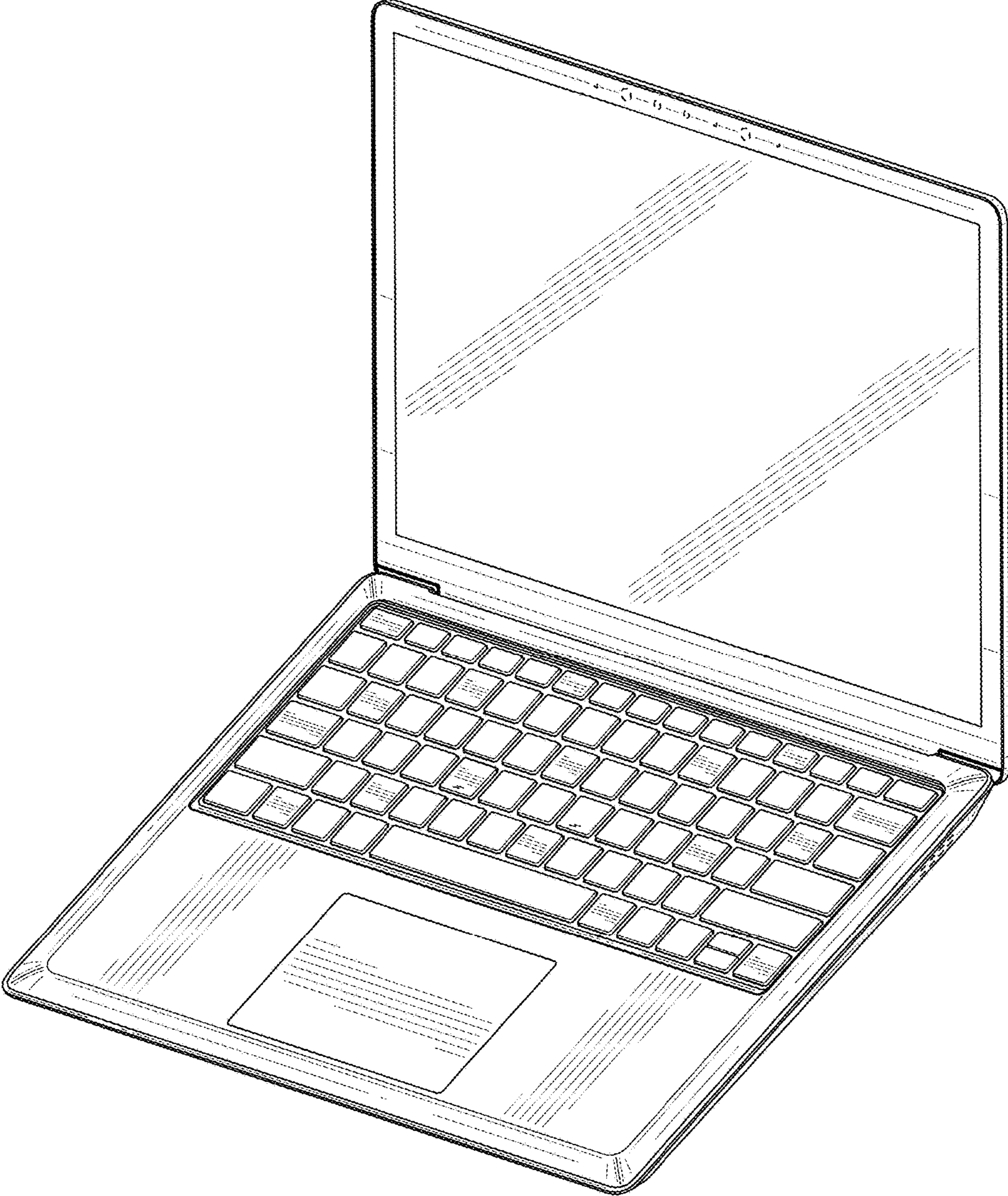


FIG. 1

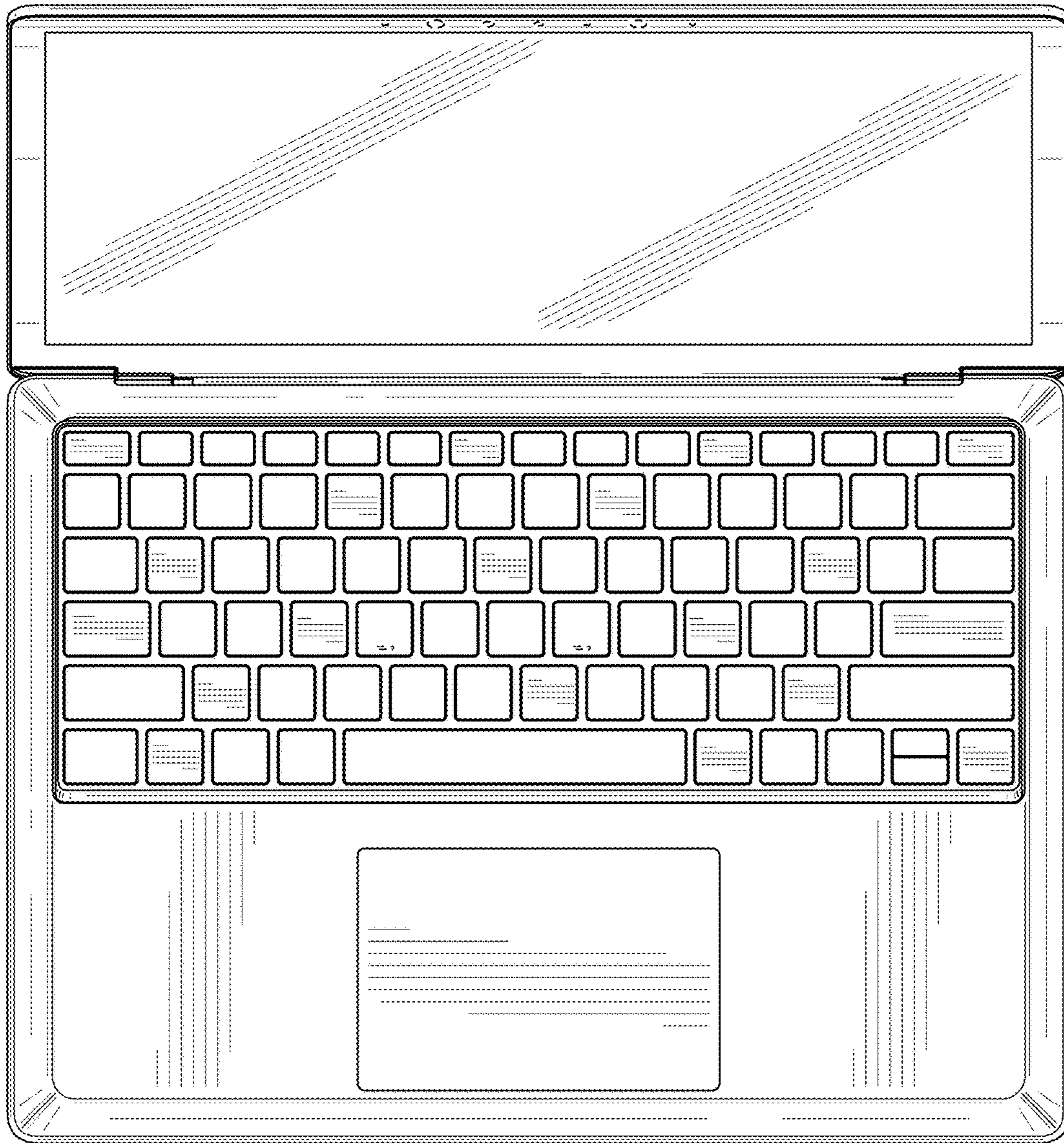


FIG. 2

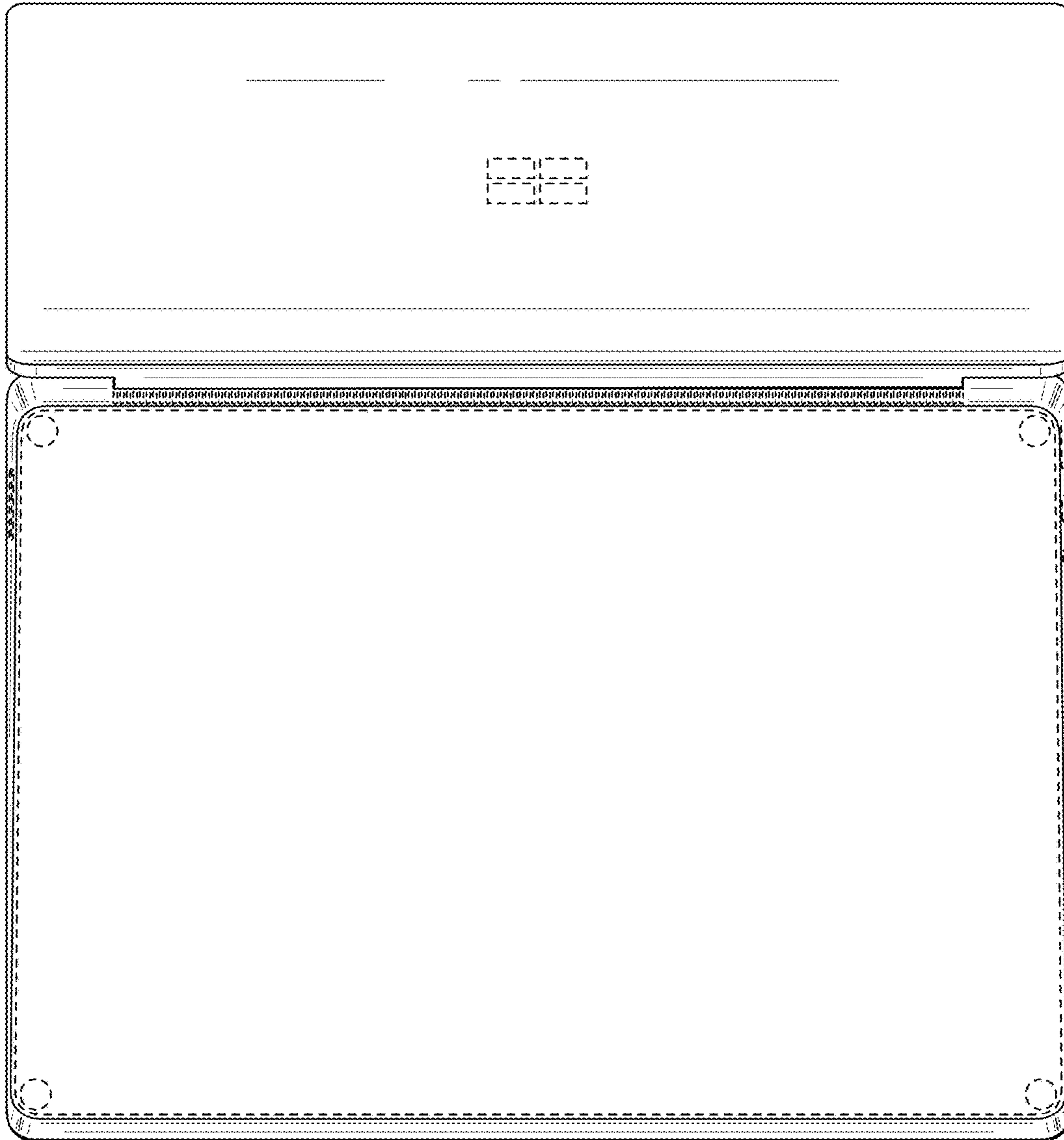


FIG. 3

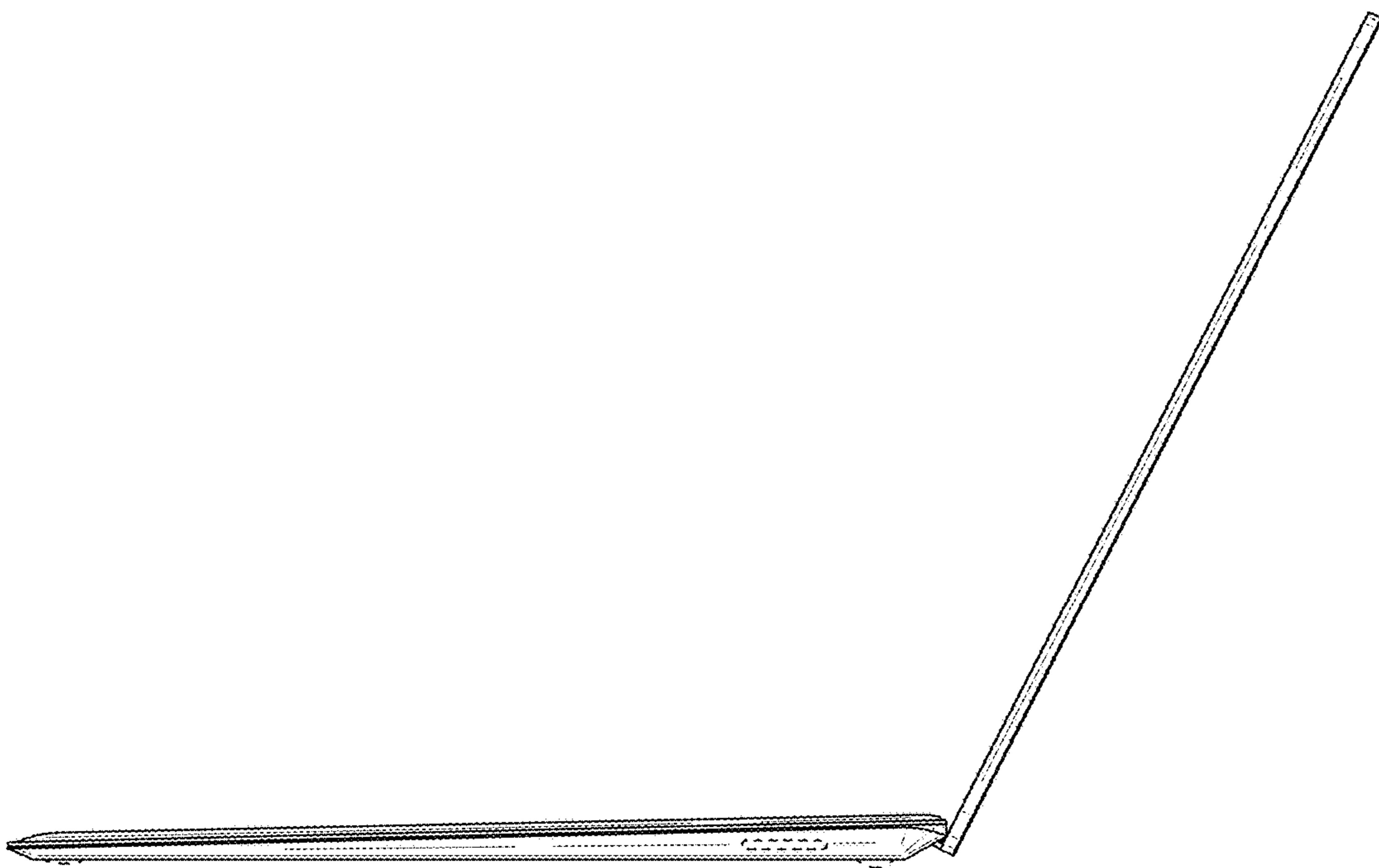


FIG. 4

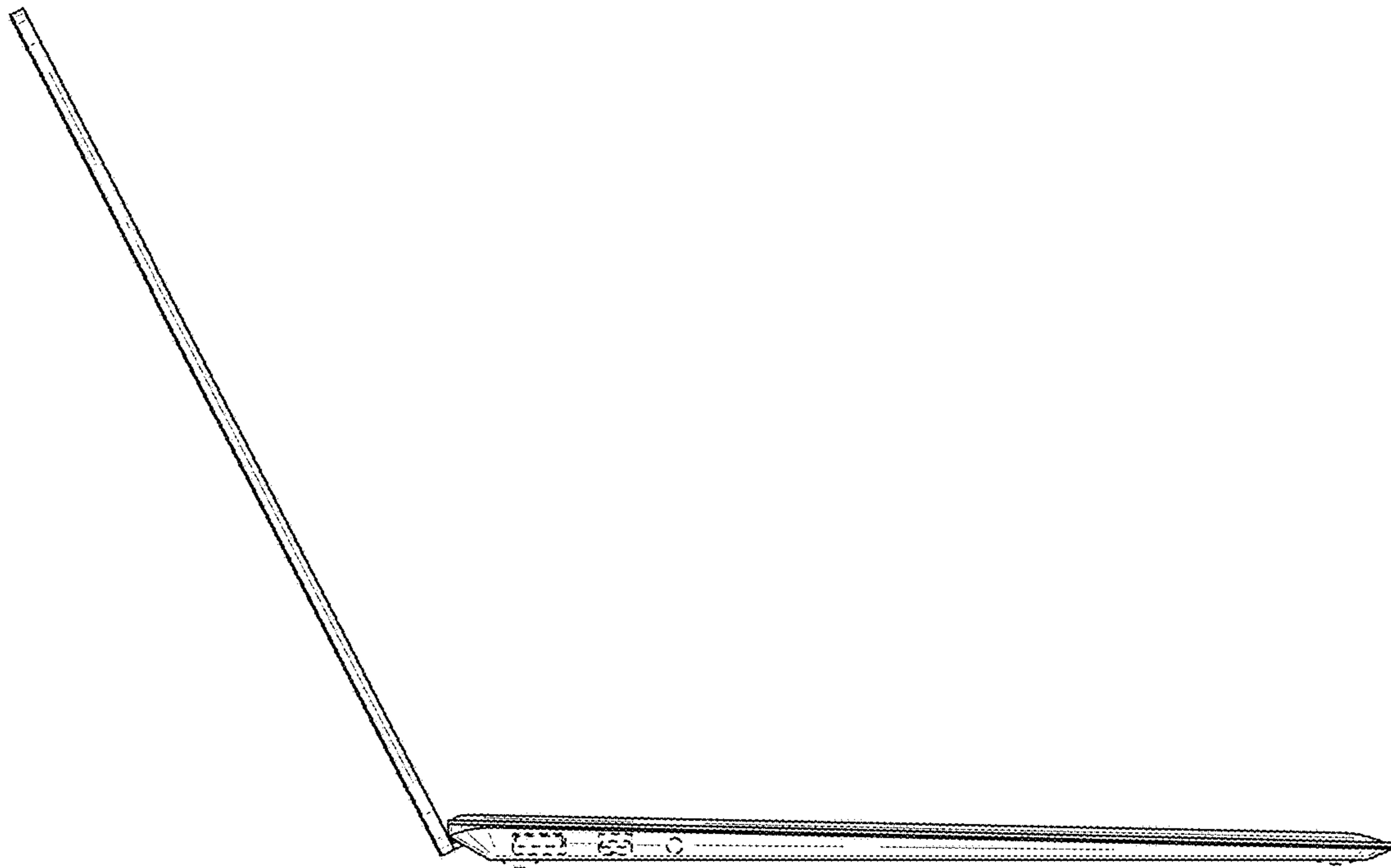


FIG. 5

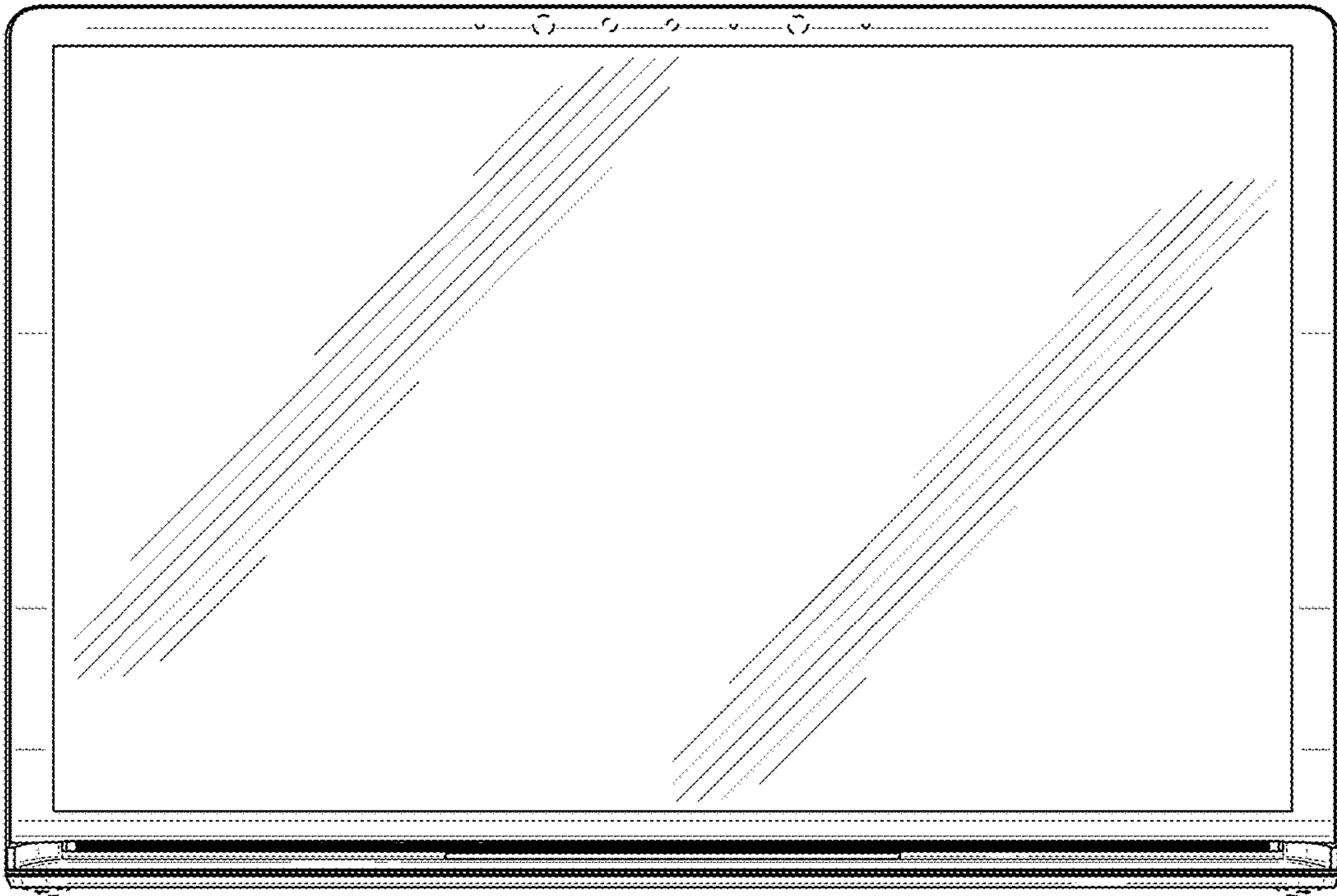


FIG. 6



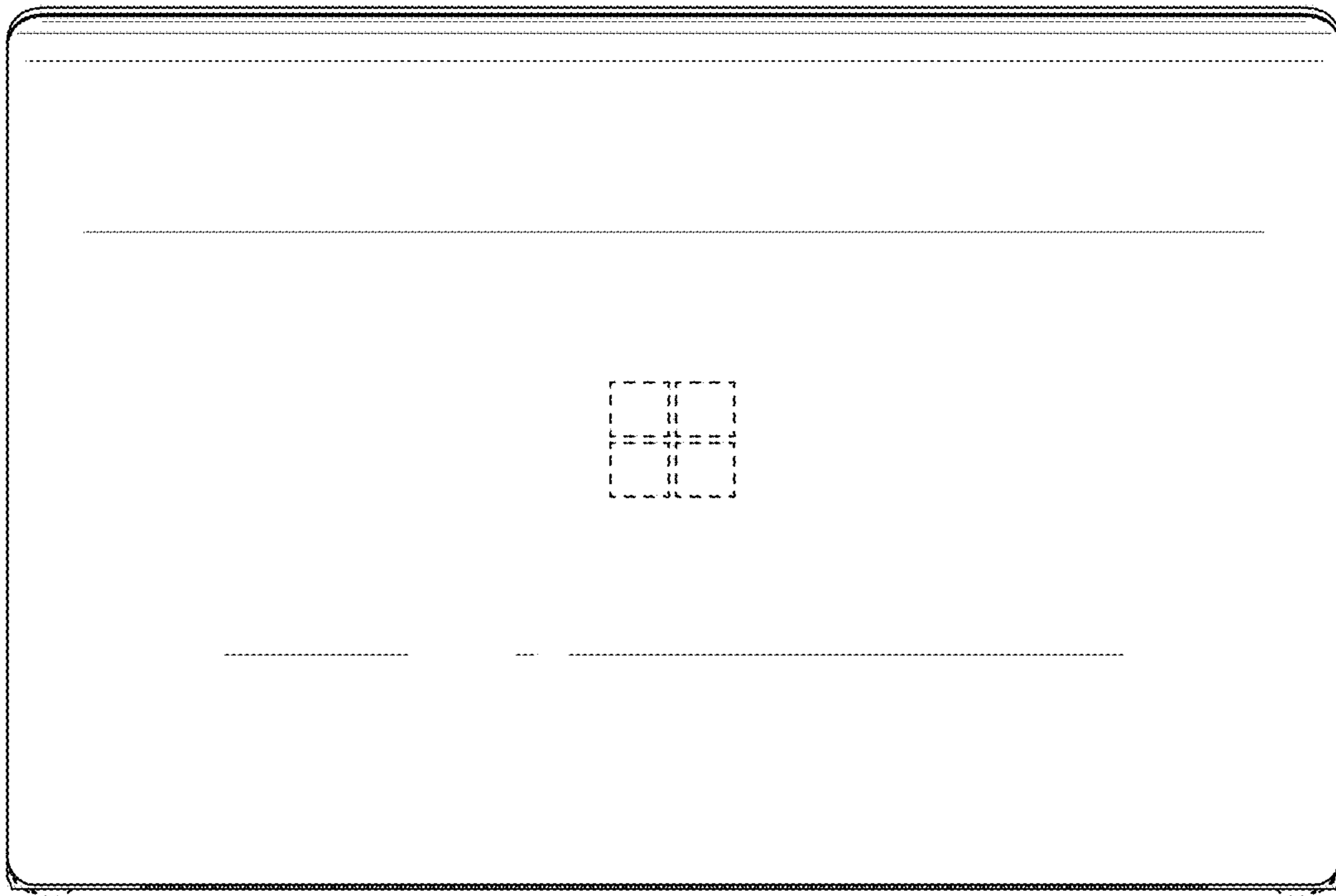


FIG. 7

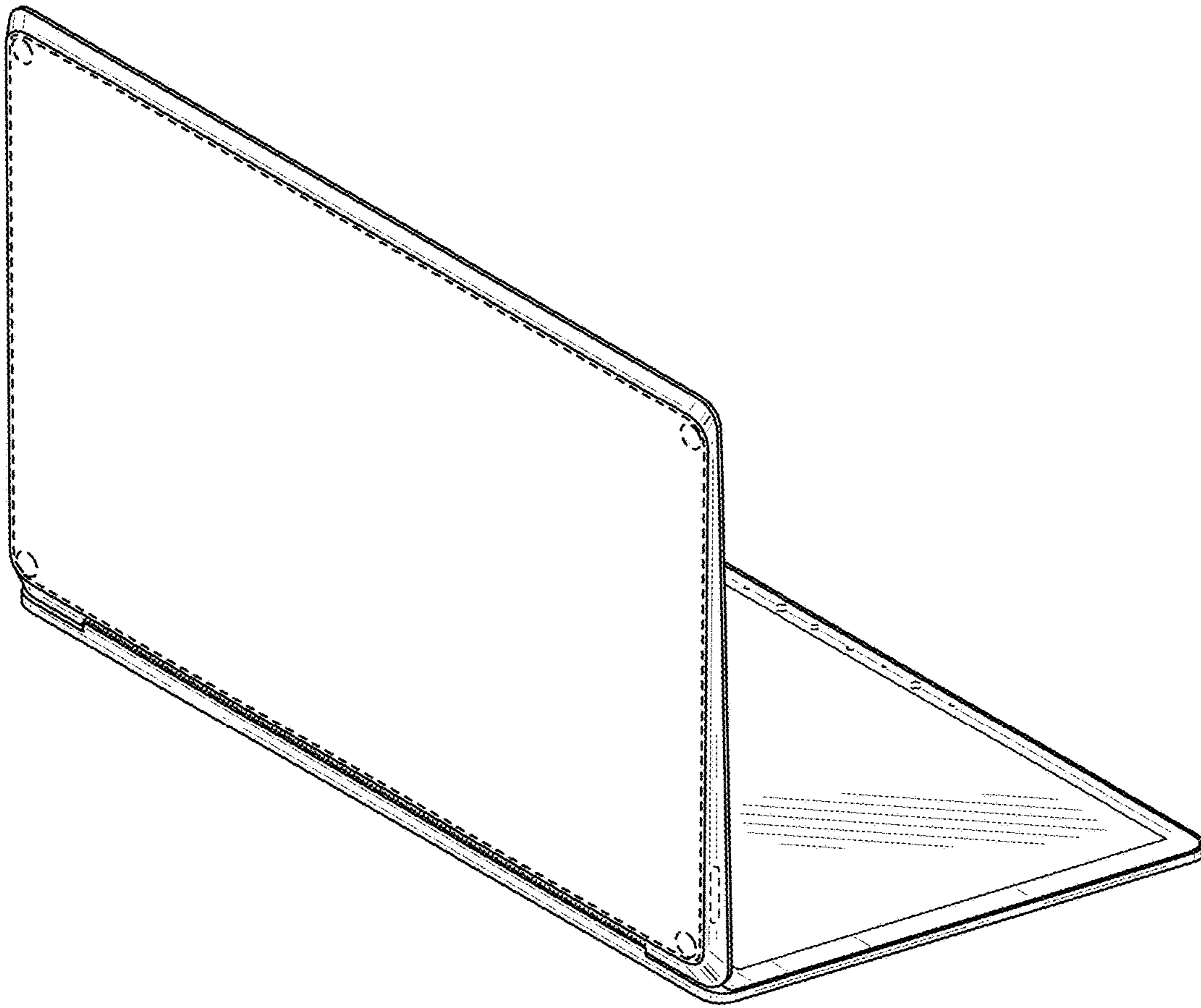


FIG. 8