



US00D820245S

(12) **United States Design Patent**
Kim et al.

(10) **Patent No.:** **US D820,245 S**
(45) **Date of Patent:** **** Jun. 12, 2018**

(54) **CASE FOR ELECTRONIC COMMUNICATIONS DEVICE**

(71) Applicants: **Dae-Young Kim**, Seoul (KR); **Soo Ha Jung**, Seoul (KR)

(72) Inventors: **Dae-Young Kim**, Seoul (KR); **Soo Ha Jung**, Seoul (KR)

(73) Assignee: **SPIGEN KOREA CO., LTD.**, Seoul (KR)

(**) Term: **15 Years**

(21) Appl. No.: **29/574,318**

(22) Filed: **Aug. 14, 2016**

(51) **LOC (11) Cl.** **14-03**

(52) **U.S. Cl.**
USPC **D14/250**

(58) **Field of Classification Search**
USPC D14/238.1, 440, 203.3–203.7, 217, 240, D14/447, 250, 251–253, 248; D3/201, D3/218, 247, 269, 273, 301, 303; D13/103, 107–108, 119
CPC H04B 1/3888; H04M 1/0283; H04M 1/0202; A45C 1/06; A45C 2011/002; A45C 11/00; A45C 13/02; A45F 2005/026; A45F 2200/0525; A45F 2200/0516

See application file for complete search history.

(56) **References Cited**

U.S. PATENT DOCUMENTS

D657,782 S 4/2012 Biller
D671,930 S 12/2012 Akana
8,517,172 B1 * 8/2013 Chang G06F 1/1626
206/320
D689,852 S 9/2013 Azoulay
D692,878 S 11/2013 Akana
D700,598 S * 3/2014 Kim D14/250

(Continued)

OTHER PUBLICATIONS

“iPhone 6 Plus Case Tough Armor,” <http://www.spigen.com/products/iphone-6-plus-case-tough-armor?variant=1156491337> Downloaded Oct. 20, 2016, 8Page.

(Continued)

Primary Examiner — Carla J Wright

(74) *Attorney, Agent, or Firm* — Heedong Chae; Lucem, PC

(57) **CLAIM**

The ornamental design for a case for electronic communications device, as shown and described.

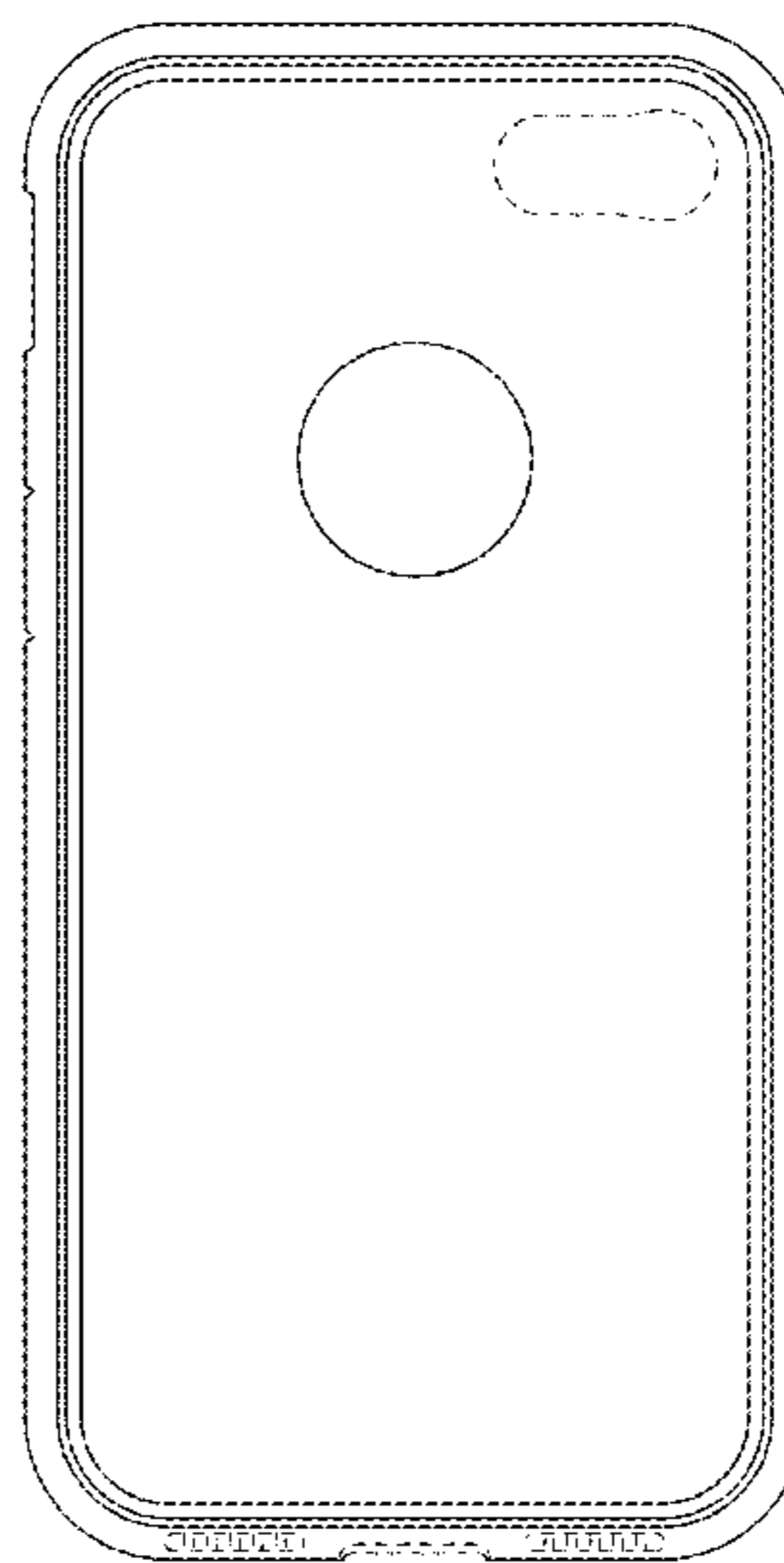
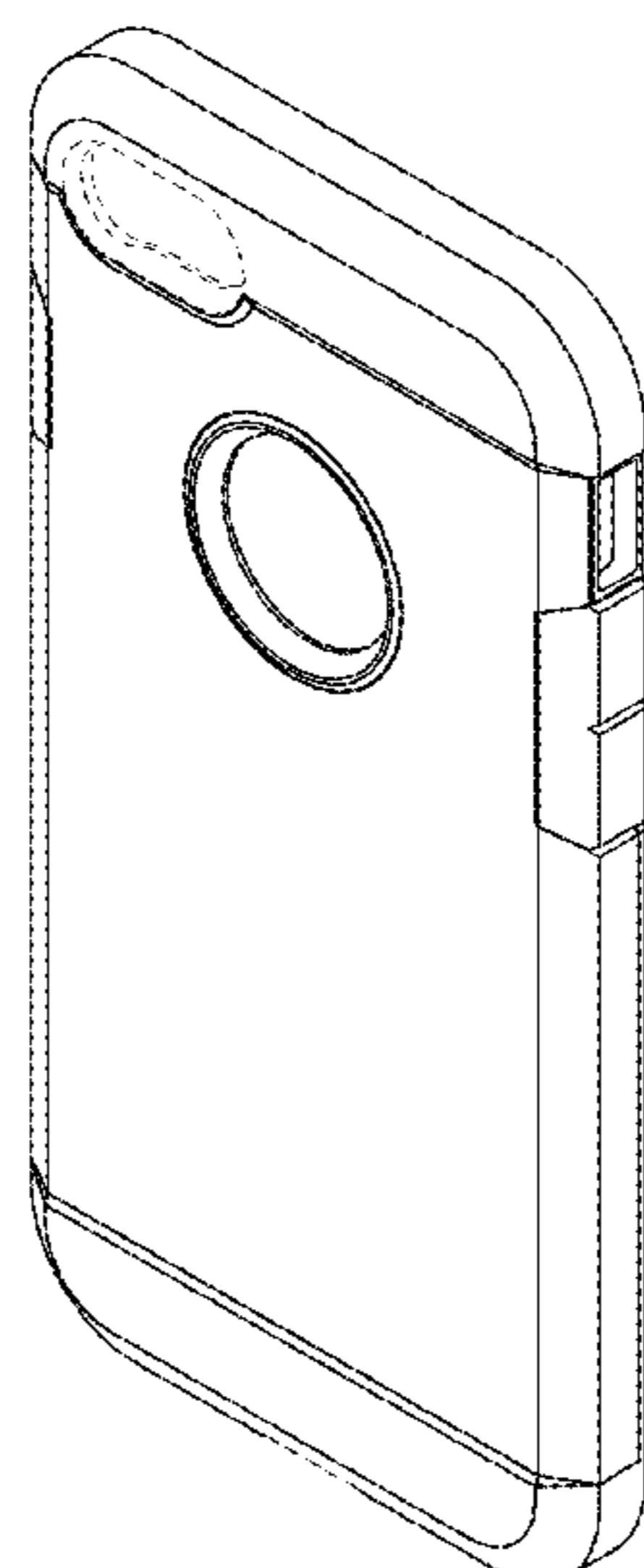
DESCRIPTION

FIG. 1 is a front perspective view of a case for electronic communications device showing my new design; FIG. 2 is a rear perspective view thereof; FIG. 3 is a front elevational view thereof; FIG. 4 is a rear elevational view thereof; FIG. 5 is a left side elevational view thereof; FIG. 6 is a right side elevational view thereof; FIG. 7 is a top plan view thereof; FIG. 8 is a bottom plan view thereof; FIG. 9 is an exploded front perspective view of the case for electronic communications device with the components of the case shown separated for clarity of disclosure; and, FIG. 10 is an exploded rear perspective view thereof with the components of the case shown separated for clarity disclosure.

The interior of the case shown in FIGS. 1, 3 and 9 forms no part of the claimed design.

The broken lines throughout the drawing figures depict portions of the case for electronic communications device that form no part of the claimed design. The broken lines and regions bounded by broken lines form no part of the claimed design.

1 Claim, 10 Drawing Sheets



(56)

References Cited

U.S. PATENT DOCUMENTS

8,681,491 B1 3/2014 Cruz
 D703,652 S 4/2014 Melanson
 D703,654 S * 4/2014 Melanson D14/250
 D703,655 S 4/2014 Melanson
 D706,255 S 6/2014 Akana
 D712,386 S * 9/2014 Lu D14/250
 D714,274 S 9/2014 Jung
 D714,276 S 9/2014 Hu
 D721,067 S * 1/2015 Su D14/250
 D732,498 S 6/2015 Huang
 9,049,283 B1 * 6/2015 Kim H04M 1/21
 D736,205 S 8/2015 Park
 D739,391 S 9/2015 Chen
 9,143,181 B1 * 9/2015 Jia H04B 1/3888
 D741,279 S 10/2015 Tai
 D741,844 S 10/2015 Rayner
 D741,845 S 10/2015 Kim
 D743,389 S 11/2015 Akana
 D743,931 S 11/2015 Hubbard
 D744,471 S 12/2015 Fitzgerald
 D746,275 S 12/2015 Mohammad
 D746,805 S 1/2016 Kim
 D747,306 S 1/2016 Kim
 D748,614 S 2/2016 Ju
 D749,563 S 2/2016 Akana
 D749,567 S 2/2016 Lee
 D749,591 S 2/2016 Akana
 9,247,795 B2 2/2016 Kim
 D752,037 S 3/2016 Akana
 9,295,174 B2 3/2016 Witter
 9,300,768 B1 3/2016 Dining et al.
 9,301,414 B2 3/2016 Chao
 D753,099 S 4/2016 Kim
 D753,641 S 4/2016 Roberts
 D754,651 S 4/2016 Roberts
 D754,652 S 4/2016 Robert
 D756,340 S 5/2016 Babichenko
 D756,343 S 5/2016 Wall et al.
 D756,947 S 5/2016 Walliser
 D761,239 S 7/2016 Kim
 D765,629 S * 9/2016 Watt D14/250
 D765,633 S 9/2016 Northrup et al.
 D765,635 S 9/2016 Chang et al.
 D765,644 S 9/2016 Witter et al.
 D771,028 S 11/2016 Kim
 D771,607 S 11/2016 Kim
 D771,608 S 11/2016 Kim

D772,209 S 11/2016 Kim
 D775,620 S 1/2017 Kim
 2013/0257240 A1* 10/2013 Hong H04B 1/3888
 312/223.1
 2014/0146441 A1 5/2014 Hautamaki
 2014/0284096 A1 9/2014 Wu
 2015/0194997 A1 7/2015 Johnson
 2015/0382495 A1* 12/2015 Lim A45C 11/00
 206/523
 2016/0101902 A1* 4/2016 Kim F16M 11/00
 206/45.23
 2016/0204817 A1* 7/2016 Kim H04B 1/3888
 455/575.8

OTHER PUBLICATIONS

“iPhone 6 Case Tough Armor,” <http://www.spigen.com/products/iphone-6-case-tough-armor-4-7?variant=1154323053> Downloaded Oct. 20, 2016, 8Page.
 “iPhone 5.5s Case Tough Armor,” <http://www.spigen.com/products/iphone-5s-5-case-tough-armor?variant=1165533125> Downloaded Oct. 20, 2016, 5Page.
 “Tough Armor Iphone SE Case,” <http://www.spigen.com/products/iphone-se-case-tough-armor?variant=16524825729> Downloaded Oct. 20, 2016, 7Page.
 “iPhone 6 Case Tough Armor FX.” <http://www.spigen.com/products/iphone-6-case-tough-armor-fx-4-7?variant=1151179433> Downloaded Oct. 20, 2016, 8Page.
 “iPhone 6 Case Tough Armor S,” <http://www.spigen.com/products/iphone-6-case-tough-armor-s-4-7?variant=1154344701> Downloaded Oct. 20, 2016, 8Page.
 “iPhone 6S Plus Case Tough Armor,” <http://www.spigen.com/products/iphone-6s-plus-case-tough-armor?variant=4039960961> Downloaded Oct. 20, 2016, 8Page.
 “iPhone 6S Case Tough Armor,” <http://www.spigen.com/products/iphone-6s-case-tough-armor?variant=5904808705> Downloaded Oct. 20, 2016, 7Page.
 “iPhone 6S Plus Case Tough Armor Tech,” <http://www.spigen.com/products/iphone-6s-plus-case-tough-armor-tech?variant=5811399809> Downloaded Oct. 20, 2016, 8Page.
 “iPhone 6S Case Tough Armor Tech,” <http://www.spigen.com/products/iphone-6s-case-tough-armor-tech?variant=5811305217> Downloaded Oct. 20, 2016, 7Page.
 “iPhone 6S/6 Case Tough Armor Volt,” <http://www.spigen.com/products/iphone-6-case-tough-armor-volt-4-7> Downloaded Oct. 20, 2016, 6Page.

* cited by examiner

FIG. 1

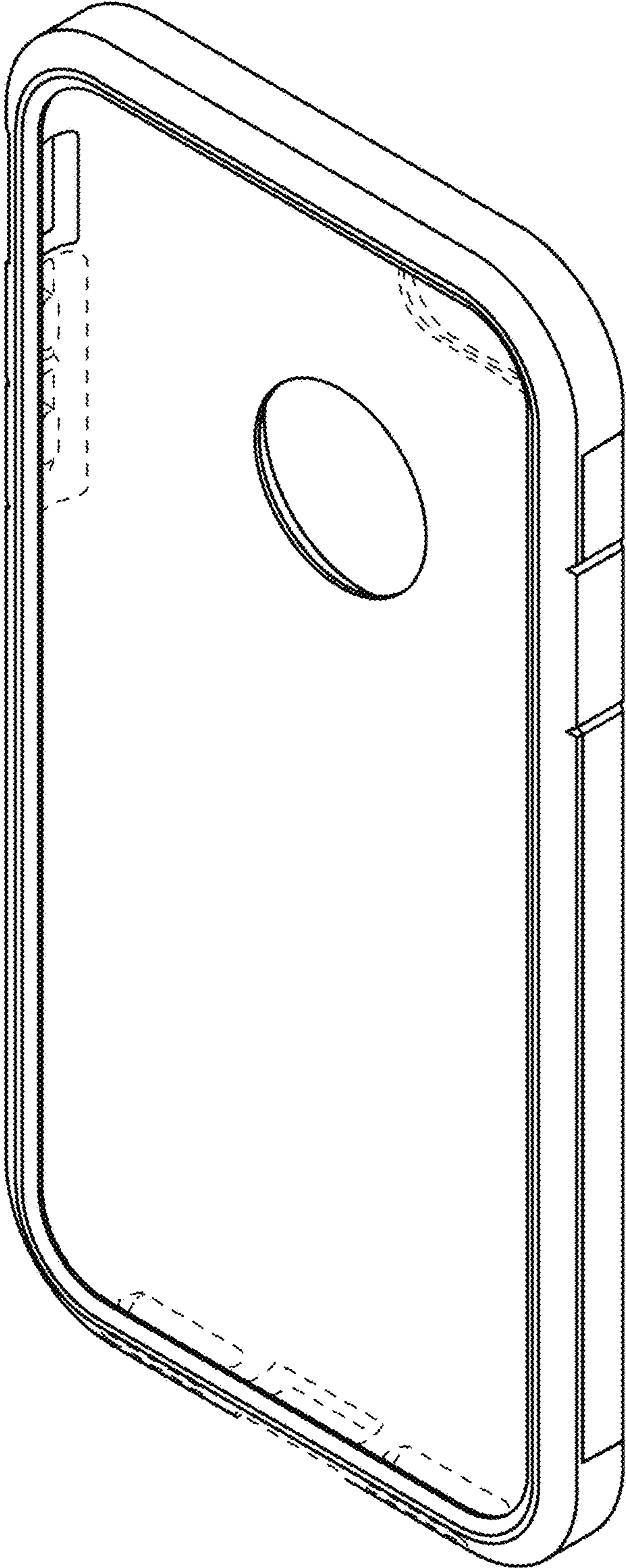


FIG. 2

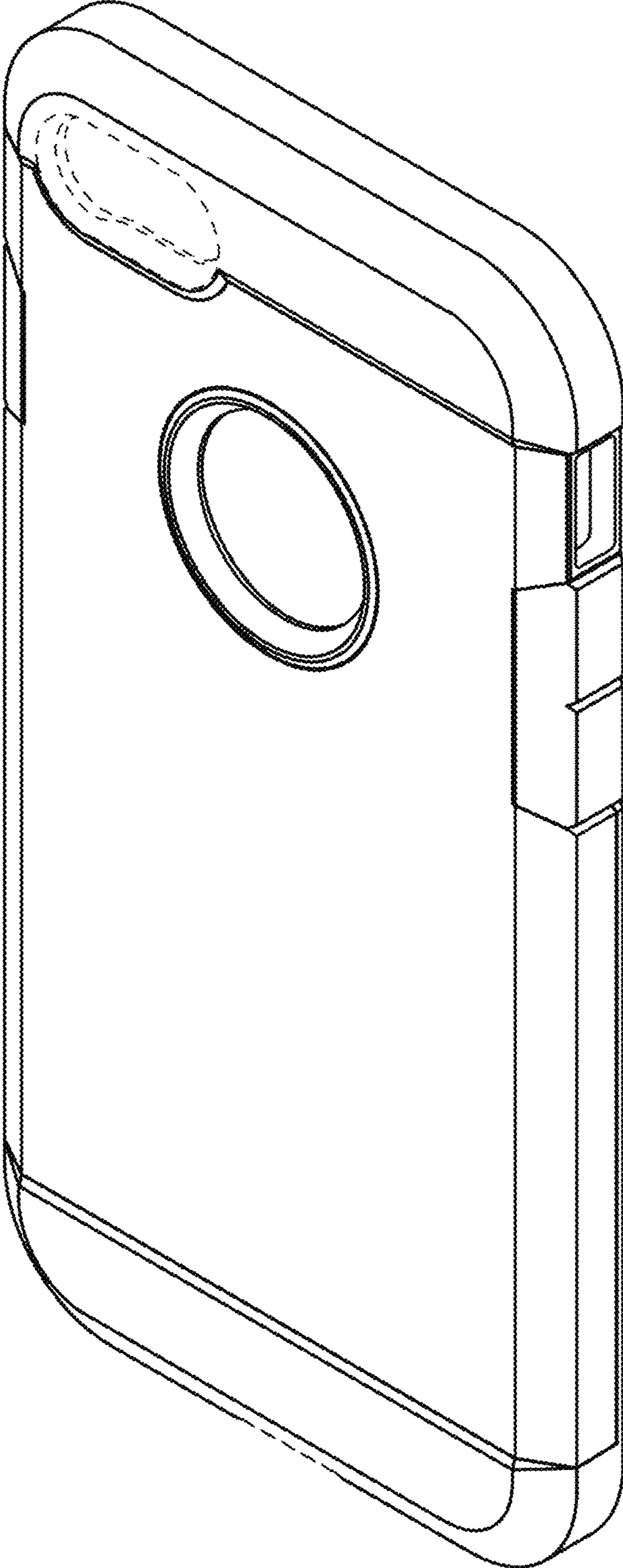


FIG. 3

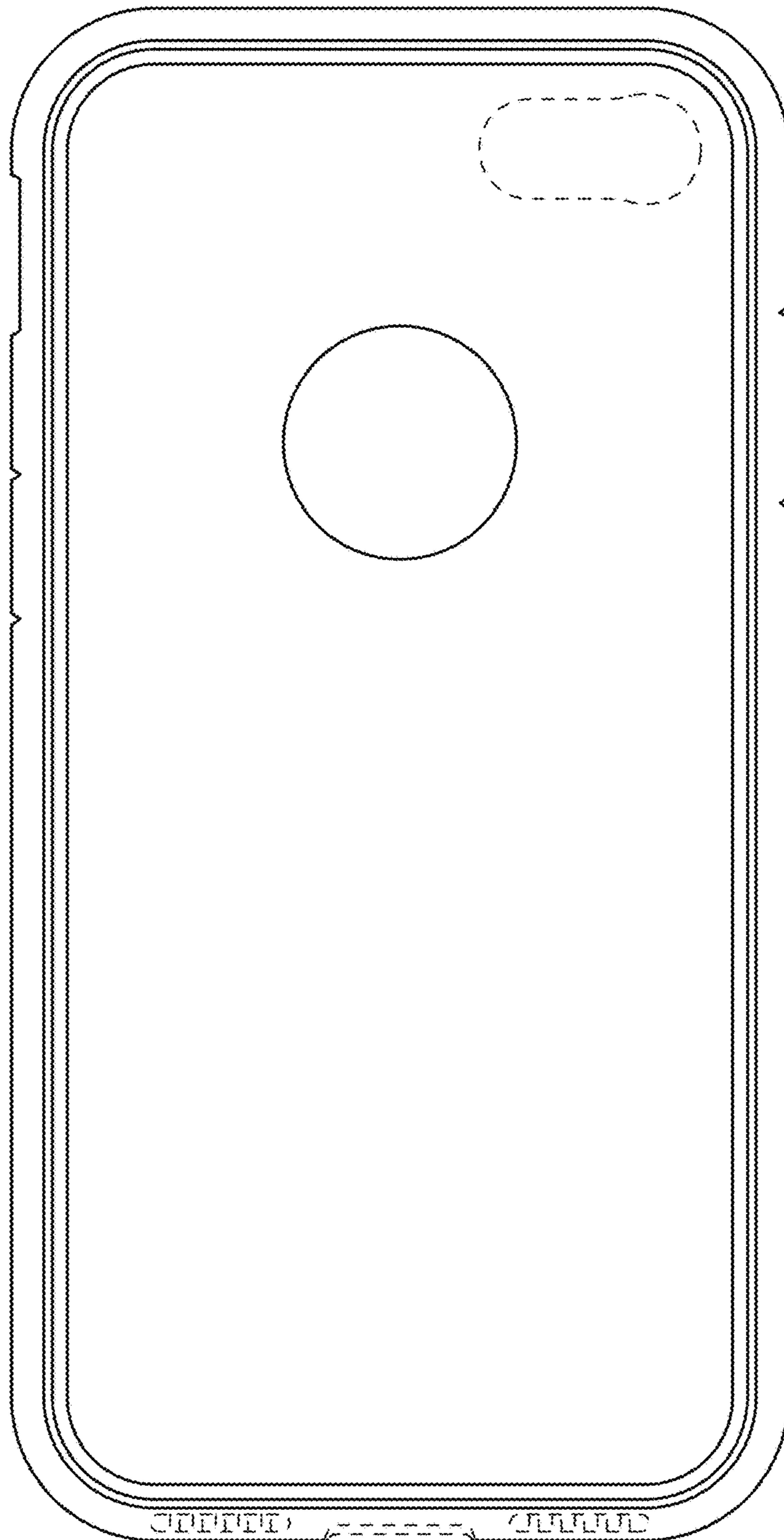


FIG. 4

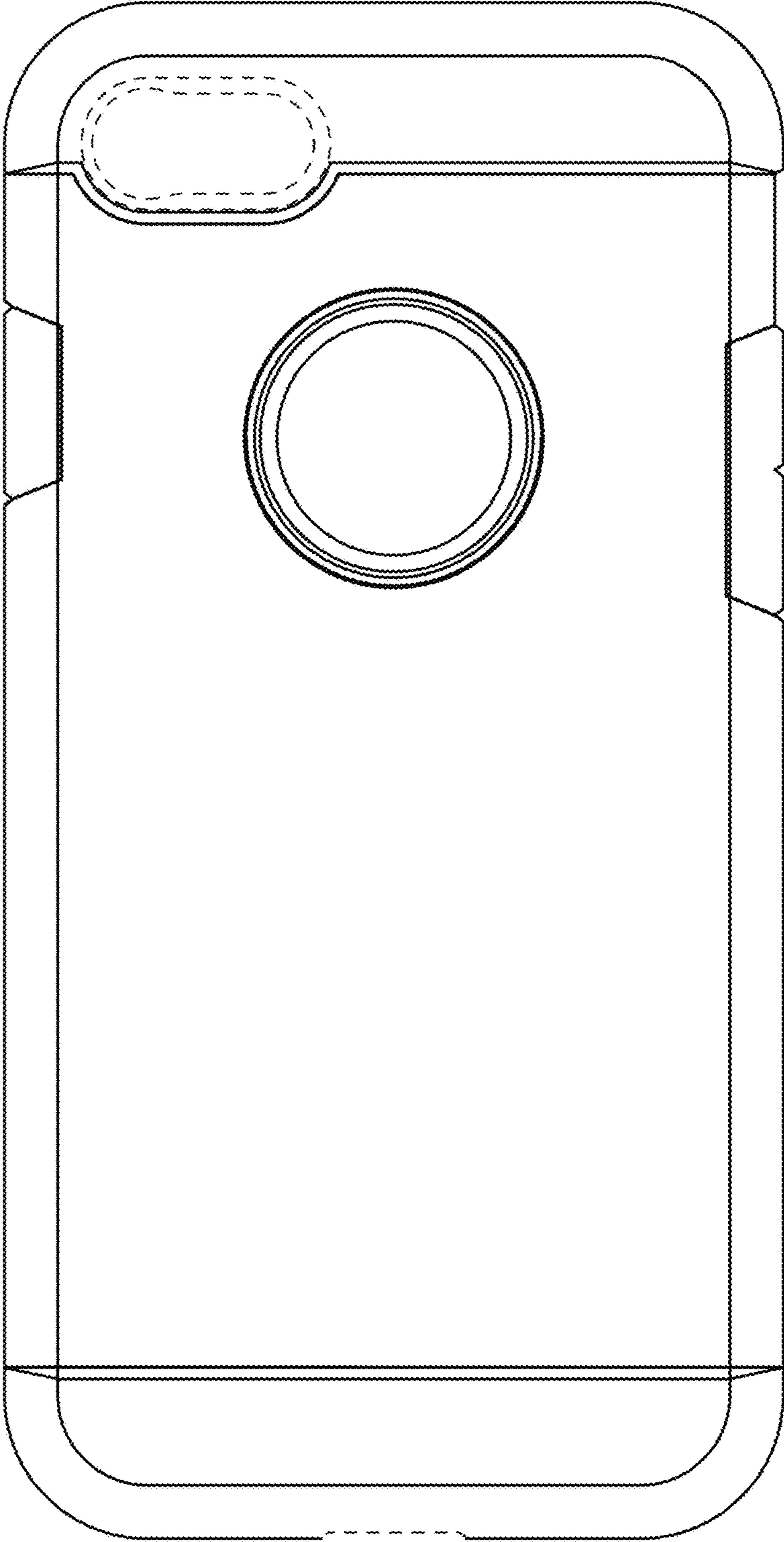


FIG. 5

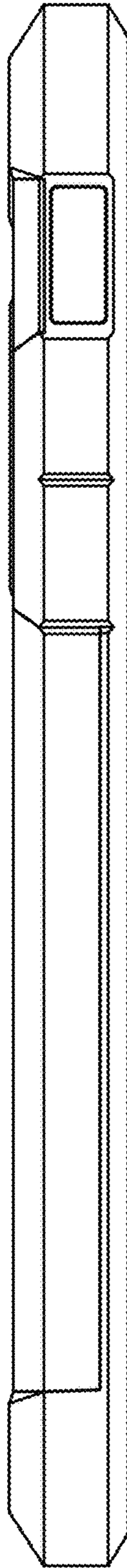


FIG. 6

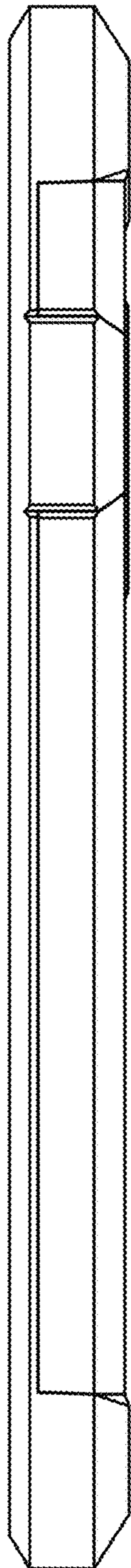


FIG. 7

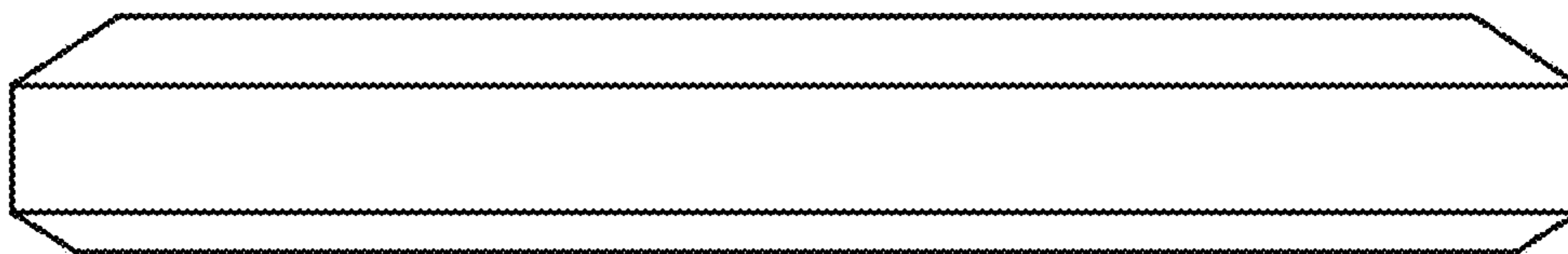


FIG. 8

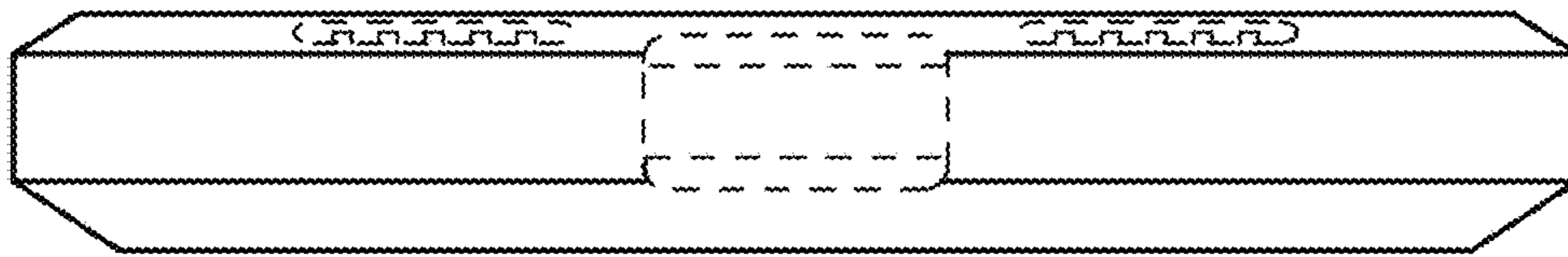


FIG. 9

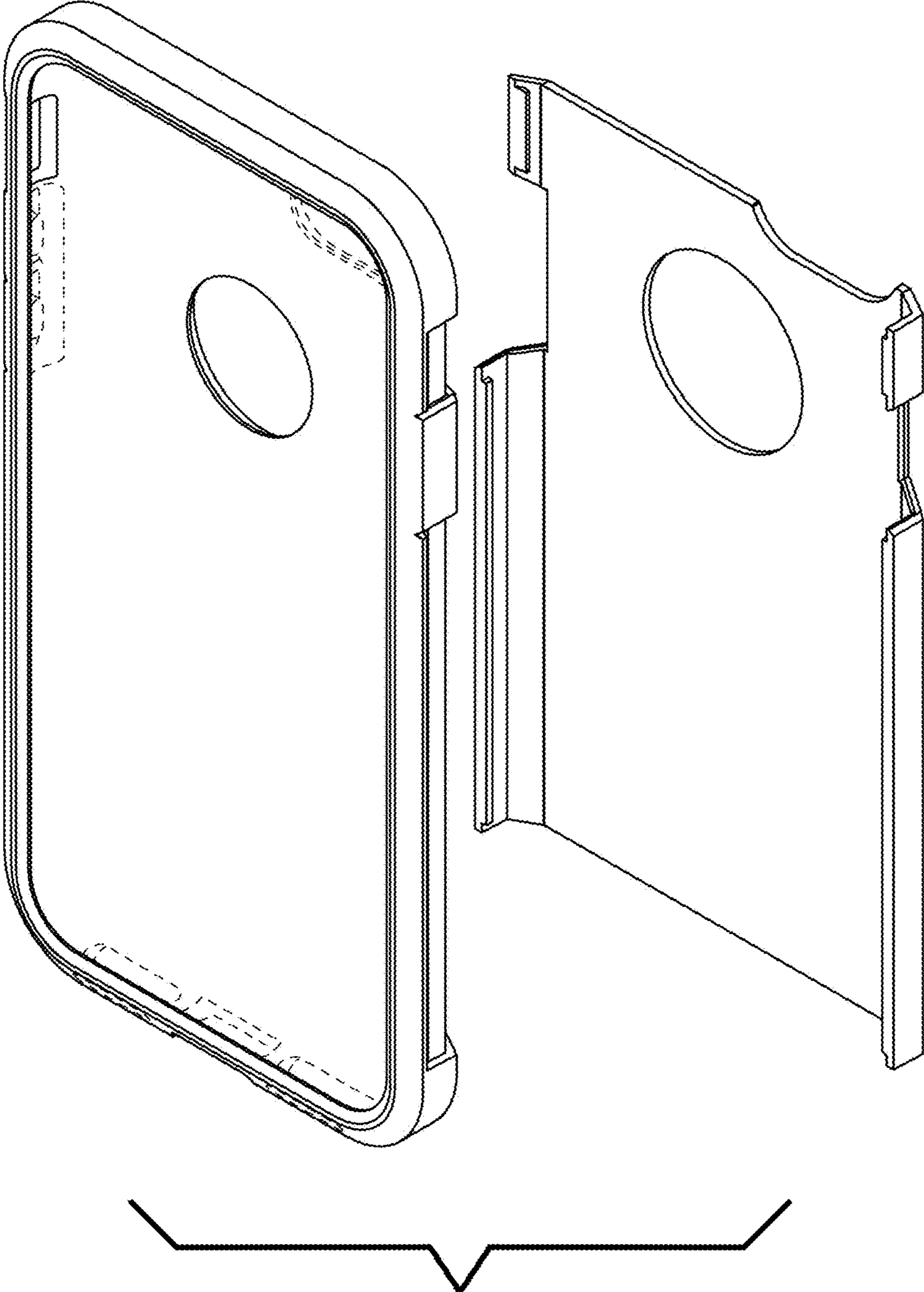


FIG. 10

