



US00D820243S

(12) United States Design Patent
Dalmazzo**(10) Patent No.: US D820,243 S**
(45) Date of Patent: ** Jun. 12, 2018

- (54) **ANTENNA ALIGNMENT DEVICE**
- (71) Applicant: **Enzo Dalmazzo**, Miami, FL (US)
- (72) Inventor: **Enzo Dalmazzo**, Miami, FL (US)
- (**) Term: **15 Years**
- (21) Appl. No.: **29/561,268**
- (22) Filed: **Apr. 14, 2016**

D366,877 S * 2/1996 Gipson D14/238
 5,760,751 A * 6/1998 Gipson H01Q 1/12
 248/529
 D396,041 S * 7/1998 Read D14/238
 5,929,816 A * 7/1999 Gross H01Q 1/1221
 343/705

(Continued)

FOREIGN PATENT DOCUMENTS

DE 102005040414 A1 3/2007
 WO 2011080742 A1 7/2011
 WO 2015138000 A1 9/2015

Related U.S. Application Data

- (60) Division of application No. 14/213,076, filed on Mar. 14, 2014, and a division of application No. 14/483,790, filed on Sep. 11, 2014, now Pat. No. 9,711,842, which is a continuation-in-part of application No. 14/213,076, filed on Mar. 14, 2014.
- (51) **LOC (11) Cl.** **14-03**
- (52) **U.S. Cl.**
 USPC **D14/238**
- (58) **Field of Classification Search**
 USPC D14/138, 230, 231, 232, 233, 234, 235, D14/236, 237, 238, 238.1, 299, 358; D13/175, 182
 CPC G01R 29/10; G01S 2013/0245; G01S 2013/0254; G01S 2013/0263; G01S 7/4026; G05B 2219/45001; G06K 19/07773; G06K 19/07775; G06K 19/07777; G08B 13/2468; G08B 13/2477; H01Q 1/088
 See application file for complete search history.

(56) References Cited

U.S. PATENT DOCUMENTS

2,979,676 A * 4/1961 Rueger H01P 5/107
 333/238
 4,101,892 A 7/1978 Alford
 5,126,751 A * 6/1992 Wada H01Q 1/286
 343/772
 D358,820 S * 5/1995 Gunnarsson D14/238

OTHER PUBLICATIONS

<http://3ztelecom.com/shop/3z-rf-aligner-antenna-alignment-tool/>—
 Retrieved Jul. 17, 2017.*

(Continued)

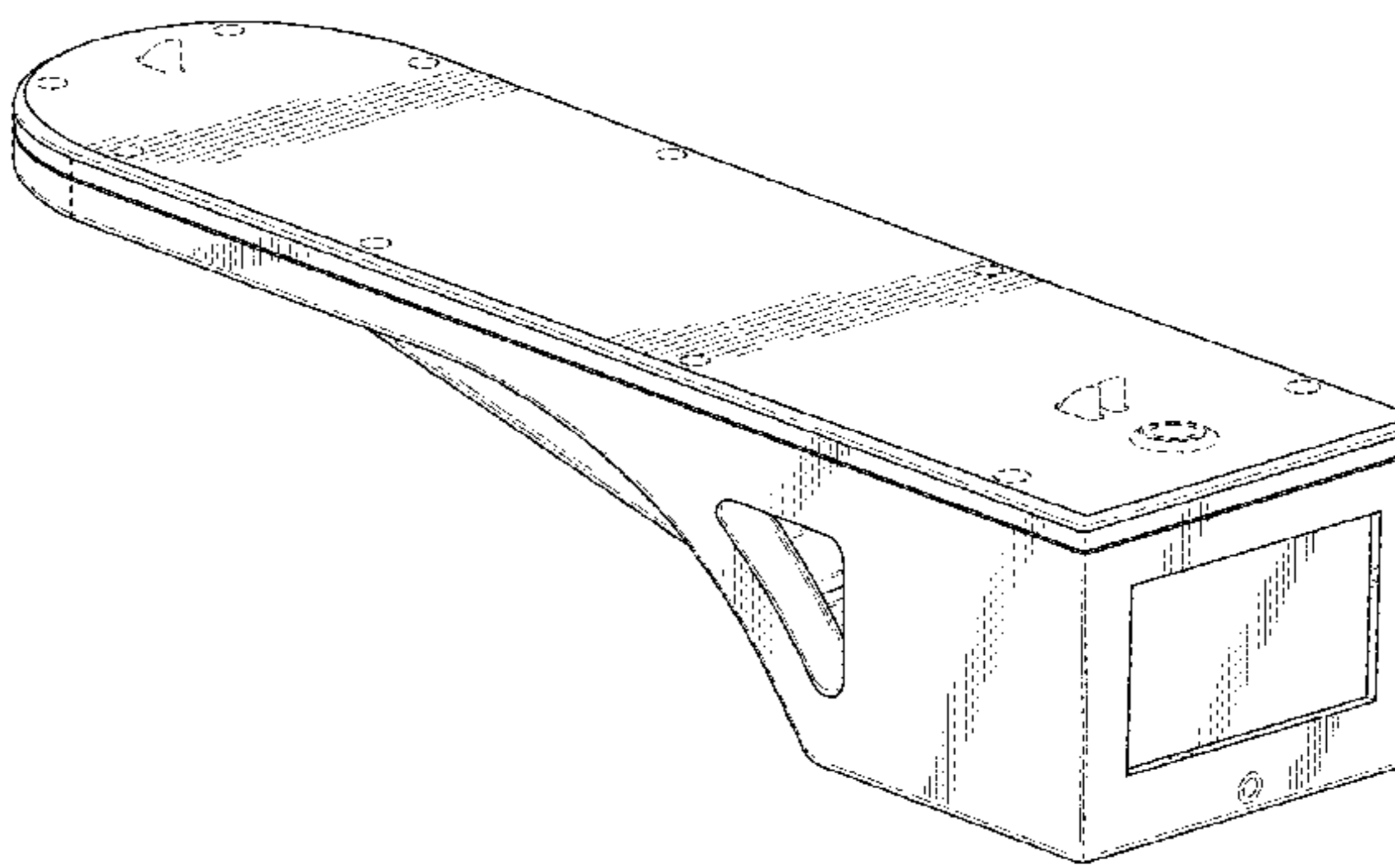
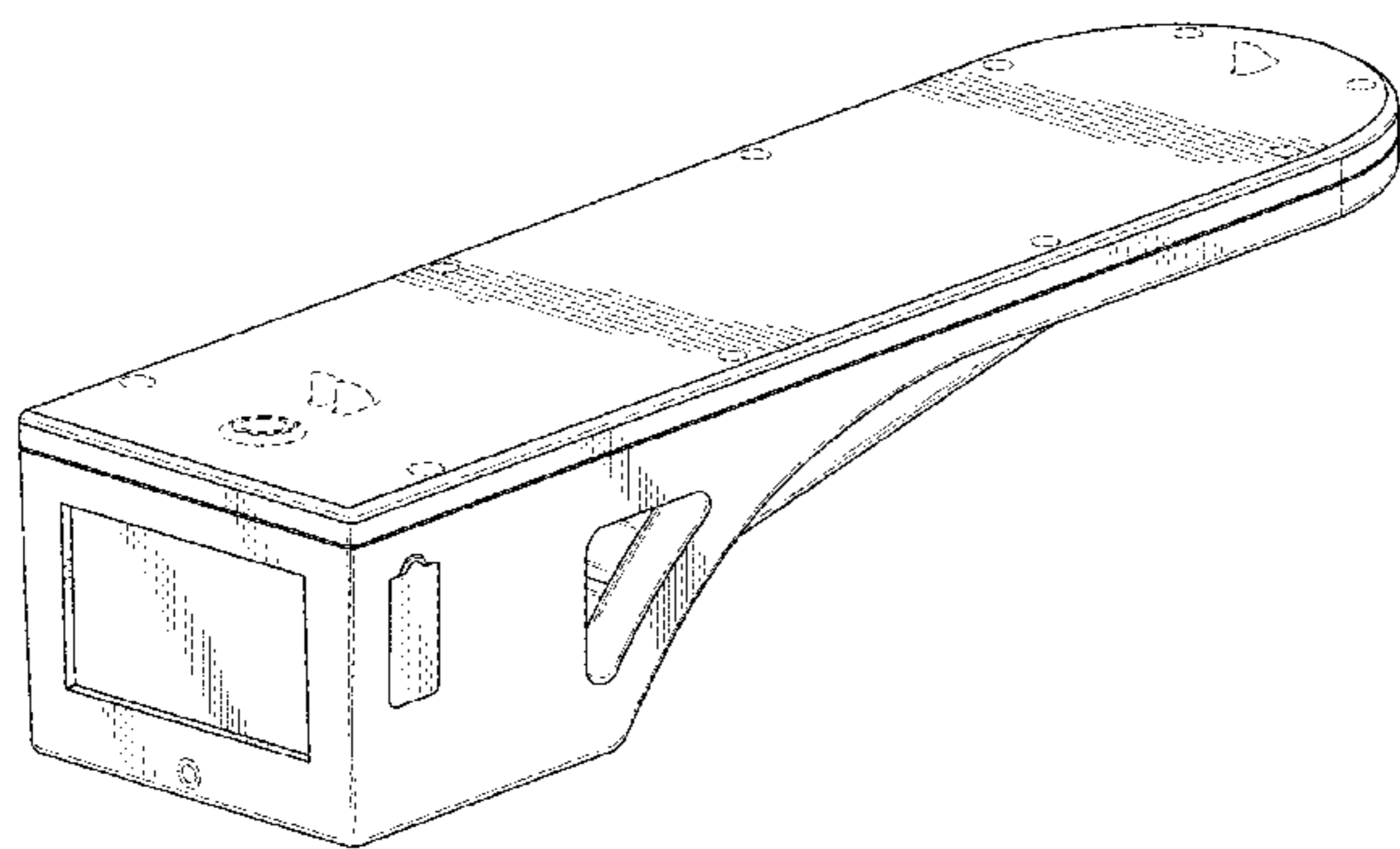
Primary Examiner — Manpreet S Matharu
Assistant Examiner — Mojtaba Tehrani
 (74) *Attorney, Agent, or Firm* — Mayback + Hoffman,
 P.A.; Gregory L. Mayback

(57) CLAIM

The ornamental design for an antenna alignment device, as shown and described.

DESCRIPTION

FIG. 1 is a right rear perspective view of an antenna alignment device, showing my new design; FIG. 2 is a left rear perspective view thereof; FIG. 3 is a left side elevation view thereof; FIG. 4 is a right side elevation view thereof; FIG. 5 is a top plan view thereof; FIG. 6 is a bottom plan view thereof; FIG. 7 is a front elevation view thereof; and, FIG. 8 is a rear elevation view thereof. The broken lines in the figure drawings represent unclaimed portion of the design only and form no part of the claim.

1 Claim, 3 Drawing Sheets

(56)

References Cited

U.S. PATENT DOCUMENTS

5,933,123	A	8/1999	Kaul	
6,897,828	B2	5/2005	Boucher	
7,180,451	B2	2/2007	Silzer, Jr.	
7,786,937	B1	8/2010	Stierhoff et al.	
8,018,374	B2	9/2011	Imai et al.	
8,077,113	B2	12/2011	Syed et al.	
8,188,714	B2	5/2012	Petrick et al.	
8,446,335	B2	5/2013	Frank	
8,610,629	B2	12/2013	Pascolini	
8,665,160	B2	3/2014	Uttermann	
2002/0028654	A1	3/2002	Gleyzes et al.	
2005/0035923	A1	2/2005	Syed et al.	
2009/0021447	A1*	1/2009	Austin	H01Q 1/125 343/880
2009/0201203	A1	8/2009	Le Sage et al.	
2010/0008028	A1	1/2010	Richardson et al.	
2011/0036747	A1	2/2011	Petrick et al.	
2011/0090118	A1	4/2011	Raeder	
2011/0225804	A1	9/2011	Clifford et al.	
2011/0228192	A1	9/2011	Hollaway	
2012/0105300	A1	5/2012	Ando et al.	

2012/0319895	A1	12/2012	Bruchiel
2013/0012261	A1	1/2013	Zhu
2014/0016331	A1	1/2014	Ting
2014/0051945	A1	2/2014	Sarasua et al.
2015/0130672	A1	5/2015	Cordone
2016/0020504	A1	1/2016	Michaelis et al.

OTHER PUBLICATIONS

<https://www.youtube.com/watch?v=T-JEMNx61nA>—Published Oct. 14, 2013.*
 International Search Report and Written Opinion for International Application No. PCT/U52014/055297 dated Dec. 16, 2014.
 Multiwavessensors—Innovative Sensor Products; Apr. 5, 2016; <http://www.mutiwavesensors.com>.
 spaa05.com SPAA05-EHC Specification; Dec. 10, 2010; <http://www.spaa05.com/products/tools/ehc/index.php>.
 Sunsight Instruments Antenna Alignment Solutions/Microwave/GPS/Azimuth Tools; Apr. 5, 2016; <https://www.sunsight.com>.
 European Search Report of European Patent App. No. 17170109.7 dated Jan. 4, 2018.

* cited by examiner

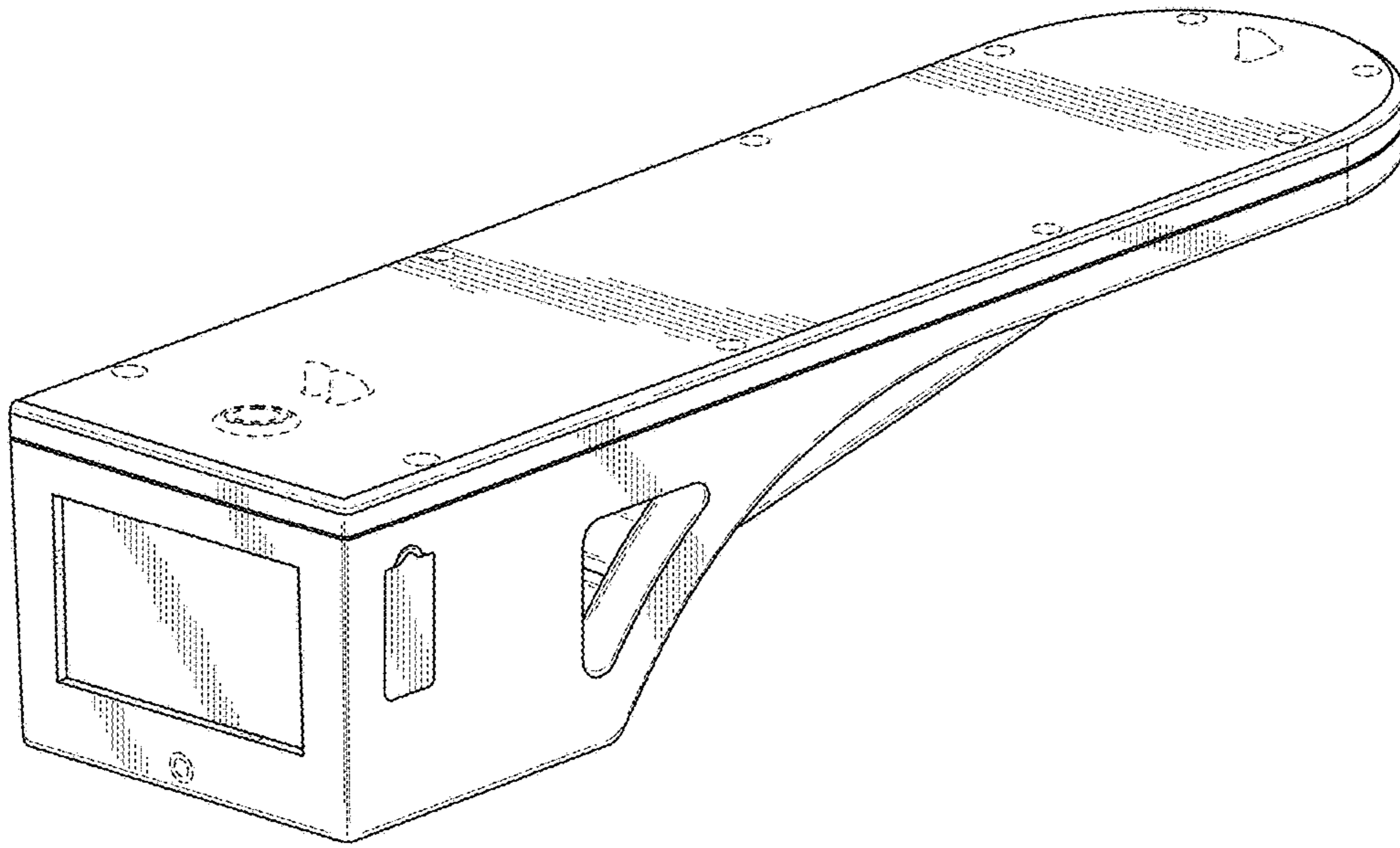


FIG. 1

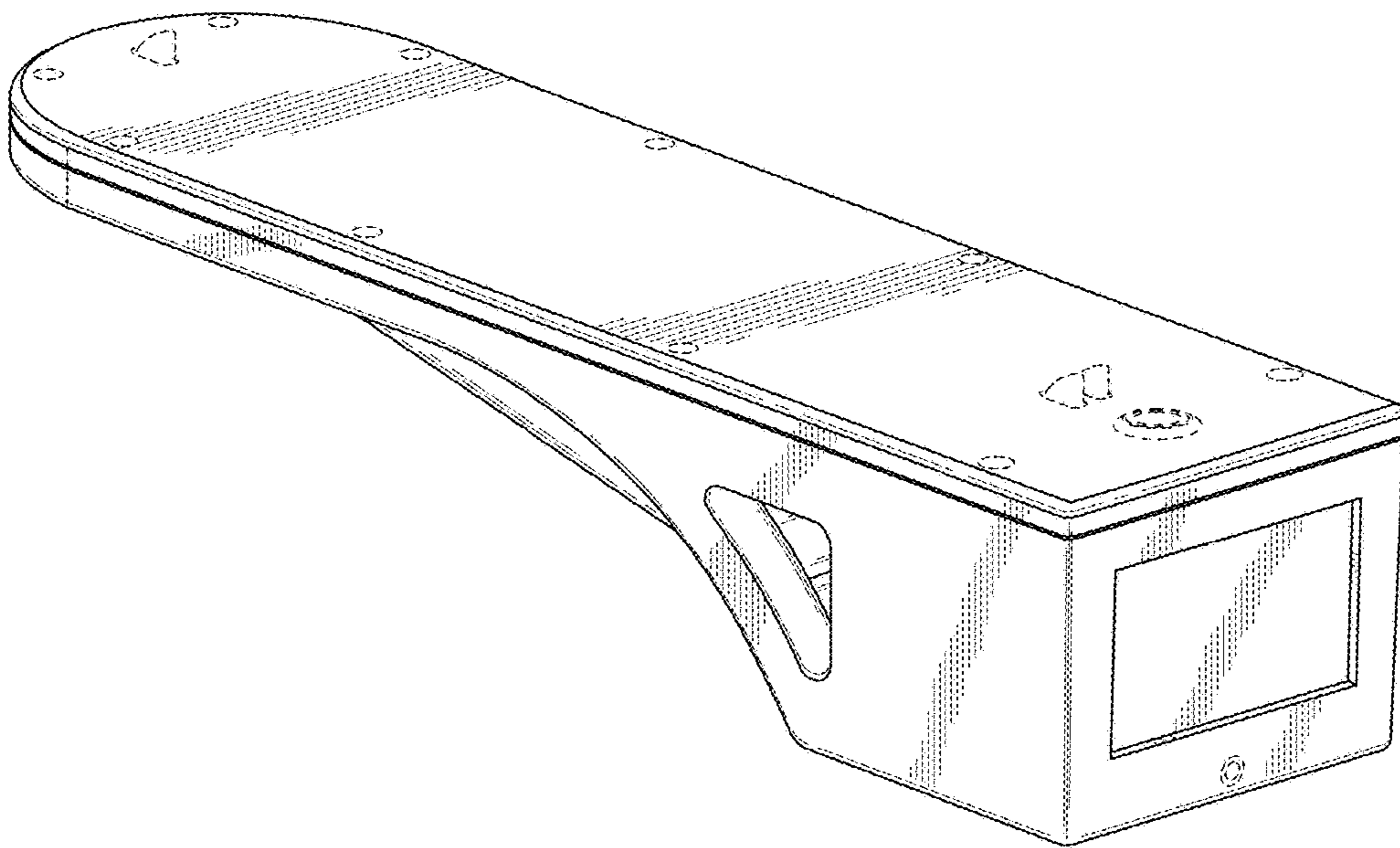


FIG. 2

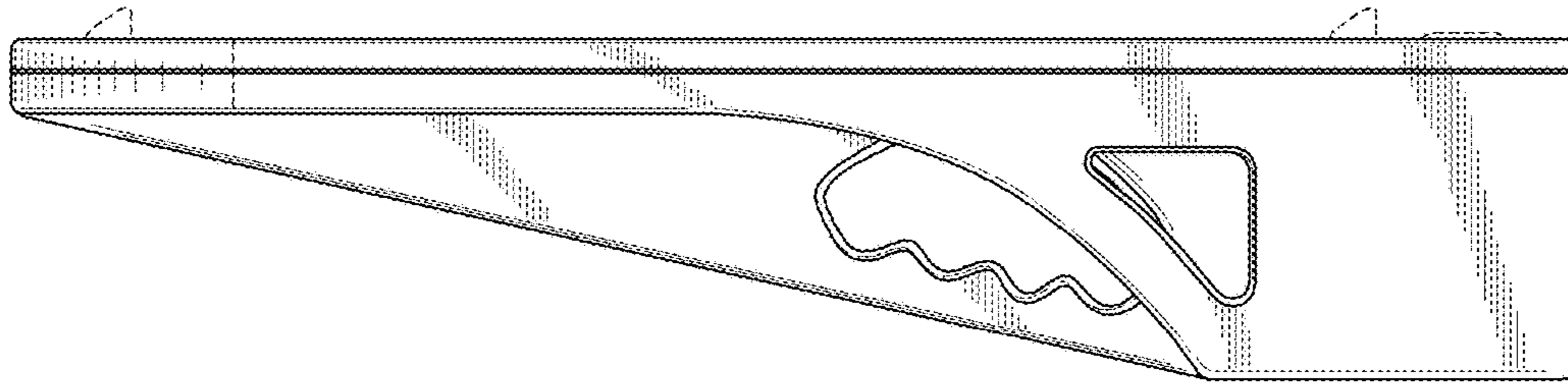


FIG. 3

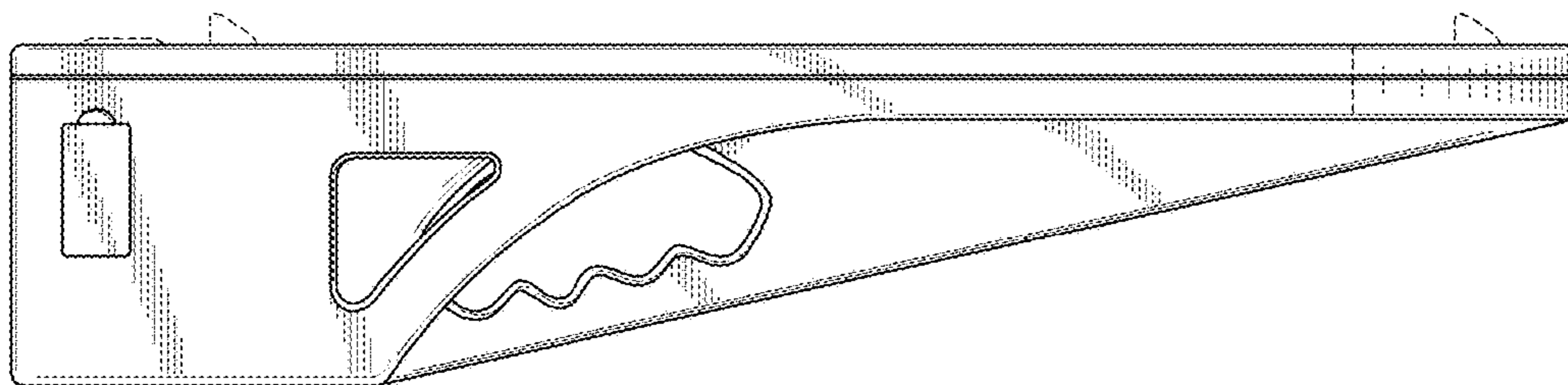


FIG. 4

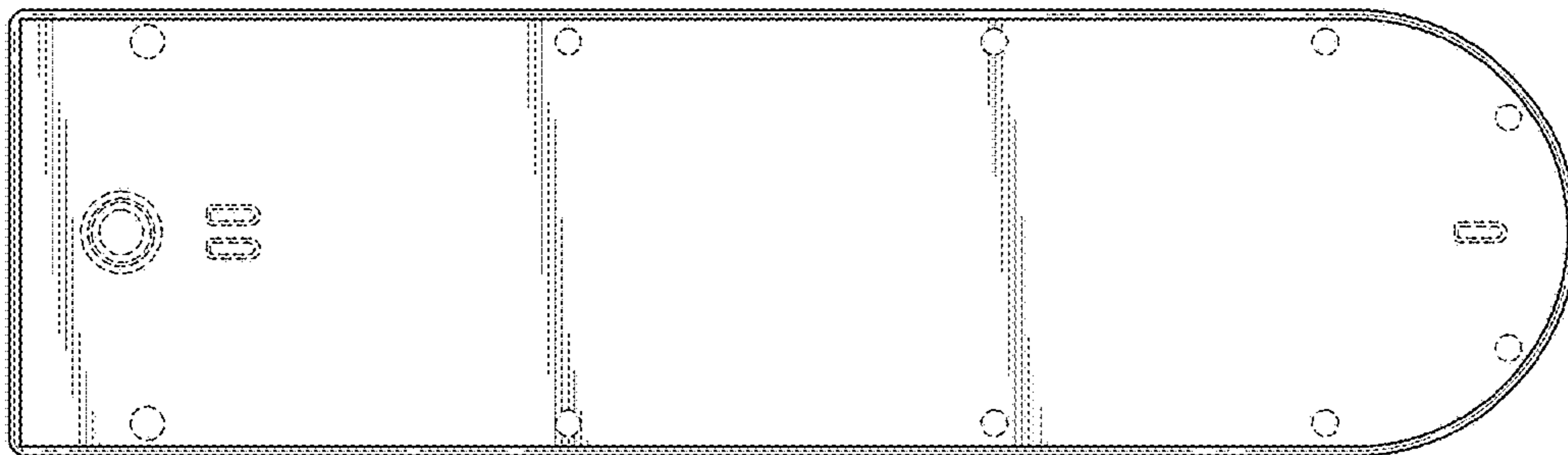


FIG. 5

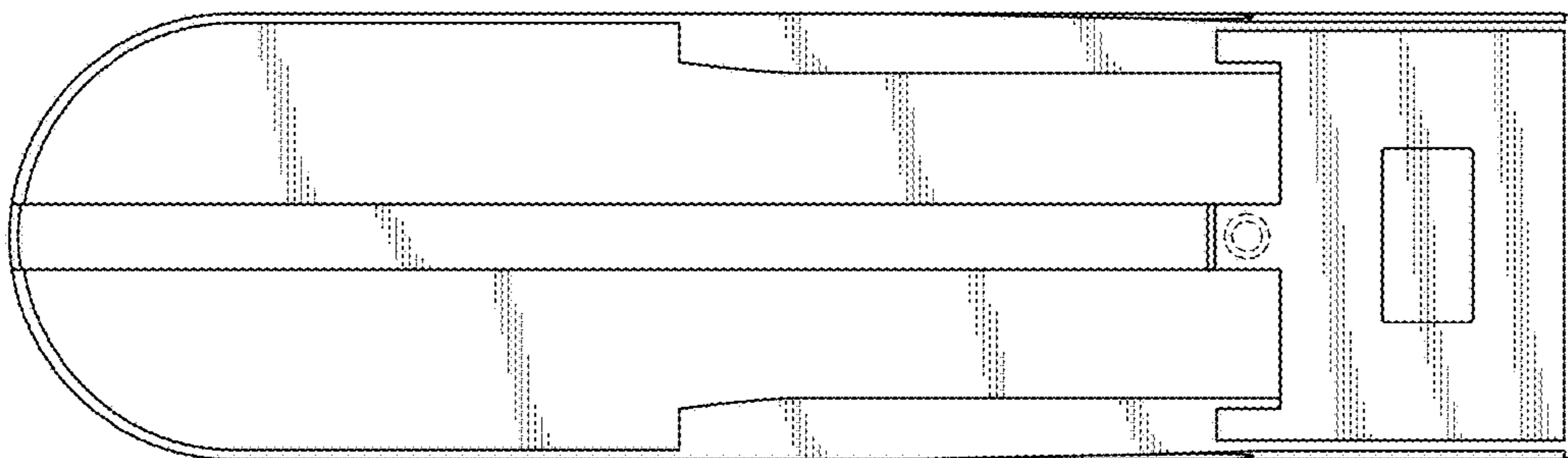


FIG. 6

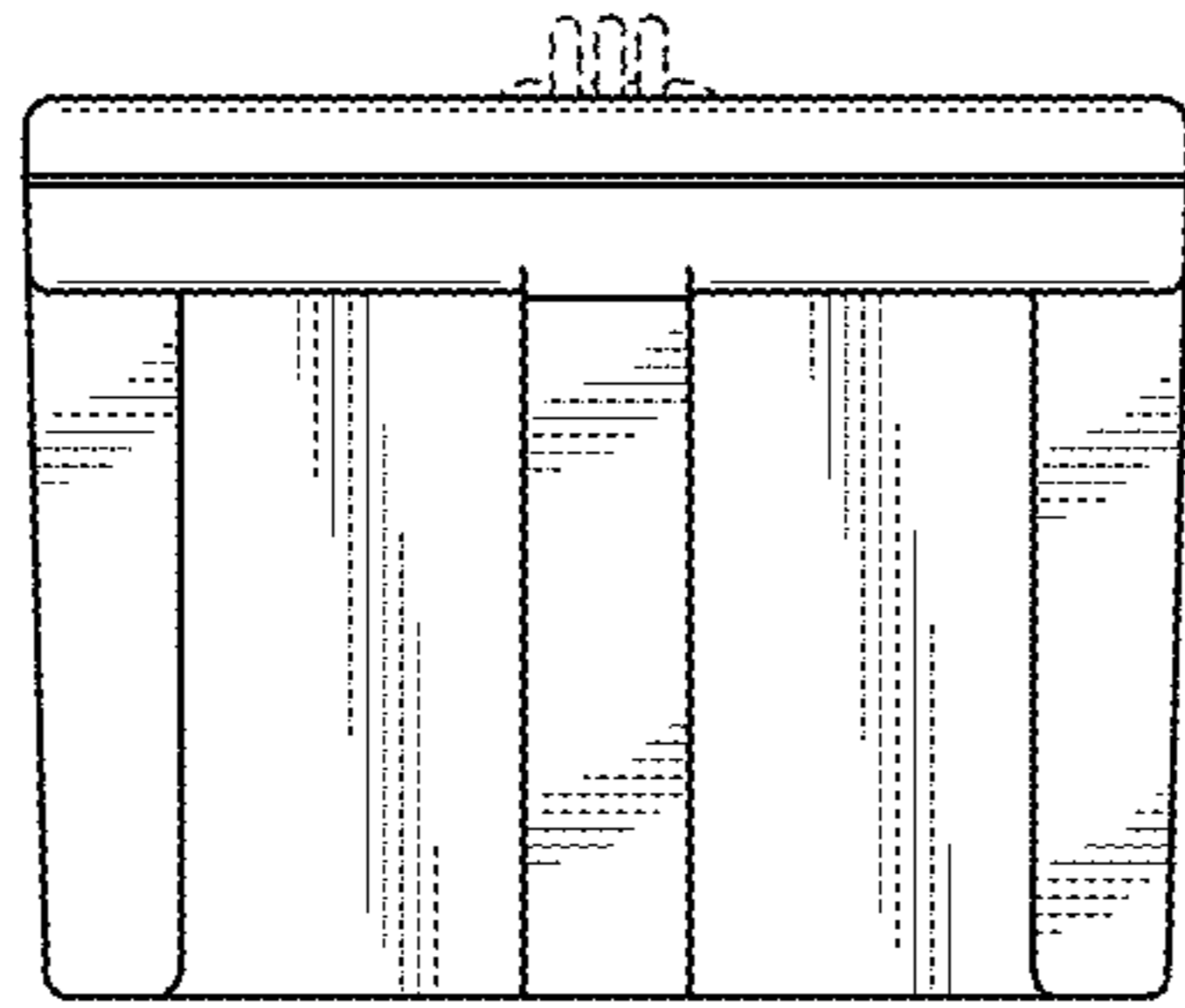


FIG. 7

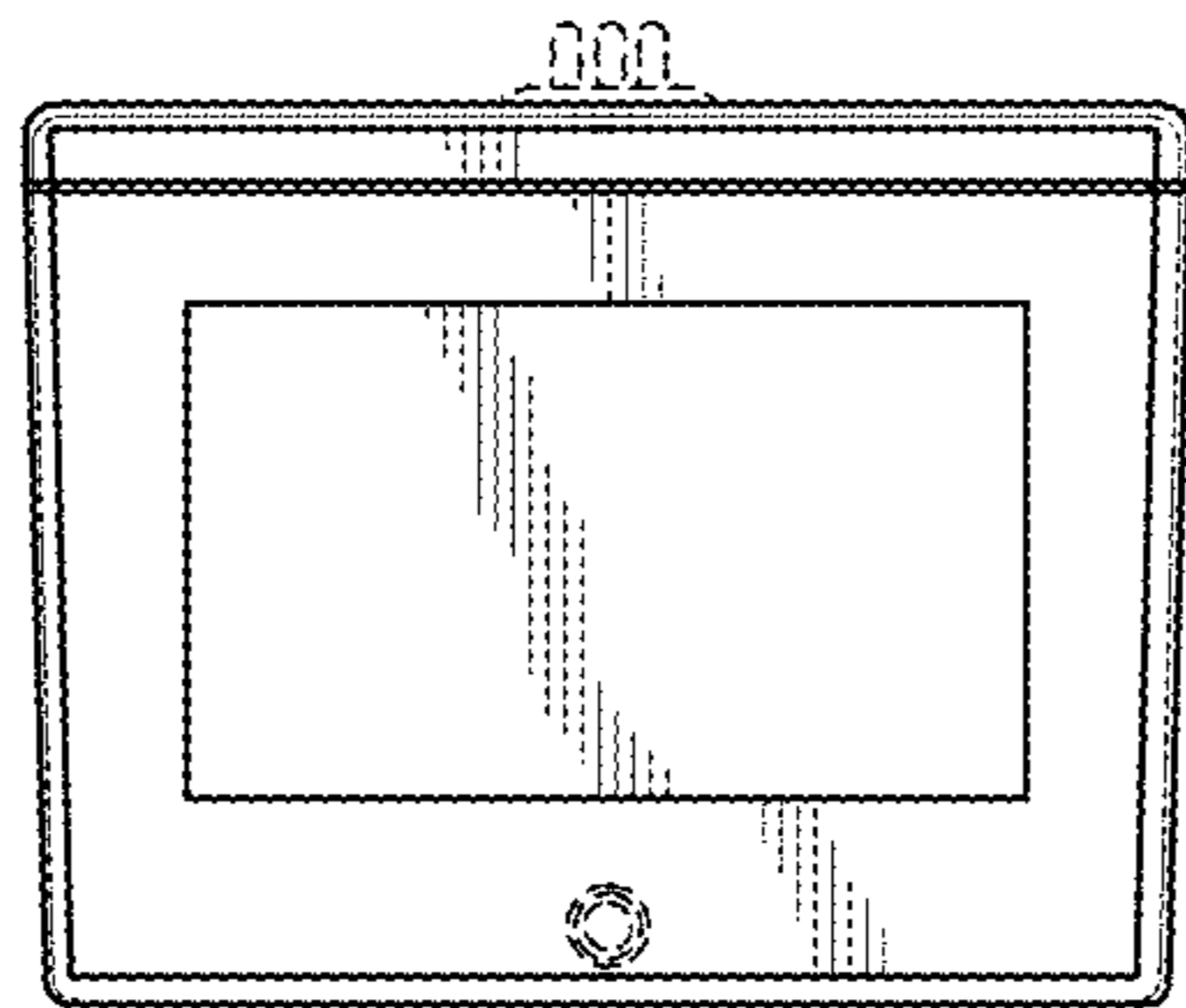


FIG. 8