



US00D820242S

(12) **United States Design Patent**
Ku et al.

(10) **Patent No.:** **US D820,242 S**
(45) **Date of Patent:** **** Jun. 12, 2018**

- (54) **ANTENNA**
- (71) Applicant: **Wistron NeWeb Corp.**, Hsinchu (TW)
- (72) Inventors: **Kuang-Yuan Ku**, Hsinchu (TW);
Tsun-Che Huang, Hsinchu (TW)
- (73) Assignee: **WISTRON NEWEB CORP.**, Hsinchu (TW)
- (**) Term: **15 Years**
- (21) Appl. No.: **29/589,023**
- (22) Filed: **Dec. 27, 2016**
- (51) **LOC (11) Cl.** **14-03**
- (52) **U.S. Cl.**
USPC **D14/230**
- (58) **Field of Classification Search**
USPC D12/138, 230–238.1, 240, 299, 358;
D14/42, 43
CPC H01L 33/48; H01L 23/02; H01Q 7/00;
H01Q 13/10
See application file for complete search history.

(56) **References Cited**

U.S. PATENT DOCUMENTS

7,061,437	B2 *	6/2006	Lin	H01Q 9/0421 343/700 MS
D535,290	S *	1/2007	Su	D14/230
D554,111	S *	10/2007	Su	D14/230
D635,964	S *	4/2011	Podduturi	D14/230
D636,382	S *	4/2011	Podduturi	D14/230
D689,474	S *	9/2013	Yang	D14/230
D694,738	S *	12/2013	Yang	D14/230
D703,196	S *	4/2014	Zheng	D14/230
D756,336	S *	5/2016	Podduturi	D14/230
D766,883	S *	9/2016	Yang	D14/230
D771,601	S *	11/2016	Chen	D14/230
D788,745	S *	6/2017	Forster	D14/230
D791,108	S *	7/2017	He	D14/230
D792,382	S *	7/2017	Gosalia	D14/230

D793,998	S *	8/2017	He	D14/230
D794,616	S *	8/2017	Gosalia	D14/230
D796,493	S *	9/2017	Podduturi	D14/230
2008/0150829	A1 *	6/2008	Lin	G06F 1/1616 343/860
2009/0135072	A1 *	5/2009	Ke	H01Q 1/36 343/700 MS
2012/0229348	A1 *	9/2012	Chiang	H01Q 1/2266 343/702

* cited by examiner

Primary Examiner — John Windmuller

Assistant Examiner — Benjamin M Weeks

(74) *Attorney, Agent, or Firm* — McClure, Qualey & Rodack, LLP

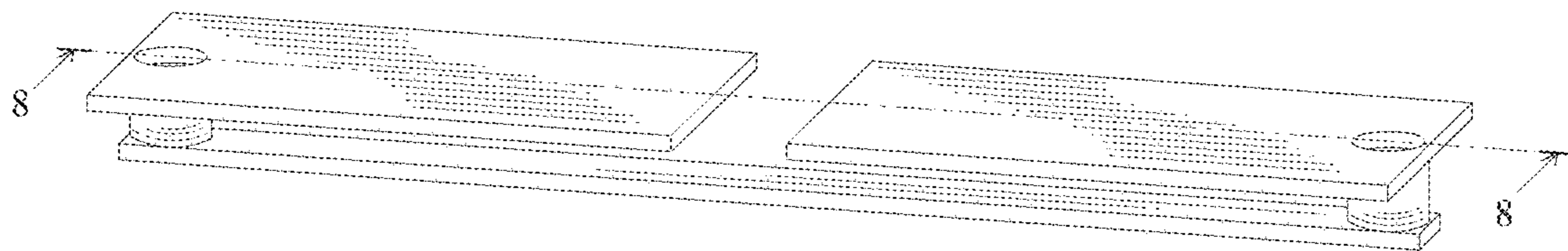
(57) **CLAIM**

The ornamental design for an antenna, is as shown and described.

DESCRIPTION

FIG. 1 is a perspective view of an antenna showing our new design;
 FIG. 2 is a front view thereof;
 FIG. 3 is a rear view thereof;
 FIG. 4 is a left side view thereof;
 FIG. 5 is a right side view thereof;
 FIG. 6 is a top view thereof;
 FIG. 7 is a bottom view thereof;
 FIG. 8 is a cross-sectional view taken along line 8-8 in FIG. 1;
 FIG. 9 is a reference perspective view showing the antenna disposed on a substrate and connected to a coaxial feeder; and,
 FIG. 10 is another reference perspective view showing the antenna connected to a coaxial feeder.
 In FIGS. 9 and 10, the broken lines depict environmental structure that forms no part of the claimed design.

1 Claim, 8 Drawing Sheets



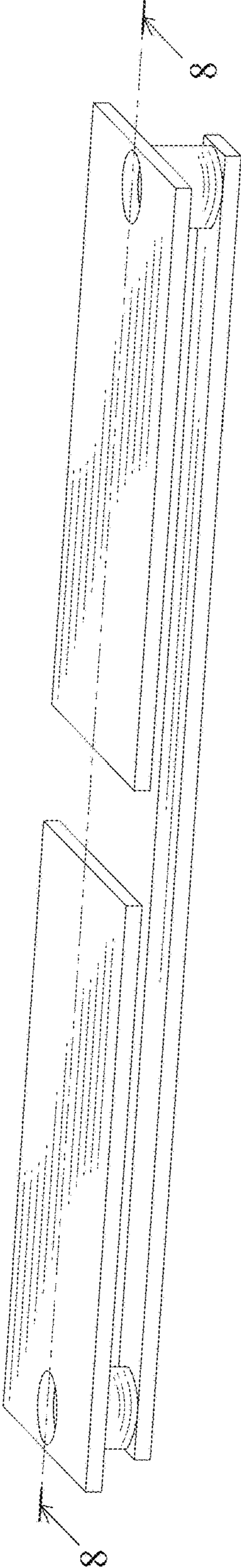


FIG. 1

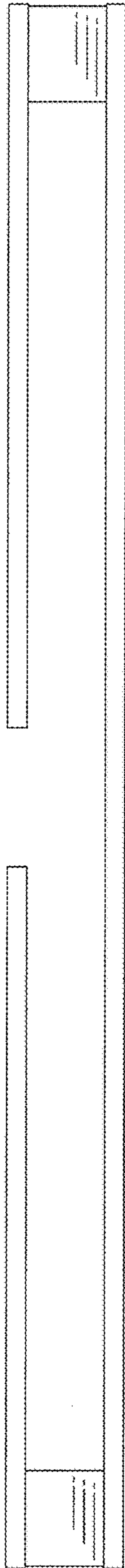


FIG. 2

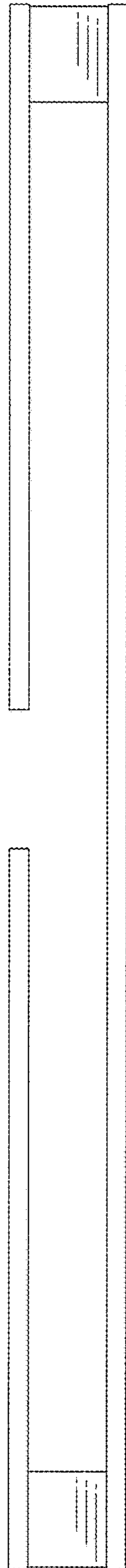


FIG. 3

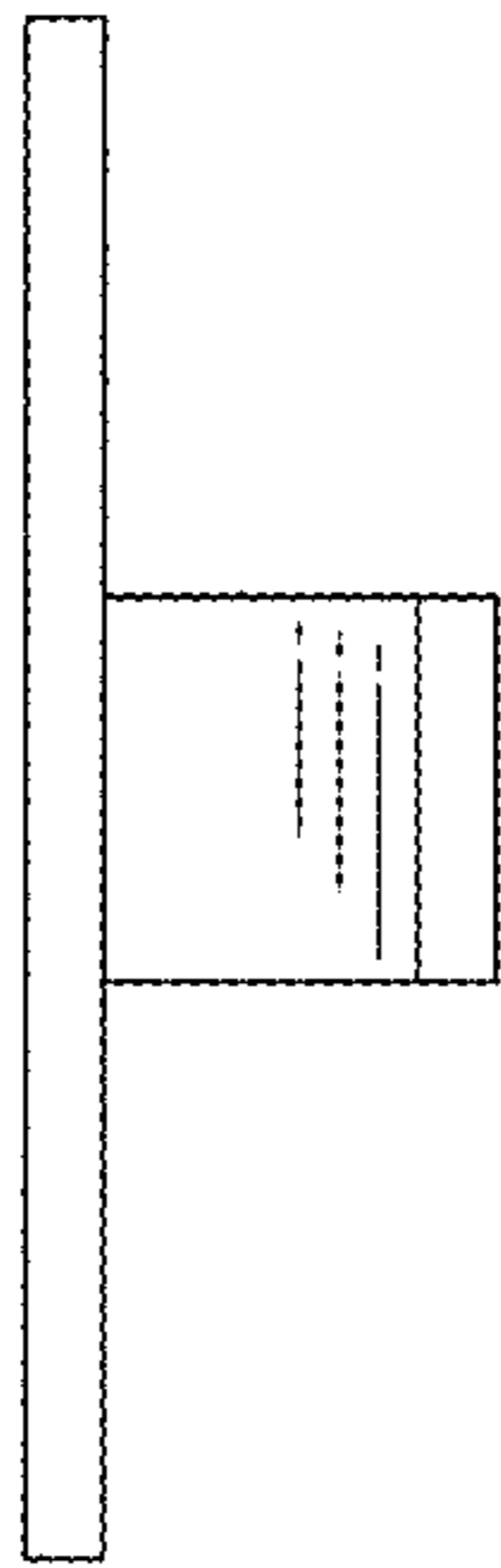


FIG. 4

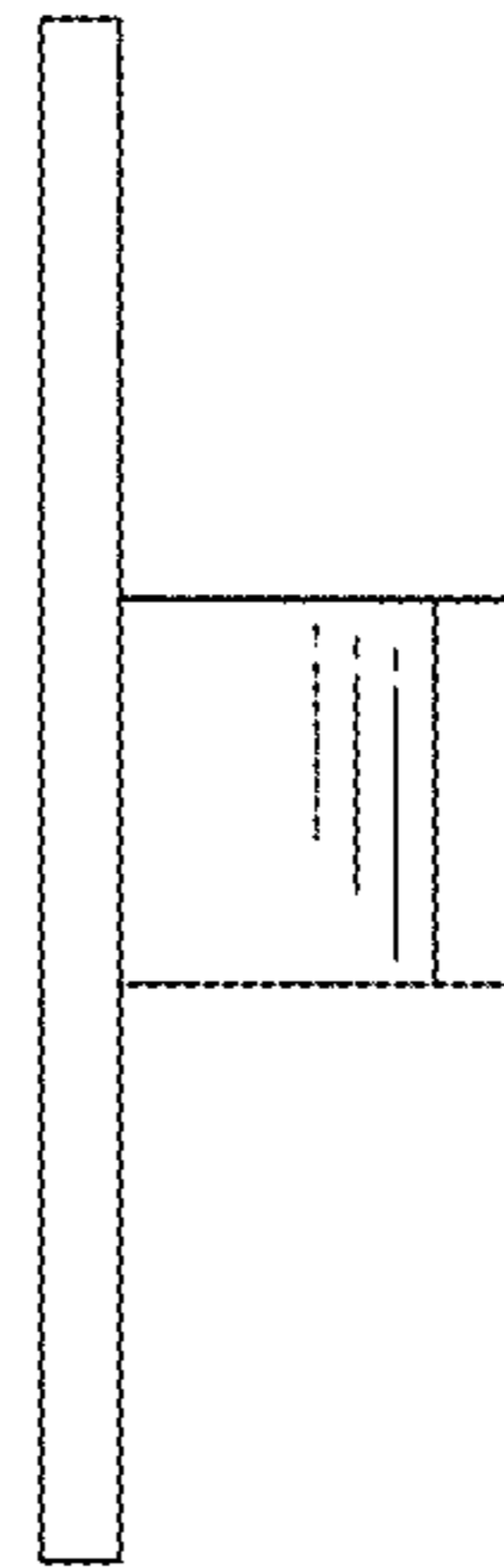


FIG. 5

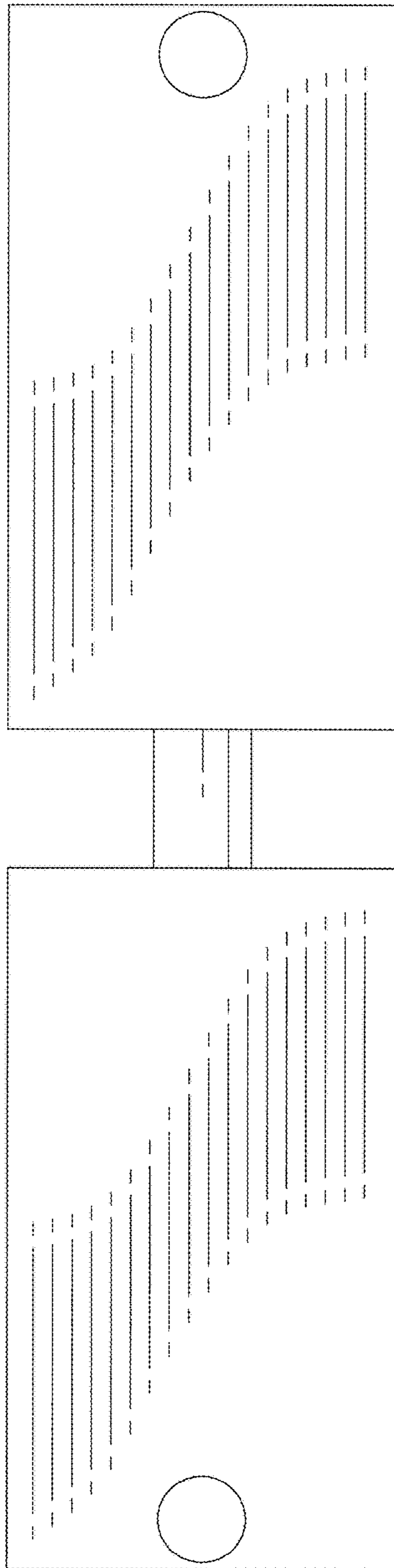


FIG. 6

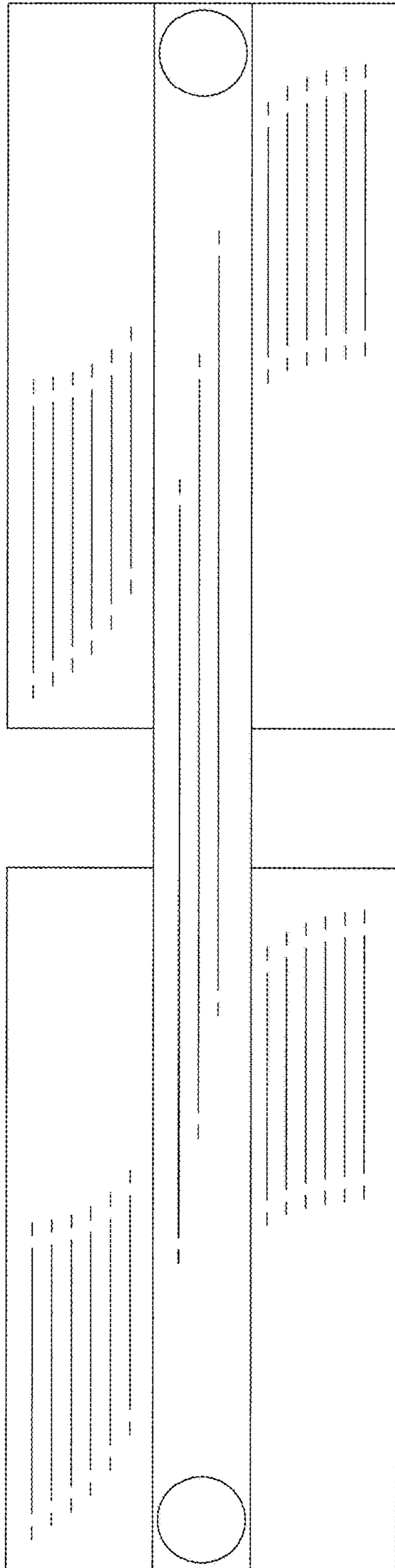


FIG. 7

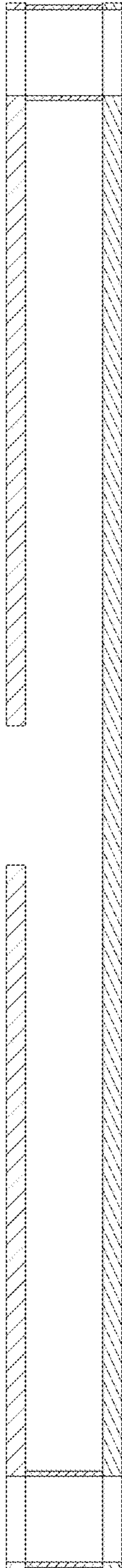


FIG. 8

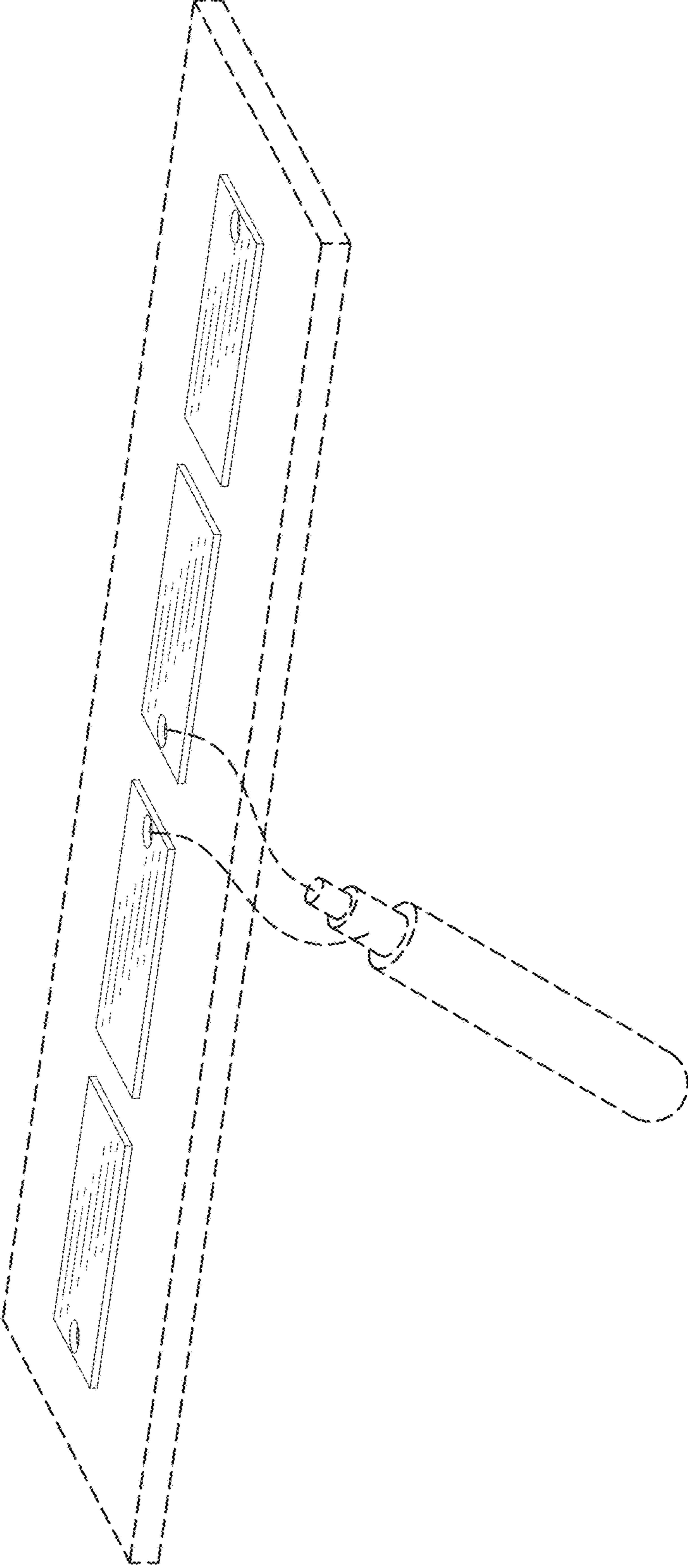


FIG. 9

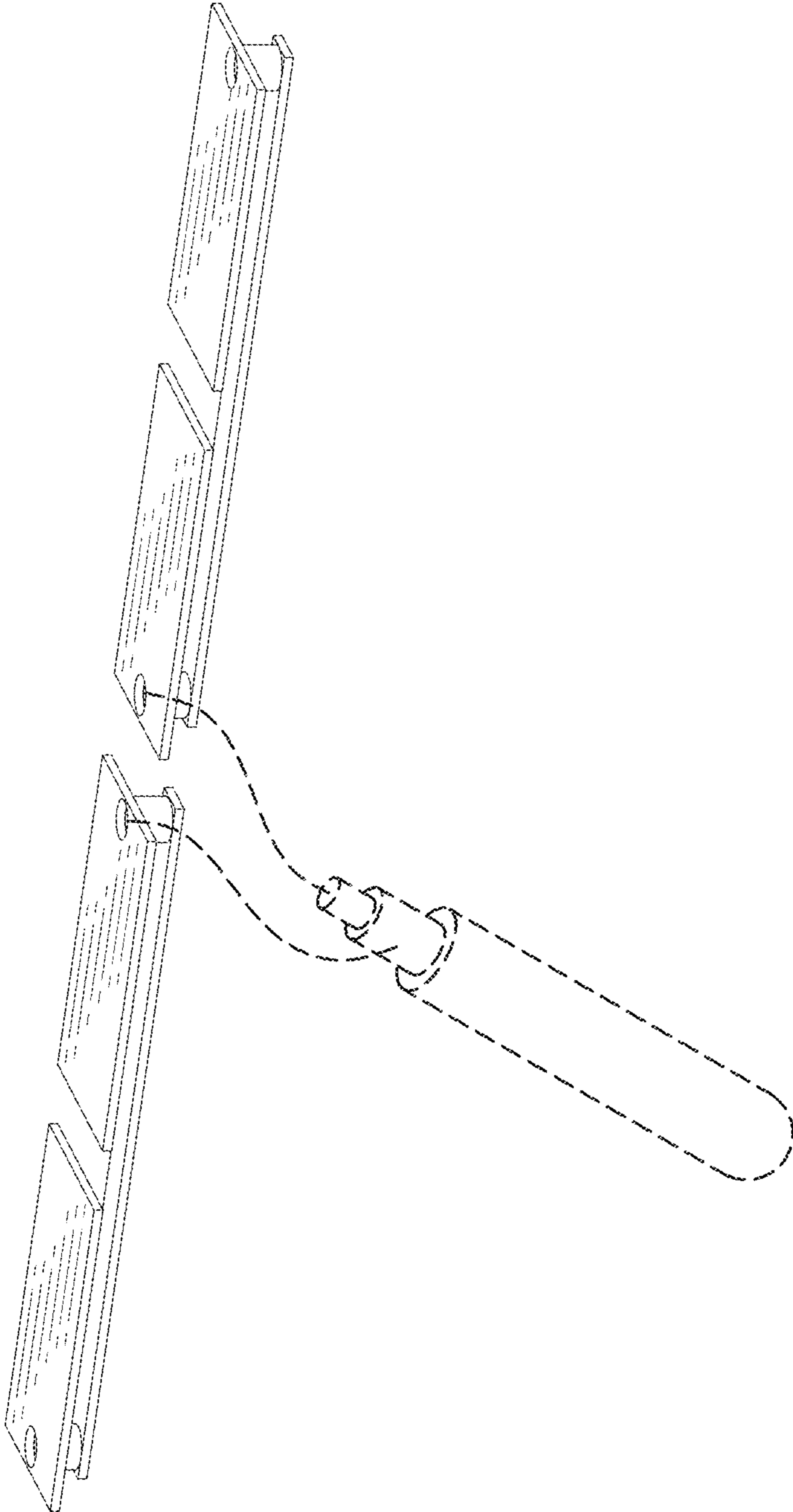


FIG. 10