



US00D820241S

(12) **United States Design Patent**  
**Howard**

(10) **Patent No.:** **US D820,241 S**  
(45) **Date of Patent:** **\*\* Jun. 12, 2018**

(54) **ANTENNA**  
(71) Applicant: **Avery Dennison Retail Information Services, LLC**, Westborough, MA (US)  
(72) Inventor: **Norman A. Howard**, Ilford (GB)  
(73) Assignee: **AVERY DENNISON RETAIL INFORMATION SERVICES, LLC**, Mentor, OH (US)  
(\*\*) Term: **15 Years**

D533,546 S \* 12/2006 Iizuka ..... D14/230  
D611,039 S \* 3/2010 Deguchi ..... D14/230  
D658,639 S \* 5/2012 Huang ..... D14/230  
D659,685 S \* 5/2012 Huang ..... D14/230  
D702,216 S \* 4/2014 Podduturi ..... D14/230  
D704,169 S \* 5/2014 Forster ..... D14/230  
D704,682 S \* 5/2014 Forster ..... D14/230  
D717,282 S \* 11/2014 Forster ..... D14/230  
D730,330 S \* 5/2015 Leibovich ..... D14/230  
D750,051 S \* 2/2016 Podduturi ..... D14/230  
2002/0003499 A1 \* 1/2002 Kouam ..... H01Q 1/243  
343/700 MS  
2003/0210200 A1 \* 11/2003 McConnell ..... H01Q 1/243  
343/795

(21) Appl. No.: **29/576,068**

\* cited by examiner

(22) Filed: **Aug. 31, 2016**

*Primary Examiner* — John Windmuller

(51) **LOC (11) Cl.** ..... **14-03**

*Assistant Examiner* — Benjamin M Weeks

(52) **U.S. Cl.**  
USPC ..... **D14/230**

(74) *Attorney, Agent, or Firm* — Avery Dennison Retail Information Services, LLC

(58) **Field of Classification Search**  
USPC ..... D5/15, 25, 29; D12/42-43; D14/138,  
D14/230-238.1, 299, 358  
CPC ..... H01Q 7/00; H01Q 13/10; H01L 33/486;  
H01L 23/02; H05K 5/00; F16L 3/2235;  
F16L 3/227; Y10T 403/7141  
See application file for complete search history.

(57) **CLAIM**

The ornamental design for an antenna, as shown and described.

(56) **References Cited**

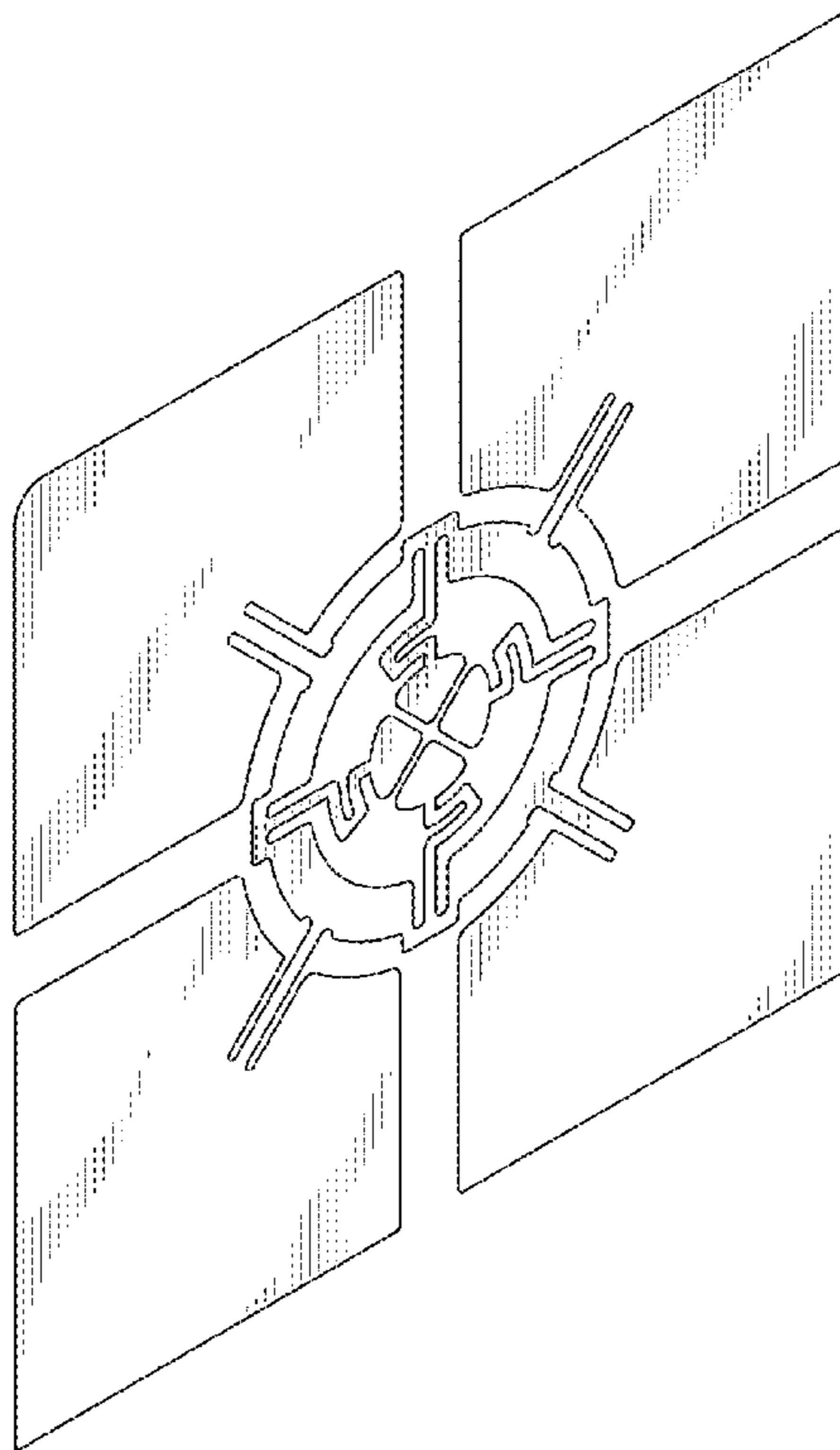
**DESCRIPTION**

**U.S. PATENT DOCUMENTS**

6,650,018 B1 \* 11/2003 Zhao ..... H01L 33/38  
257/749  
6,844,853 B2 \* 1/2005 Tai ..... H01Q 1/38  
343/700 MS

FIG. 1 is an isometric view of the new antenna; and,  
FIG. 2 is a top view of the new antenna.

**1 Claim, 2 Drawing Sheets**



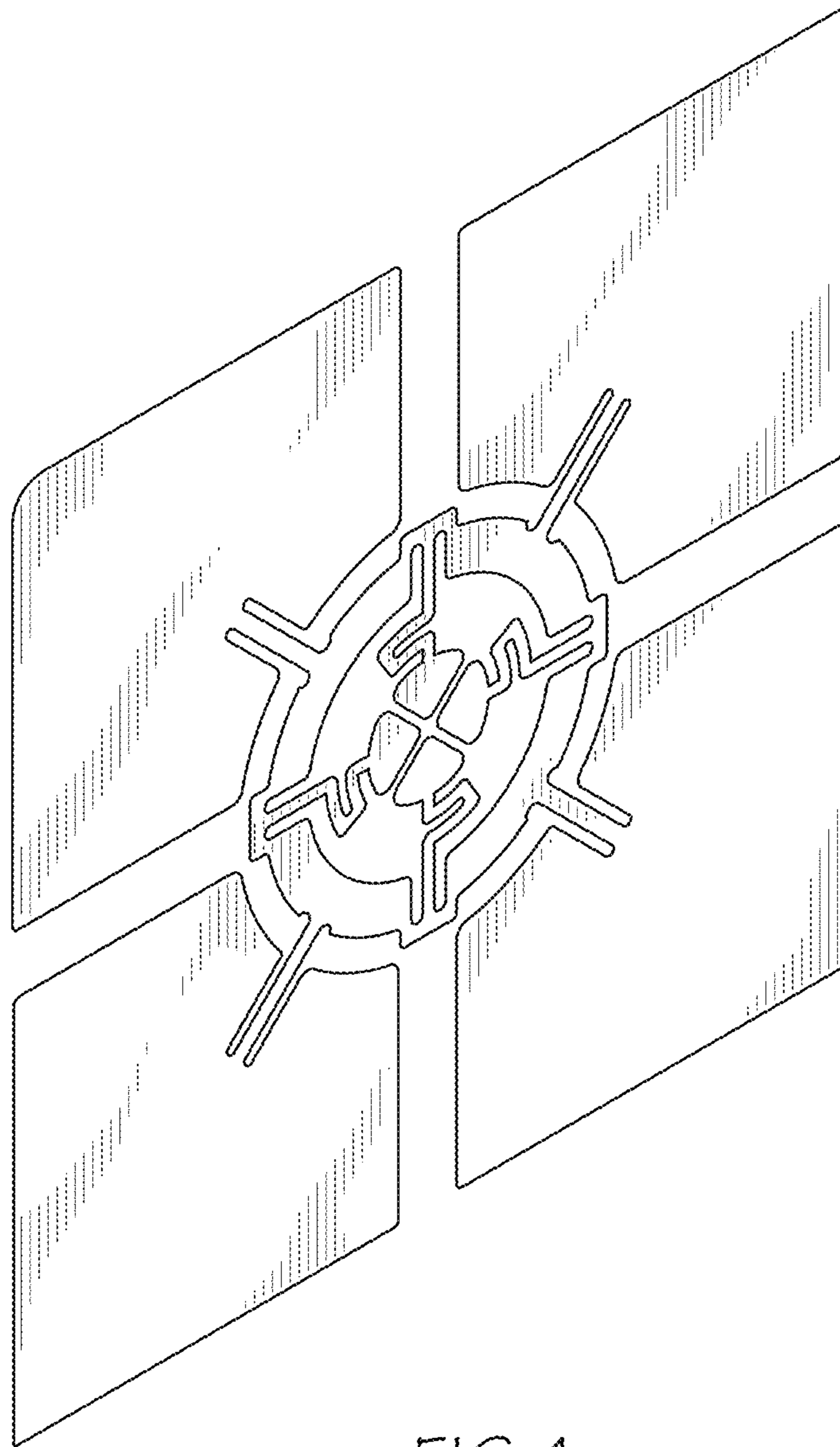


FIG. 1

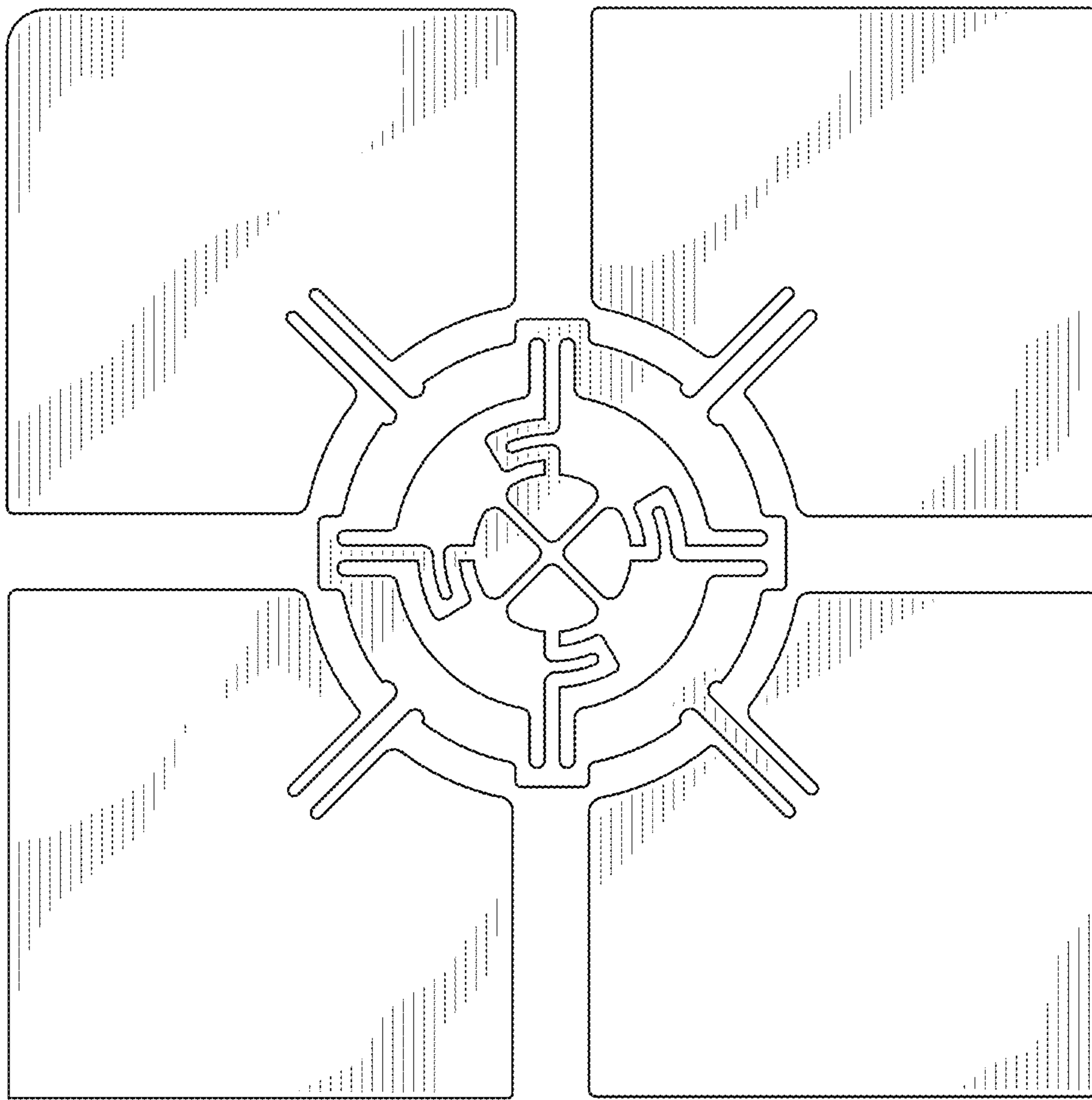


FIG. 2