



US00D820240S

(12) **United States Design Patent**  
**Holliday**

(10) **Patent No.:** **US D820,240 S**  
(45) **Date of Patent:** **\*\* Jun. 12, 2018**

(54) **CELL PHONE HEADSET WITH LUMINOUS CELL PHONE DISPLAY**

(71) Applicant: **Thomas R. Holliday**, Lyons, IL (US)

(72) Inventor: **Thomas R. Holliday**, Lyons, IL (US)

(\*\*) Term: **15 Years**

(21) Appl. No.: **29/594,668**

(22) Filed: **Feb. 21, 2017**

**Related U.S. Application Data**

(60) Division of application No. 29/518,244, filed on Feb. 20, 2015, and a continuation-in-part of application No. 13/385,502, filed on Feb. 21, 2012.

(51) **LOC (11) Cl.** ..... **14-01**

(52) **U.S. Cl.**  
USPC ..... **D14/223**

(58) **Field of Classification Search**  
USPC ..... D14/223, 205, 137, 240; 181/129, 130, 181/135; 379/430, 431, 446; 381/380, 381/381, 77; 362/196, 231, 240; 455/90.3, 575.1, 569.1  
CPC ..... H04R 1/10; H04R 25/00; H04R 25/02; H04R 1/1016; H04R 1/1066; F21V 9/00  
See application file for complete search history.

(56) **References Cited**

**U.S. PATENT DOCUMENTS**

1,321,026 A \* 11/1919 Freed ..... F21L 4/00  
132/286  
2,710,345 A \* 6/1955 Stephens ..... H04B 1/0343  
332/141  
D263,709 S \* 4/1982 Ando ..... D14/155  
D297,518 S \* 9/1988 Yuen ..... D10/106.1  
D303,638 S \* 9/1989 Andrews, Sr. .... D10/106.1  
D316,550 S \* 4/1991 Sogabe ..... D14/168

D317,310 S \* 6/1991 Schwartz ..... D13/168  
D473,217 S \* 4/2003 Rivera ..... D14/223  
D496,653 S \* 9/2004 Townsend ..... D14/240  
6,839,432 B1 \* 1/2005 Martin ..... H04B 1/3888  
379/428.01  
D529,021 S \* 9/2006 Jensen ..... D14/223  
D538,271 S \* 3/2007 Kim ..... D14/223  
D539,787 S \* 4/2007 Kim ..... D14/223  
D553,613 S \* 10/2007 Sade ..... D14/223  
D566,108 S \* 4/2008 Kan ..... D14/223  
D566,693 S \* 4/2008 Jensen ..... D14/223  
D573,983 S \* 7/2008 Bang ..... D14/223  
D582,397 S \* 12/2008 Christopher ..... D14/205  
D582,897 S \* 12/2008 Christopher ..... D14/223  
D588,113 S \* 3/2009 Bradford ..... D14/223  
D590,377 S \* 4/2009 Bradford ..... D14/223  
D596,614 S \* 7/2009 Wilson ..... D14/188  
D598,900 S \* 8/2009 Wikel ..... D14/223  
D602,007 S \* 10/2009 Lee ..... D14/223  
D603,378 S \* 11/2009 Paradise ..... D14/223  
D604,722 S \* 11/2009 Mistry ..... D14/223  
D620,927 S \* 8/2010 Li ..... D14/223  
D630,620 S \* 1/2011 Lee ..... D14/223  
D637,183 S \* 5/2011 March ..... D14/223  
D640,242 S \* 6/2011 Fahrendorff ..... D14/223

(Continued)

*Primary Examiner* — Paula Allen Greene  
(74) *Attorney, Agent, or Firm* — Cardinal Law Group

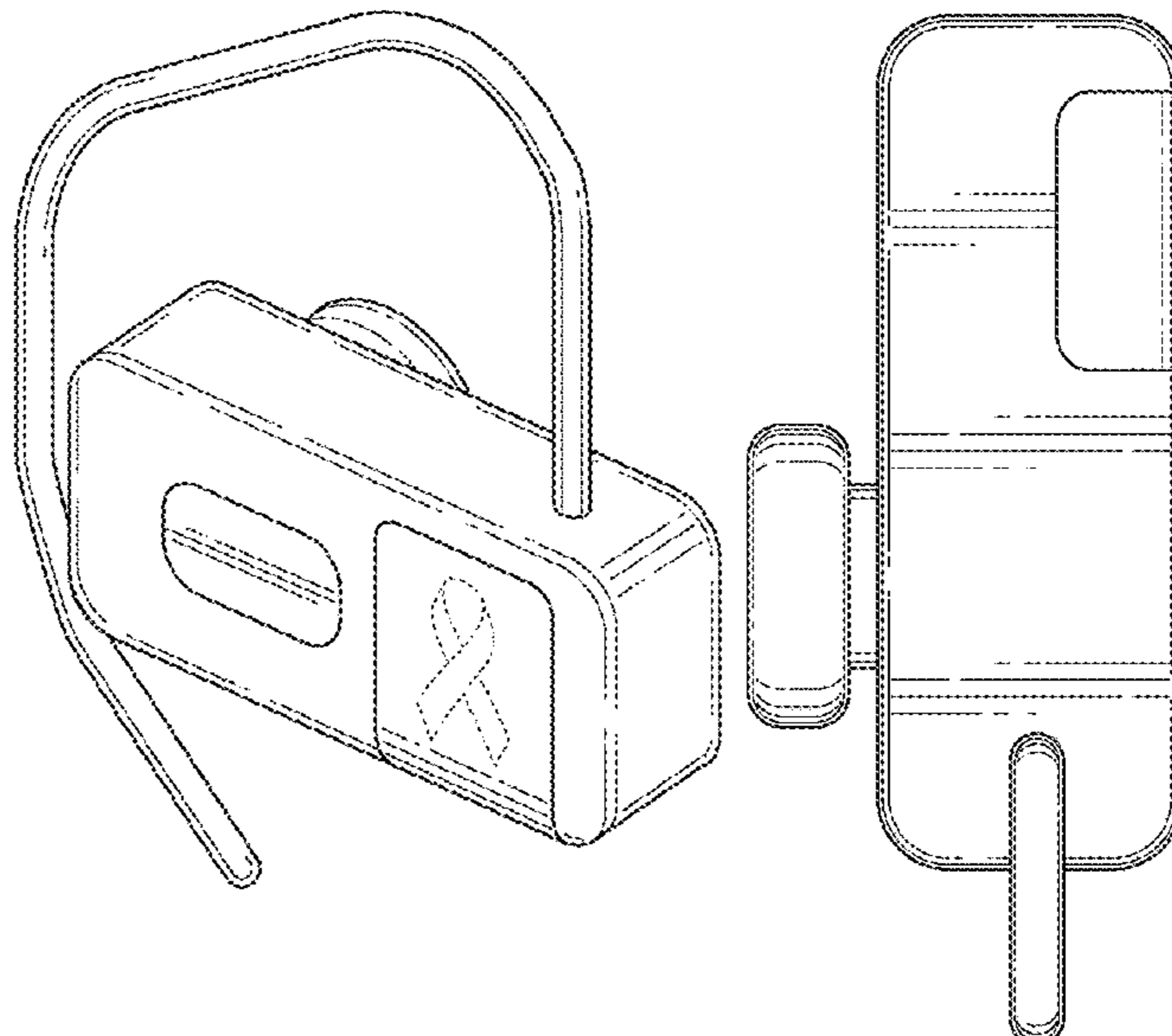
(57) **CLAIM**

The ornamental design for a cell phone headset with luminous cell phone display, as shown and described.

**DESCRIPTION**

FIG. 1 is a perspective view of a cell phone headset with a luminous cell phone display; and, FIG. 2 is a bottom view of the cell phone headset and luminous cell phone display. The broken lines depict environment that forms no part of the claimed design.

**1 Claim, 2 Drawing Sheets**



(56)

**References Cited**

U.S. PATENT DOCUMENTS

D649,957 S \* 12/2011 Fahrendorff ..... D14/223  
8,285,208 B2 \* 10/2012 Terlizzi ..... H04M 1/05  
455/41.2  
D693,796 S \* 11/2013 Birger ..... D14/223  
D702,732 S \* 4/2014 Wu ..... D14/203.5  
D739,852 S \* 9/2015 Jiang ..... D14/240  
D753,091 S \* 4/2016 Miyake ..... D14/205  
2005/0040772 A1 \* 2/2005 Guzman ..... H05B 33/0842  
315/291  
2009/0318202 A1 \* 12/2009 Bodley ..... H04M 1/05  
455/575.2  
2012/0220342 A1 \* 8/2012 Holliday ..... H04M 1/05  
455/566

\* cited by examiner

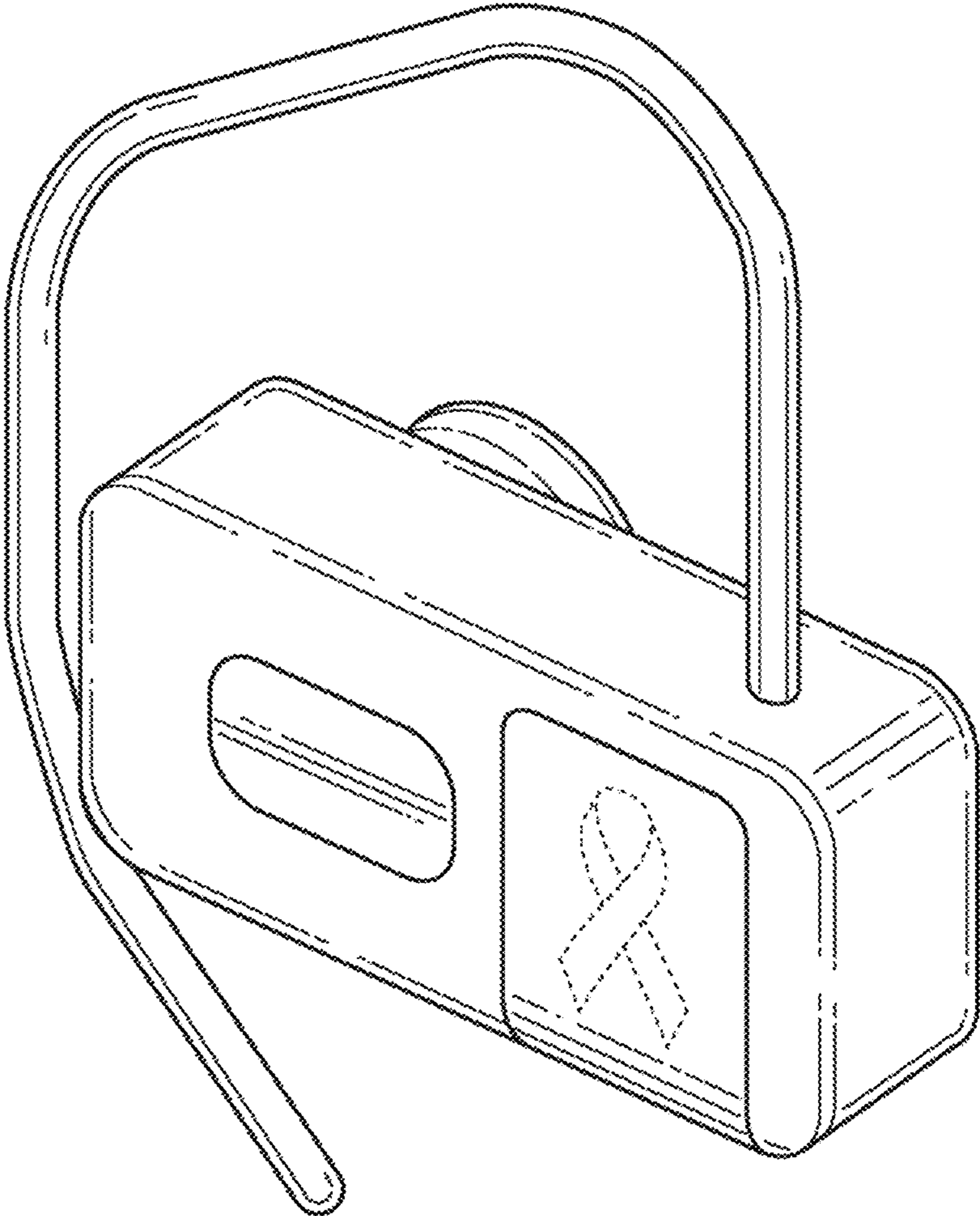


FIG. 1

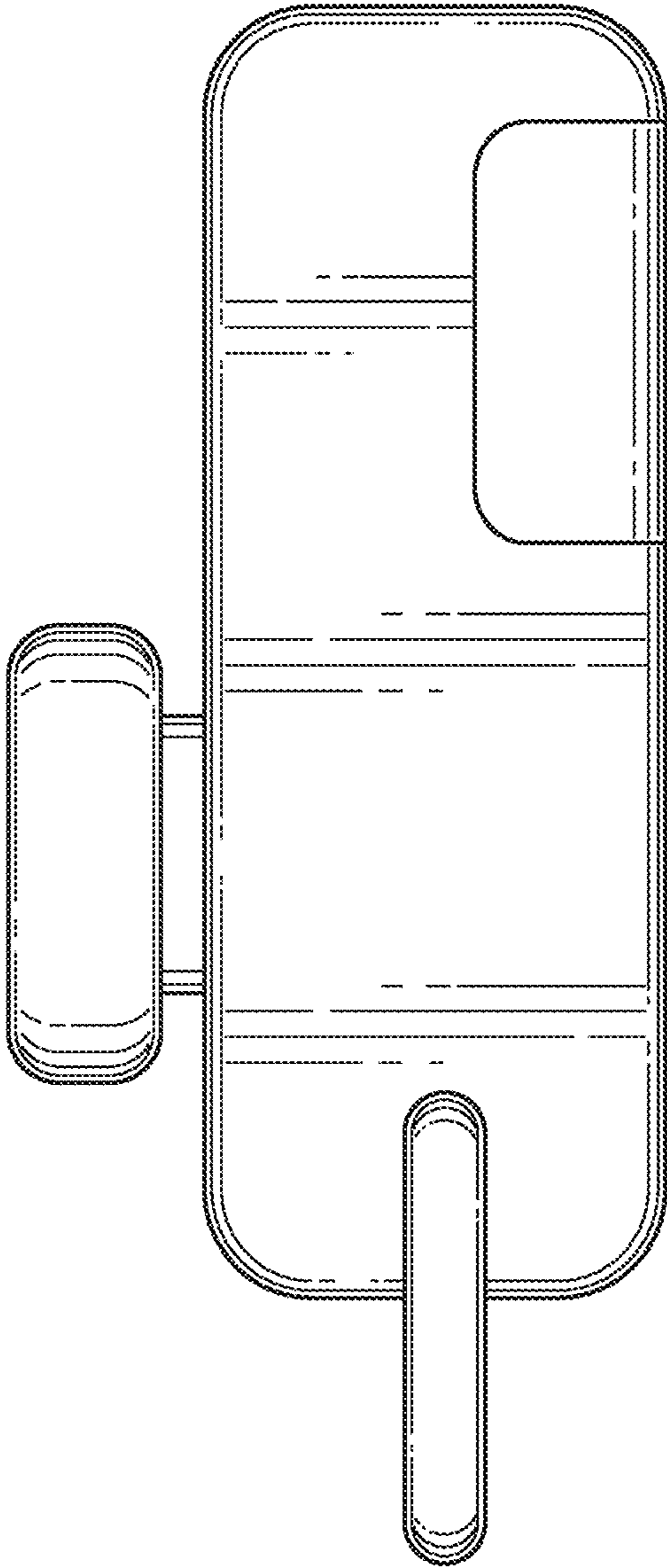


FIG. 2