



US00D820238S

(12) **United States Design Patent** (10) **Patent No.:** **US D820,238 S**  
**Boshernitzan et al.** (45) **Date of Patent:** **\*\* Jun. 12, 2018**

(54) **SENSOR HOUSING**  
(71) Applicant: **Swan Solutions Inc.**, Houston, TX (US)  
(72) Inventors: **Yaniv Boshernitzan**, Houston, TX (US); **Ohad Nezer**, Houston, TX (US)  
(73) Assignee: **Swan Solutions, Inc.**, Austin, TX (US)  
(\*\*) Term: **15 Years**

D730,866 S 6/2015 Aihсан  
D743,382 S \* 11/2015 Katori ..... D14/228  
D743,819 S \* 11/2015 Golnik ..... D10/70  
D743,954 S \* 11/2015 Chuang ..... D13/168  
D744,541 S 12/2015 Langhammer et al.  
D746,165 S \* 12/2015 Li ..... D10/104.1  
D746,166 S \* 12/2015 Li ..... D10/104.1  
D747,229 S \* 1/2016 Perez ..... D10/104.1  
D747,984 S \* 1/2016 Zhao ..... D10/52  
D750,980 S \* 3/2016 Takach ..... D10/50  
(Continued)

(21) Appl. No.: **29/597,370**  
(22) Filed: **Mar. 16, 2017**  
(51) **LOC (11) Cl.** ..... **14-03**  
(52) **U.S. Cl.**  
USPC ..... **D14/218**; D10/46; D14/216  
(58) **Field of Classification Search**  
USPC ..... D10/46, 49, 50, 52, 74, 75, 80, 104.1,  
D10/106.1, 106.5, 106.92, 106.95, 114.8,  
D10/116.1, 118.2, 126; D14/133, 216,  
D14/218, 496, 507; D16/221; D24/107  
CPC ..... H04S 7/303  
See application file for complete search history.

**OTHER PUBLICATIONS**

Knocki, posted on youtube.com, uploaded Sep. 6, 2016, no production date given, [online], [site visited Mar. 9, 2018], Available from Internet, URL: <https://www.youtube.com/watch?v=lebpVAtzhFo>.\*

*Primary Examiner* — Melanie H Tung  
*Assistant Examiner* — Fritzgerald L Butac  
(74) *Attorney, Agent, or Firm* — Andrew W. Chu; Craft Chu PLLC

(56) **References Cited**

**U.S. PATENT DOCUMENTS**

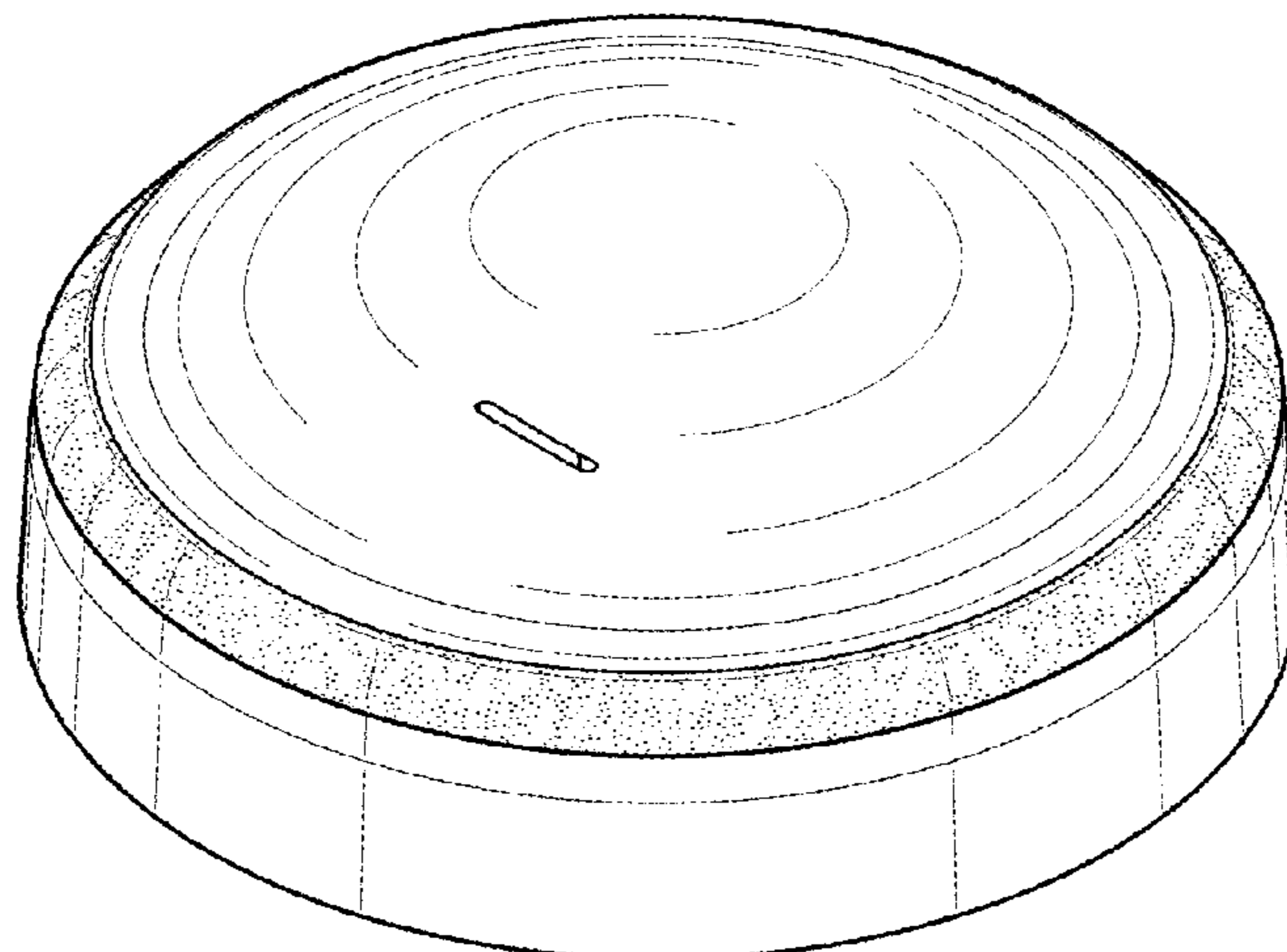
D300,463 S \* 3/1989 Nemec ..... D24/224  
D347,584 S \* 6/1994 Vogelpohl ..... D10/49  
D360,153 S \* 7/1995 Chacchia ..... D10/101  
D607,347 S \* 1/2010 Goh ..... D10/46  
D621,287 S \* 8/2010 Kaneko ..... D10/106.5  
D632,265 S \* 2/2011 Choi ..... D13/168  
D652,898 S \* 1/2012 Flowers ..... D23/252  
D660,732 S \* 5/2012 Bould ..... D10/49  
D668,164 S \* 10/2012 Cowles ..... D10/70  
D687,017 S 7/2013 Ashcraft  
D700,075 S \* 2/2014 Bould ..... D10/49  
D724,060 S \* 3/2015 Ahn ..... D14/218  
D725,088 S \* 3/2015 Kwak ..... D14/240  
D725,524 S \* 3/2015 Takach ..... D10/103  
D729,773 S \* 5/2015 Salojarvi ..... D14/218

(57) **CLAIM**  
The ornamental design for a sensor housing, as shown and described.

**DESCRIPTION**

FIG. 1 is an upper perspective view of the sensor housing showing my design.  
FIG. 2 is a top plan view thereof;  
FIG. 3 is a bottom plan view thereof;  
FIG. 4 is a side elevation view thereof;  
FIG. 5 is an opposite side elevation view thereof;  
FIG. 6 is a front elevation view thereof;  
FIG. 7 is a back elevation view thereof; and,  
FIG. 8 is a bottom perspective view thereof.  
The stippling illustrates a textured surface of the sensor housing.

**1 Claim, 3 Drawing Sheets**



(56)

**References Cited**

## U.S. PATENT DOCUMENTS

D757,585 S \* 5/2016 Hojmose ..... D10/106.1  
D758,230 S \* 6/2016 Hojmose ..... D10/106.5  
D760,221 S \* 6/2016 Maruyama ..... D14/357  
D764,320 S \* 8/2016 Li ..... D10/50  
D771,142 S \* 11/2016 Langhammer ..... D14/203.6  
D773,437 S \* 12/2016 Lee ..... D14/223  
D779,977 S \* 2/2017 Jacob ..... D10/50  
D783,609 S \* 4/2017 Mikelson ..... D14/356  
D792,468 S \* 7/2017 Langhammer ..... D14/203.3  
D796,355 S \* 9/2017 Cho ..... D10/70  
D803,073 S \* 11/2017 Ji ..... D10/52  
D803,410 S \* 11/2017 Im ..... D24/187  
D803,470 S \* 11/2017 Austin, III ..... D26/118  
9,812,004 B1 \* 11/2017 Boshernitzan ..... G08C 17/02  
D805,926 S \* 12/2017 Im ..... D10/57  
D806,072 S \* 12/2017 Gummalla ..... D14/358  
D806,644 S \* 1/2018 Mittleman ..... D13/101  
D806,648 S \* 1/2018 Beedham ..... D13/107  
D806,709 S \* 1/2018 Gummalla ..... D14/358  
D810,952 S \* 2/2018 Hsu ..... D24/200  
D810,970 S \* 2/2018 Thompson ..... D26/26  
2016/0266636 A1 \* 9/2016 Boshernitzan ..... G06F 1/3243  
2017/0131783 A1 \* 5/2017 Boshernitzan ..... G06F 3/017

\* cited by examiner

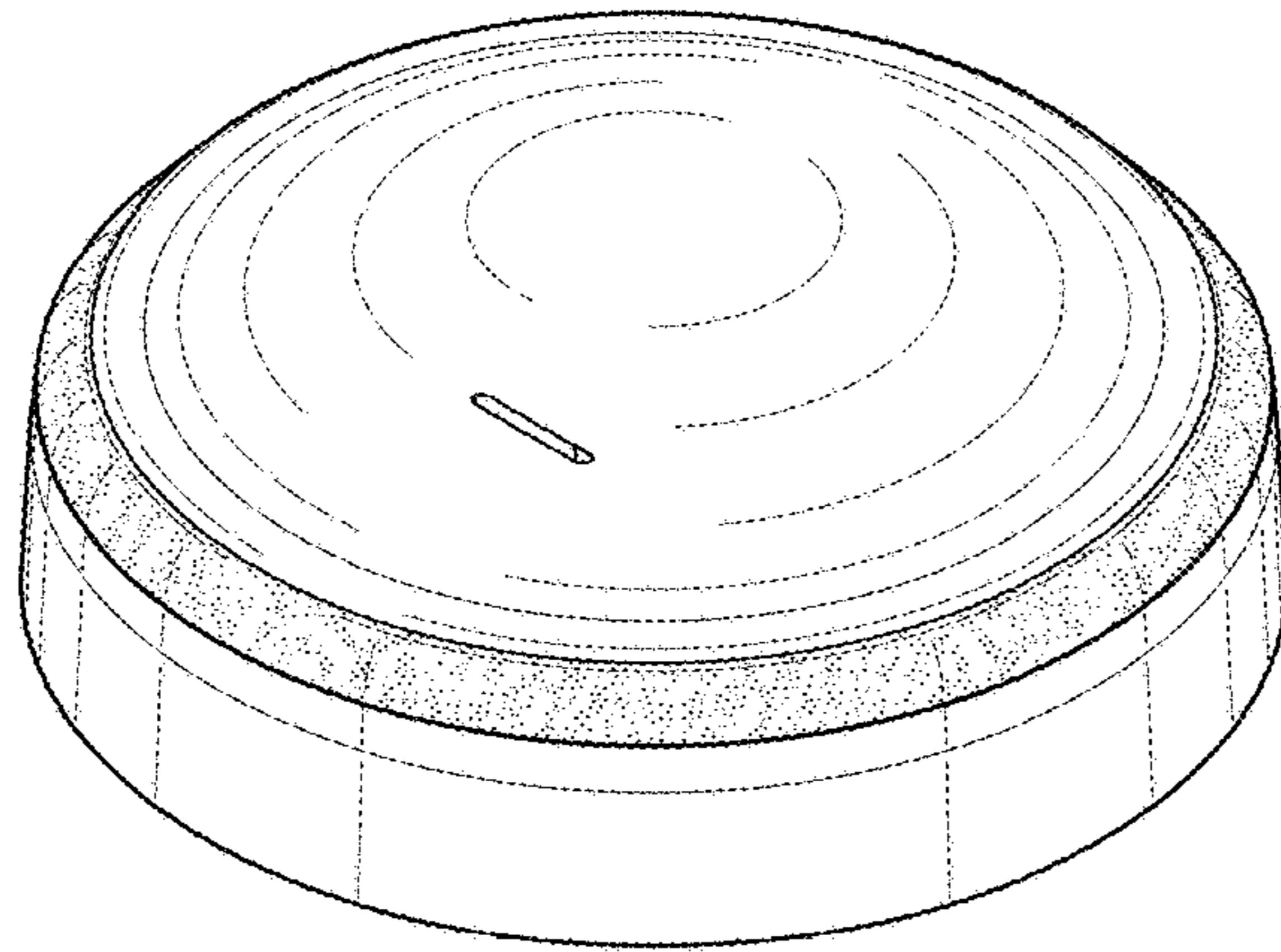


FIG. 1

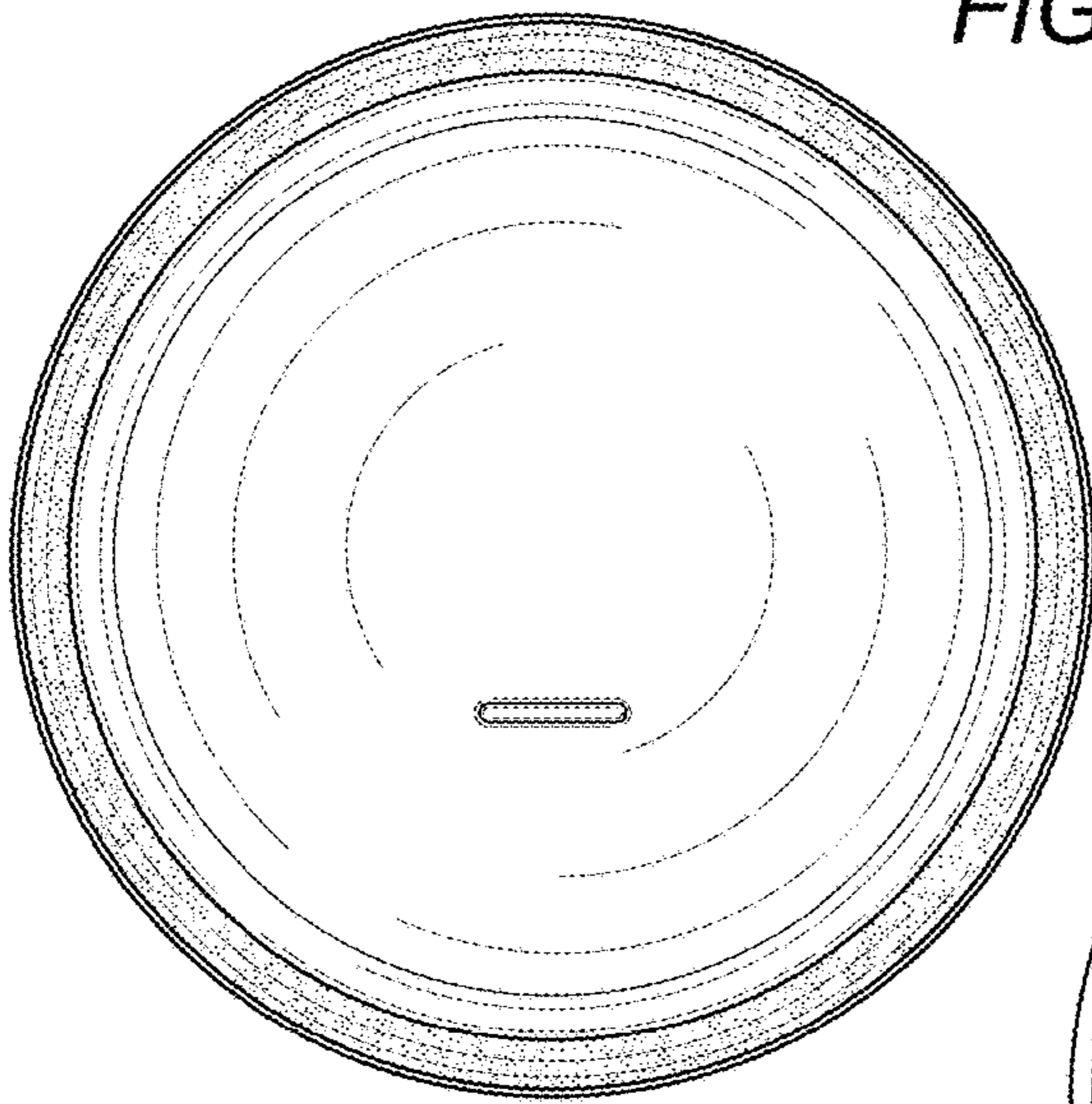


FIG. 2

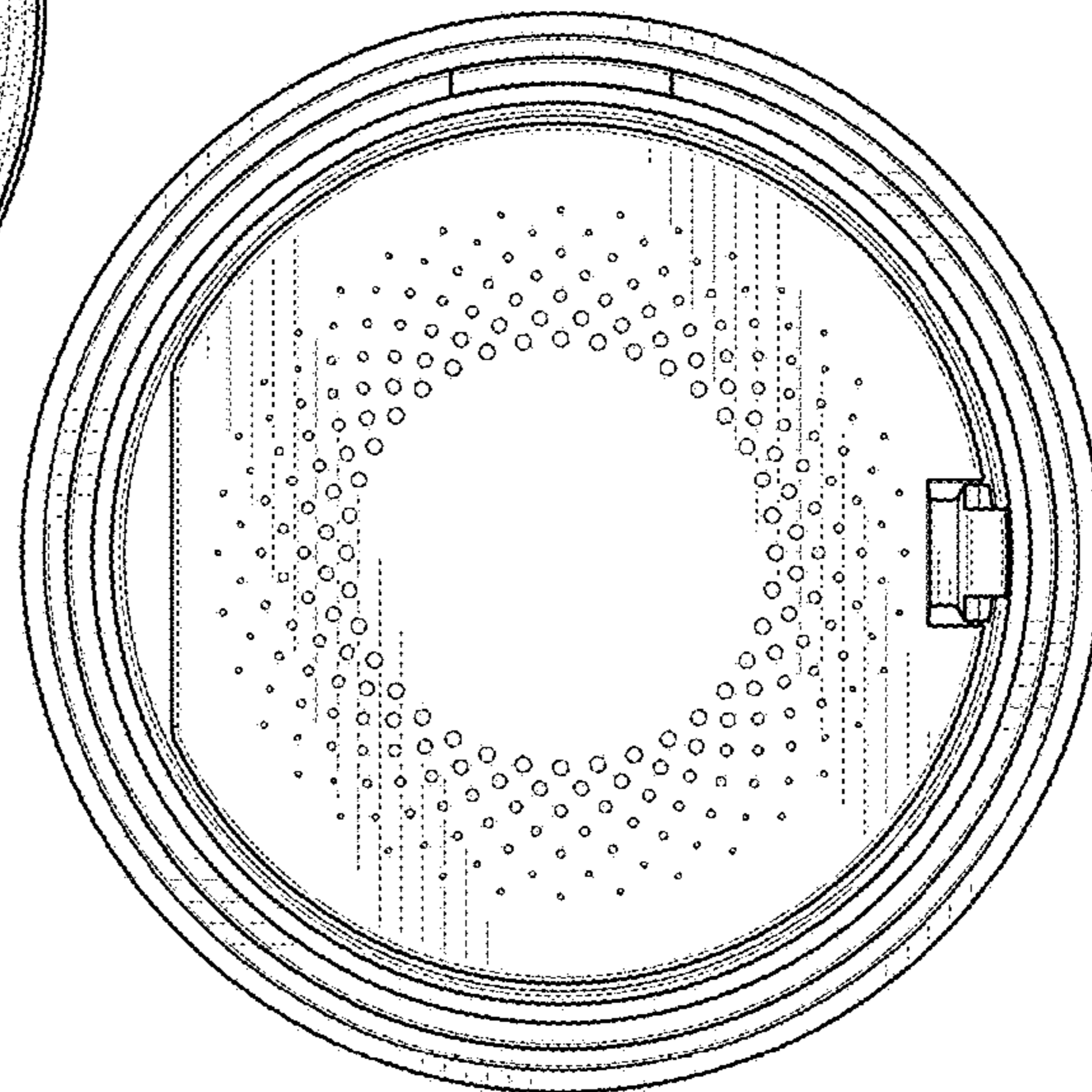
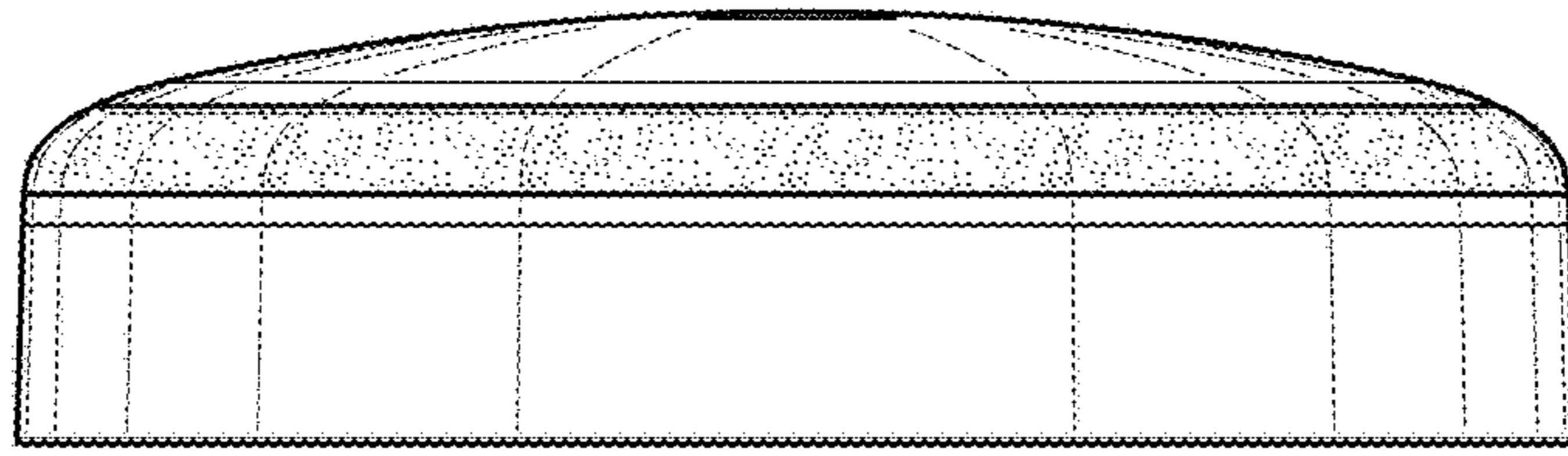
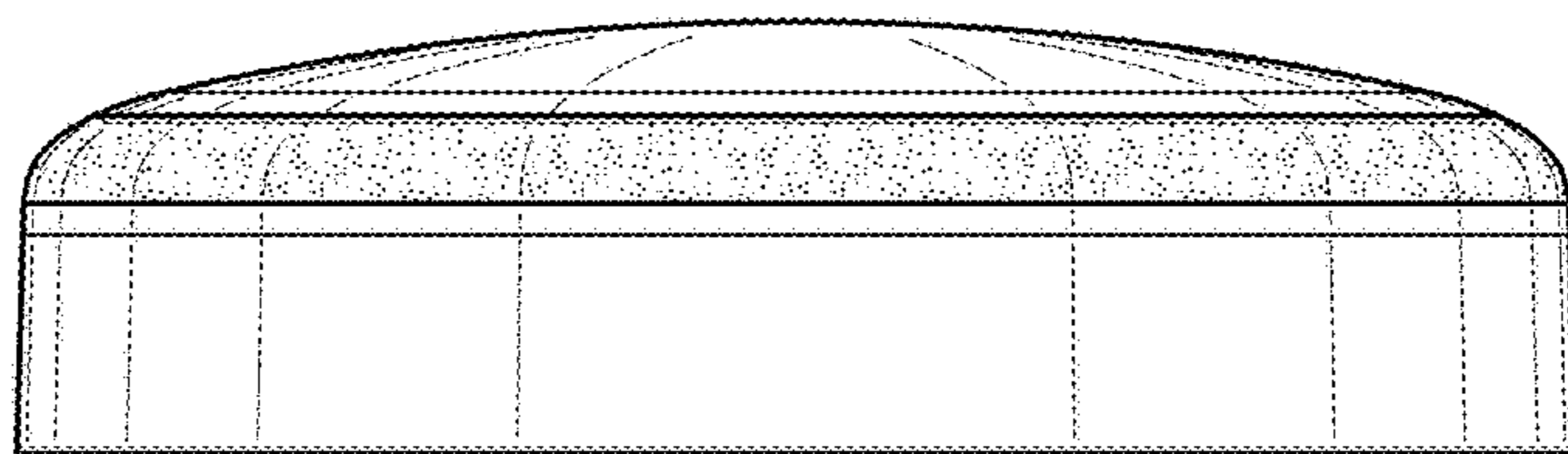


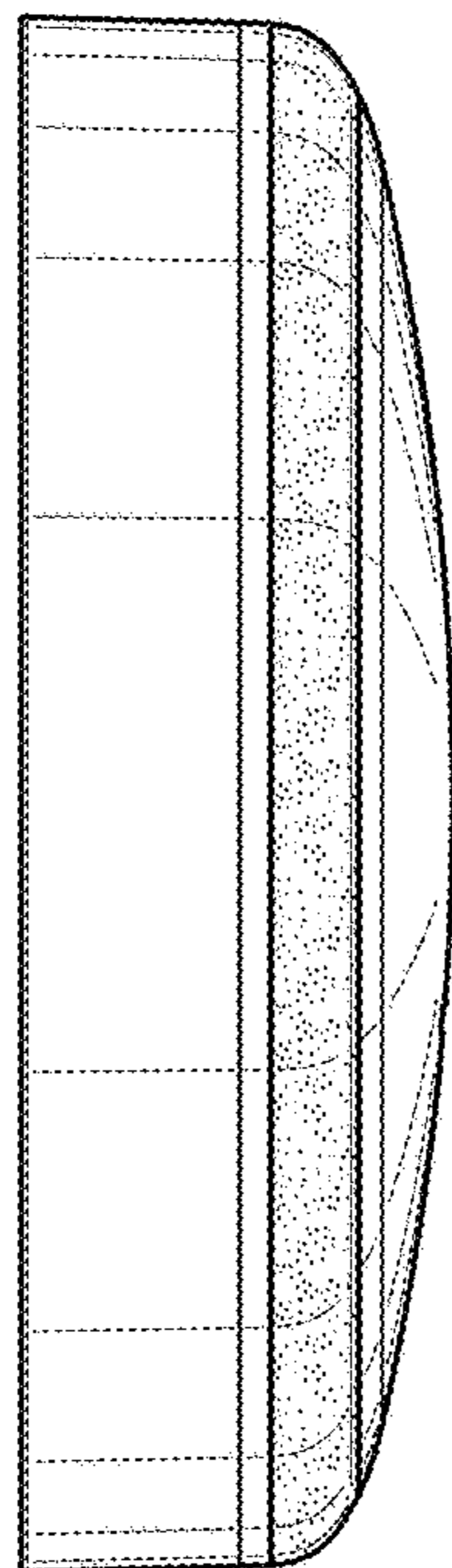
FIG. 3



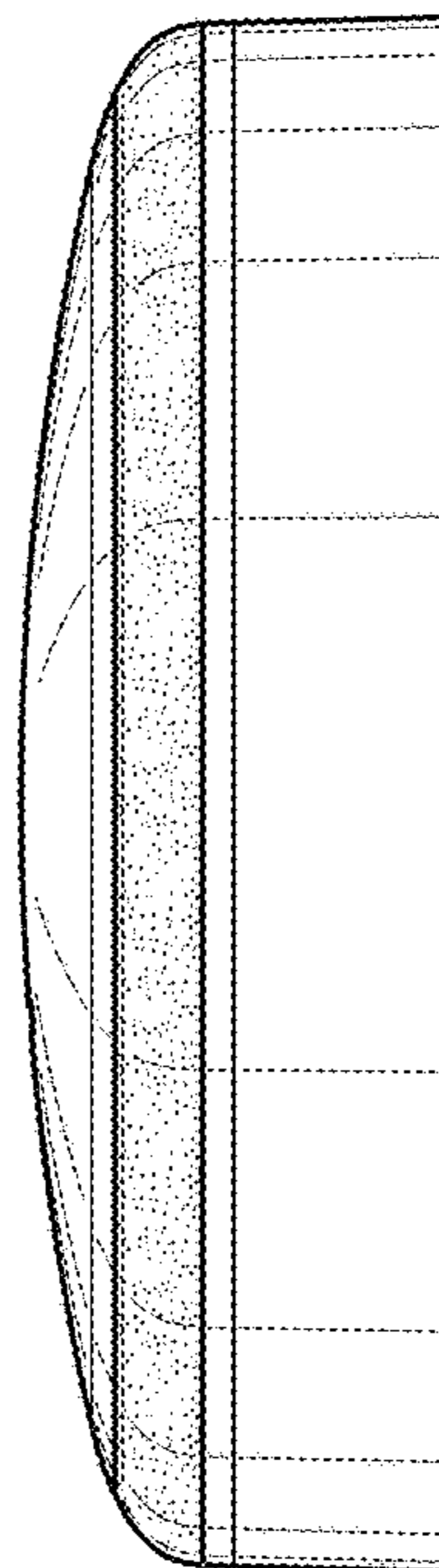
*FIG. 4*



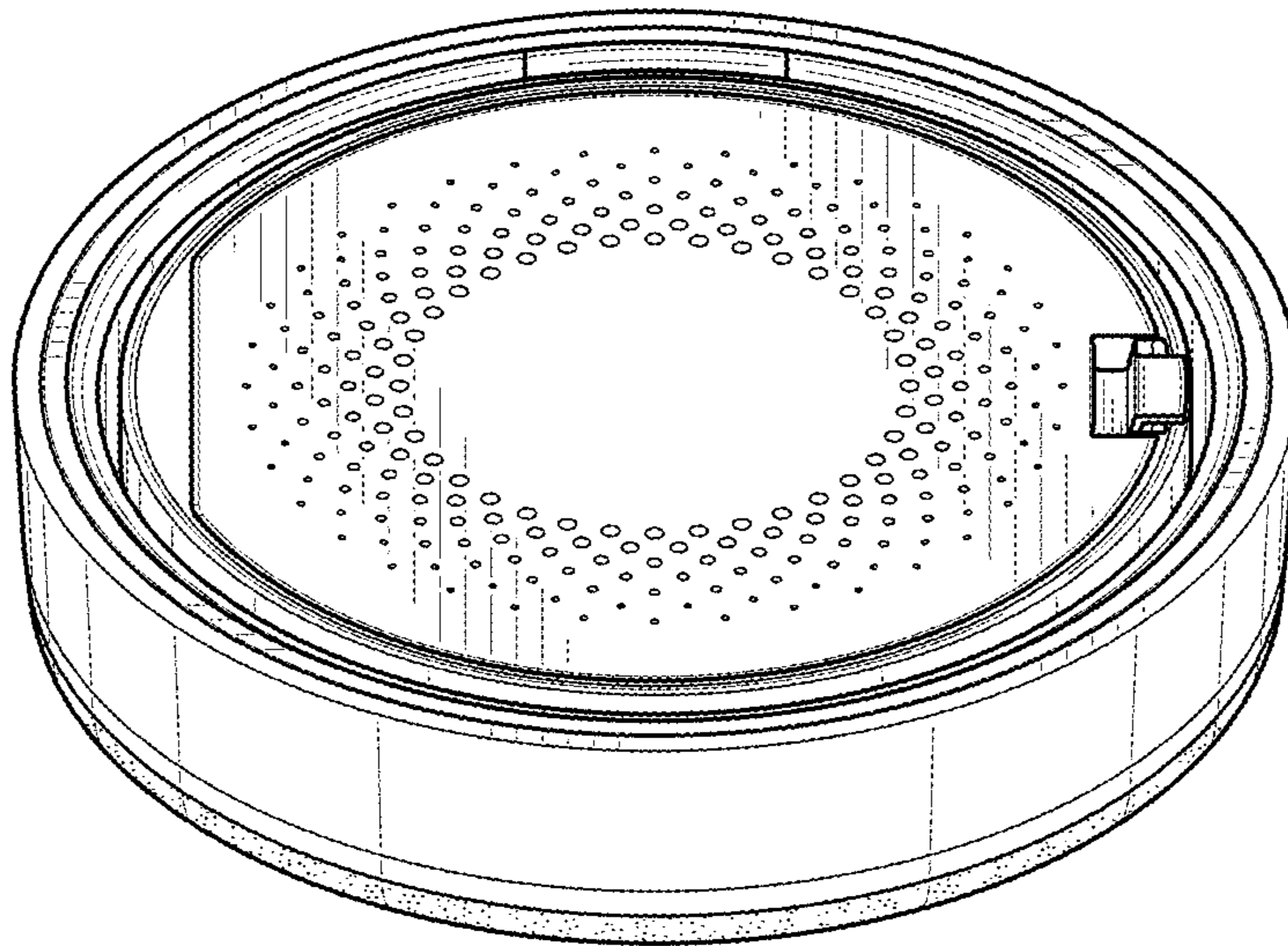
*FIG. 5*



*FIG. 6*



*FIG. 7*



*FIG. 8*