



US00D820235S

(12) **United States Design Patent**
Ricci

(10) **Patent No.:** **US D820,235 S**
(45) **Date of Patent:** **** Jun. 12, 2018**

(54) **RADIO RECEIVER**

(71) Applicant: **DIGI-SAT PLUS TECHNOLOGIES INC.**, Montreal, Quebec (CA)

(72) Inventor: **Vito Ricci**, Montreal (CA)

(73) Assignee: **DIGI-STAT PLUS TECHNOLOGIES INC.**, Montreal (CA)

(**) Term: **15 Years**

(21) Appl. No.: **29/590,528**

(22) Filed: **Jan. 11, 2017**

(30) **Foreign Application Priority Data**

Jul. 25, 2016 (CA) 169578

(51) **LOC (11) Cl.** **14-03**

(52) **U.S. Cl.**
USPC **D14/192; D14/188**

(58) **Field of Classification Search**
USPC D14/157, 168, 172, 188, 194, 195, 196, D14/197, 198, 204, 210, 211, 212, 213, D14/214, 215, 216, 217, 221, 222, 223, D14/224, 257, 258, 191, 192
CPC B60R 11/0217; G06F 1/1688; G10K 9/22; G10K 11/004; H03F 1/327; H04M 1/03; H04M 1/035; H04N 5/642; H04N 21/4852; H04S 3/00; H04S 7/30; H04R 1/02; H04R 1/06; H04R 1/021; H04R 1/025; H04R 1/026; H04R 1/028; H04R 1/105; H04R 1/323; H04R 1/403; H04R 1/2803; H04R 1/2834; H04R 5/02; H04R 7/20; H04R 9/06; H04R 9/025; H04R 2201/021; H04R 2400/00; H04R 2400/07; H04R 2499/11; H04R 2499/13; H04R 2499/15

See application file for complete search history.

(56) **References Cited**

U.S. PATENT DOCUMENTS

| | | | | |
|-----------|------|---------|-------------------|--------------------------|
| 3,693,089 | A * | 9/1972 | Hutchinson | G08B 3/1058 174/559 |
| D291,084 | S * | 7/1987 | Taniguchi | D14/194 |
| D294,573 | S * | 3/1988 | Ohzu | D14/168 |
| D302,157 | S * | 7/1989 | Vories | D14/188 |
| D311,541 | S * | 10/1990 | Carre | 379/420.01 |
| D316,550 | S * | 4/1991 | Sogabe | D14/168 |
| D321,880 | S * | 11/1991 | Emmerling | D14/188 |
| D327,886 | S * | 7/1992 | Yan | D14/137 |
| D359,959 | S * | 7/1995 | Scianna, Sr. | D14/218 |
| D376,361 | S * | 12/1996 | Lee | D14/192 |
| D556,186 | S * | 11/2007 | Bhavnani | D14/192 |
| D572,233 | S * | 7/2008 | Tuli | D14/192 |
| 7,483,543 | B2 * | 1/2009 | Cranfill | H04M 1/035 379/433.02 |
| D596,614 | S * | 7/2009 | Wilson | D14/188 |
| D601,567 | S * | 10/2009 | Lau | D13/154 |
| D646,667 | S * | 10/2011 | Donegain | D14/203.3 |
| 8,126,138 | B2 * | 2/2012 | Dinh | H04M 1/03 379/433.02 |

(Continued)

Primary Examiner — Keli L Hill

Assistant Examiner — Karra S Johnson

(74) *Attorney, Agent, or Firm* — Robert Brouillette;
Brouillette Legal Inc.

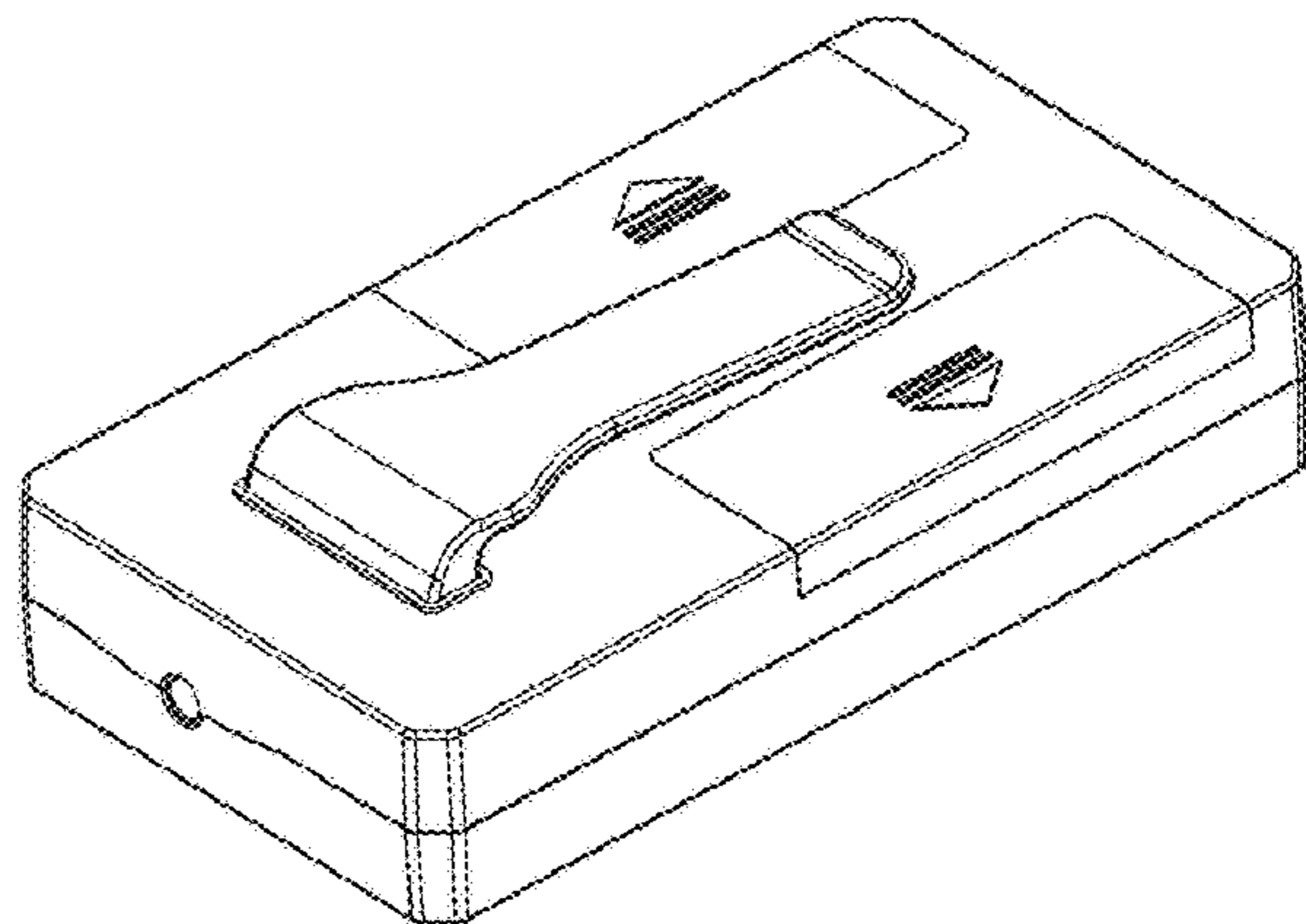
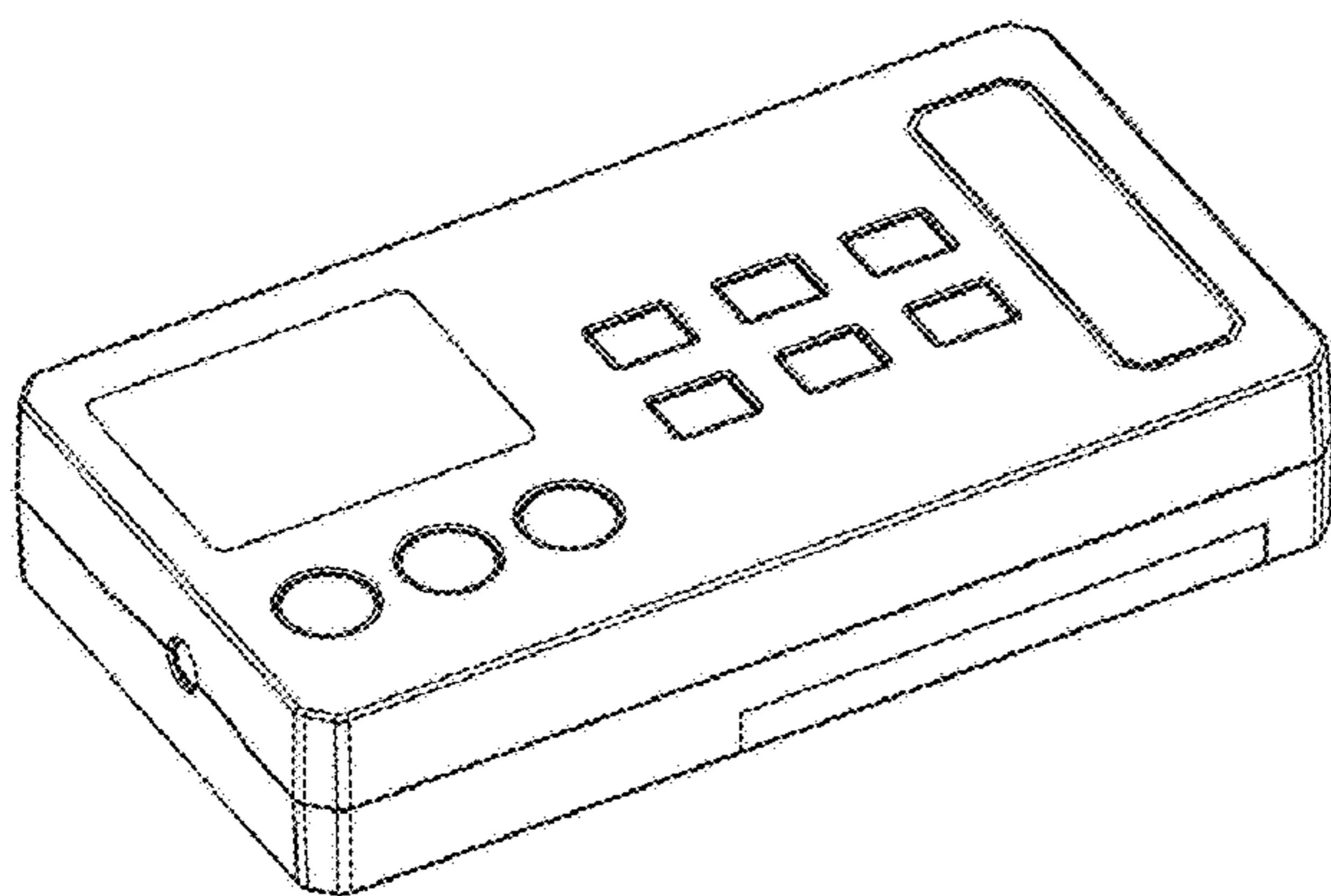
(57) **CLAIM**

The ornamental design for a radio receiver, as shown.

DESCRIPTION

FIG. 1 is a front perspective view of the radio receiver; FIG. 2 is a back perspective view of the radio receiver; FIG. 3 is a top plan view of the radio receiver; FIG. 4 is a right side plan view of the radio receiver; FIG. 5 is a back plan view of the radio receiver; FIG. 6 is a left side view of the radio receiver; FIG. 7 is a front plan view of the radio receiver; and, FIG. 8 is a bottom plan view of the radio receiver.

1 Claim, 3 Drawing Sheets



(56)

References Cited

U.S. PATENT DOCUMENTS

| | | | | | |
|--------------|------|---------|---------|-------|-------------|
| D661,249 | S * | 6/2012 | Smith | | D13/110 |
| 8,254,612 | B2 * | 8/2012 | Chen | | H04S 3/008 |
| | | | | | 381/1 |
| D697,865 | S * | 1/2014 | Saito | | D13/103 |
| 8,816,981 | B2 * | 8/2014 | Kai | | G06F 1/1626 |
| | | | | | 345/173 |
| D713,382 | S * | 9/2014 | Riggs | | D14/215 |
| D716,274 | S * | 10/2014 | Henning | | D14/223 |
| D719,130 | S * | 12/2014 | Crane | | D14/195 |
| 9,137,611 | B2 * | 9/2015 | Unno | | H04R 3/005 |
| 2010/0142745 | A1 * | 6/2010 | Cheng | | H04R 5/033 |
| | | | | | 381/384 |

* cited by examiner

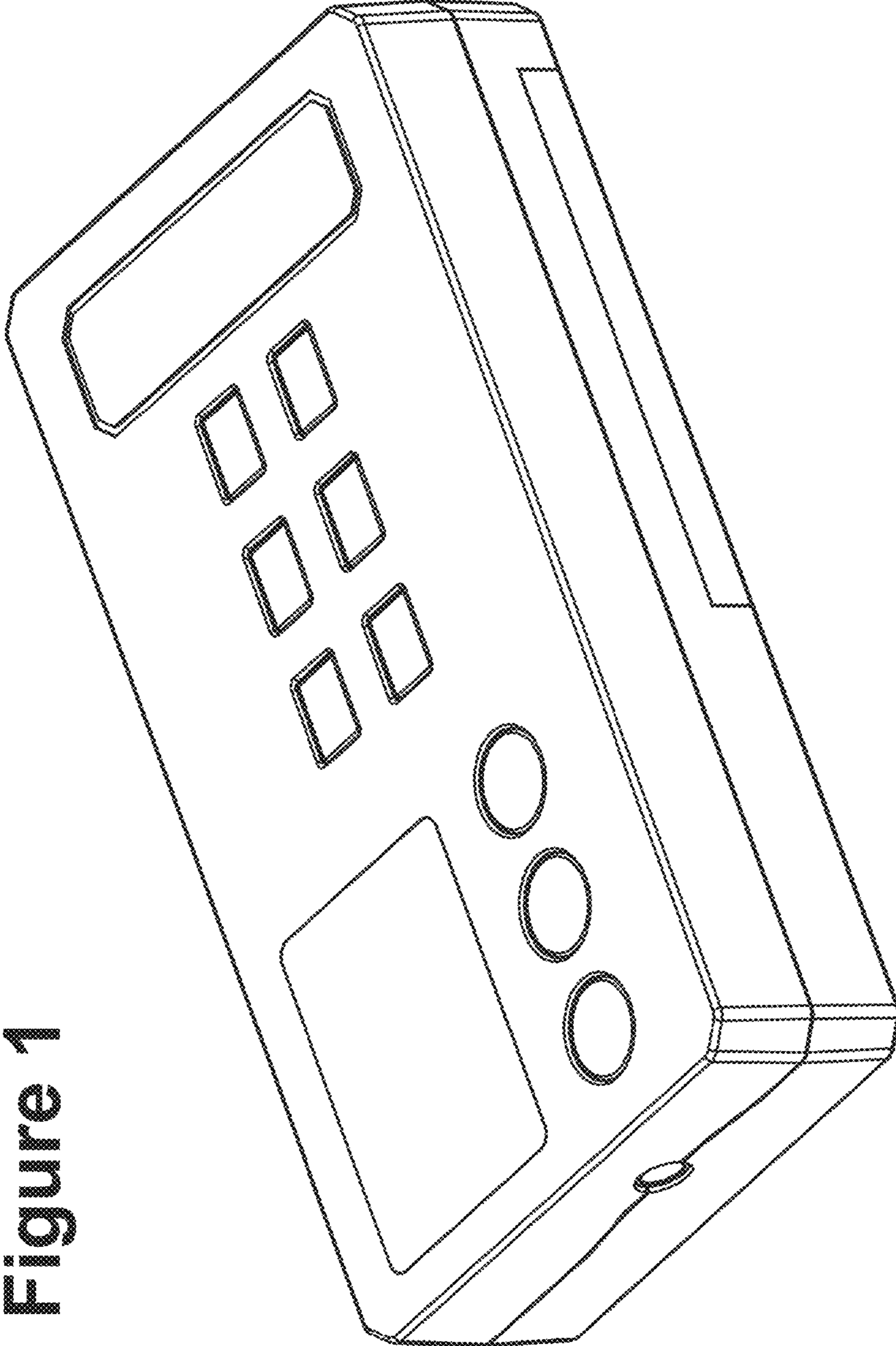


Figure 1

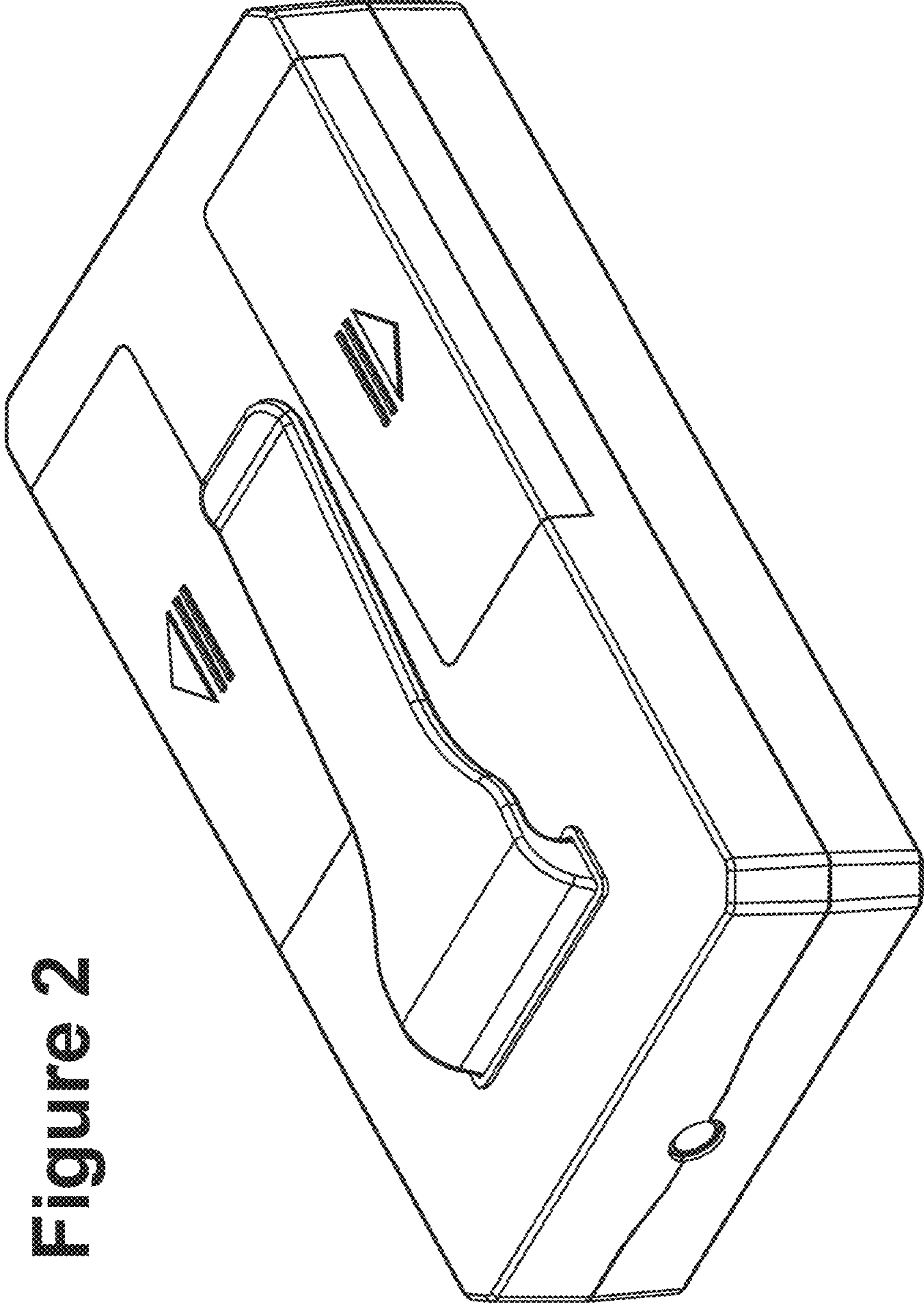


Figure 2

