



US00D820225S

(12) **United States Design Patent** (10) **Patent No.:** **US D820,225 S**
Kumar et al. (45) **Date of Patent:** **** Jun. 12, 2018**

(54) **SWITCH APPARATUS**

(71) Applicant: **EATON CORPORATION**, Cleveland, OH (US)

(72) Inventors: **Pramod Kumar**, Peachtree City, GA (US); **Navneet Ramkrushnaji Dhote**, Amravati (IN); **Rohit M. Udavant**, Decatur, GA (US)

(73) Assignee: **EATON INTELLIGENT POWER LIMITED**, Dublin (IE)

(**) Term: **15 Years**

(21) Appl. No.: **29/565,265**

(22) Filed: **May 19, 2016**

(51) **LOC (11) Cl.** **13-03**

(52) **U.S. Cl.**
USPC **D13/169; D13/170**

(58) **Field of Classification Search**
USPC D13/162, 169, 170, 173, 174
CPC H01C 10/38; H01H 9/02; H01H 9/0271;
H01H 9/16; H01H 9/18; H01H 9/161;
H01H 9/181; H01H 9/182; H01H 13/04;
H01H 13/14; H01H 13/20; H01H 13/30;
H01H 19/635; H01H 23/00; H01H 23/02;
H01H 23/025; H01H 23/04; H01H
23/145; H01H 23/148; H01H 23/205;
H01H 23/30; H01H 15/02; H01H 15/04;
H01H 15/06; H01H 15/10; H05B 37/02;
H05B 37/0254;

(Continued)

(56) **References Cited**

U.S. PATENT DOCUMENTS

- 4,833,277 A * 5/1989 Jacoby, Jr. H02G 3/14
174/66
4,939,383 A * 7/1990 Tucker H01C 10/38
200/335

(Continued)

Primary Examiner — Selina Sikder

(74) *Attorney, Agent, or Firm* — Eckert Seamans

(57) **CLAIM**

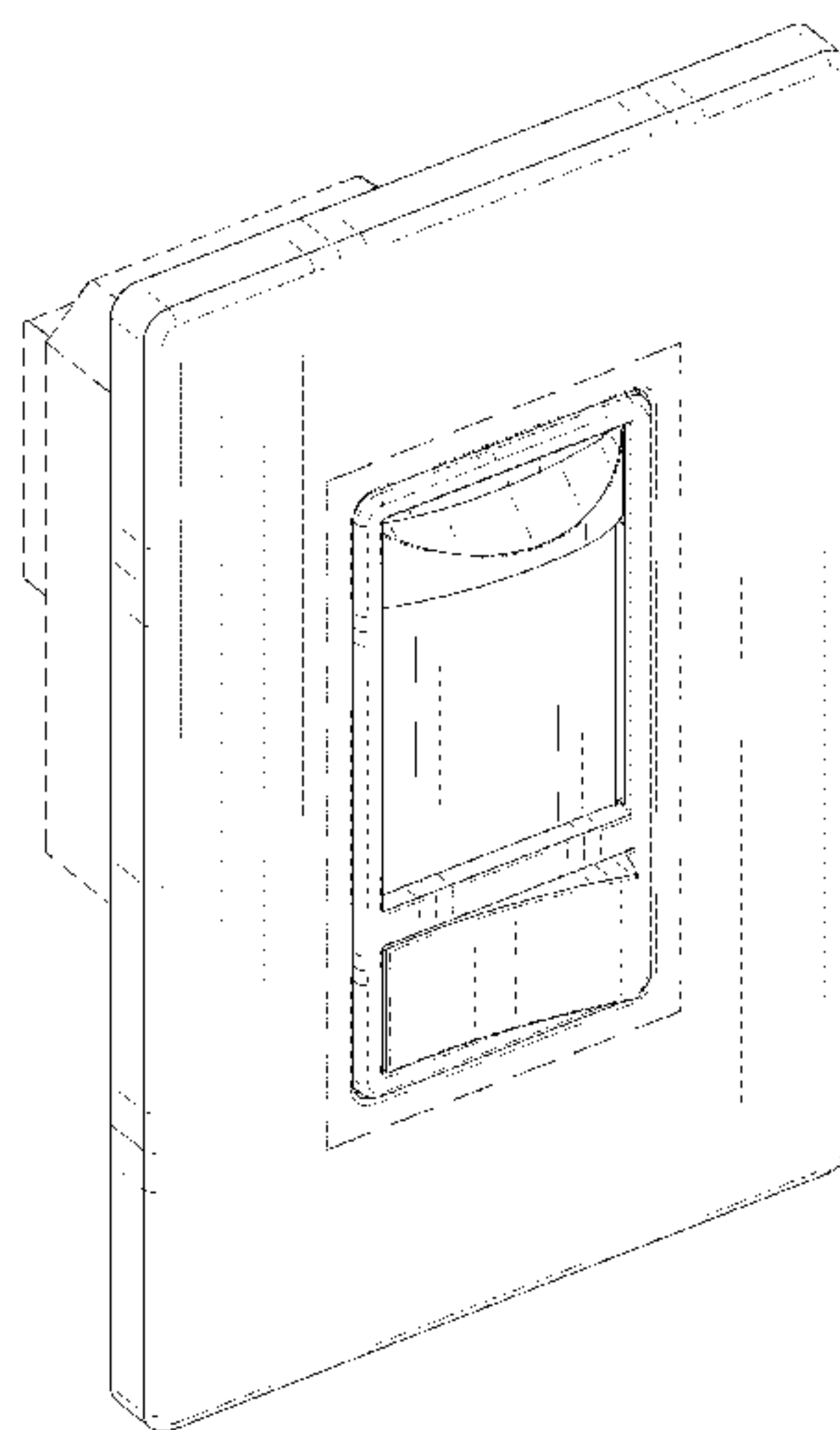
The ornamental design for a switch apparatus, as shown and described.

DESCRIPTION

FIG. 1 is an upper left perspective view of the switch apparatus;
 FIG. 2 is an upper right perspective view of the switch apparatus;
 FIG. 3 is a lower right perspective view of the switch apparatus;
 FIG. 4 is a lower left perspective view of the switch apparatus;
 FIG. 5 is an enlargement of an enclosed portion of FIG. 1 and additionally depicts an alternative position of a component of the switch apparatus;
 FIG. 6 is an enlargement of an enclosed portion of FIG. 3 and additionally depicts an alternative position of another component of the switch apparatus;
 FIG. 7 is a left side elevational view of the switch apparatus;
 FIG. 8 is a front elevational view of the switch apparatus;
 FIG. 9 is a right side elevational view of the switch apparatus;
 FIG. 10 is a rear elevational view of the switch apparatus;
 FIG. 11 is a top plan view of the switch apparatus; and,
 FIG. 12 is a bottom plan view of the switch apparatus.

The long-dashed lines depicted in FIGS. 1 and 3 are only for illustration, by enclosing therein, of the portions of FIGS. 1 and 3 that are depicted in an enlarged fashion in FIGS. 5 and 6, respectively, and form no part of the claimed design. The medium-dashed lines are for illustration of environmental subject matter only and form no part of the claimed design. The short-dashed lines shown in FIGS. 5 and 6 are for illustration of exemplary alternative positions of components of the switch apparatus only and form no part of the claimed design.

1 Claim, 11 Drawing Sheets



(58) **Field of Classification Search**

CPC H05B 37/0272; H05B 39/02; H05B 39/04;
H05B 39/085; H05B 39/086; H05B
39/088

See application file for complete search history.

(56) **References Cited**

U.S. PATENT DOCUMENTS

4,972,045 A * 11/1990 Primeau H01H 15/10
174/66
D415,472 S * 10/1999 Kelso D13/170
6,037,553 A * 3/2000 Stewart H01H 15/10
200/16 R
D457,145 S * 5/2002 Pagano D13/169
7,416,310 B1 * 8/2008 Savicki, Jr. H01H 3/0213
200/317
D582,863 S * 12/2008 Ni D13/169
D583,336 S * 12/2008 Ni D13/170
D616,837 S * 6/2010 Samuels D13/170
D797,062 S * 9/2017 Hakkarainen D13/170
2007/0272535 A1 * 11/2007 Sloan H01C 10/30
200/550

* cited by examiner

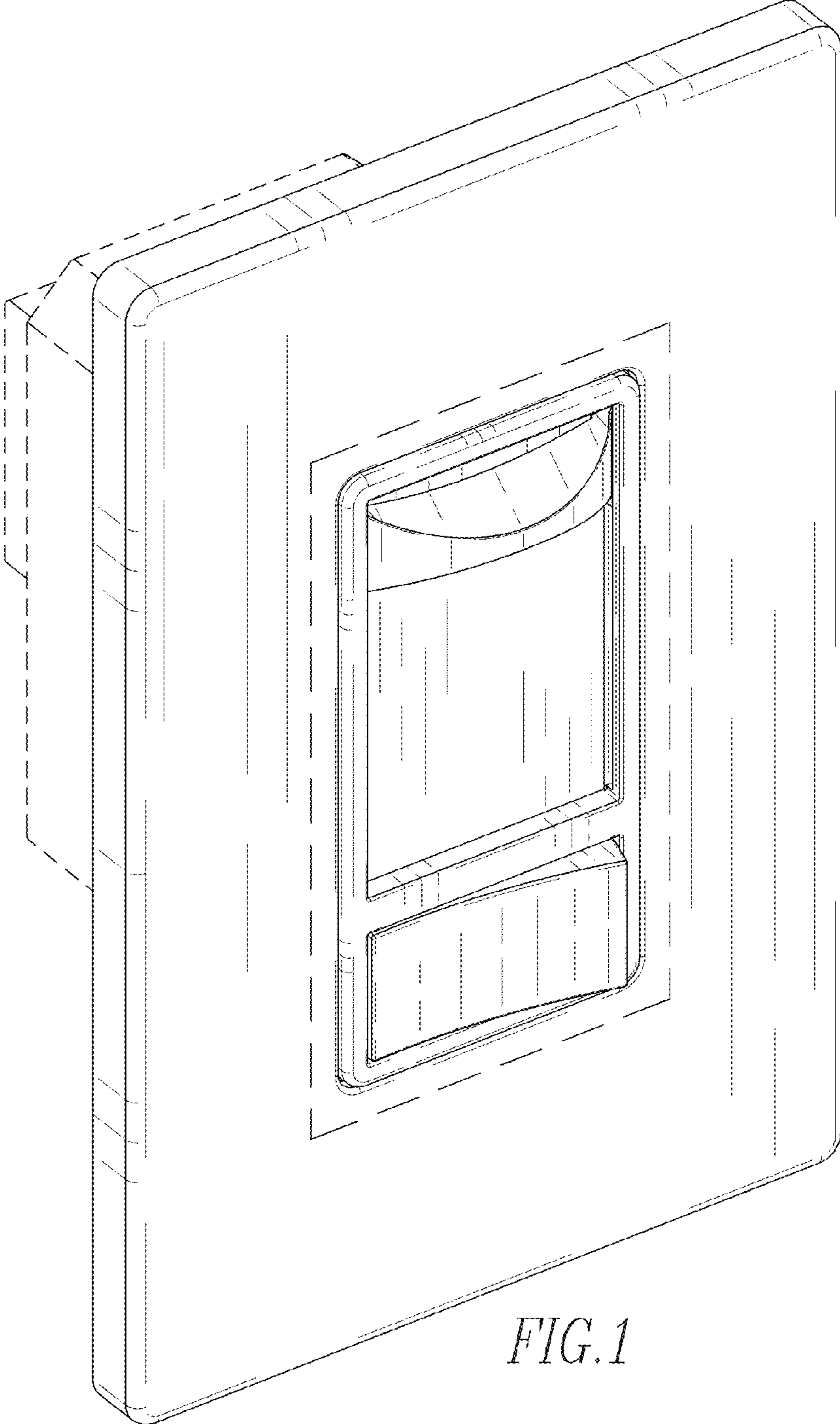


FIG. 1

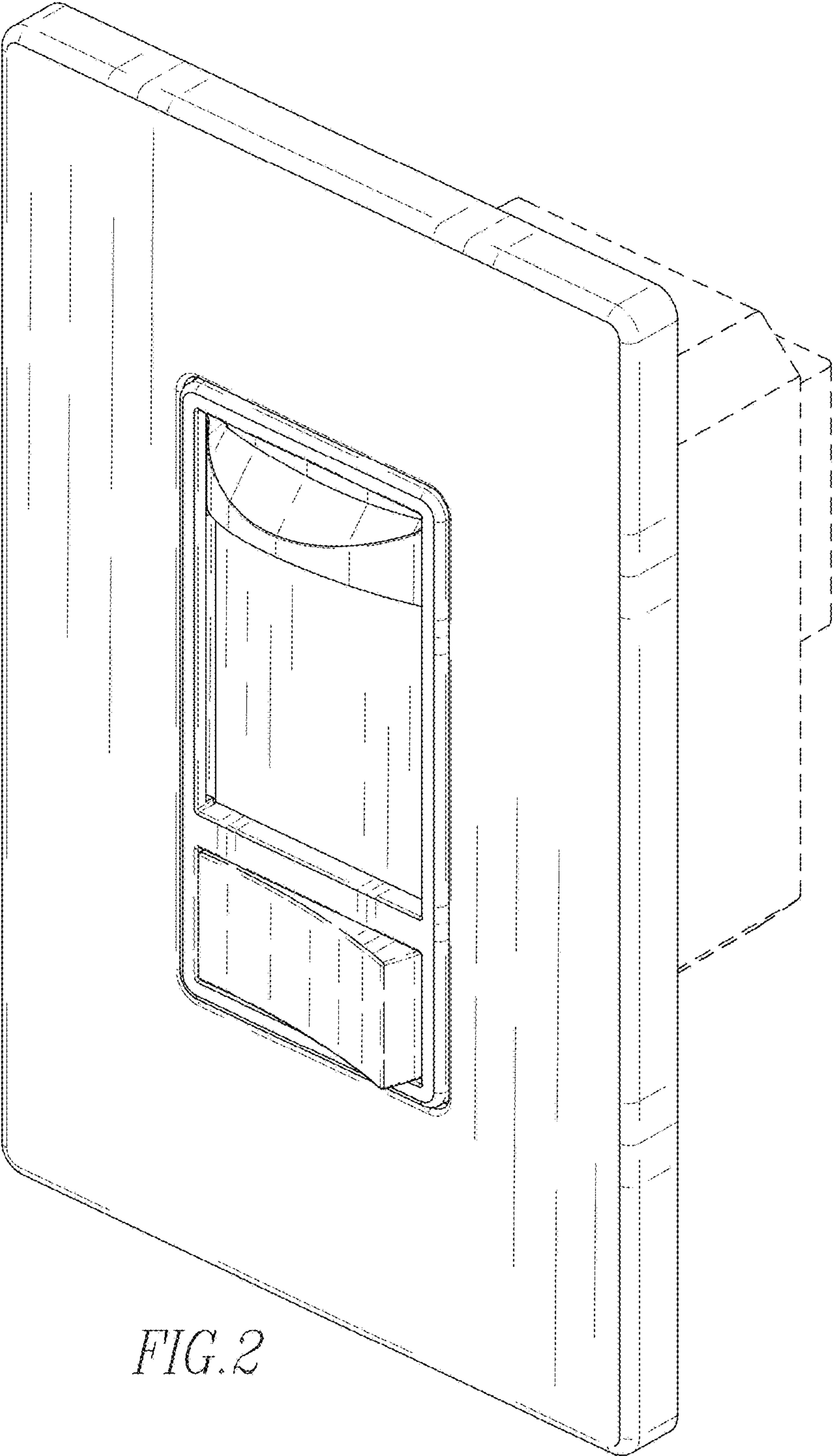
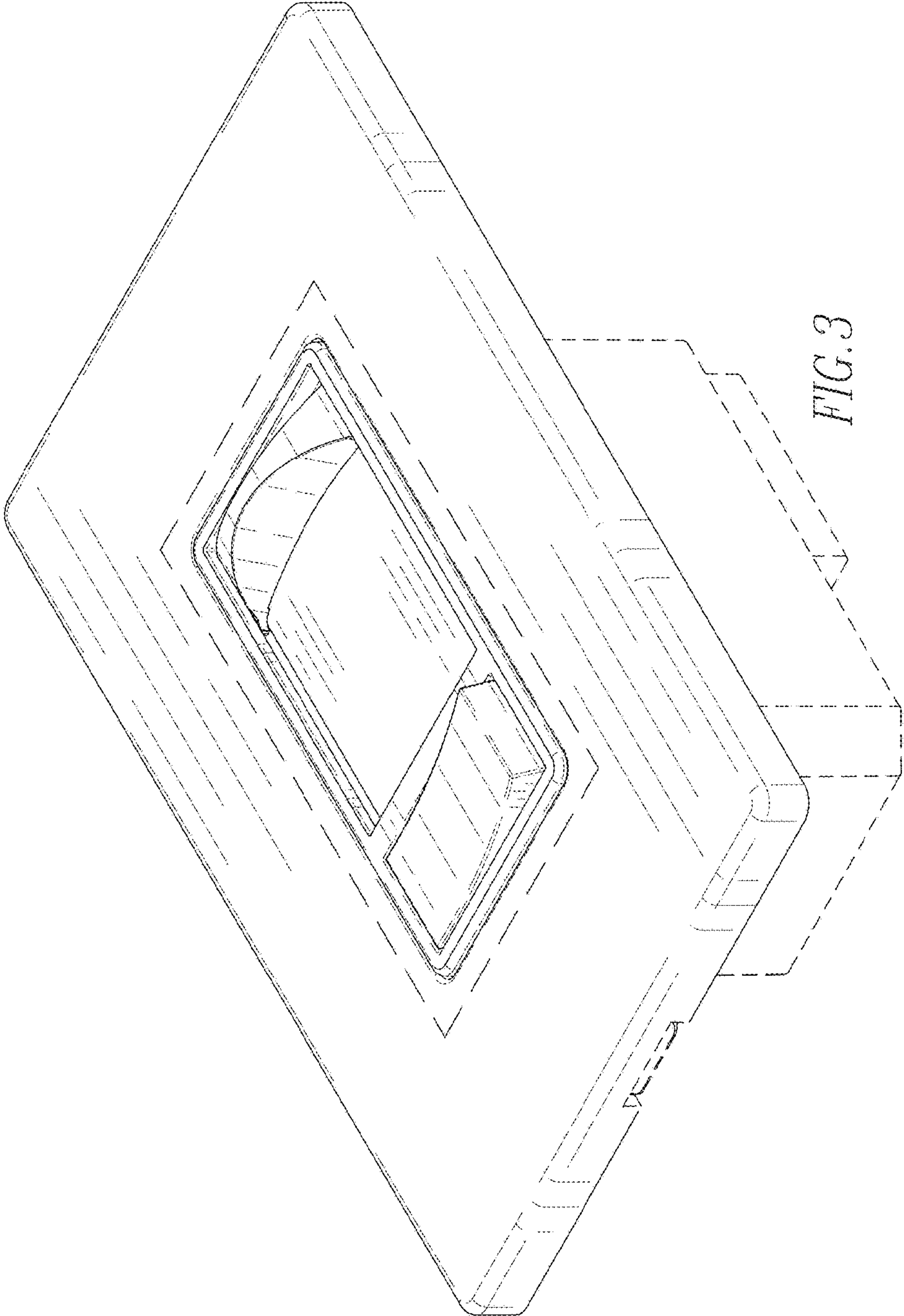


FIG. 2



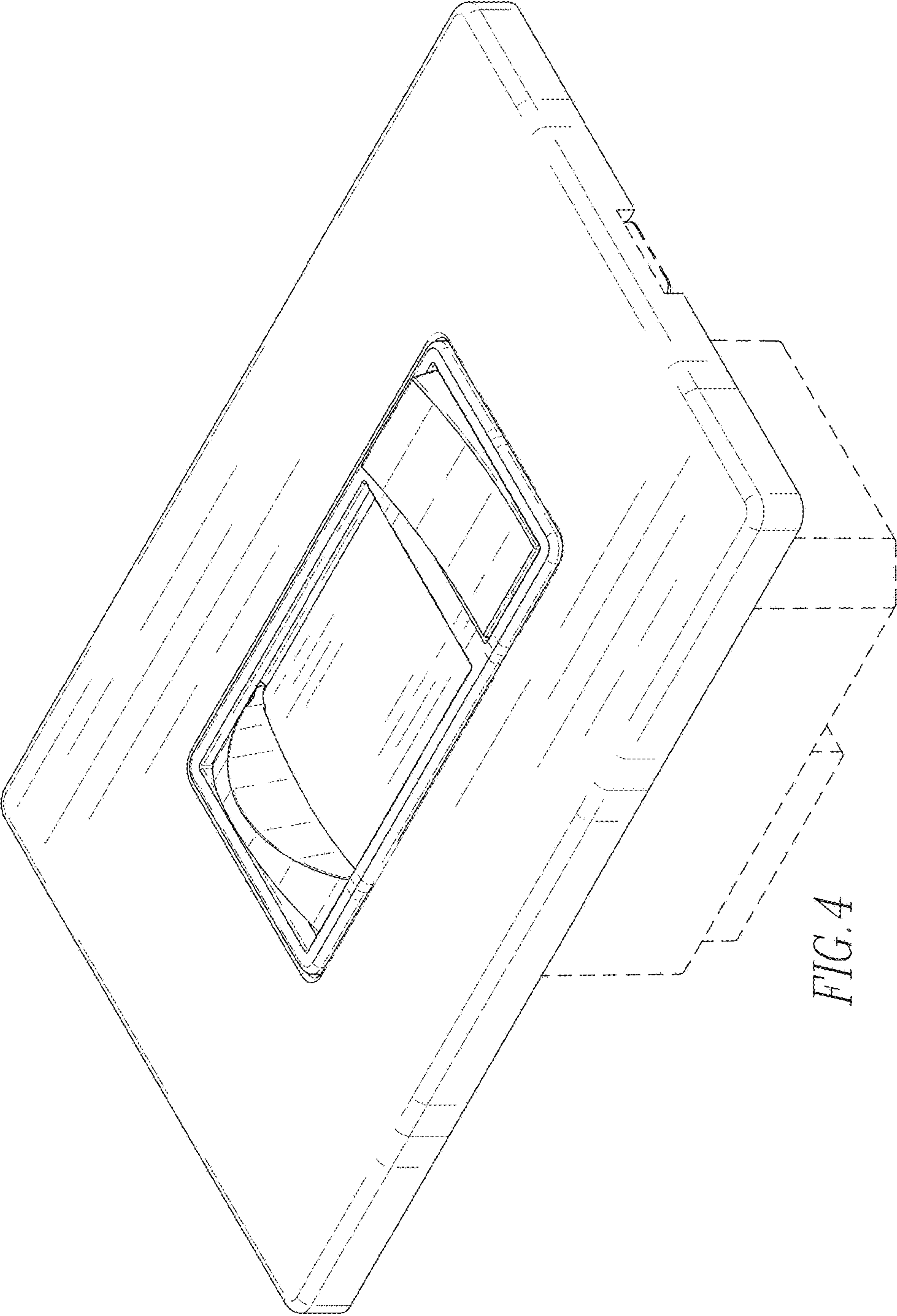


FIG. 4

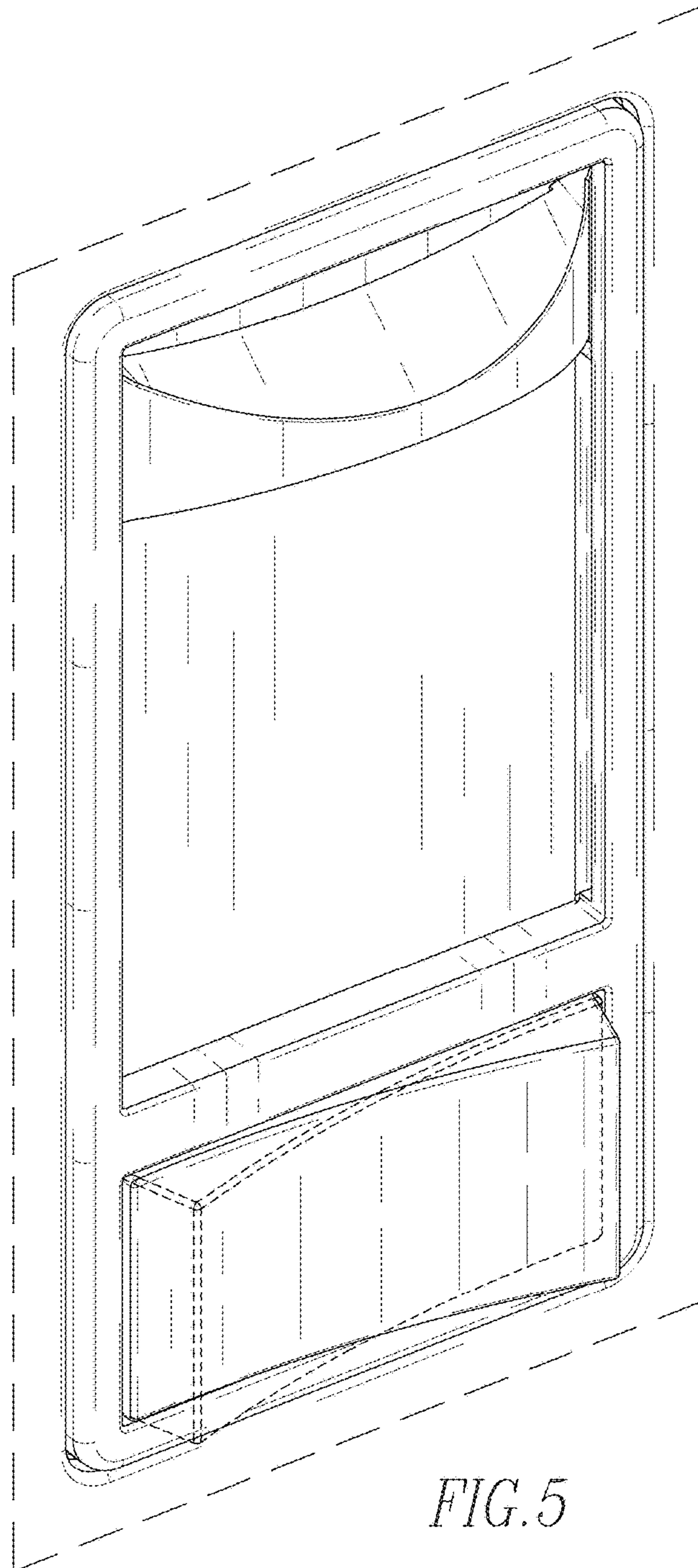


FIG. 5

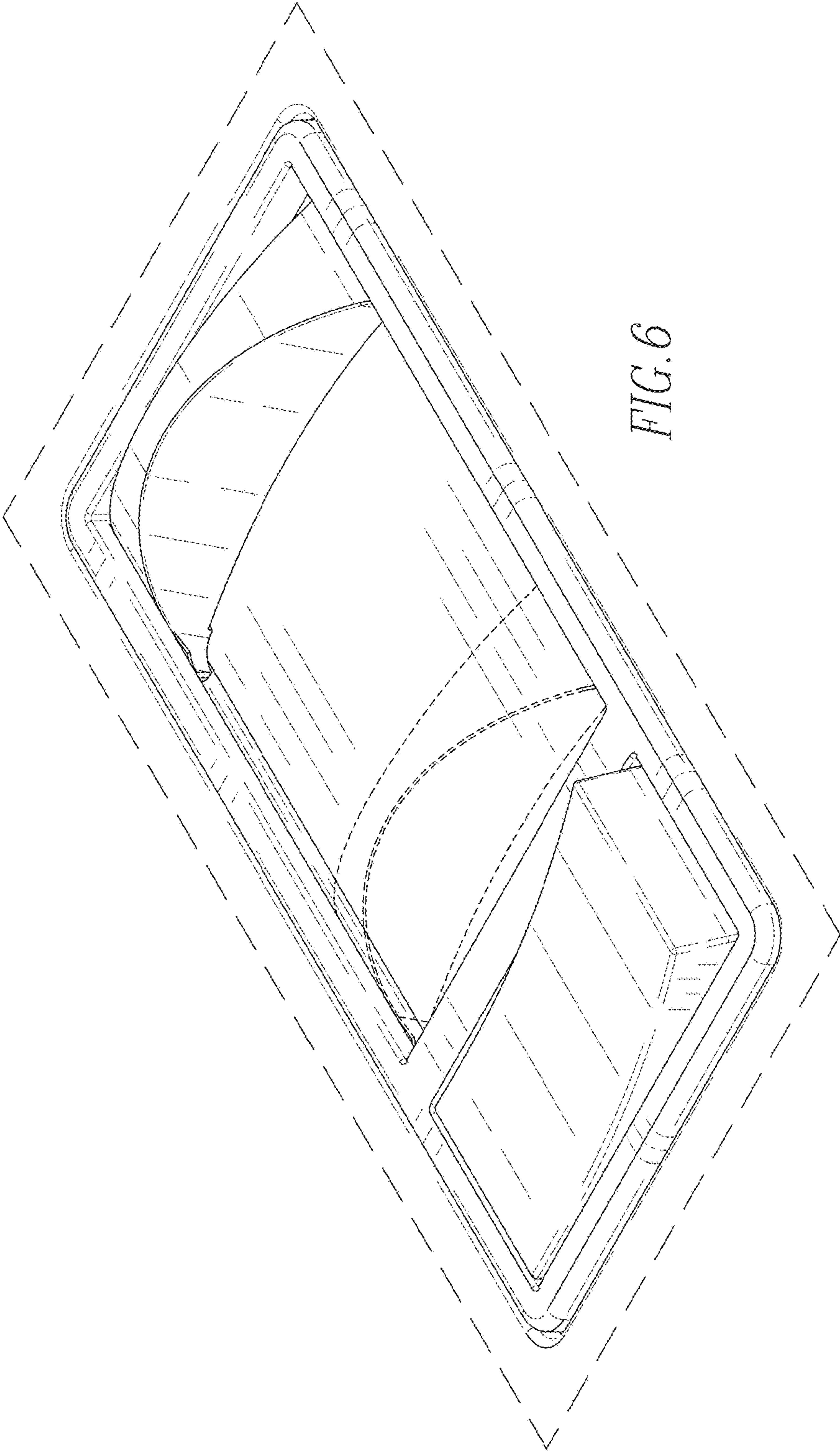


FIG. 6

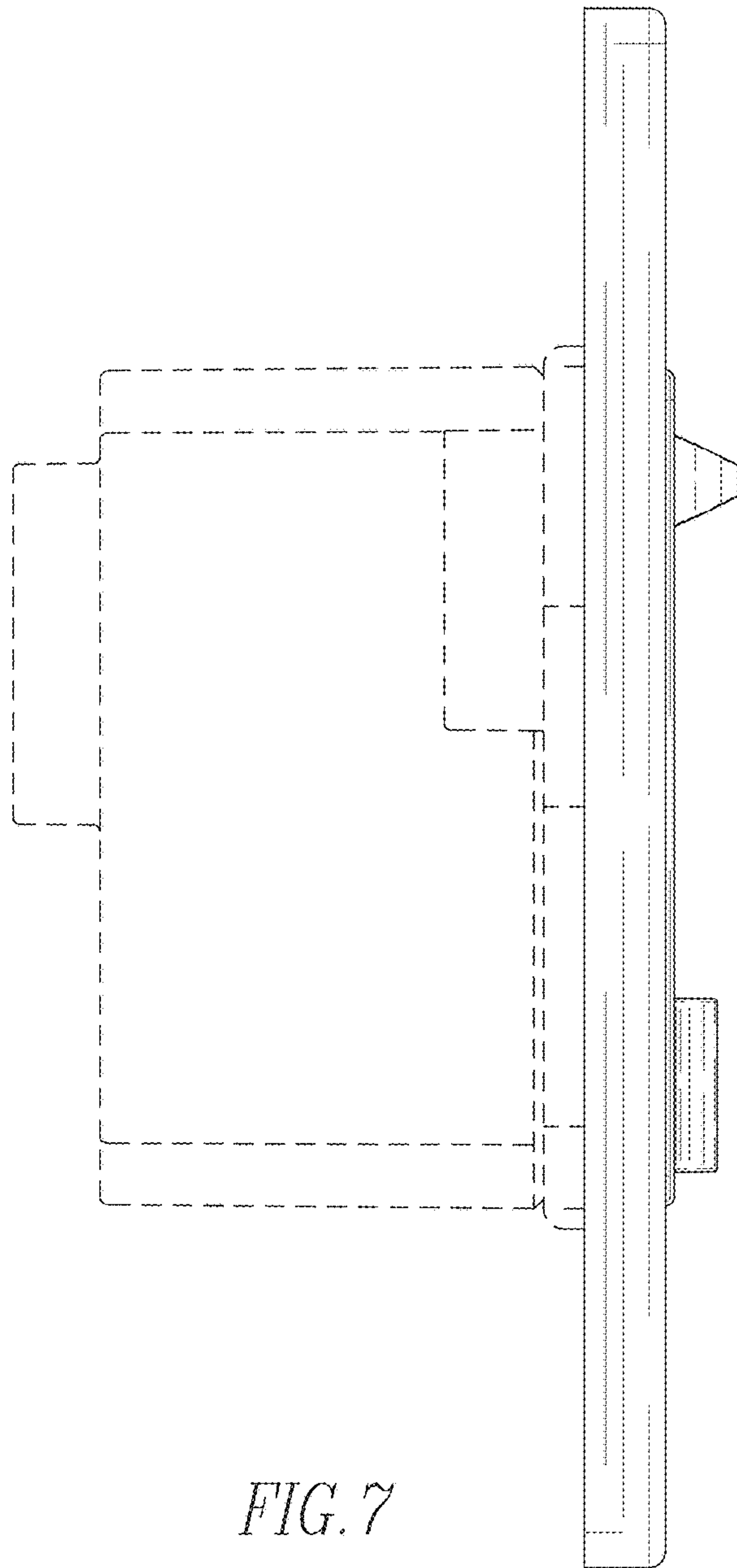


FIG. 7

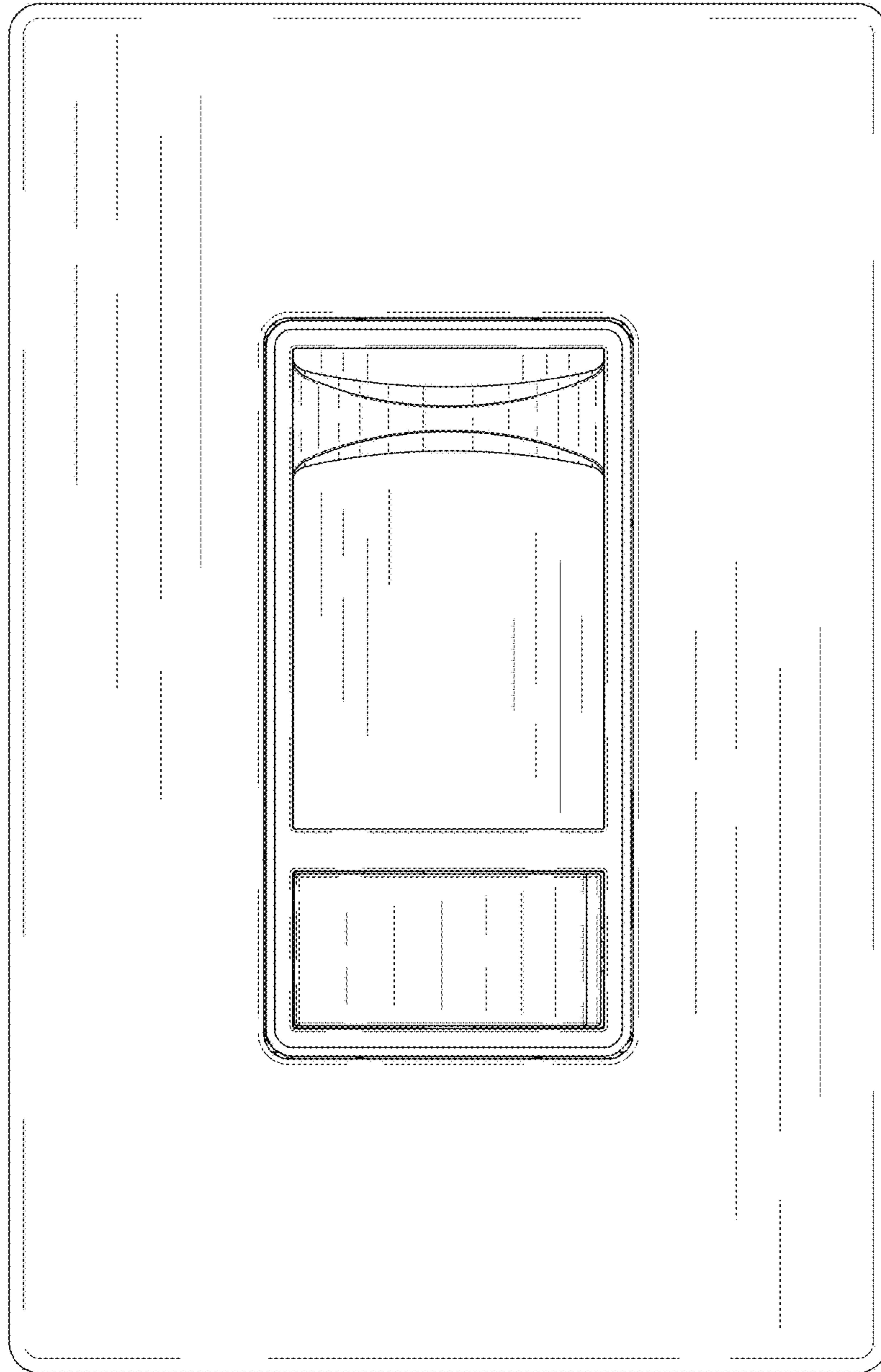
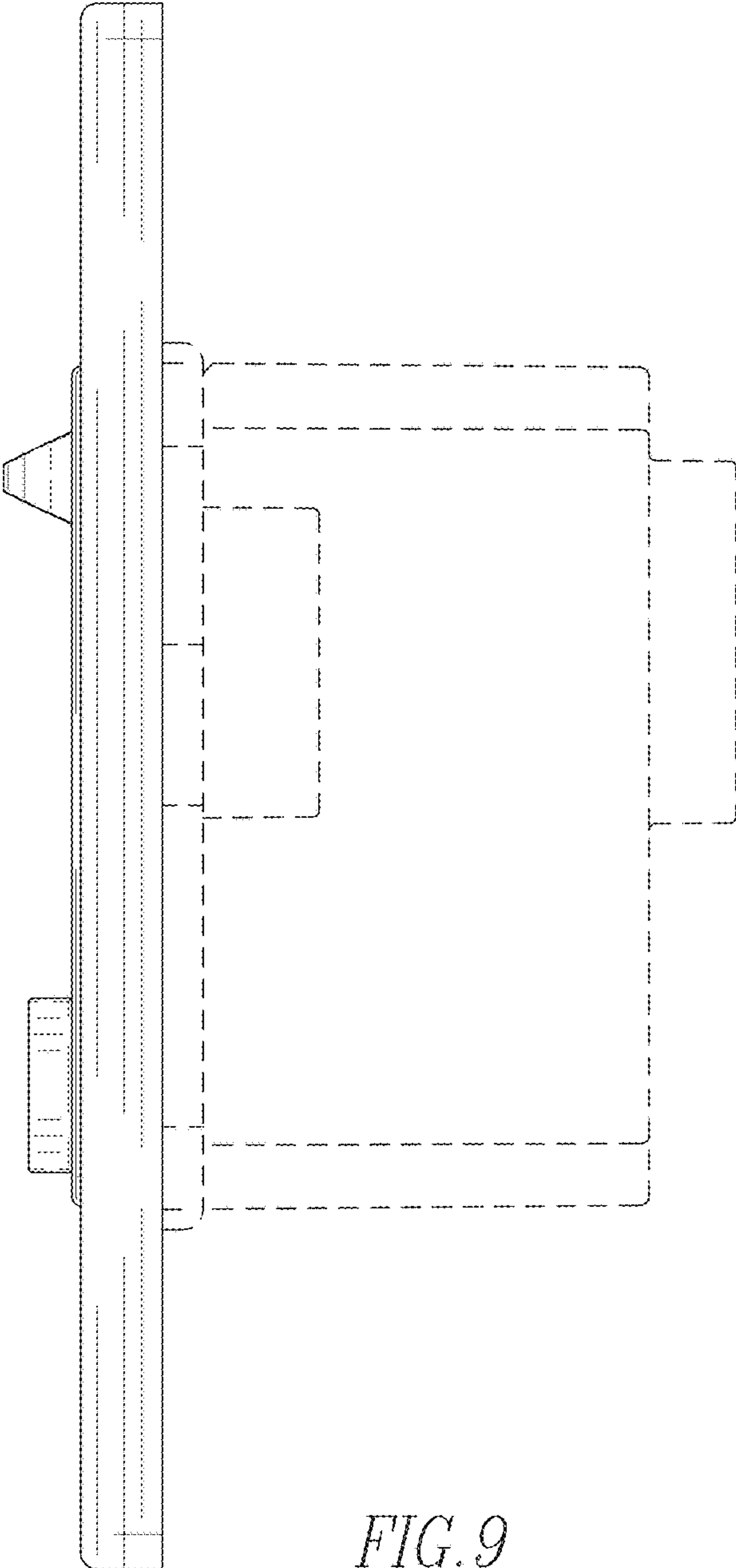


FIG. 8



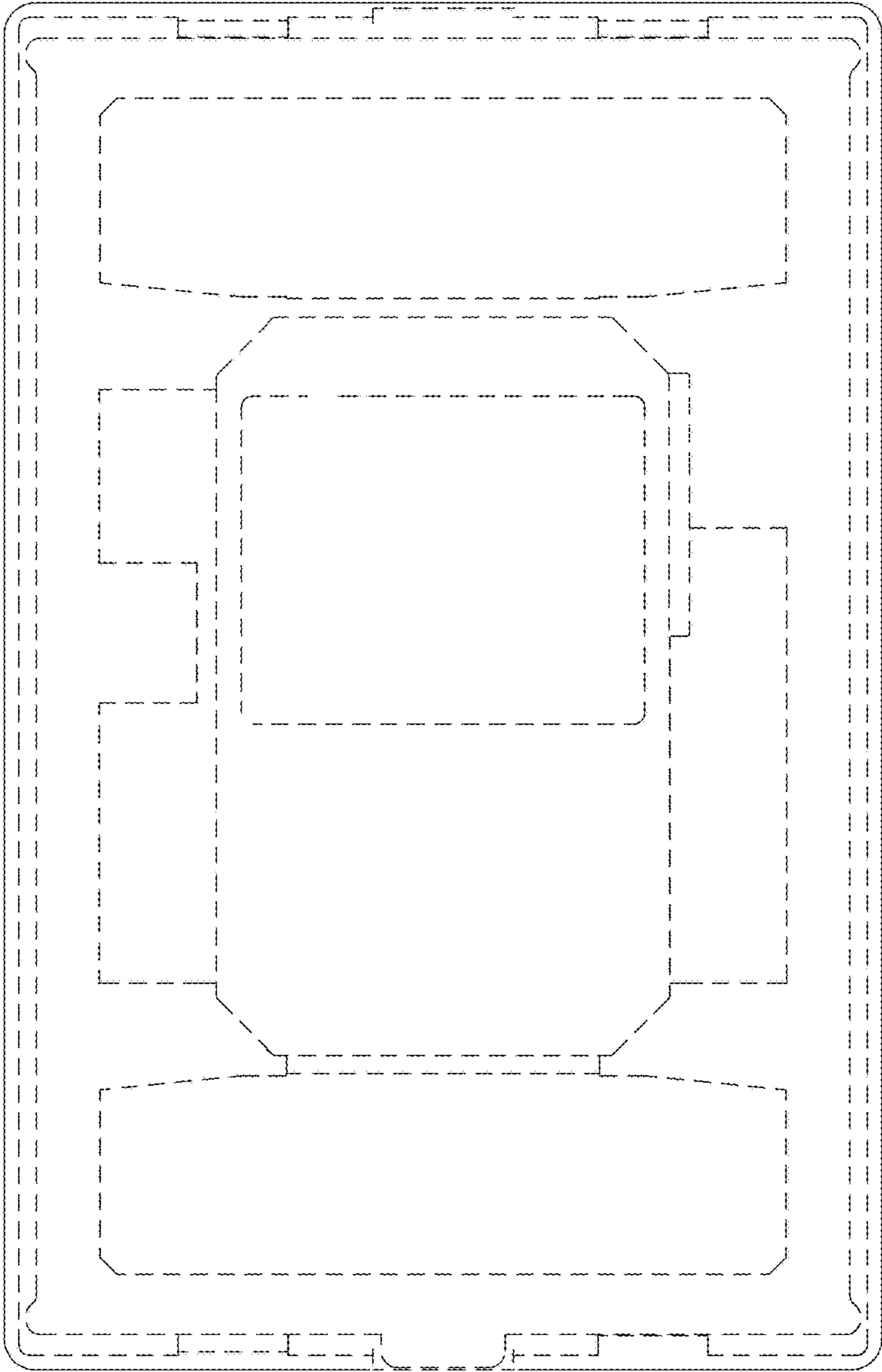


FIG.10

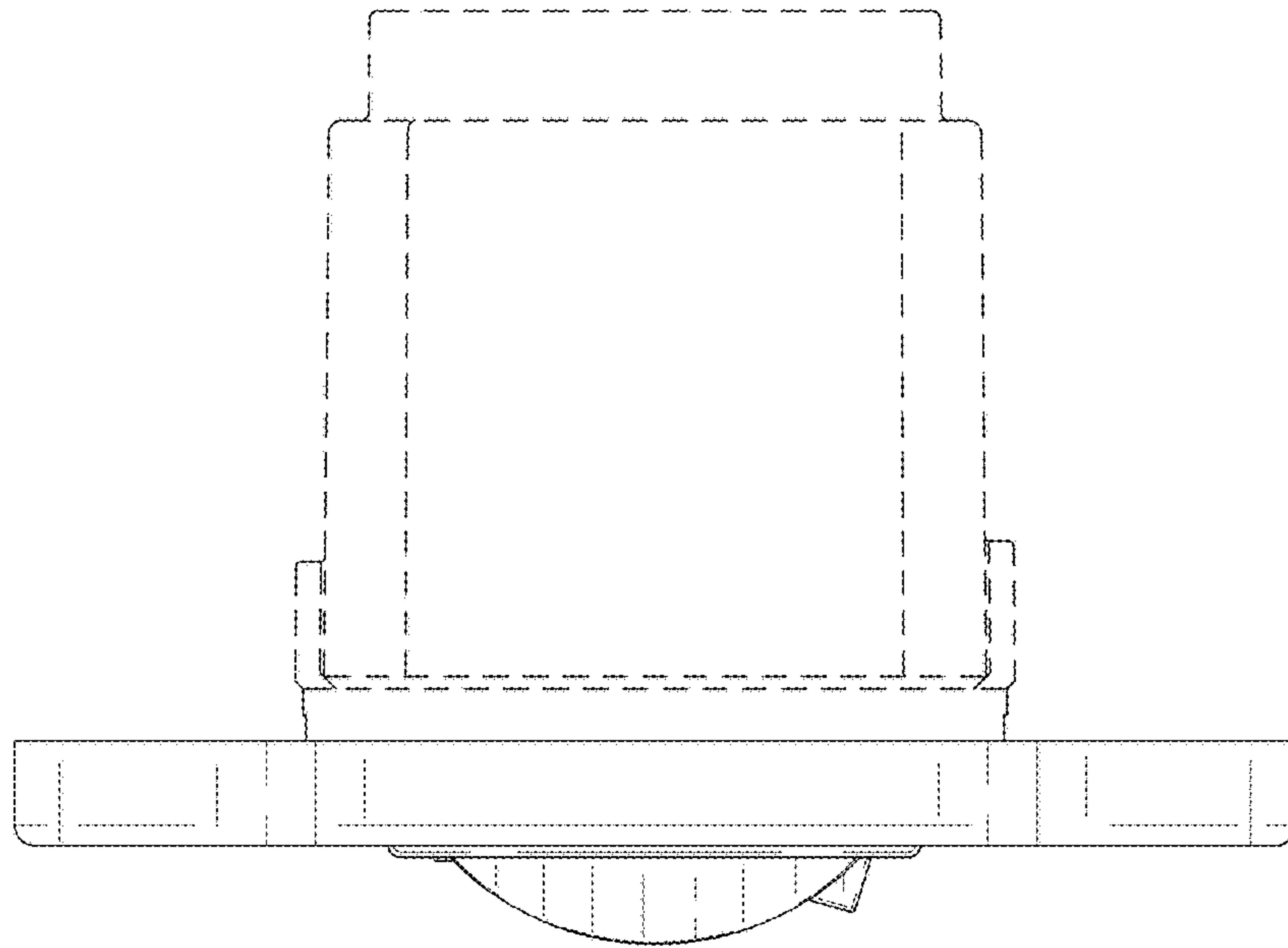


FIG. 11

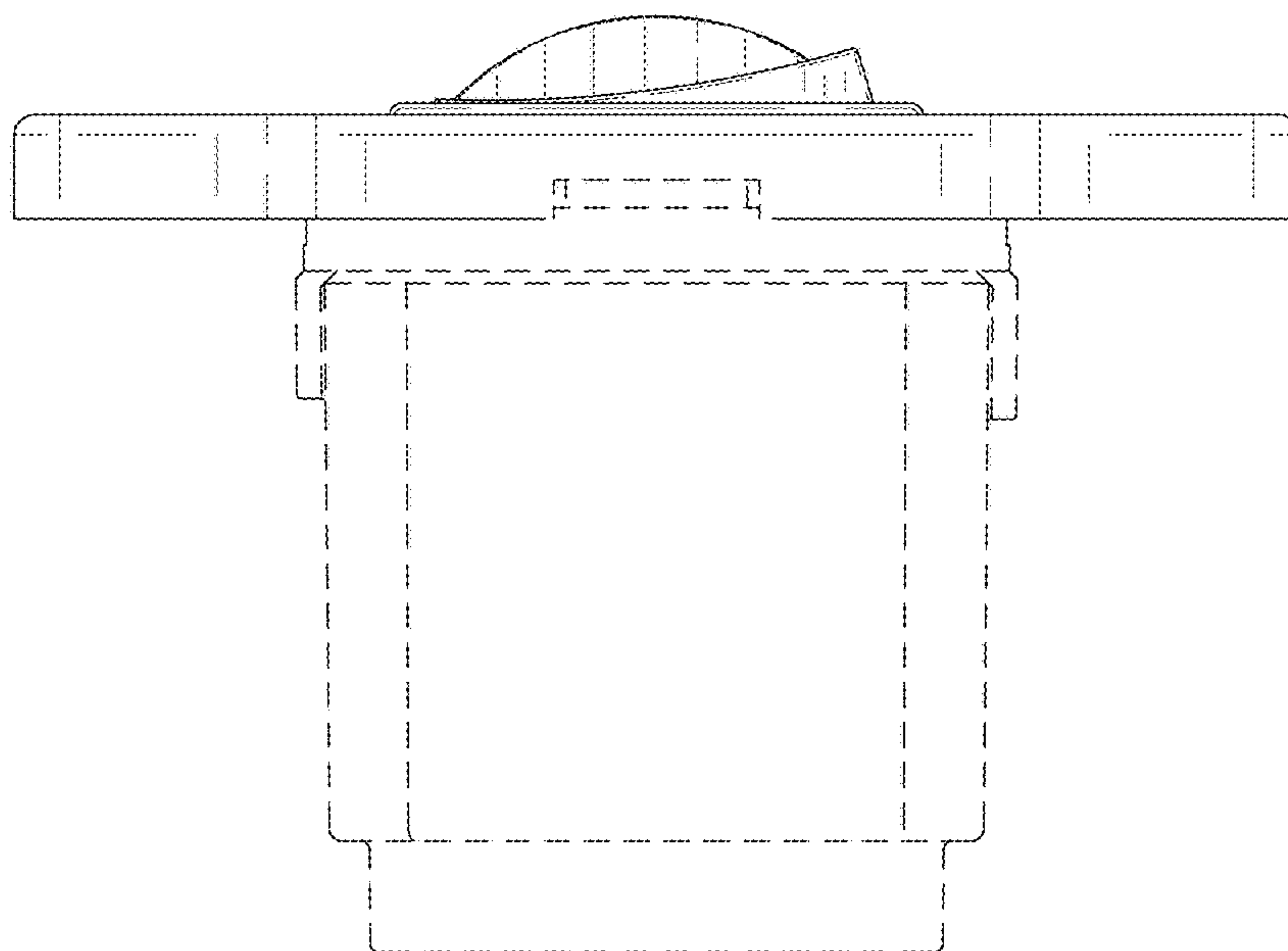


FIG. 12