



US00D820221S

(12) **United States Design Patent**  
**Yang**

(10) **Patent No.:** **US D820,221 S**  
(45) **Date of Patent:** **\*\* Jun. 12, 2018**

- (54) **CONTROLLER FOR ELEVATING DEVICE**
- (71) Applicant: **TIMOTION TECHNOLOGY CO., LTD.**, New Taipei (TW)
- (72) Inventor: **Chung-Jen Yang**, New Taipei (TW)
- (73) Assignee: **TIMOTION TECHNOLOGY CO., LTD.**, New Taipei (TW)
- (\*\*) Term: **15 Years**
- (21) Appl. No.: **29/611,398**
- (22) Filed: **Jul. 21, 2017**
- (51) **LOC (11) Cl.** ..... **13-03**
- (52) **U.S. Cl.**  
USPC ..... **D13/164**
- (58) **Field of Classification Search**  
USPC ..... D13/139.4, 158, 162, 164; D14/305; 200/61.7, 296  
CPC .. H01H 3/00; H01H 3/02; H01H 3/04; H01H 3/06; H01H 9/02; H01H 13/02; H01H 13/04; H01H 13/10; H01H 13/86; H01H 21/22; H01H 21/24; A47C 1/0345; A47C 1/035; A47B 21/02; A47B 9/00; A61G 13/02; A61G 7/018; G05B 15/02  
See application file for complete search history.

- (56) **References Cited**  
U.S. PATENT DOCUMENTS
- 5,259,326 A \* 11/1993 Borgman ..... A47B 9/00 108/147
- D353,363 S \* 12/1994 Toby ..... D13/139.4
- D473,525 S \* 4/2003 Pincek ..... D13/162
- 6,595,144 B1 \* 7/2003 Doyle ..... A47B 9/00 108/147
- D502,474 S \* 3/2005 Raarup ..... D15/143
- 7,538,284 B2 \* 5/2009 Nielsen ..... A47B 9/00 200/296
- D599,745 S \* 9/2009 Yang ..... D13/164

- 8,312,578 B2 \* 11/2012 L'Hegarar ..... A61G 13/02 180/65.1
- D678,217 S \* 3/2013 Helm ..... D13/162
- D678,847 S \* 3/2013 Helm ..... D13/162
- D689,825 S \* 9/2013 Wenji ..... D13/162
- D740,763 S \* 10/2015 Wenji ..... D13/162
- D753,609 S \* 4/2016 Wetzel ..... D10/49
- 9,608,557 B2 \* 3/2017 Clausen ..... H02P 29/40
- 9,703,278 B2 \* 7/2017 Kristensen ..... G05B 15/02
- D794,581 S \* 8/2017 Lin ..... D13/169
- 2013/0199419 A1 \* 8/2013 Hjelm ..... A47B 9/00 108/20
- 2013/0204438 A1 \* 8/2013 Hjelm ..... A47B 9/00 700/275
- 2014/0350701 A1 \* 11/2014 Underwood ..... H01R 9/2408 700/83

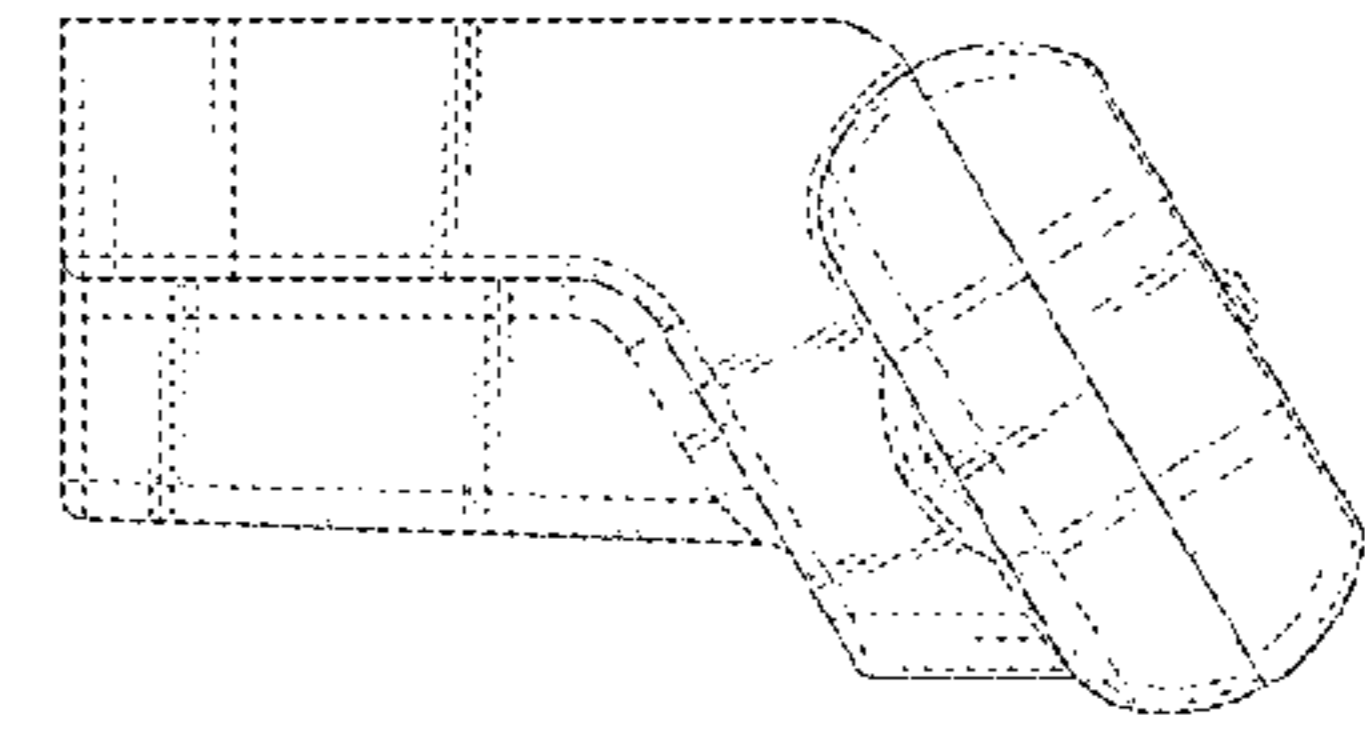
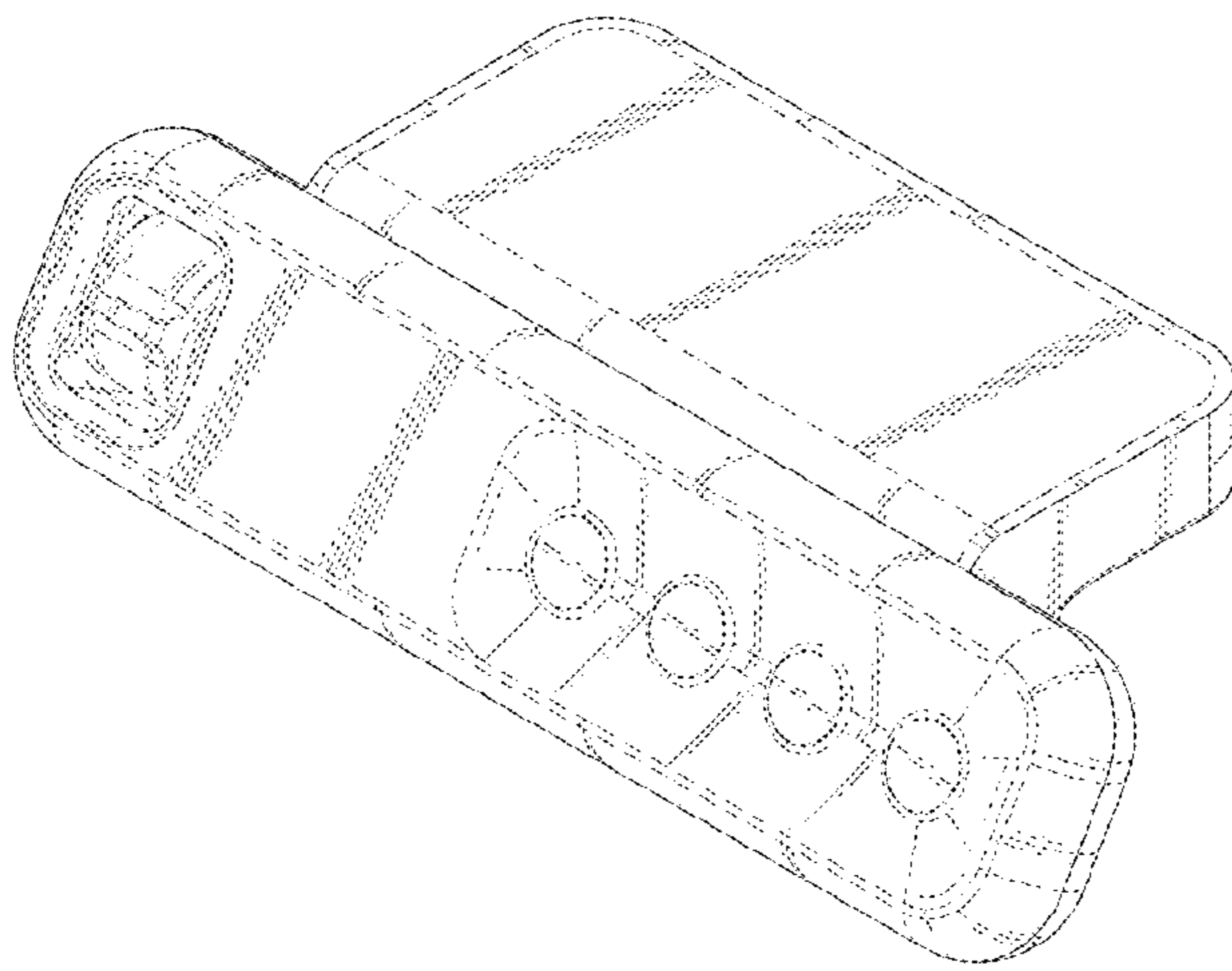
(Continued)

*Primary Examiner* — Selina Sikder  
(74) *Attorney, Agent, or Firm* — Chun-Ming Shih; HDLS IPR Services

(57) **CLAIM**  
The ornamental design for a controller for elevating device, as shown and described.

**DESCRIPTION**  
FIG. 1 is a perspective view of a controller for elevating device showing my new design;  
FIG. 2 is a front view thereof;  
FIG. 3 is a rear view thereof;  
FIG. 4 is a left side view thereof;  
FIG. 5 is a right side view thereof;  
FIG. 6 is a top view thereof;  
FIG. 7 is a bottom view thereof; and  
FIG. 8 is second perspective view showing the controller for elevating device; and,  
FIG. 9 is a perspective view showing the controller for elevating device showing an alternate environment.  
The broken lines shown represent unclaimed subject matter and form no part of the claimed design.

**1 Claim, 9 Drawing Sheets**



(56)

**References Cited**

U.S. PATENT DOCUMENTS

2015/0246404 A1\* 9/2015 Teraoka ..... B23K 3/08  
219/129  
2016/0309889 A1\* 10/2016 Lin ..... A47B 9/00

\* cited by examiner

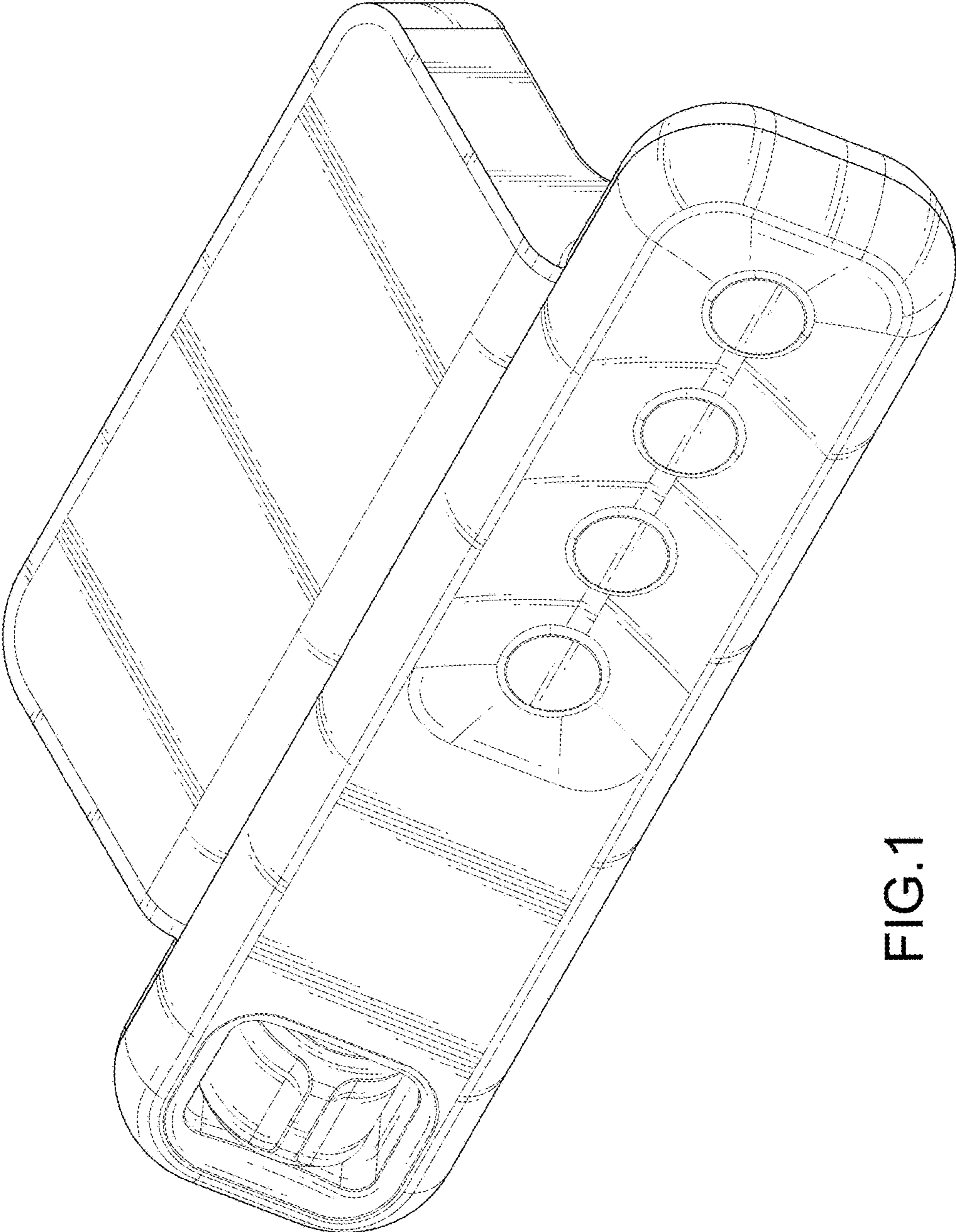


FIG.1

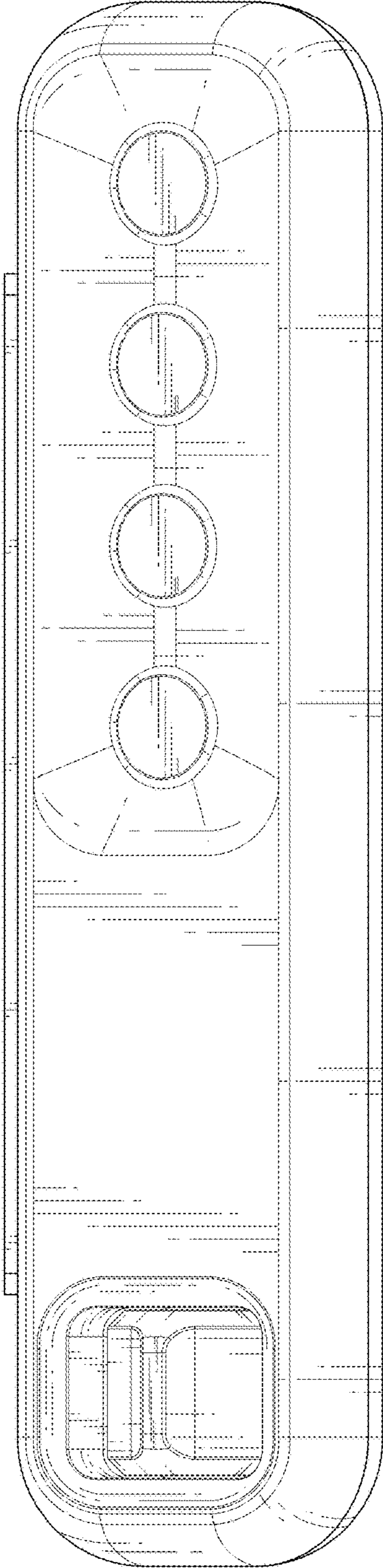


FIG.2

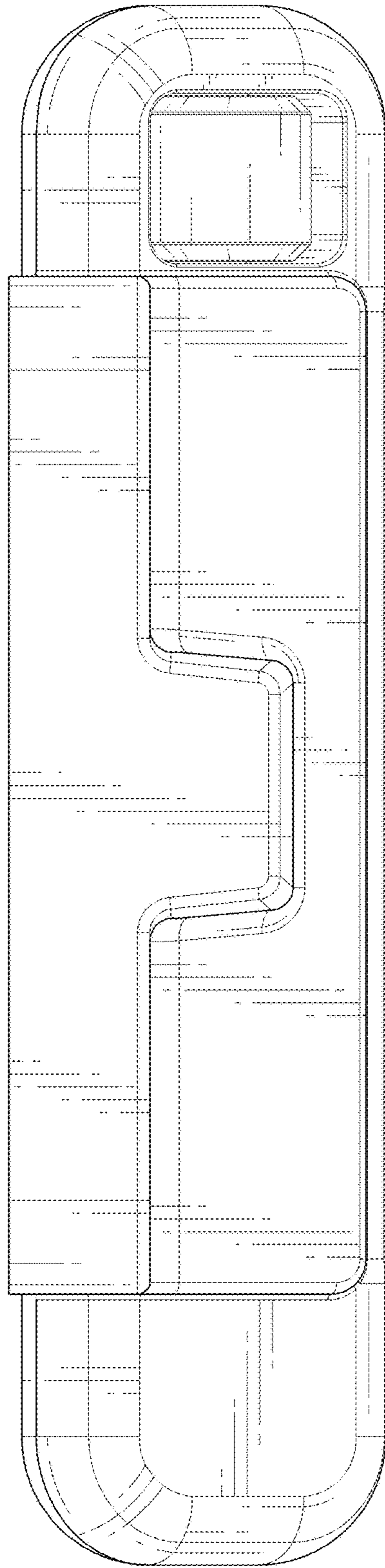


FIG.3

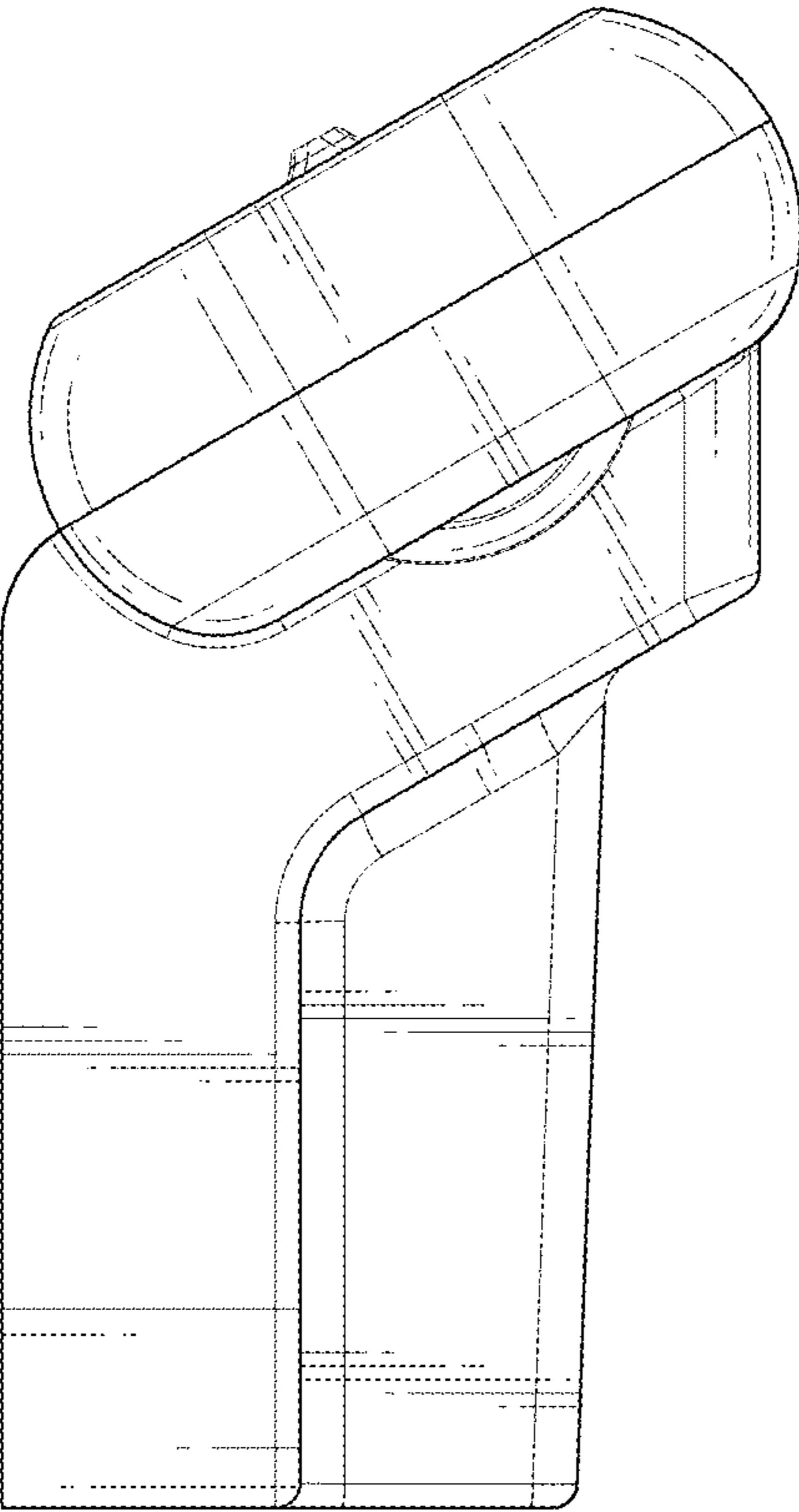


FIG.4

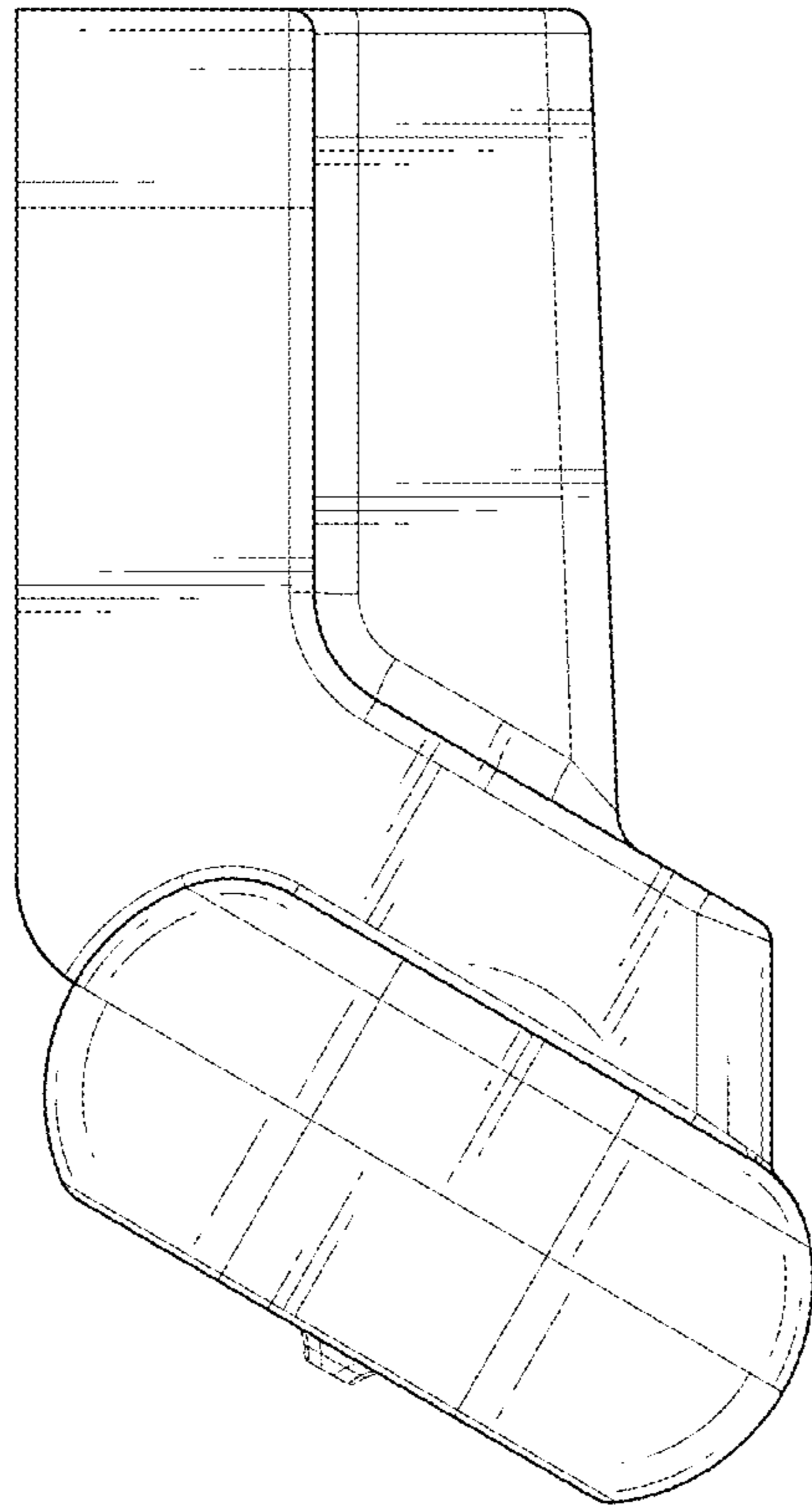


FIG. 5

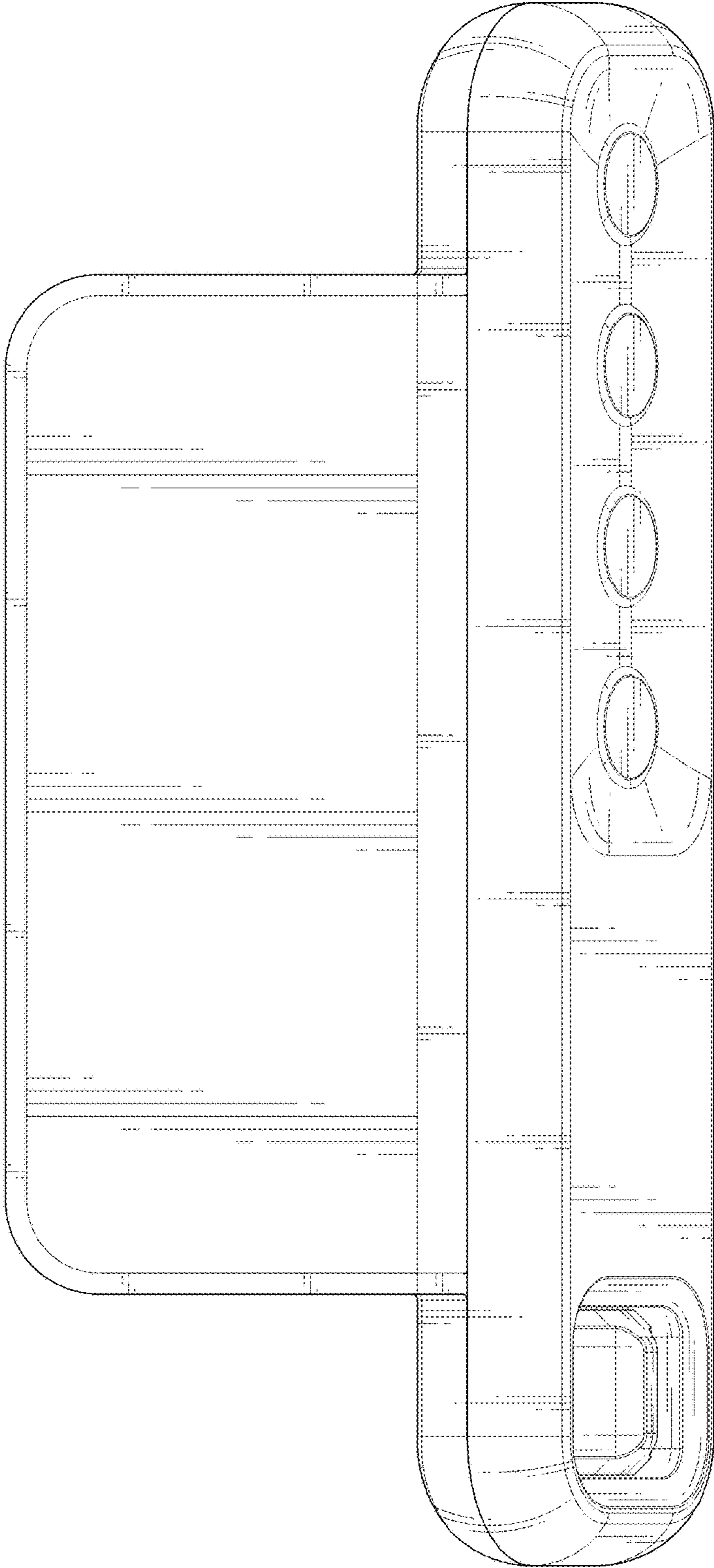


FIG.6



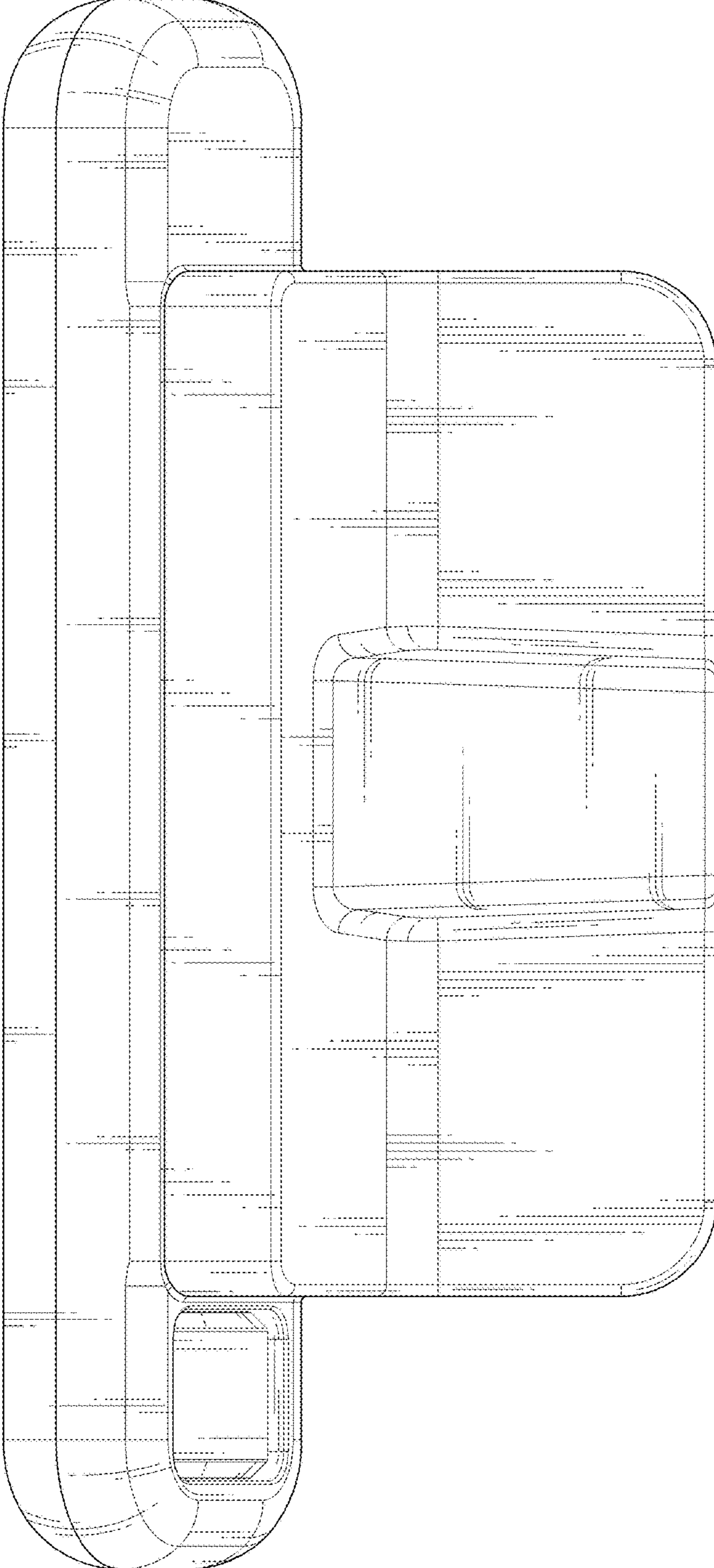


FIG.7

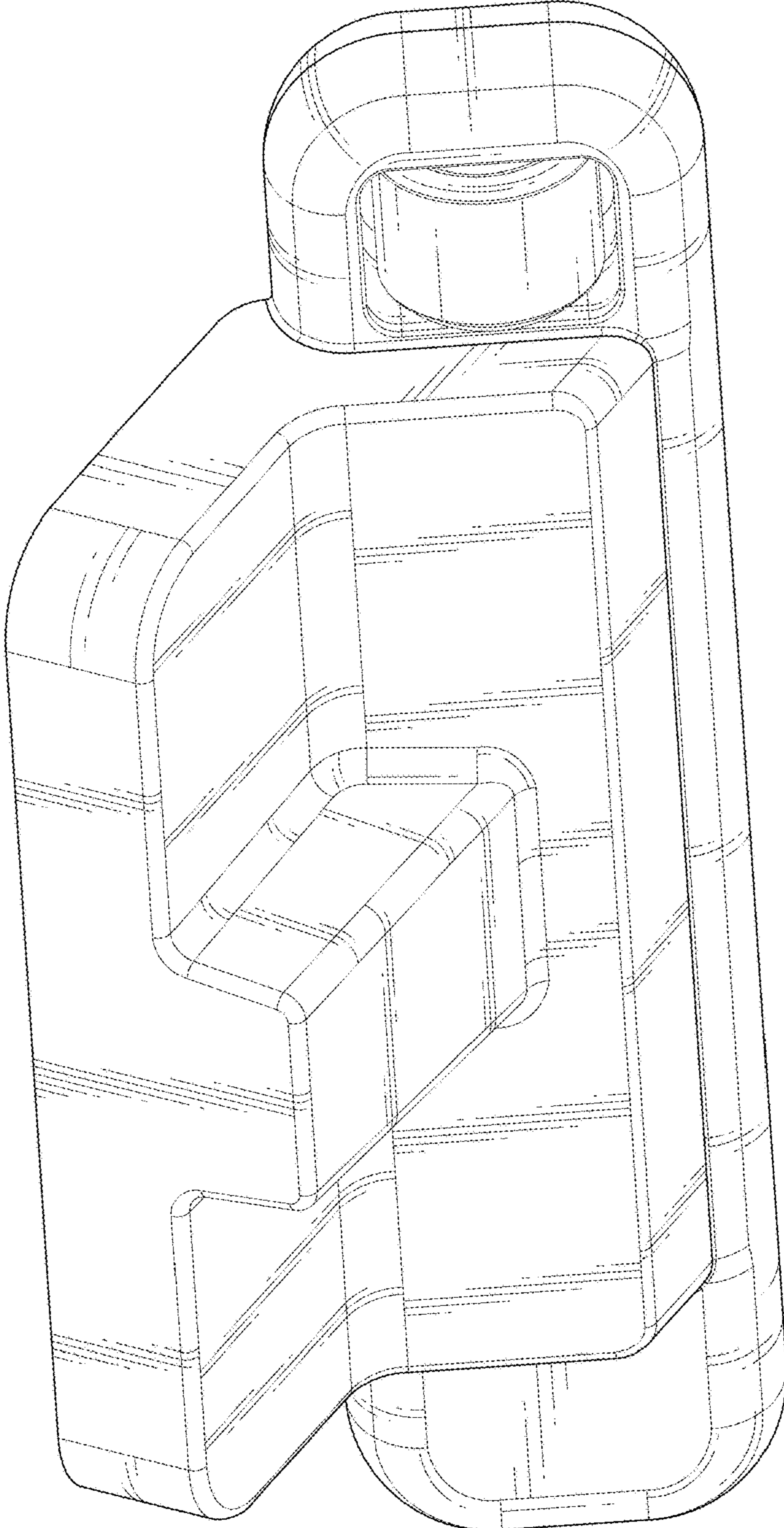


FIG.8

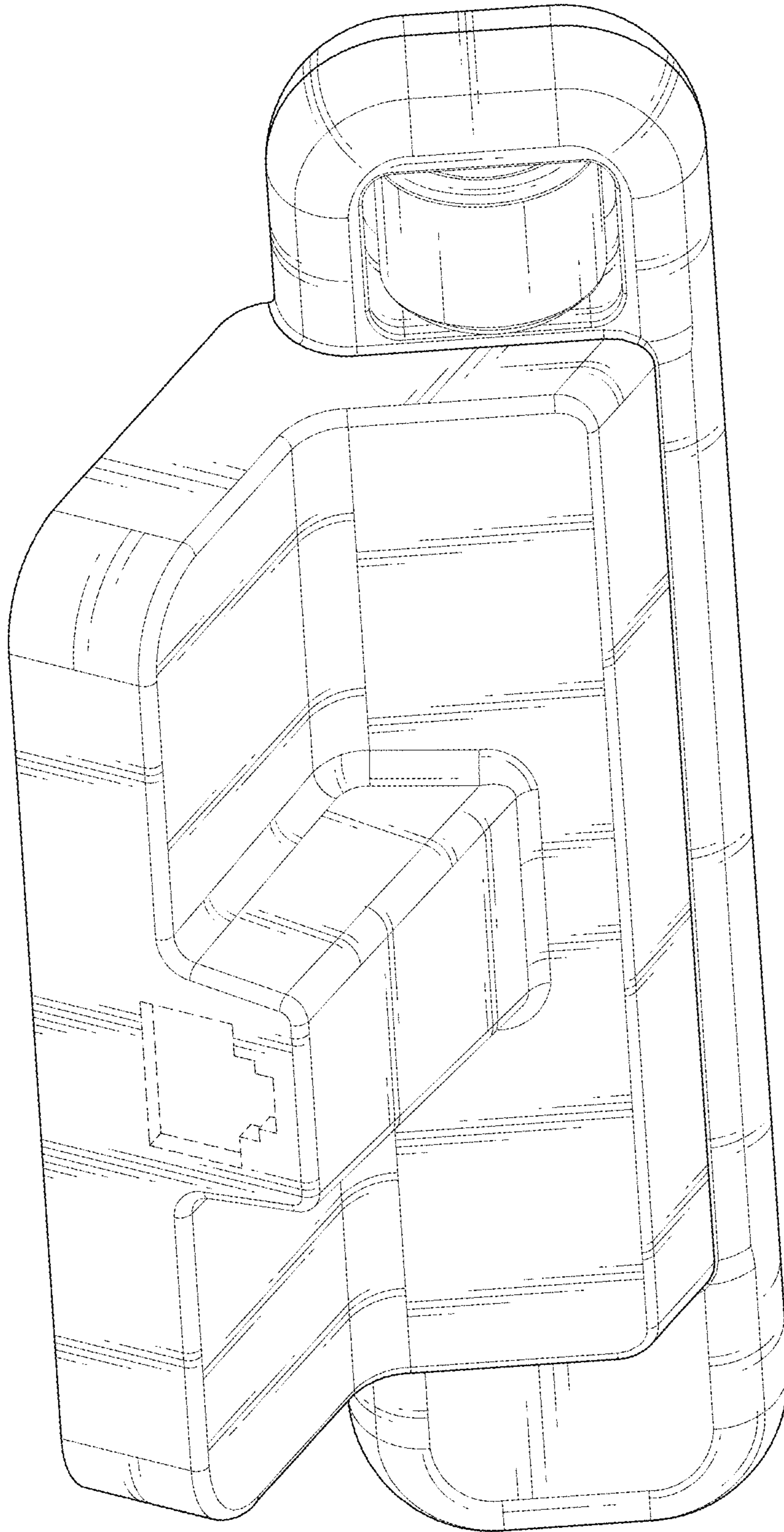


FIG.9