



US00D820220S

(12) **United States Design Patent**
Kato et al.

(10) **Patent No.:** **US D820,220 S**
(45) **Date of Patent:** **** Jun. 12, 2018**

(54) **OPERATION BOARD FOR NUMERICAL CONTROLLER**

(71) Applicant: **Mitsubishi Electric Corporation**,
Tokyo (JP)

(72) Inventors: **Shinichi Kato**, Tokyo (JP); **Yuki Mizushi**, Tokyo (JP); **Shoichiro Hayashi**, Tokyo (JP); **Hirohisa Naguchi**, Tokyo (JP)

(73) Assignee: **Mitsubishi Electric Corporation**,
Tokyo (JP)

(**) Term: **15 Years**

(21) Appl. No.: **29/603,504**

(22) Filed: **May 10, 2017**

(30) **Foreign Application Priority Data**

Nov. 15, 2016 (JP) 2016-024811

(51) **LOC (11) Cl.** **13-03**

(52) **U.S. Cl.**
USPC **D13/162**

(58) **Field of Classification Search**

USPC D13/162, 177; D10/125; D14/388, 443;
D15/28, 122, 146; D34/35
CPC G05B 19/00; G05B 19/02; G05B 19/0426;
G05B 19/05; G05B 19/19409; G06F
3/0489

See application file for complete search history.

(56) **References Cited**

U.S. PATENT DOCUMENTS

D287,005 S * 12/1986 Newton D13/162
D287,228 S * 12/1986 Newton D10/103

D354,747 S * 1/1995 Herbstritt D14/443
D406,830 S * 3/1999 Herbstritt D10/103
D546,770 S * 7/2007 Herbstritt D13/162
D563,624 S * 3/2008 Kato D34/35
D573,108 S * 7/2008 Pan D13/164
D578,272 S * 10/2008 Kato D15/28
D578,273 S * 10/2008 Kato D34/35
D633,117 S * 2/2011 de la Hamayde D15/146
D635,101 S * 3/2011 Farrow D13/162
D753,607 S * 4/2016 Lee D13/162
D799,433 S * 10/2017 Shimohama D13/164

* cited by examiner

Primary Examiner — Selina Sikder

(74) *Attorney, Agent, or Firm* — Studebaker & Brackett
PC

(57) **CLAIM**

The ornamental design for the operation board for numerical controller, as shown and described.

DESCRIPTION

FIG. 1 is a front, top and right side perspective view of an operation board for numerical controller, showing our new design;

FIG. 2 is a front view thereof;

FIG. 3 is a rear view thereof;

FIG. 4 is a top view thereof;

FIG. 5 is a bottom view thereof;

FIG. 6 is a right side view thereof; and,

FIG. 7 is a left side view thereof.

The parts shown in the broken lines are for the purpose of illustrating portions of the article and do not form part of the claimed designs. Dotted and dashed lines represent boundaries of the claimed design and form no part thereof.

1 Claim, 7 Drawing Sheets

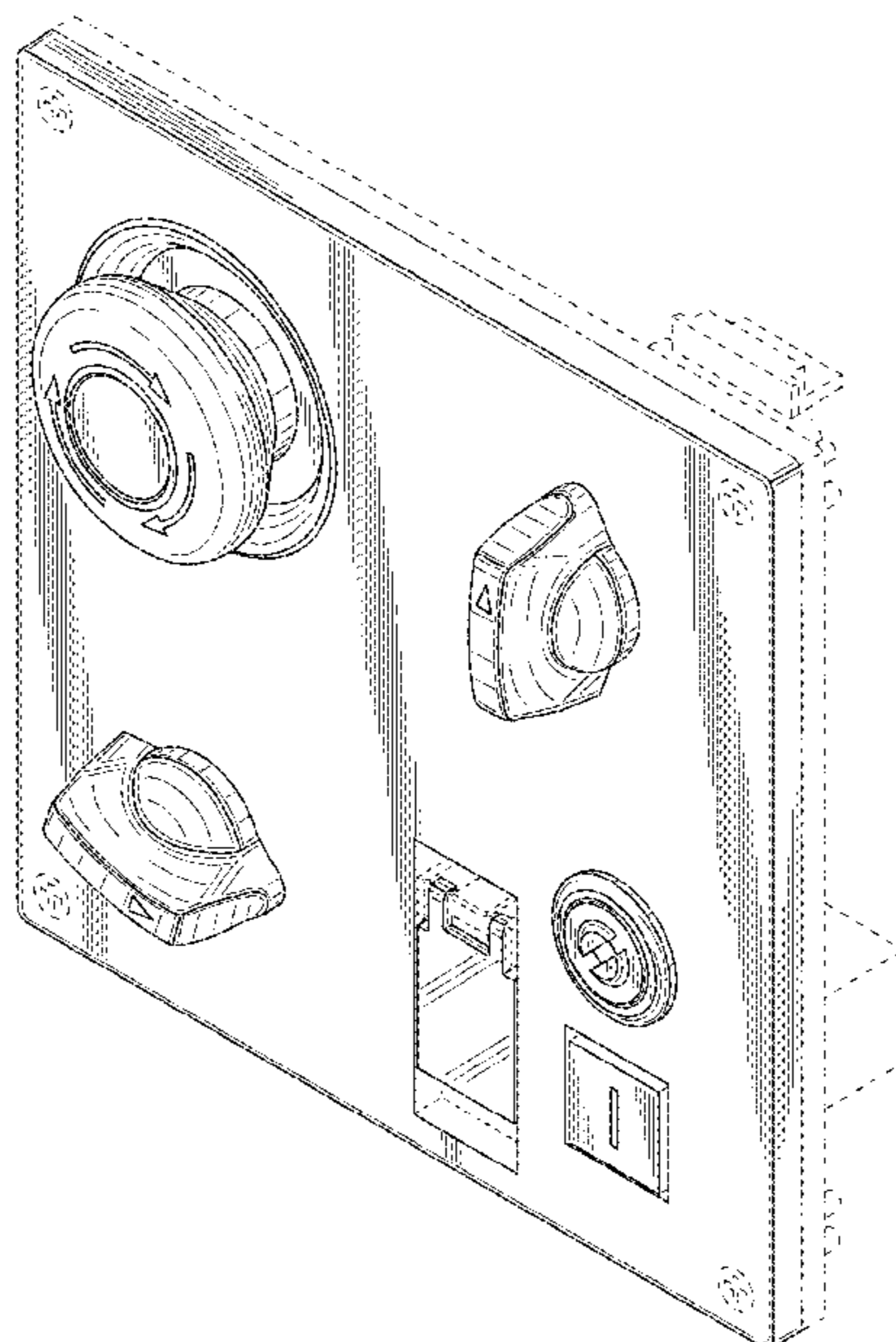


FIG. 1

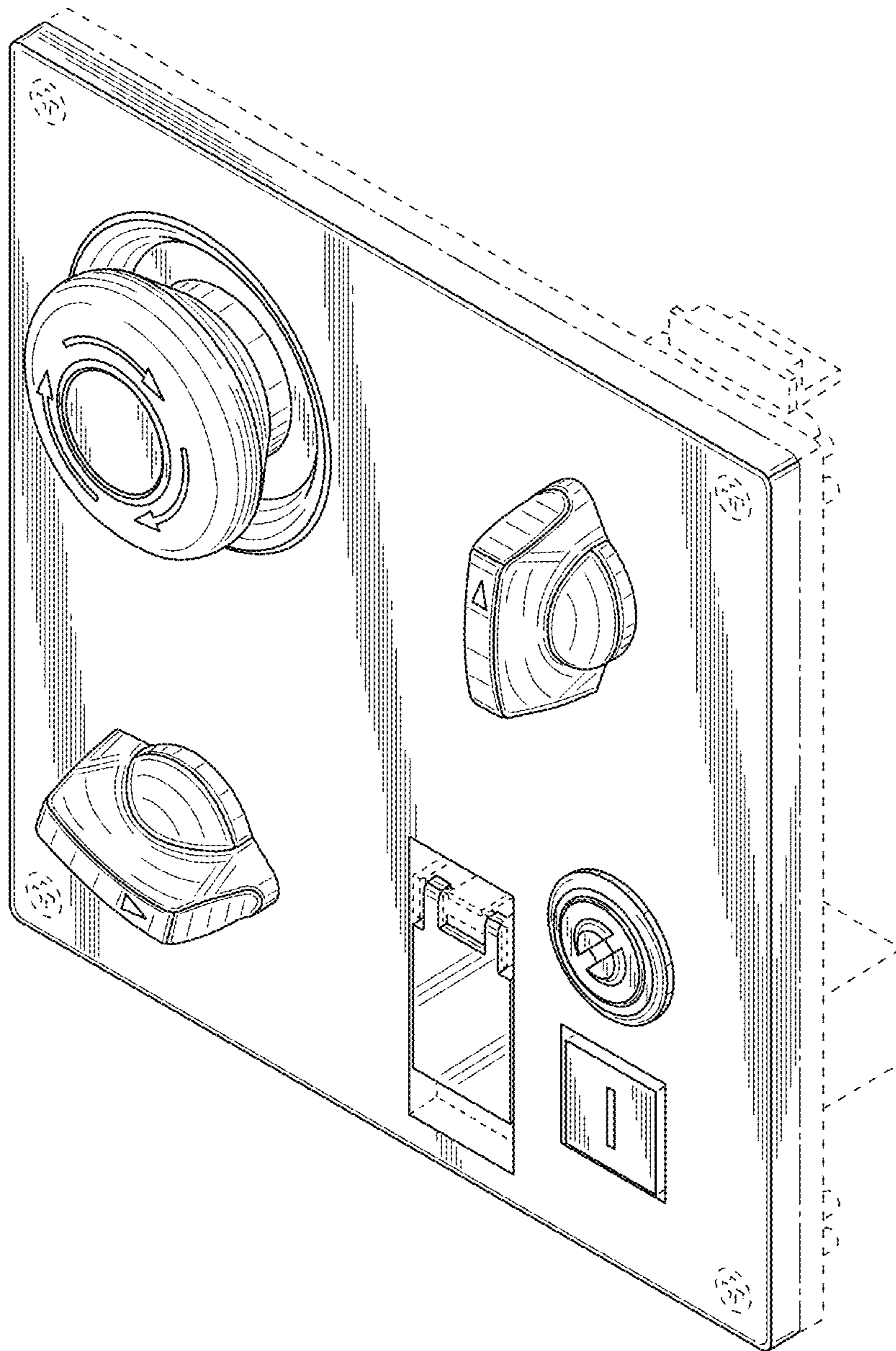


FIG. 2

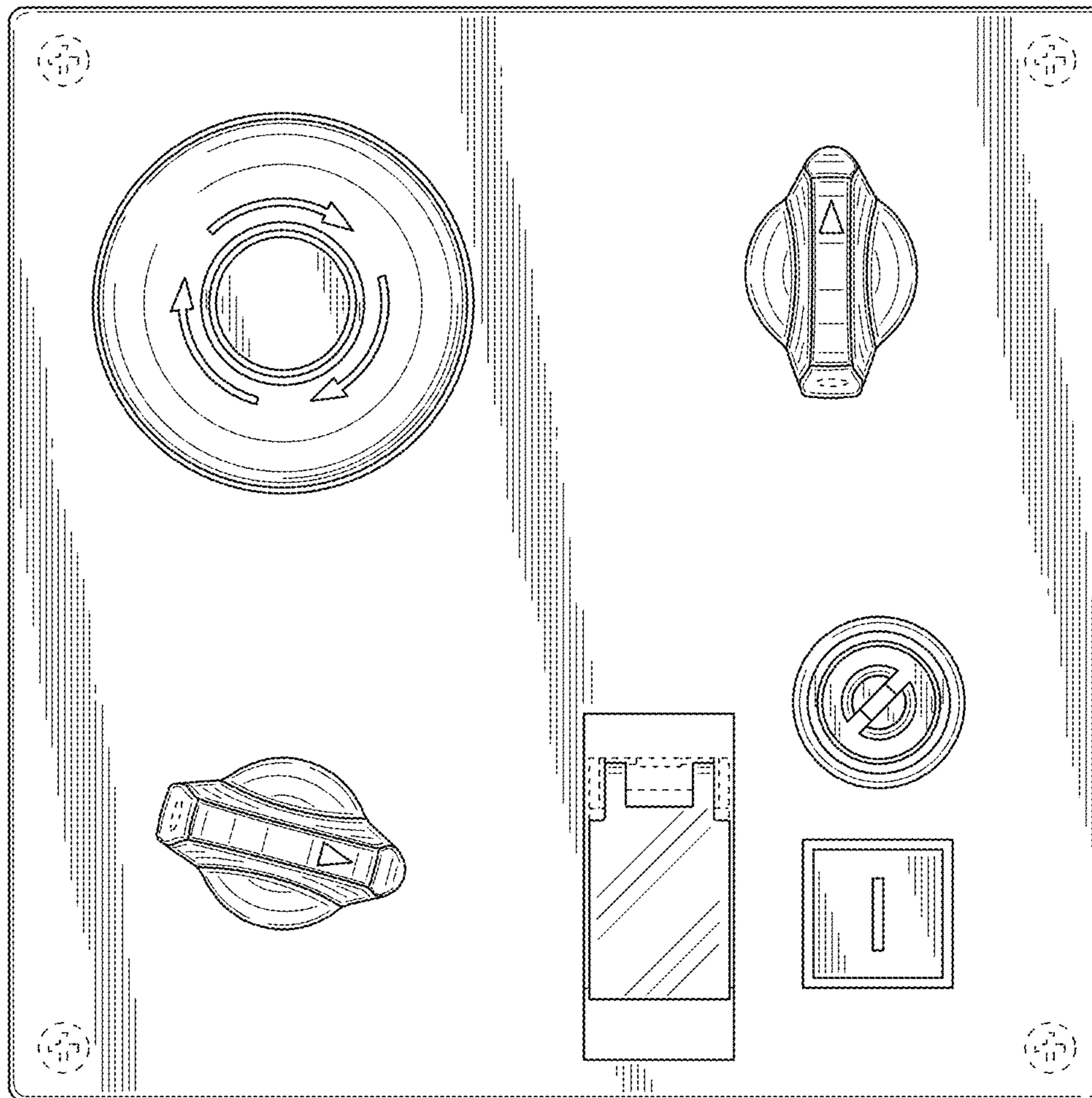


FIG. 3

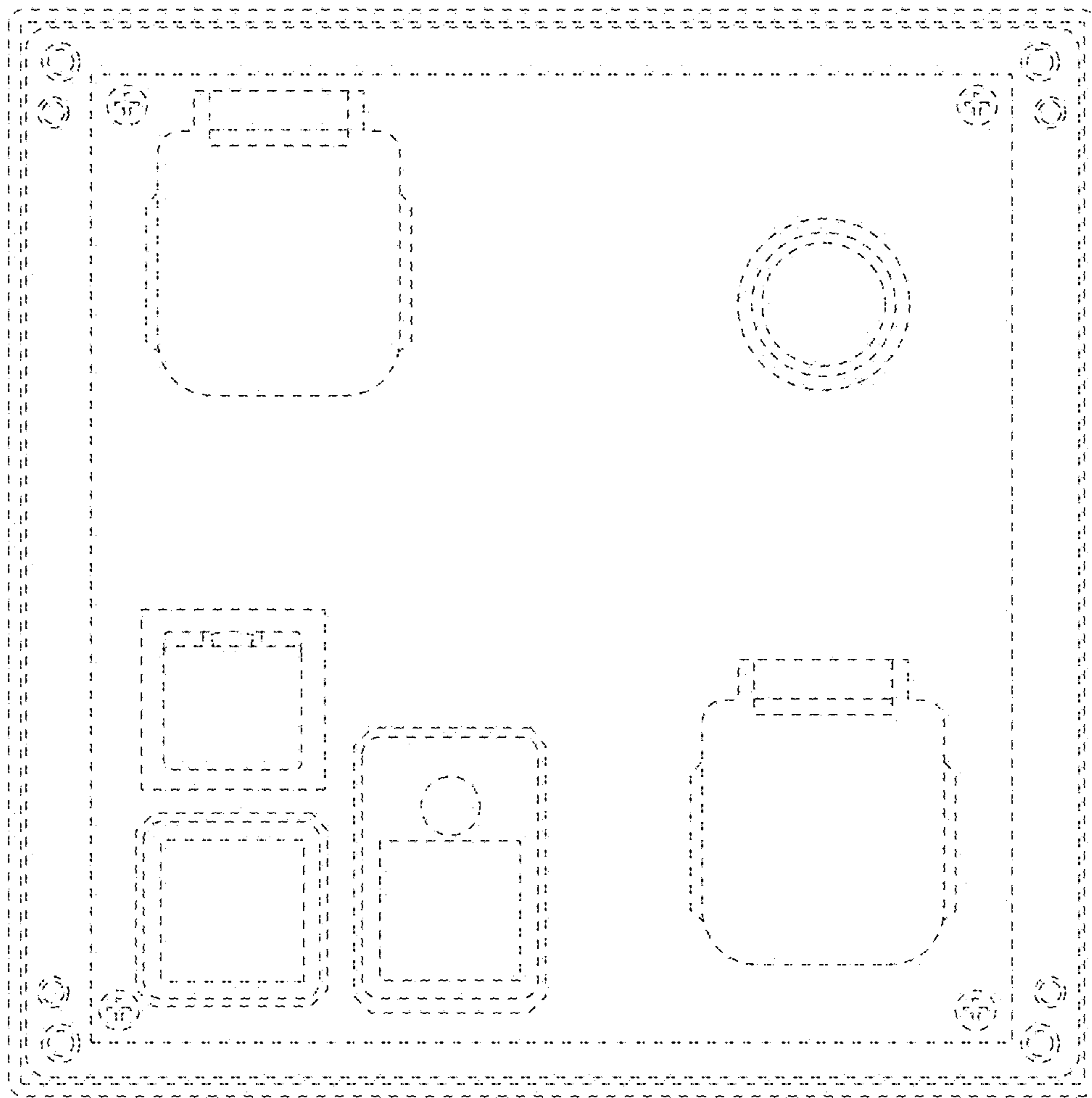


FIG. 4

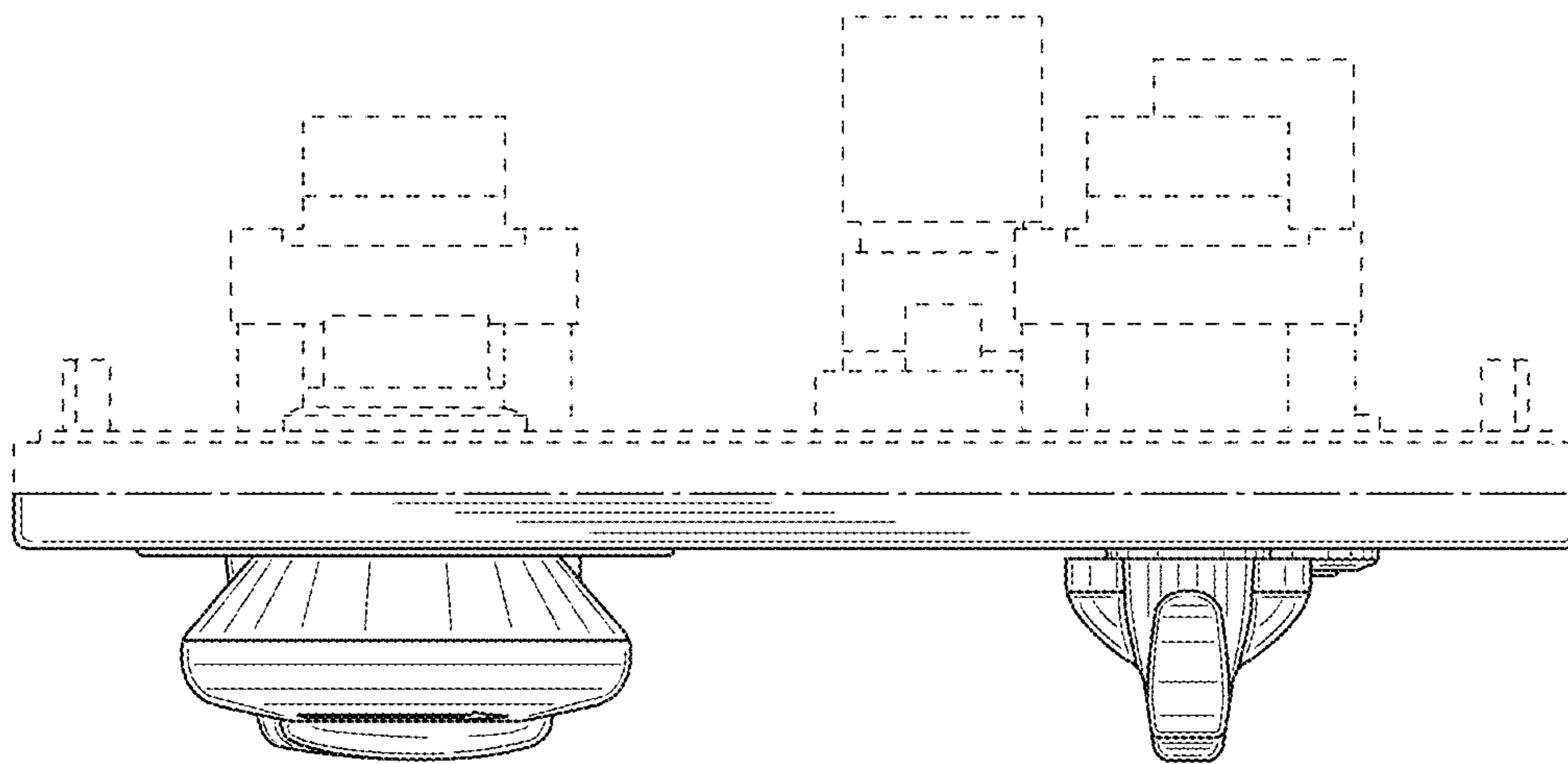


FIG. 5

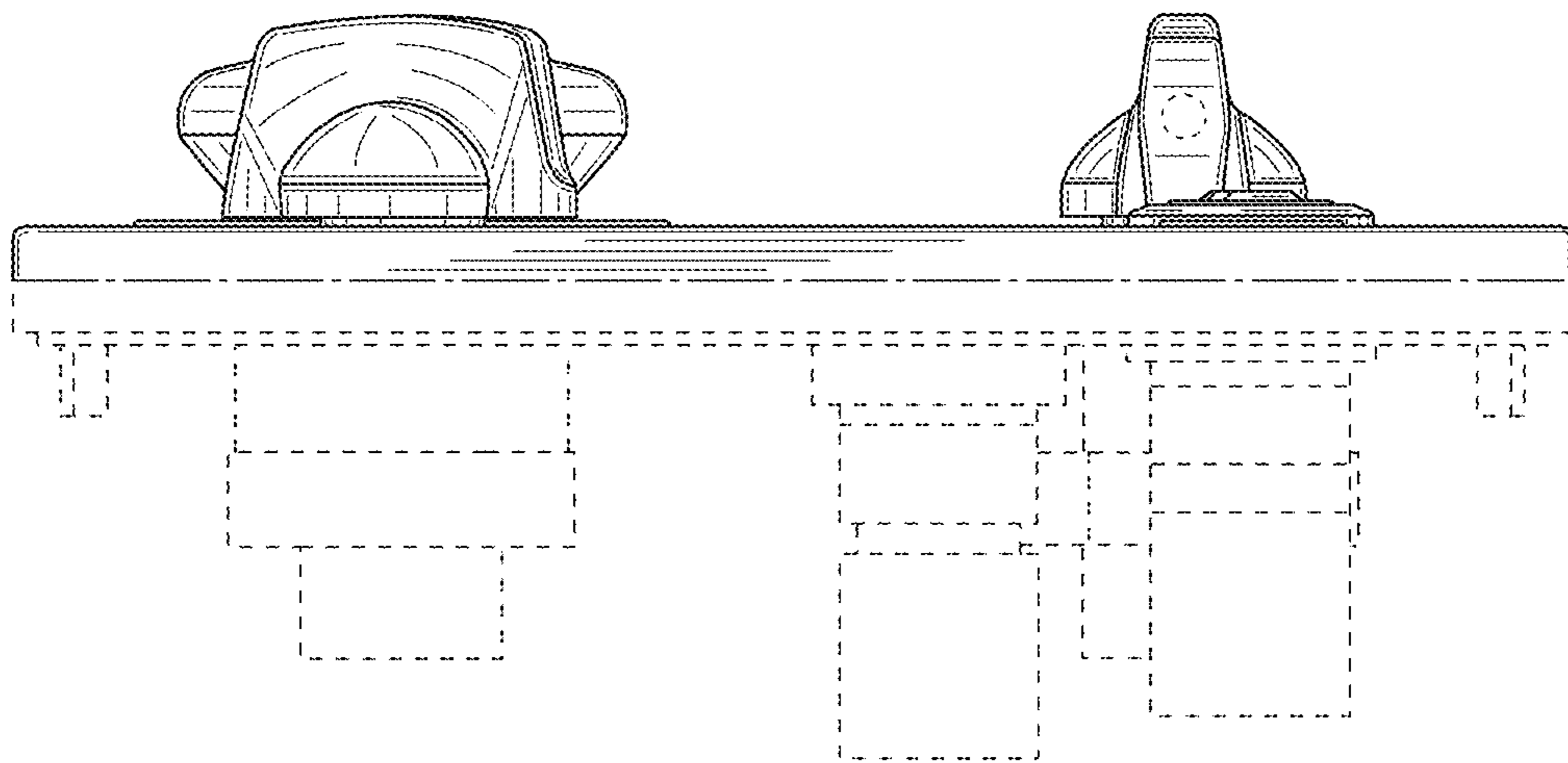


FIG. 6

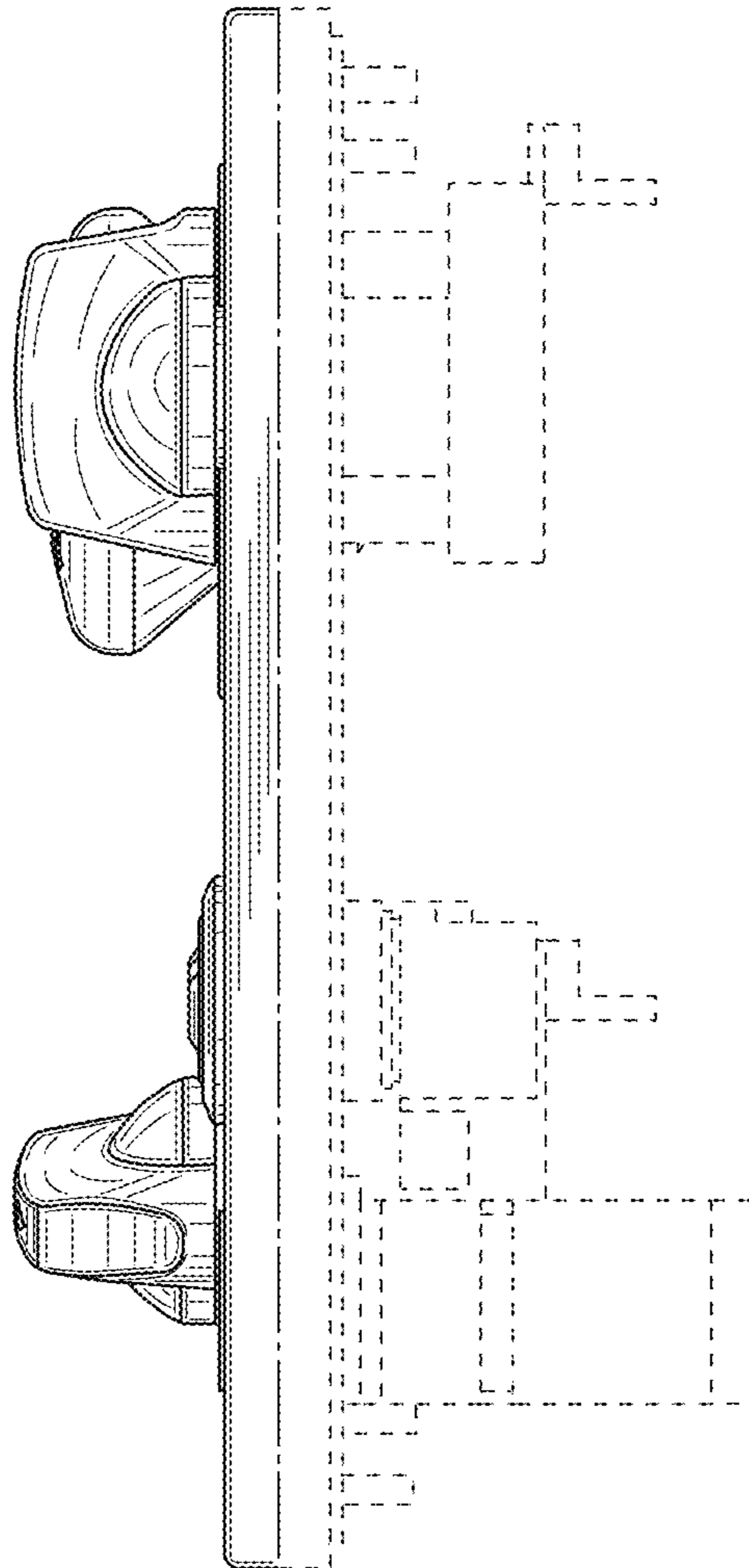


FIG. 7

