



US00D820219S

(12) **United States Design Patent**  
**Herriford**

(10) **Patent No.:** **US D820,219 S**  
(45) **Date of Patent:** **\*\* Jun. 12, 2018**

(54) **ELECTRICAL CORD PLUG RETENTION DEVICE**

D646,556 S \* 10/2011 Kelleghan ..... D8/356  
D698,232 S \* 1/2014 Weinberg ..... D8/356  
D715,743 S \* 10/2014 Pittman ..... D13/137.2  
D767,975 S \* 10/2016 Jiang ..... D3/207

(71) Applicant: **Dane Herriford**, Sebring, FL (US)

\* cited by examiner

(72) Inventor: **Dane Herriford**, Sebring, FL (US)

*Primary Examiner* — Daniel Bui

(\*\*) Term: **15 Years**

(74) *Attorney, Agent, or Firm* — RG Patent Consulting, LLC; Rachel Gilboy

(21) Appl. No.: **29/561,506**

(22) Filed: **Apr. 15, 2016**

(51) **LOC (11) Cl.** ..... **13-03**

(52) **U.S. Cl.**

USPC ..... **D13/155**

(58) **Field of Classification Search**

USPC ..... D13/123, 133, 146, 147, 148, 149, 154,  
D13/155, 156, 184, 199; D8/44, 354,  
D8/356, 357

CPC ..... B65H 23/00; B65H 26/00; B65H 27/00;  
B65H 43/00; B65H 57/00; B65H 57/003;  
B65H 57/006; B65H 57/22; B65H 57/26;  
B65H 59/00; B65H 75/00; H02G 1/08;  
H02G 1/085; H02G 3/28; H02G 3/30;  
H02G 15/007

See application file for complete search history.

(56) **References Cited**

**U.S. PATENT DOCUMENTS**

D584,132 S \* 1/2009 Judd ..... D8/356  
D607,712 S \* 1/2010 Kelleghan ..... D8/356

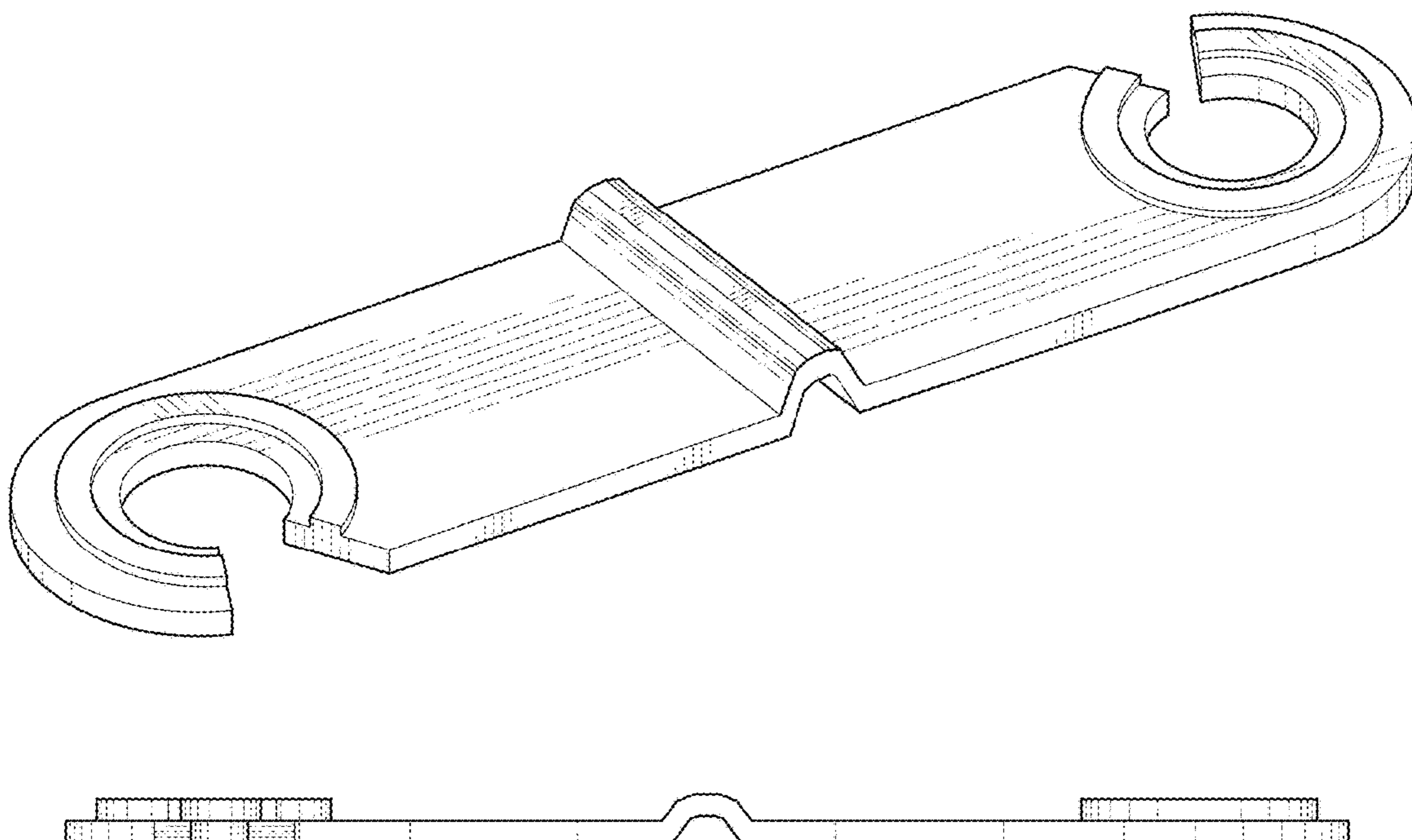
(57) **CLAIM**

The ornamental design for an electrical cord plug retention device, as shown and described.

**DESCRIPTION**

FIG. 1 is a perspective view of an electrical cord plug retention device showing my new design; FIG. 2 is a top plan view thereof; FIG. 3 is a bottom plan view thereof; FIG. 4 is a front elevation view thereof; FIG. 5 is a rear elevation view thereof; FIG. 6 is a left elevation view thereof; and, FIG. 7 is a right elevation view thereof.

**1 Claim, 4 Drawing Sheets**



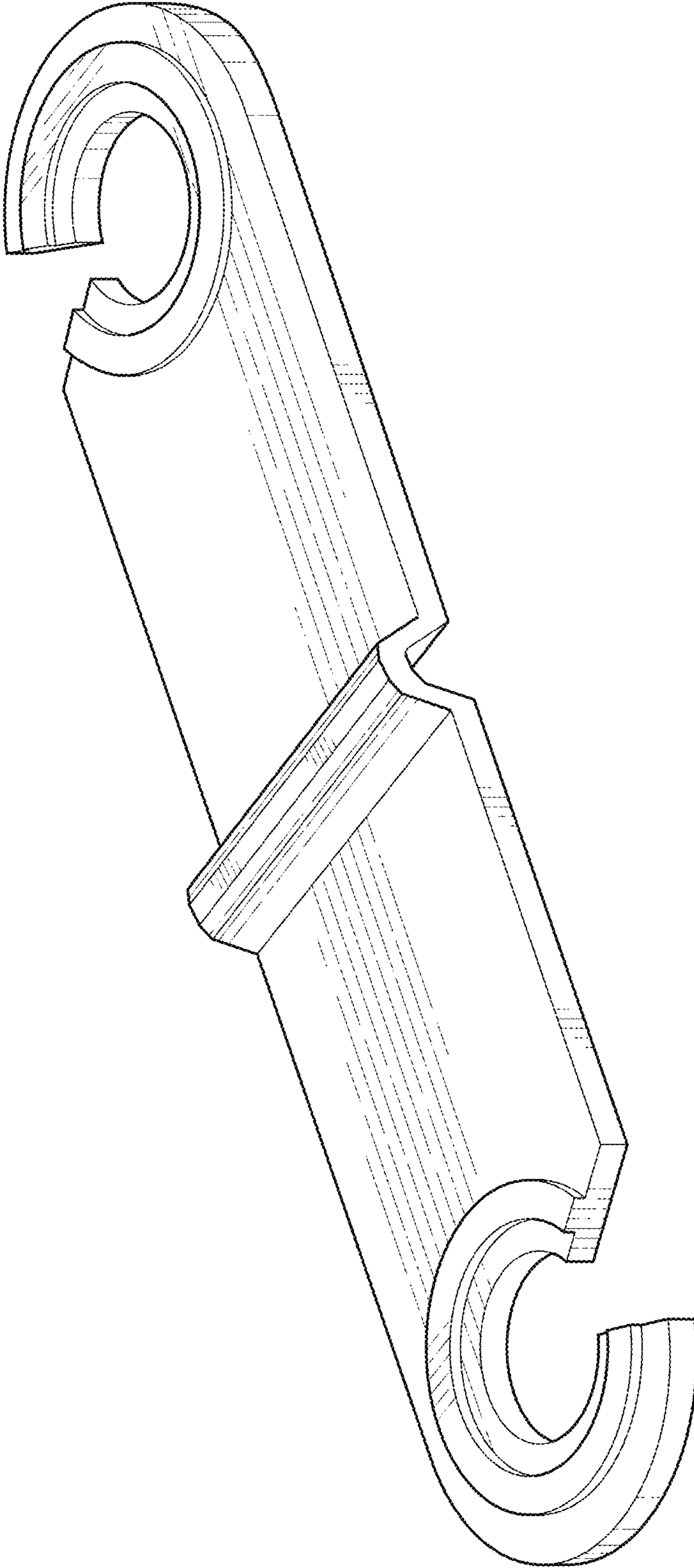


FIG. 1

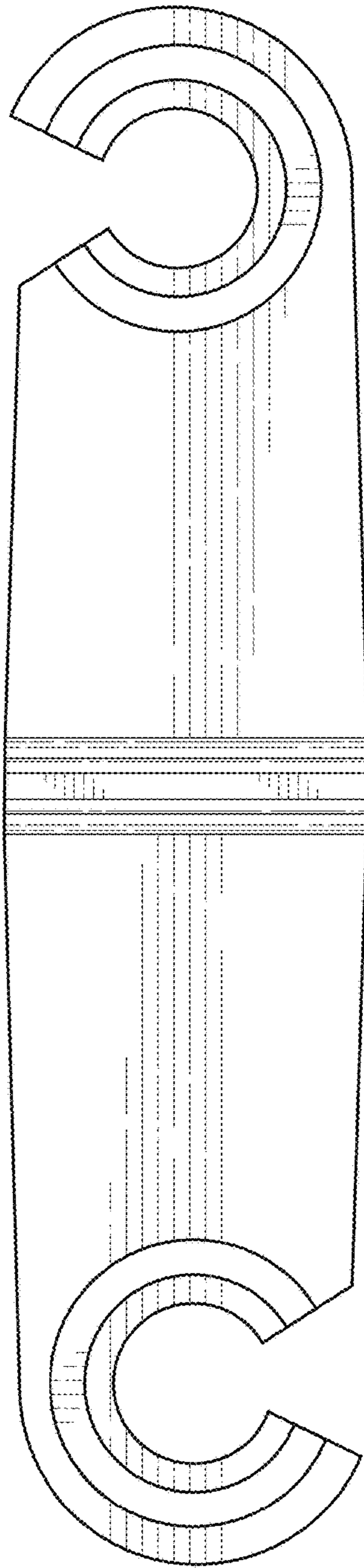


FIG. 2

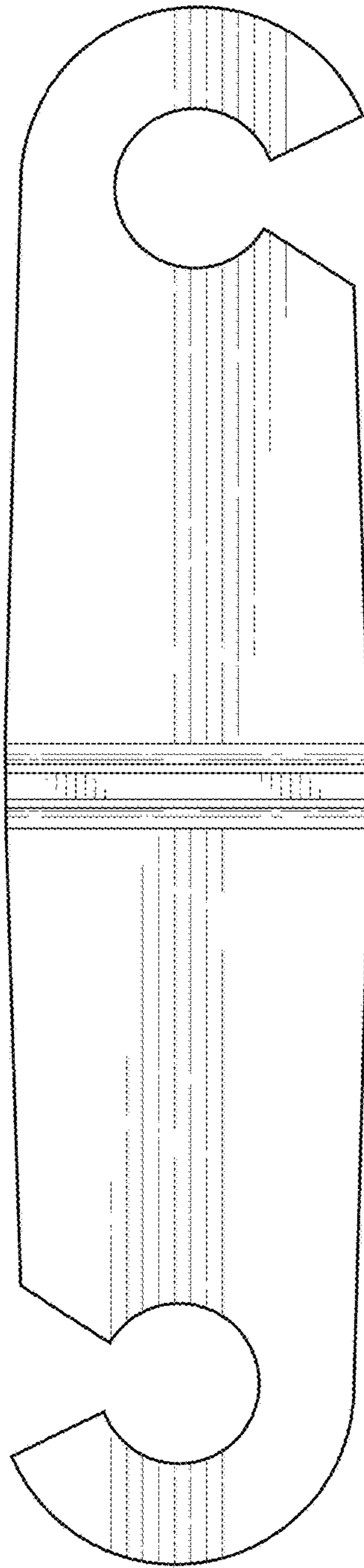


FIG. 3



FIG. 4



FIG. 5

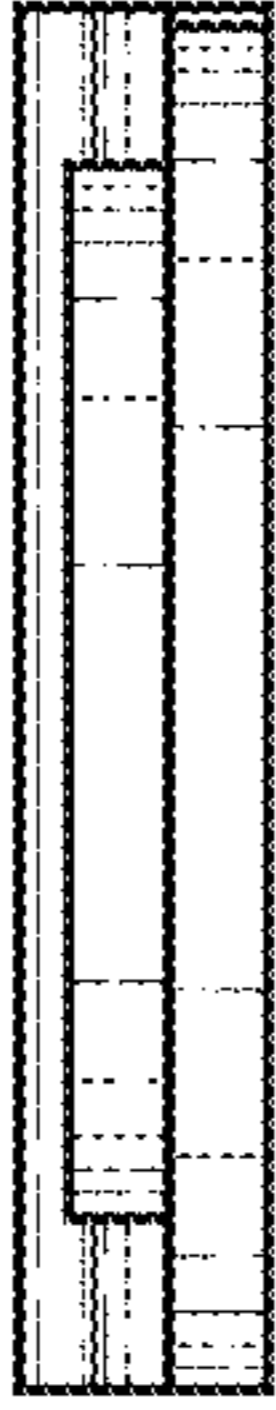


FIG. 6

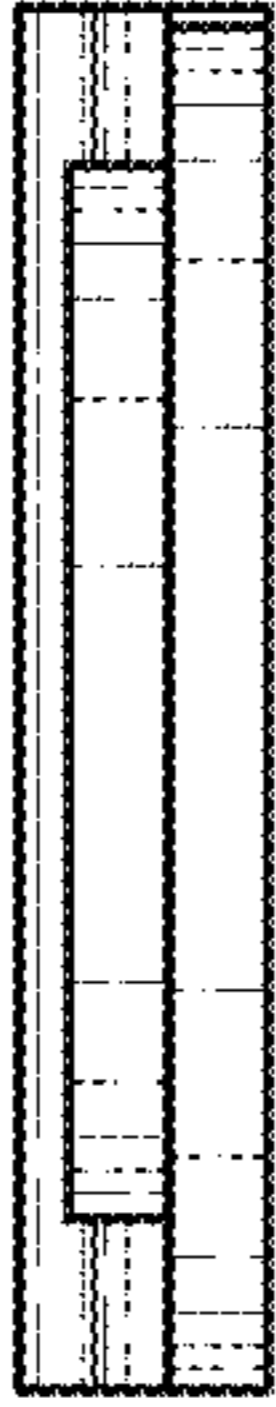


FIG. 7