



US00D820218S

(12) **United States Design Patent**  
**Cuellar et al.**

(10) **Patent No.:** **US D820,218 S**  
(45) **Date of Patent:** **\*\* Jun. 12, 2018**

(54) **CONNECTOR HOUSING**

(71) Applicant: **Molex, LLC**, Lisle, IL (US)

(72) Inventors: **Edmundo Delmotte Cuellar**,  
Tlajomulco de Zuñiga (MX); **Josue**  
**Alejandro Velasquez Sahagun**,  
Zapopan (MX)

(73) Assignee: **Molex, LLC**, Lisle, IL (US)

(\*\*) Term: **15 Years**

(21) Appl. No.: **29/588,386**

(22) Filed: **Dec. 20, 2016**

(51) **LOC (11) Cl.** ..... **13-03**

(52) **U.S. Cl.**  
USPC ..... **D13/152**

(58) **Field of Classification Search**  
USPC ..... D13/110, 112, 118–123, 133, 146, 147,  
D13/149, 152, 156, 154, 173, 184, 199  
CPC . H01H 9/02; H01R 4/66; H01R 11/30; H01R  
12/00; H01R 13/42; H01R 13/49; H01R  
13/518; H01R 13/60; H01R 13/62; H01R  
13/64; H01R 13/65; H01R 25/00; H01R  
29/00; H02G 3/08; H02G 3/12; H02G  
3/14; H02G 3/18

See application file for complete search history.

(56) **References Cited**

**U.S. PATENT DOCUMENTS**

D261,135 S	10/1981	Home	
D290,249 S *	6/1987	Knickerbocker	D13/147
D329,422 S	9/1992	Fujiyoshi	
D364,384 S *	11/1995	Shimizu	D13/146
D379,453 S	5/1997	Fabrizi	
D381,958 S	8/1997	Chen	
5,934,935 A	8/1999	Kameyama	
D414,745 S	10/1999	Schmitt	
D466,085 S	11/2002	Heggem	

D495,301 S	8/2004	Newell	
D596,573 S *	7/2009	Lai	D13/147
D597,960 S	8/2009	Dinh et al.	
7,579,549 B2	8/2009	Jolly	
8,067,703 B1	11/2011	Gretz	
D671,898 S *	12/2012	Andre	D13/147
8,445,780 B1	5/2013	Robins	
D692,836 S	11/2013	Thomas et al.	
8,586,864 B1	11/2013	Shotey et al.	
8,772,649 B1	7/2014	Gretz	
D735,670 S *	8/2015	DeCosta	D13/146
9,247,657 B2	1/2016	Row et al.	
9,252,610 B2	2/2016	Chen et al.	
9,640,962 B2	5/2017	Hernandez Ramirez et al.	
9,711,911 B2	7/2017	Regnier et al.	

(Continued)

*Primary Examiner* — Cathron C Brooks

*Assistant Examiner* — Shawn T Gingrich

(74) *Attorney, Agent, or Firm* — Banner & Witcoff, Ltd.

(57) **CLAIM**

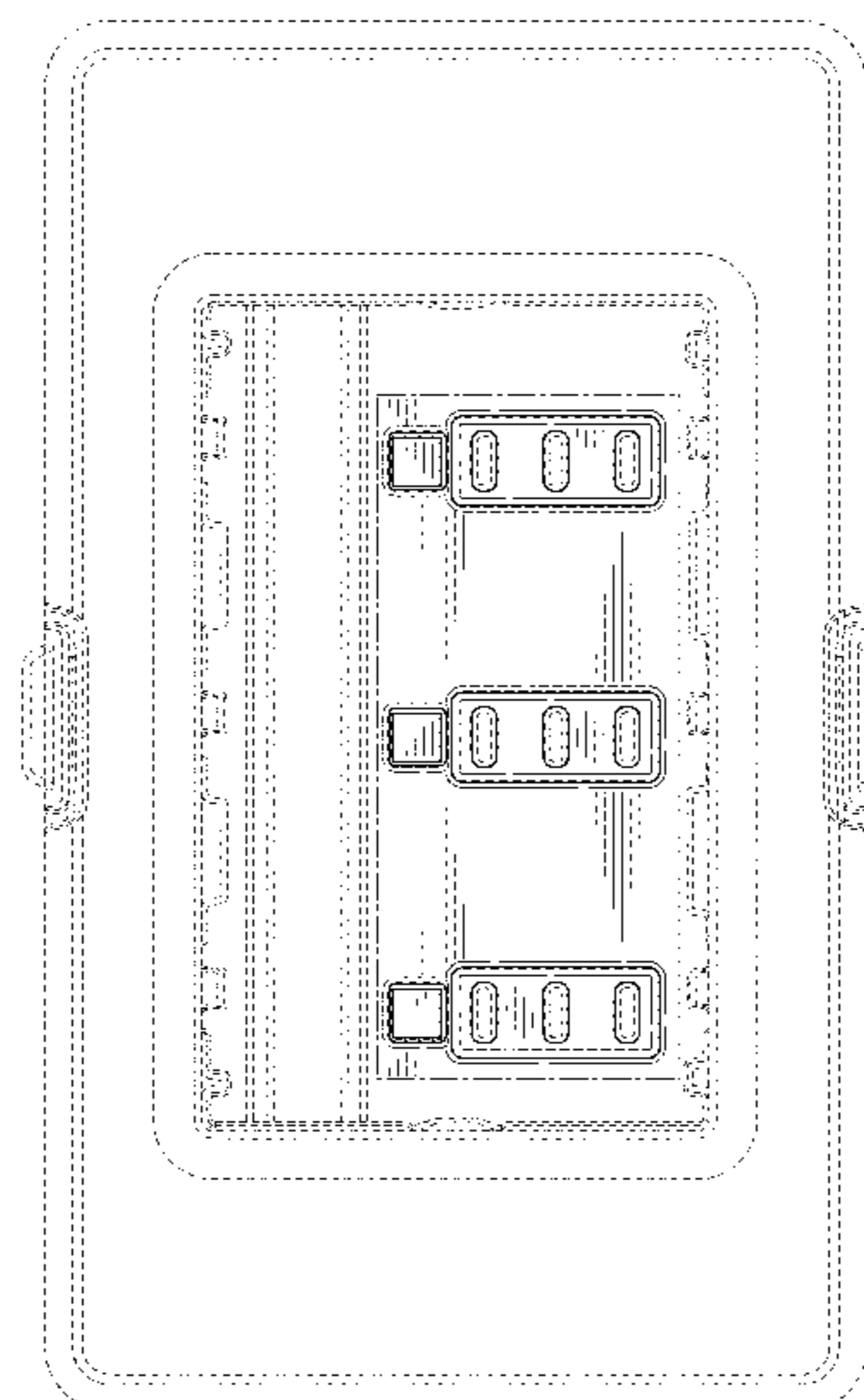
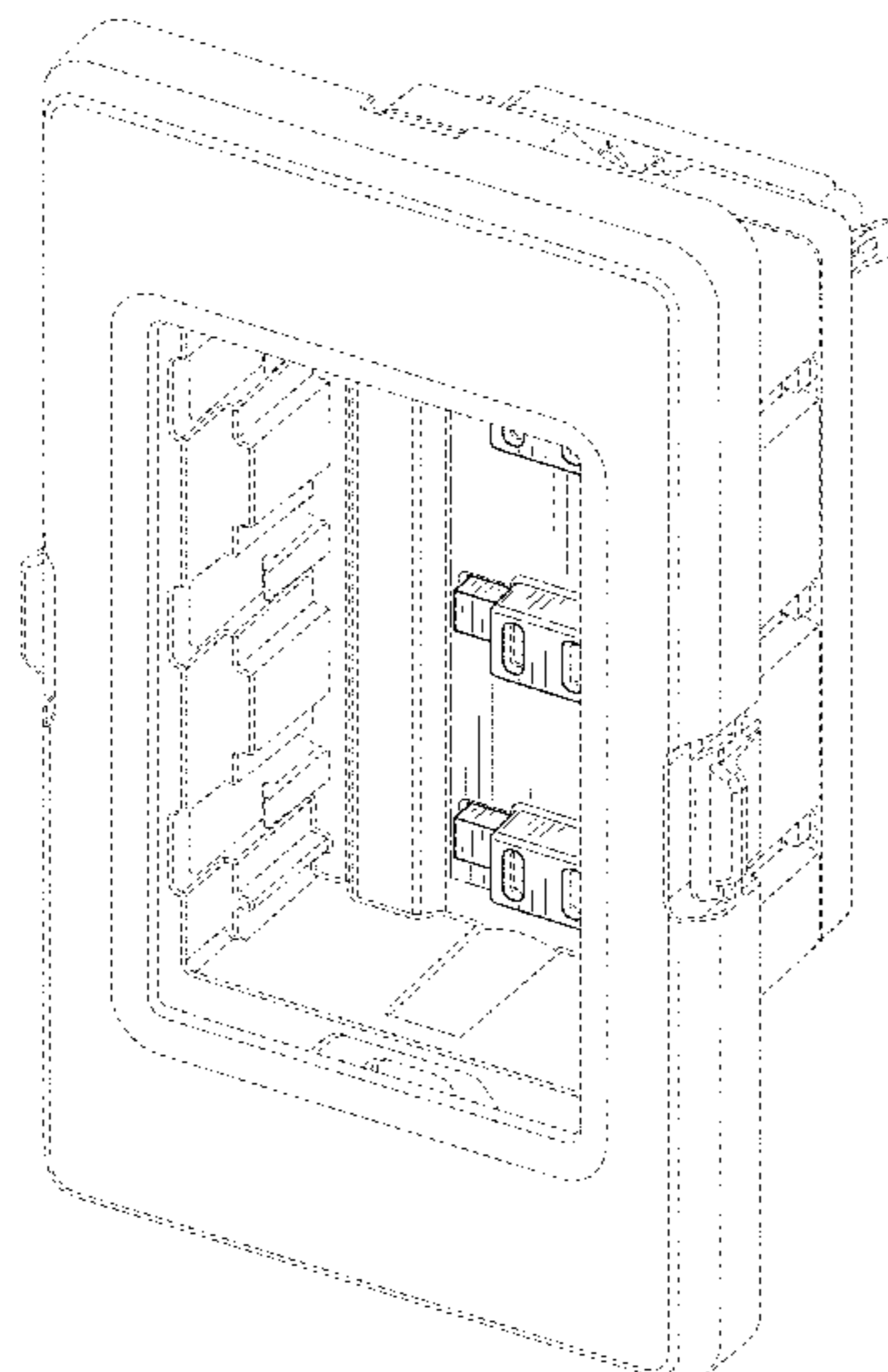
The ornamental design for a connector housing, as shown and described.

**DESCRIPTION**

FIG. 1 is a top right perspective view of connector housing showing our new design;  
FIG. 2 is a top left perspective view thereof;  
FIG. 3 is a bottom left perspective view thereof;  
FIG. 4 is a front view thereof;  
FIG. 5 is a right side view thereof;  
FIG. 6 is a left side view thereof;  
FIG. 7 is a top view thereof; and,  
FIG. 8 is a bottom view thereof.

The uneven-length broken lines immediately adjacent to the shaded areas illustrate boundaries of the claimed design and form no part of the claimed design. The even-length broken line showing of the remainder of the connector housing illustrate portions of the connector housing that forms no part of the claimed design.

**1 Claim, 7 Drawing Sheets**



(56)

**References Cited**

U.S. PATENT DOCUMENTS

D795,195 S \* 8/2017 Morrison ..... D13/146  
9,793,648 B2 10/2017 Regnier et al.  
D804,422 S \* 12/2017 Sasaki ..... D13/147  
2004/0238197 A1 12/2004 Gates  
2009/0117783 A1\* 5/2009 Wu ..... H01R 13/2435  
439/660  
2009/0247006 A1 10/2009 Thompson  
2011/0067897 A1 3/2011 Peckham  
2013/0267116 A1 10/2013 Tin  
2015/0263447 A1 9/2015 Liao  
2016/0233605 A1\* 8/2016 Hernandez  
Ramirez ..... H02G 3/32

\* cited by examiner

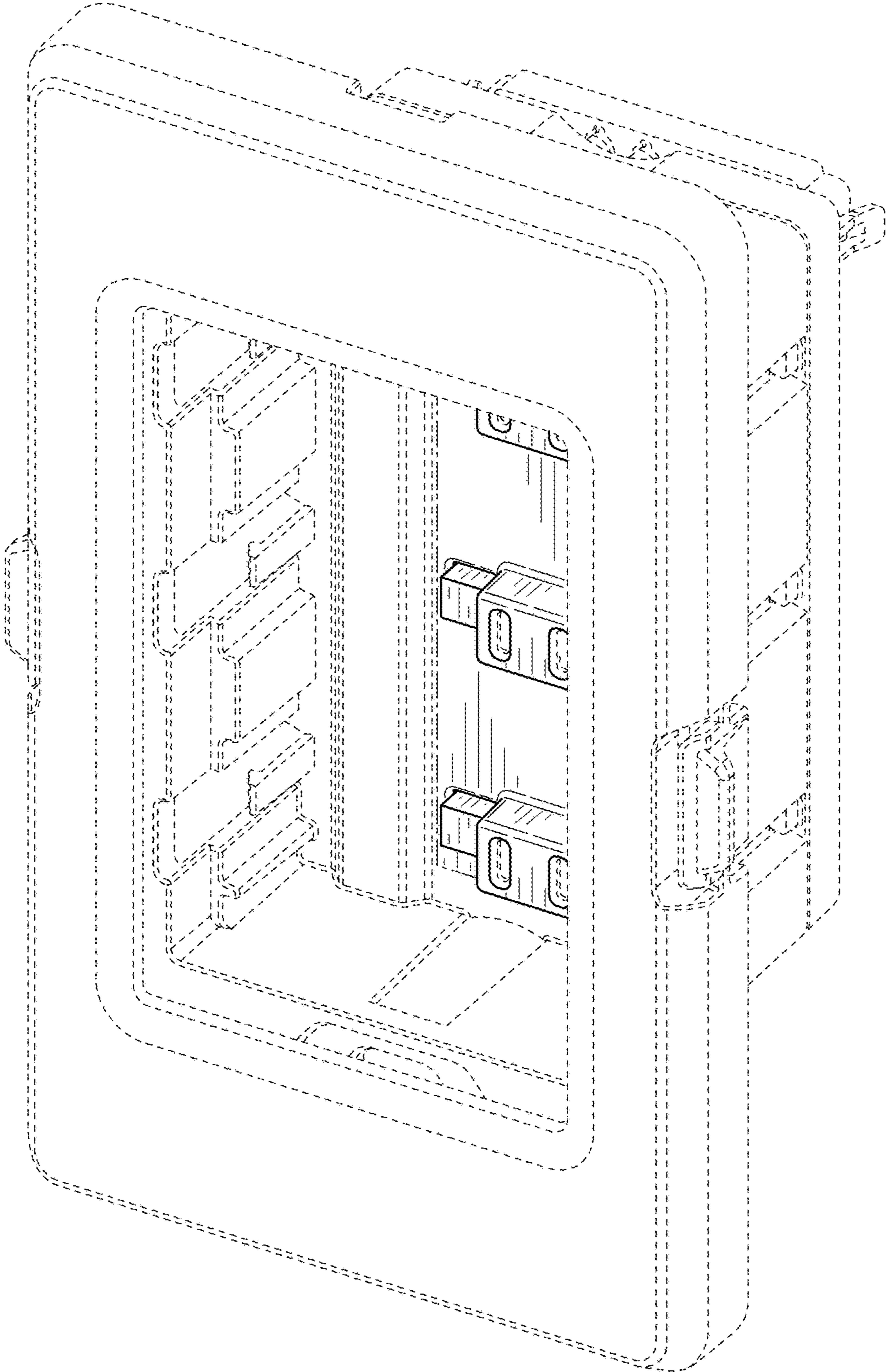


FIG. 1



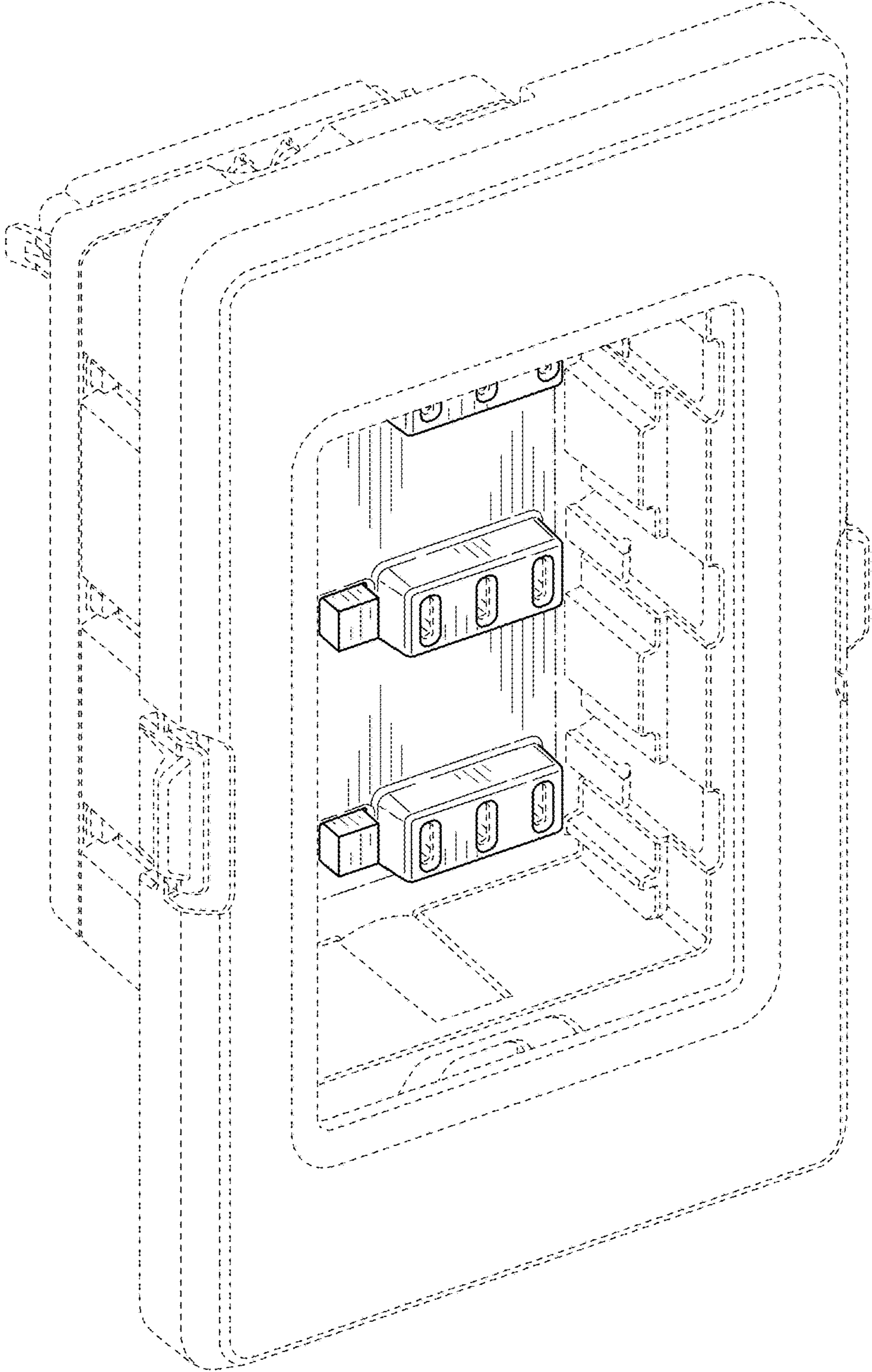


FIG. 2

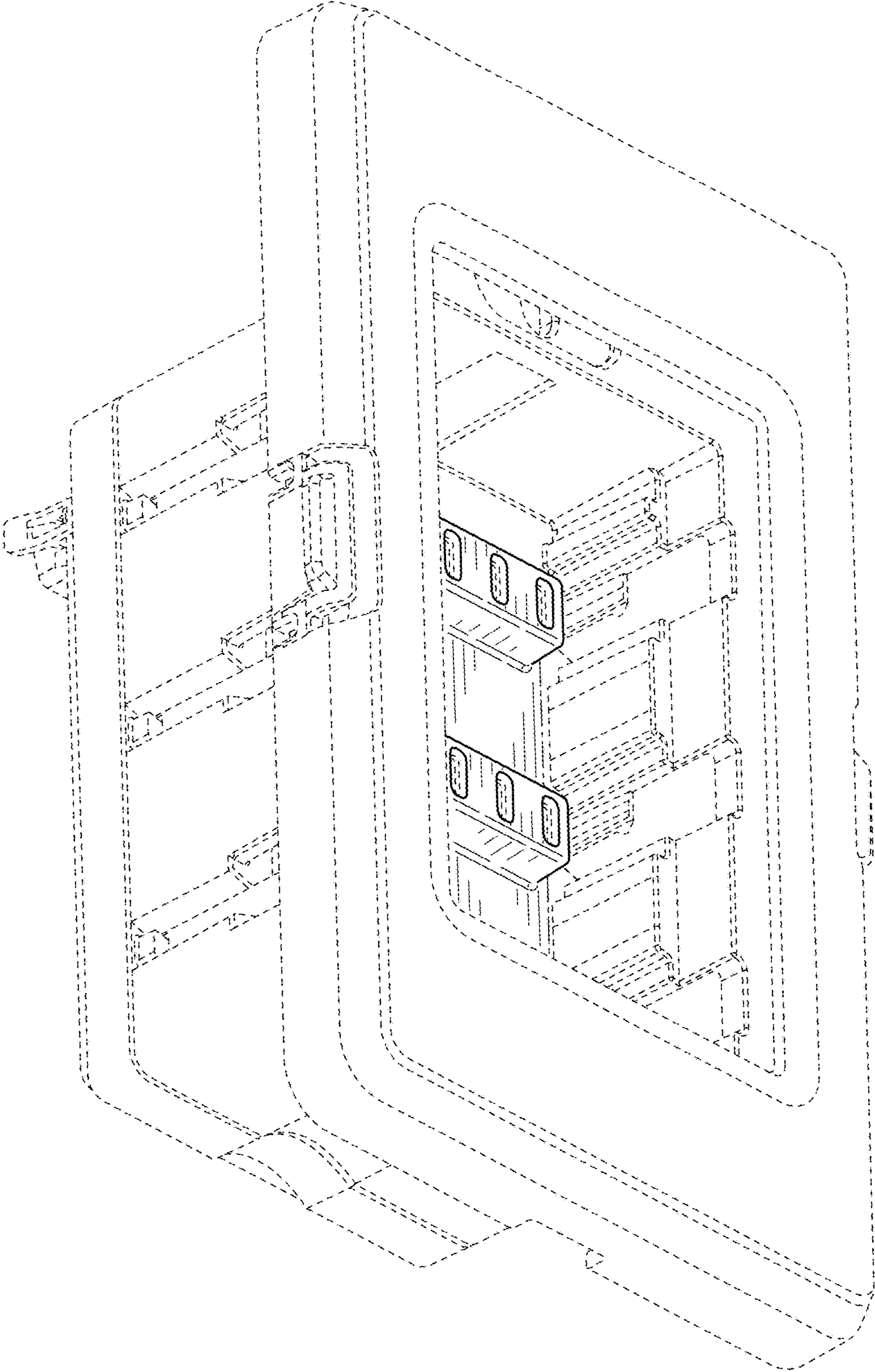


FIG. 3

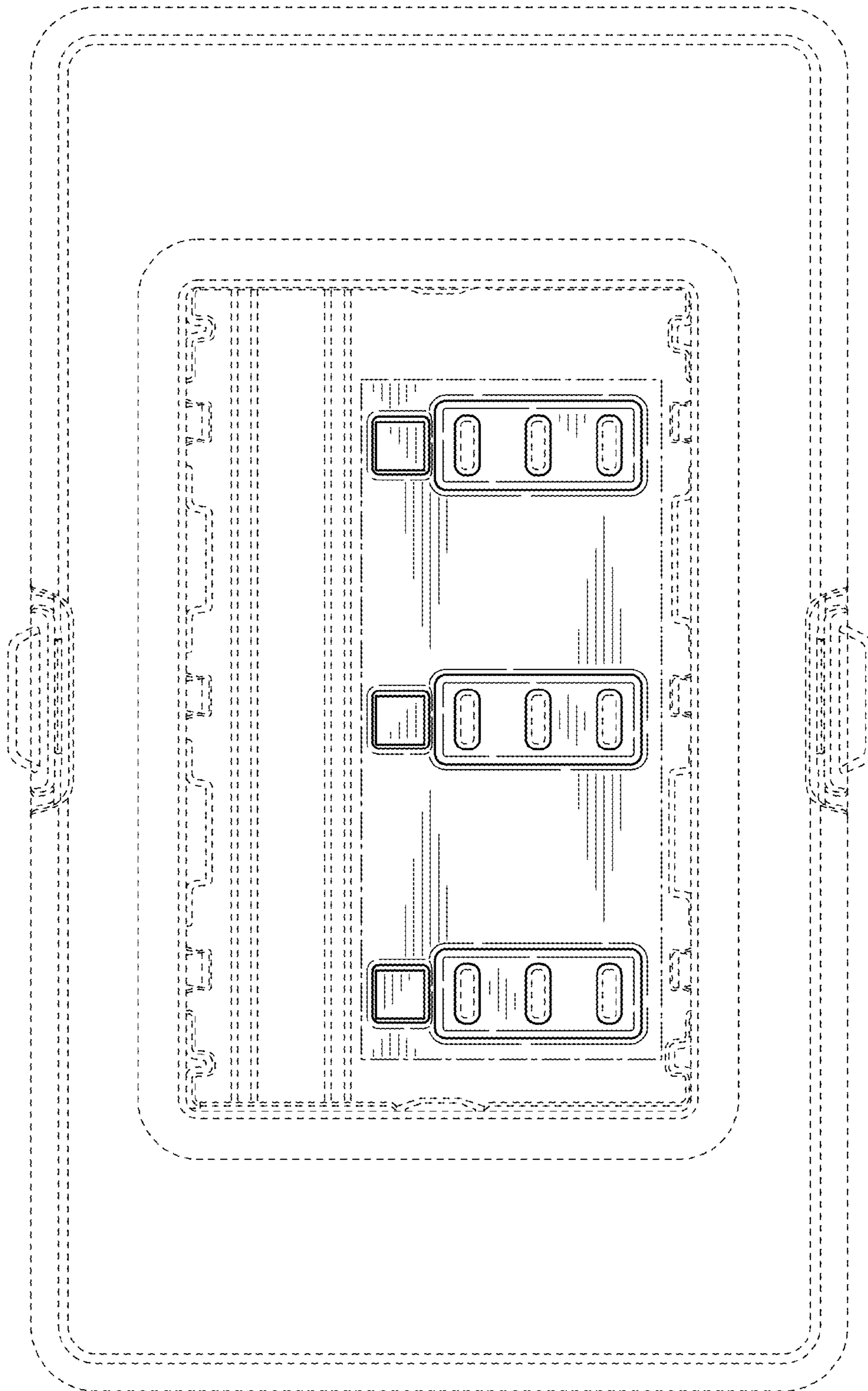


FIG. 4

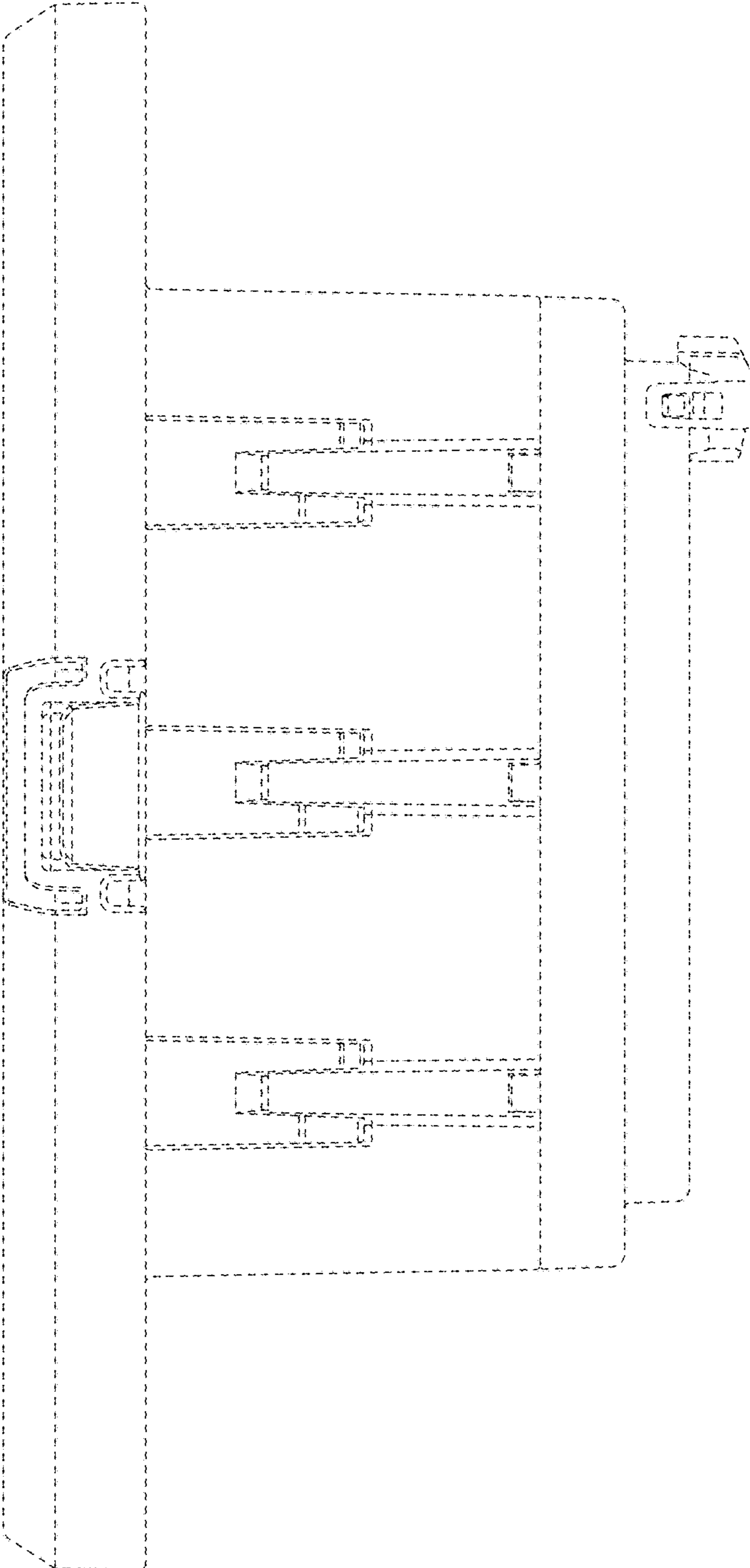


FIG. 5

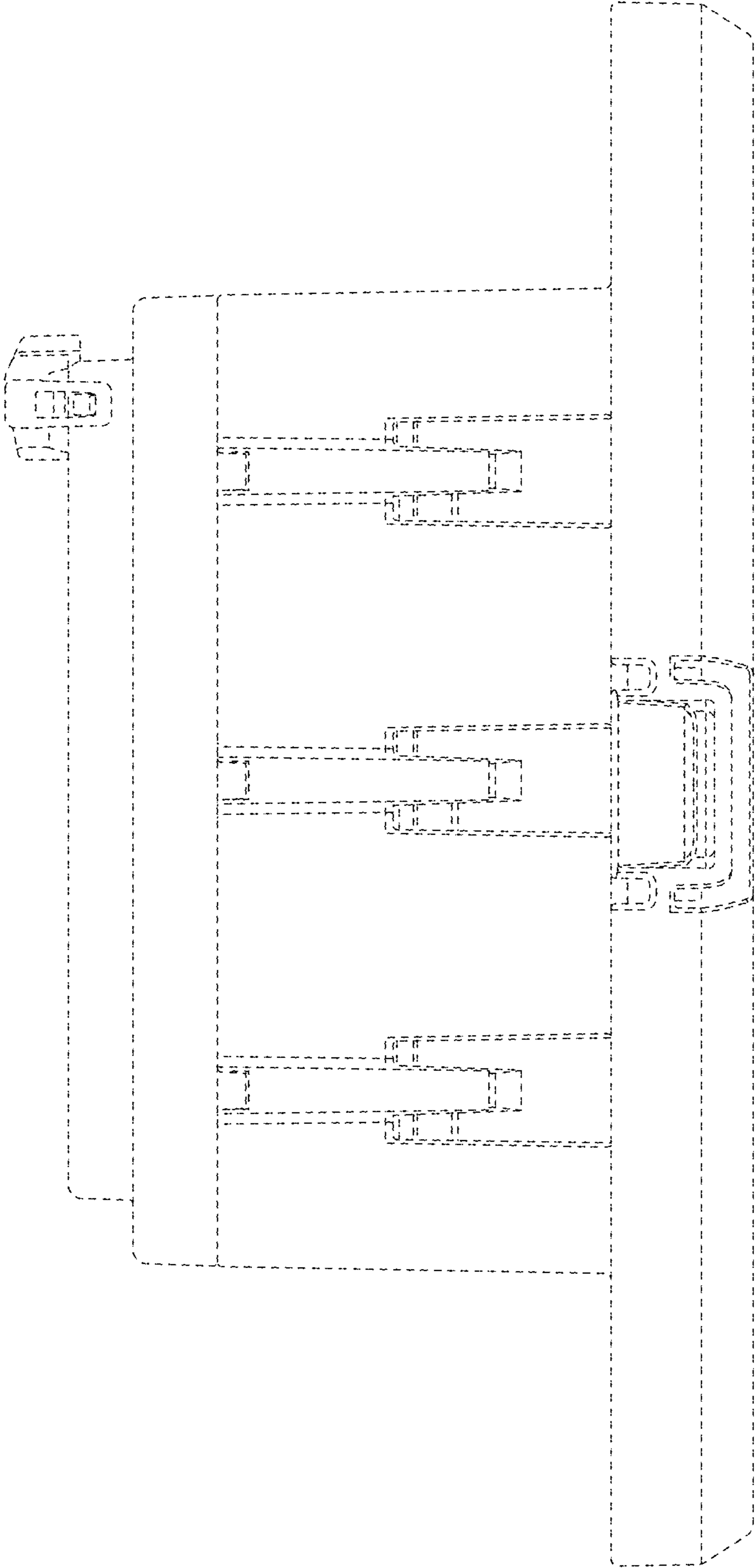


FIG. 6



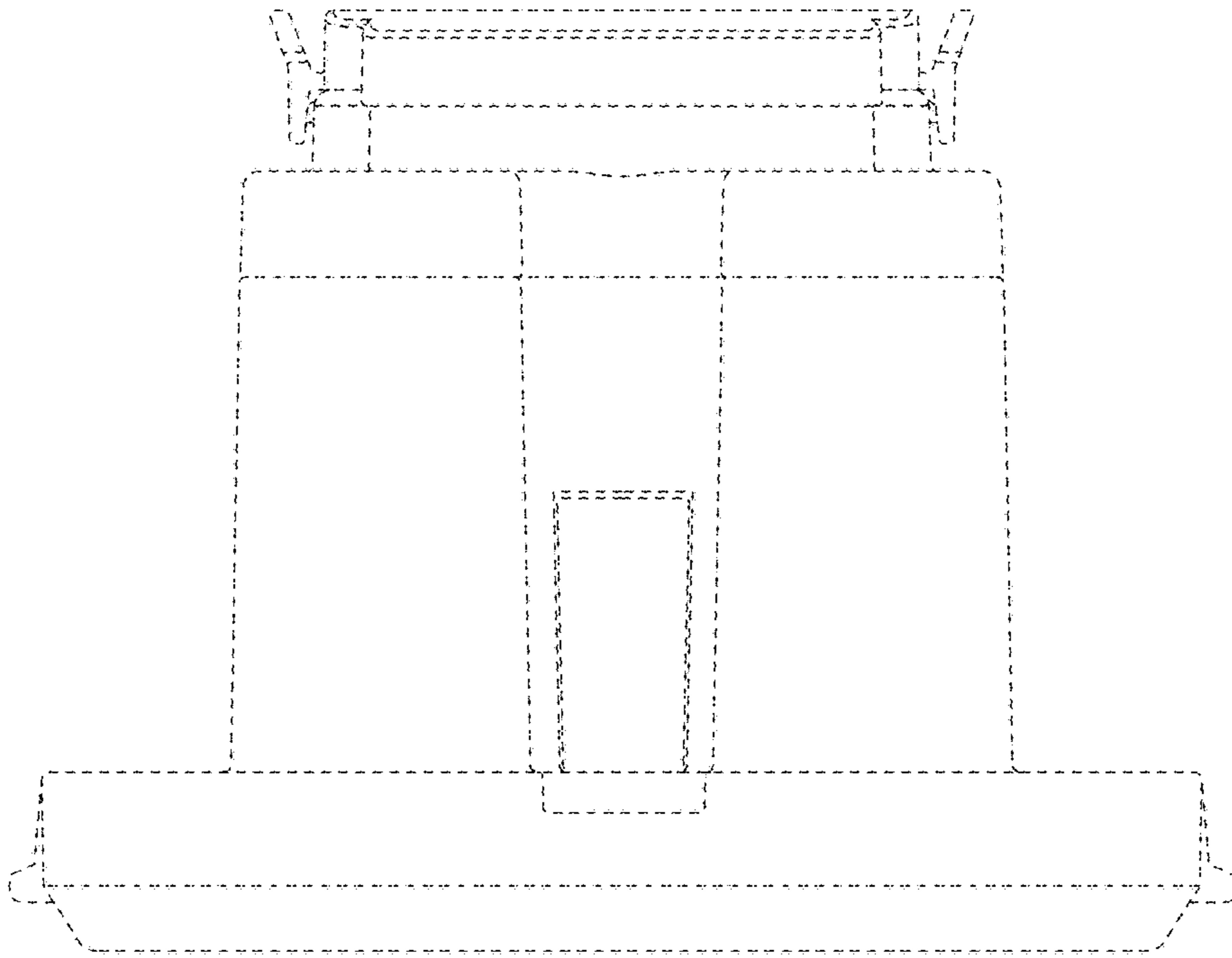


FIG. 7

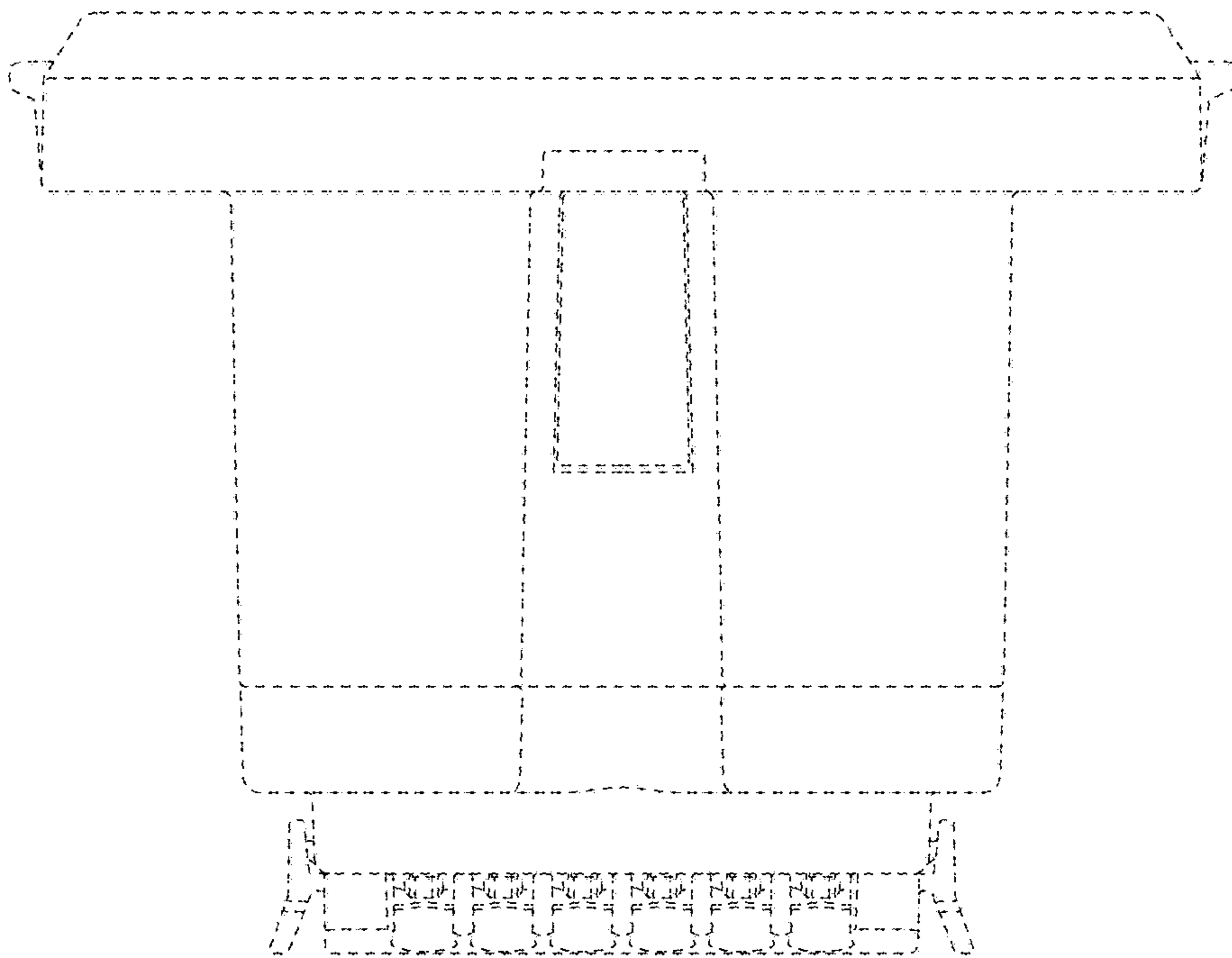


FIG. 8