



US00D820216S

(12) **United States Design Patent**  
**Wu et al.**

(10) **Patent No.:** **US D820,216 S**  
(45) **Date of Patent:** **\*\* Jun. 12, 2018**

(54) **CARD EDGE CONNECTOR**  
(71) Applicant: **FOXCONN INTERCONNECT TECHNOLOGY LIMITED**, Grand Cayman (KY)  
(72) Inventors: **Xun Wu**, Kunshan (CN); **Guo-Xiang Niu**, Kunshan (CN); **Xiao-Hu Yin**, Kunshan (CN)

D631,442 S \* 1/2011 Ngo ..... D13/147  
D640,637 S \* 6/2011 Ngo ..... D13/154  
D641,321 S \* 7/2011 Ngo ..... D13/147  
8,043,097 B2 10/2011 Ngo et al.  
D651,981 S \* 1/2012 Ngo ..... D13/147  
8,092,235 B2 1/2012 Frantum, Jr. et al.  
D661,655 S \* 6/2012 Ngo ..... D13/147  
D701,839 S \* 4/2014 Ngo ..... D13/147  
8,690,589 B2 4/2014 Ngo

(73) Assignee: **FOXCONN INTERCONNECT TECHNOLOGY LIMITED**, Grand Cayman (KY)

**FOREIGN PATENT DOCUMENTS**

TW M456611 7/2013

(\*\*) Term: **15 Years**

\* cited by examiner

*Primary Examiner* — Daniel Bui

(21) Appl. No.: **29/580,515**

(74) *Attorney, Agent, or Firm* — Wei Te Chung; Ming Chieh Chang

(22) Filed: **Oct. 11, 2016**

(30) **Foreign Application Priority Data**

Apr. 21, 2016 (CN) ..... 2016 3 0136072

(51) **LOC (11) Cl.** ..... **13-03**

(52) **U.S. Cl.**  
USPC ..... **D13/147**

(58) **Field of Classification Search**  
USPC ..... D13/133, 146, 147, 154, 184, 199  
CPC ..... H01R 12/16; H01R 12/70; H01R 12/72;  
H01R 12/73; H01R 13/46; H01R 13/62;  
H01R 13/627; H01R 13/629; H01R  
13/633; H01R 13/641; H01R 24/00;  
H01R 24/76; H05K 5/02; H05K 7/14  
See application file for complete search history.

(57) **CLAIM**

The ornamental design is for a card edge connector, as shown and described.

(56) **References Cited**

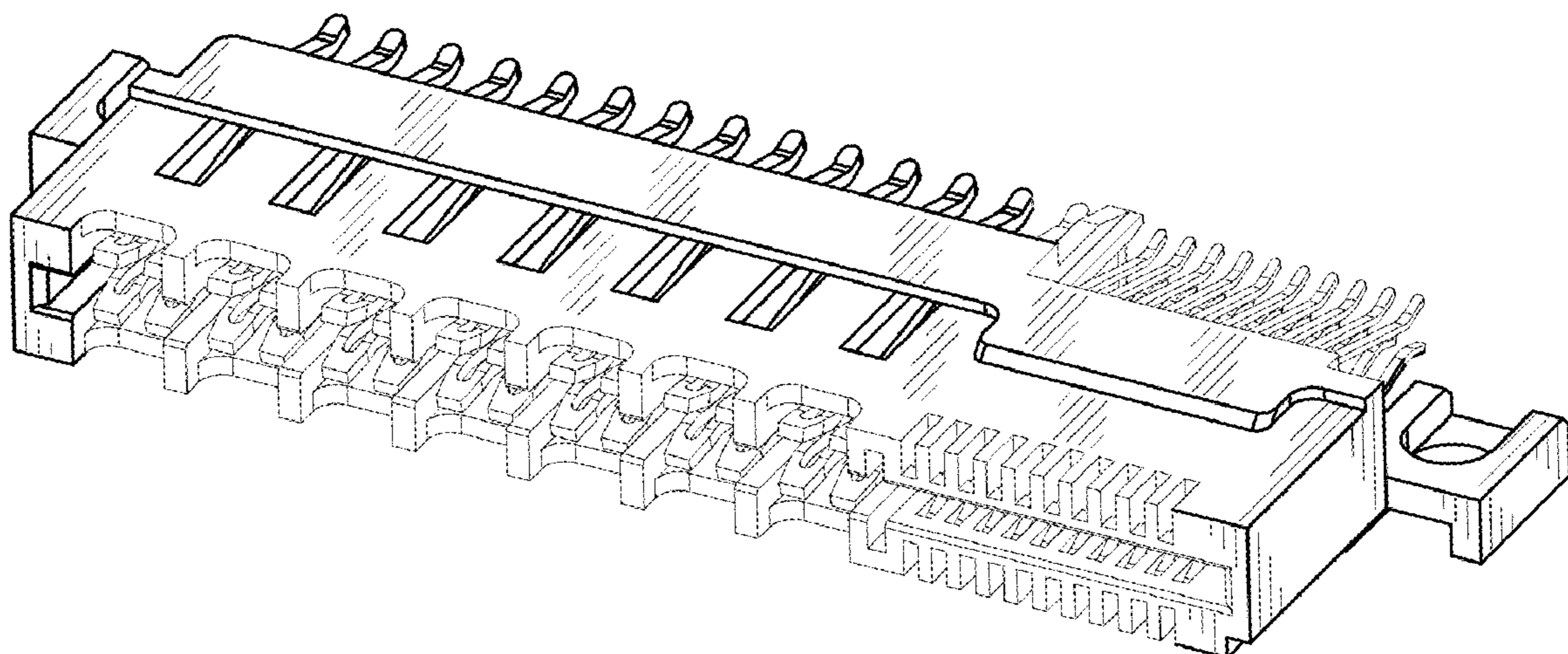
**U.S. PATENT DOCUMENTS**

D606,497 S \* 12/2009 Ngo ..... D13/147  
D630,586 S \* 1/2011 Ngo ..... D13/147

**DESCRIPTION**

FIG. 1 is a perspective view of a card edge connector showing our new design;  
FIG. 2 is a front elevational view thereof;  
FIG. 3 is a rear elevational view thereof;  
FIG. 4 is a left side elevational view thereof;  
FIG. 5 is a right side elevational view thereof;  
FIG. 6 is a top plan view thereof; and,  
FIG. 7 is a bottom plan view thereof.

**1 Claim, 7 Drawing Sheets**



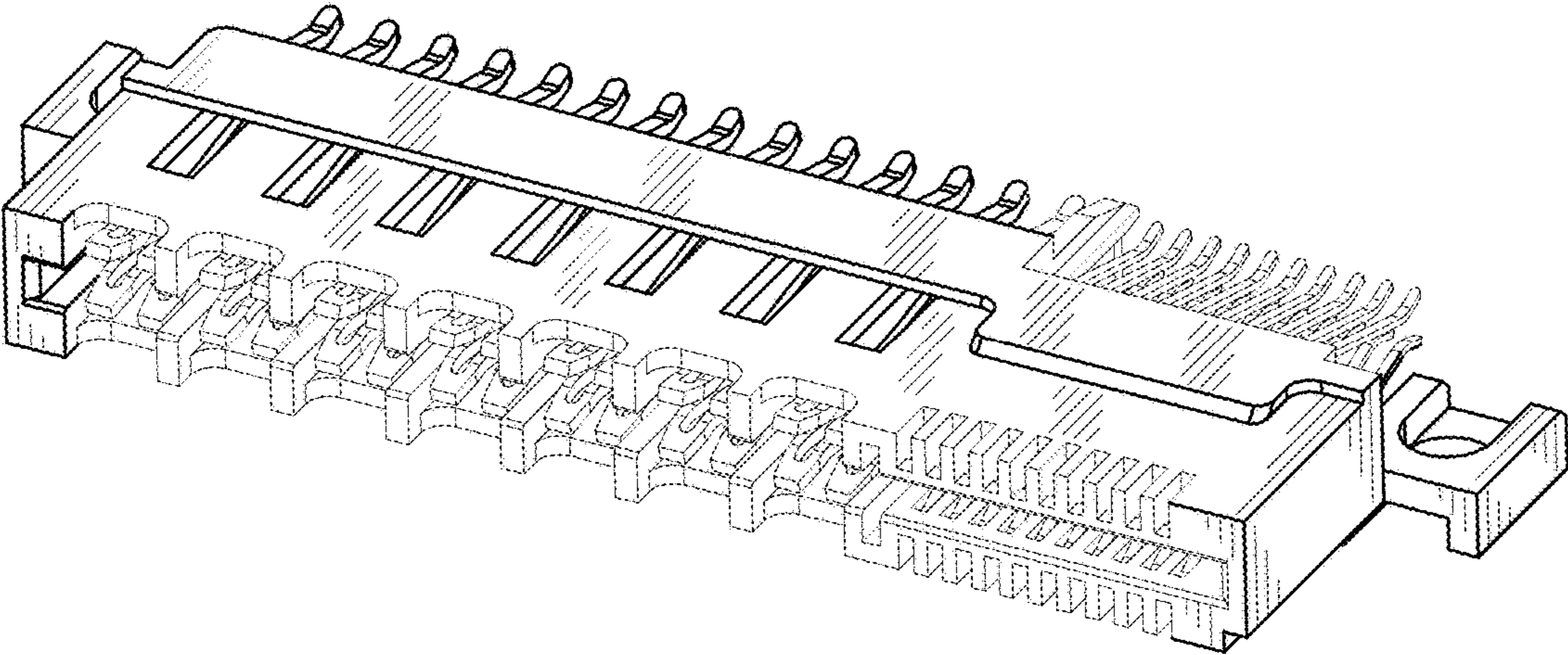


FIG. 1

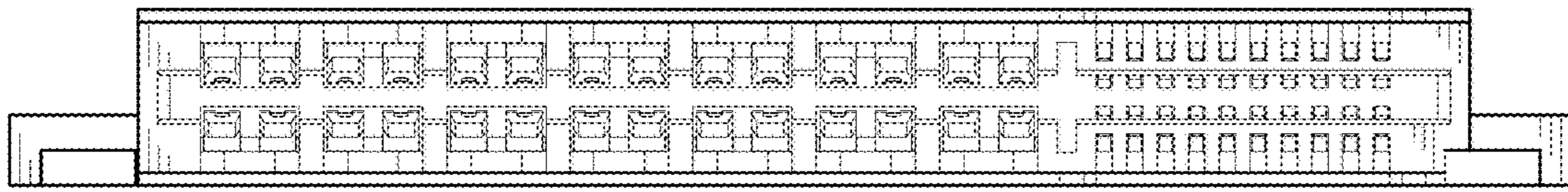


FIG. 2

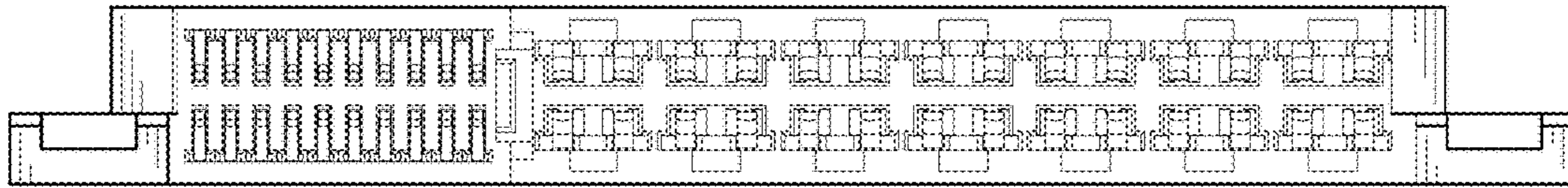


FIG. 3

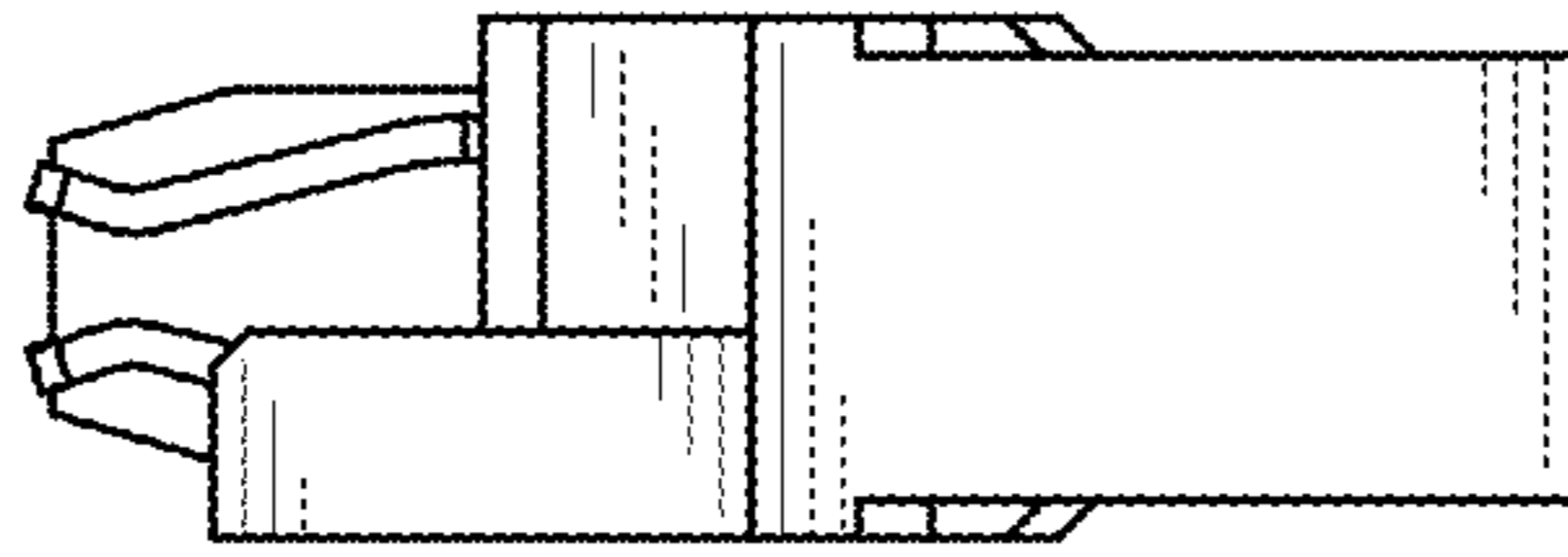


FIG. 4

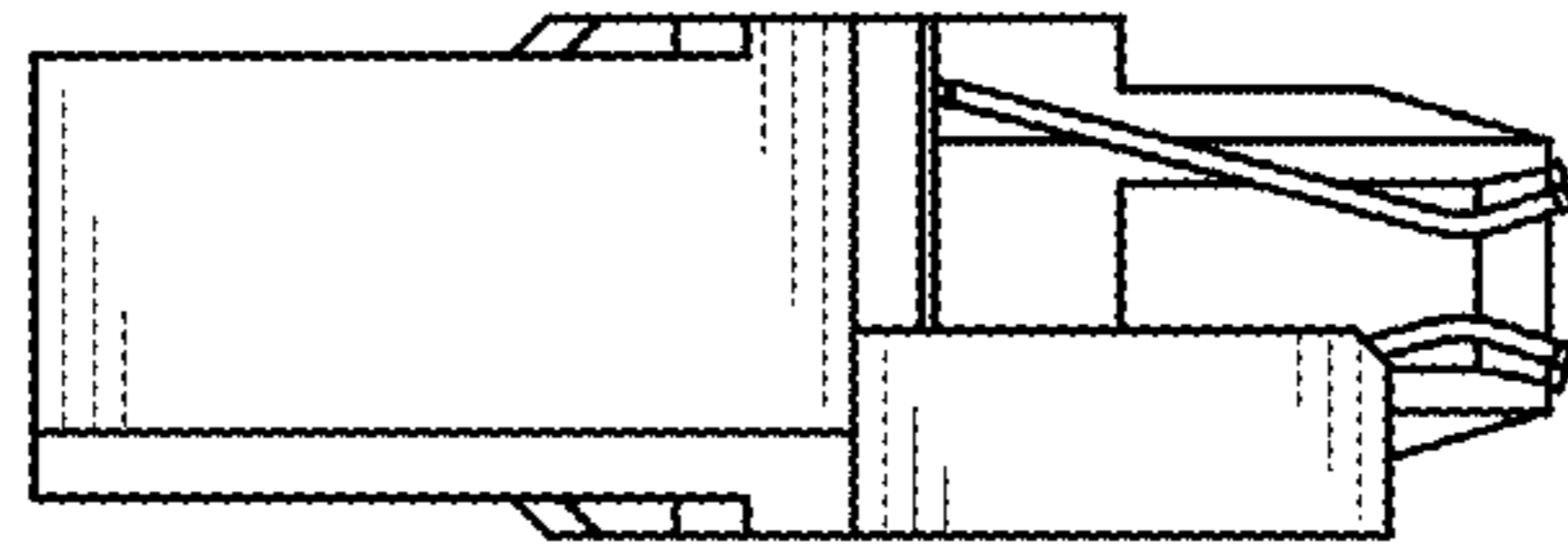


FIG. 5

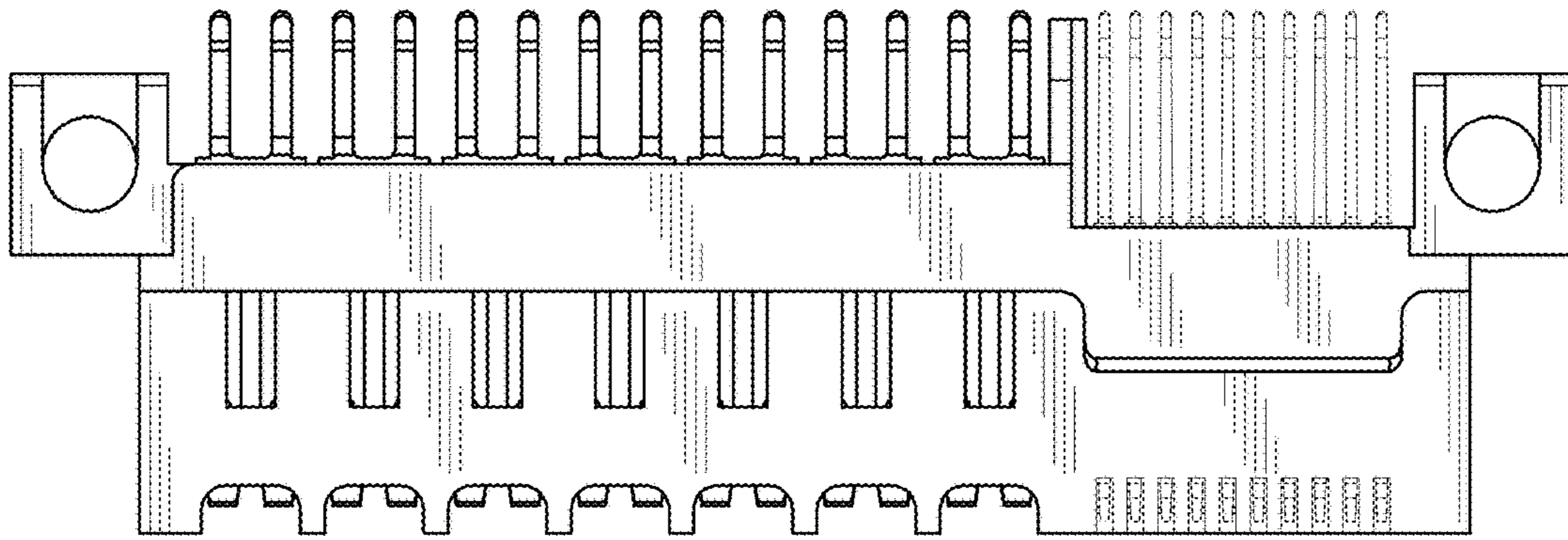


FIG. 6

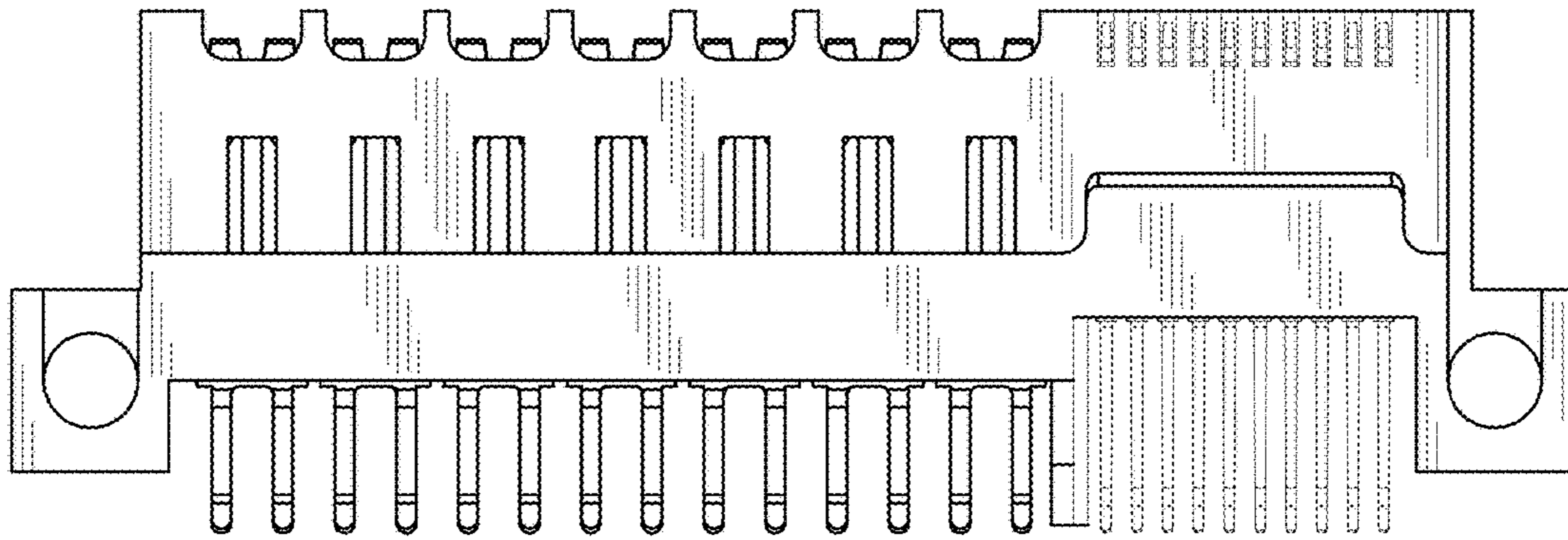


FIG. 7