



US00D820215S

(12) **United States Design Patent**
Kobayashi

(10) **Patent No.:** **US D820,215 S**
(45) **Date of Patent:** **** *Jun. 12, 2018**

(54) **ELECTRICAL CONNECTOR**

- (71) Applicant: **Hosiden Corporation**, Yao-shi, Osaka (JP)
- (72) Inventor: **Hideto Kobayashi**, Isesaki (JP)
- (73) Assignee: **HOSIDEN CORPORATION**, Yao-Shi (JP)
- (*) Notice: This patent is subject to a terminal disclaimer.
- (**) Term: **15 Years**
- (21) Appl. No.: **29/558,727**
- (22) Filed: **Mar. 21, 2016**

Related U.S. Application Data

- (62) Division of application No. 29/523,165, filed on Apr. 7, 2015, now Pat. No. Des. 759,599.

(30) **Foreign Application Priority Data**

- Nov. 25, 2014 (JP) 2014-026202
- (51) **LOC (11) Cl.** **13-03**
- (52) **U.S. Cl.**
USPC **D13/147**
- (58) **Field of Classification Search**
USPC D13/123, 133, 146, 147, 154, 184, 199
See application file for complete search history.

(56) **References Cited**

U.S. PATENT DOCUMENTS

D635,929	S	*	4/2011	Kawakami	D13/147
D672,314	S	*	12/2012	Miyoshi	D13/147
D675,163	S	*	1/2013	Nagata	D13/147
D690,269	S	*	9/2013	Sasaki	D13/147
D759,599	S	*	6/2016	Kobayashi	D13/147
2011/0294349	A1	*	12/2011	Kawakami	H01R 13/6593 439/607.55

* cited by examiner

Primary Examiner — Daniel Bui

(74) *Attorney, Agent, or Firm* — Rankin, Hill & Clark LLP

(57) **CLAIM**

The ornamental design for an electrical connector, as shown and described.

DESCRIPTION

FIG. 1 is a front, left side and top perspective view of an electrical connector in accordance with my new design; FIG. 2 is a rear, right side and top perspective view thereof; FIG. 3 is a front elevation view thereof, a rear elevation view being a mirror image thereof; FIG. 4 is a left side view thereof; FIG. 5 is a right side view thereof; FIG. 6 is a top plan view thereof; and, FIG. 7 is a bottom plan view thereof.

1 Claim, 3 Drawing Sheets

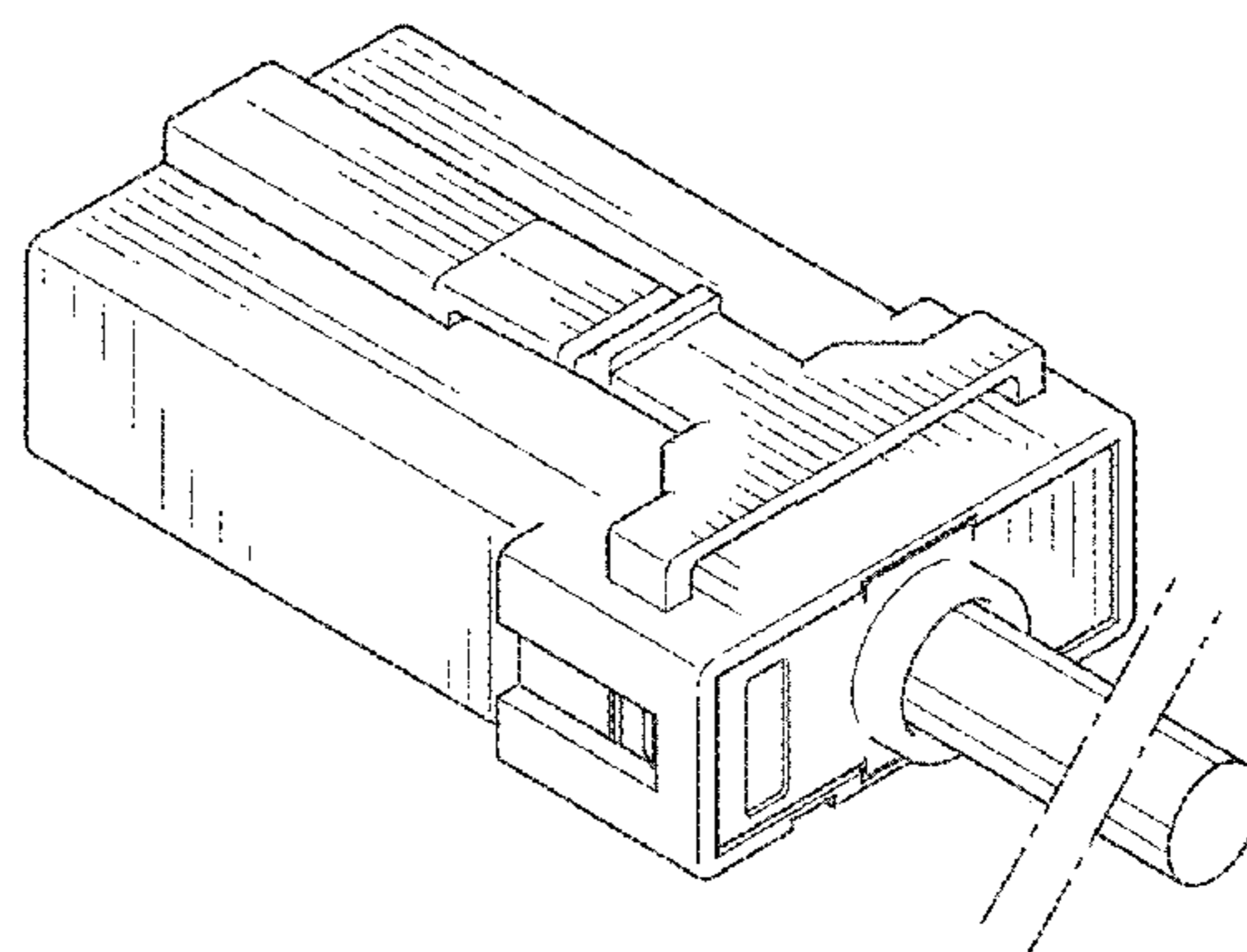
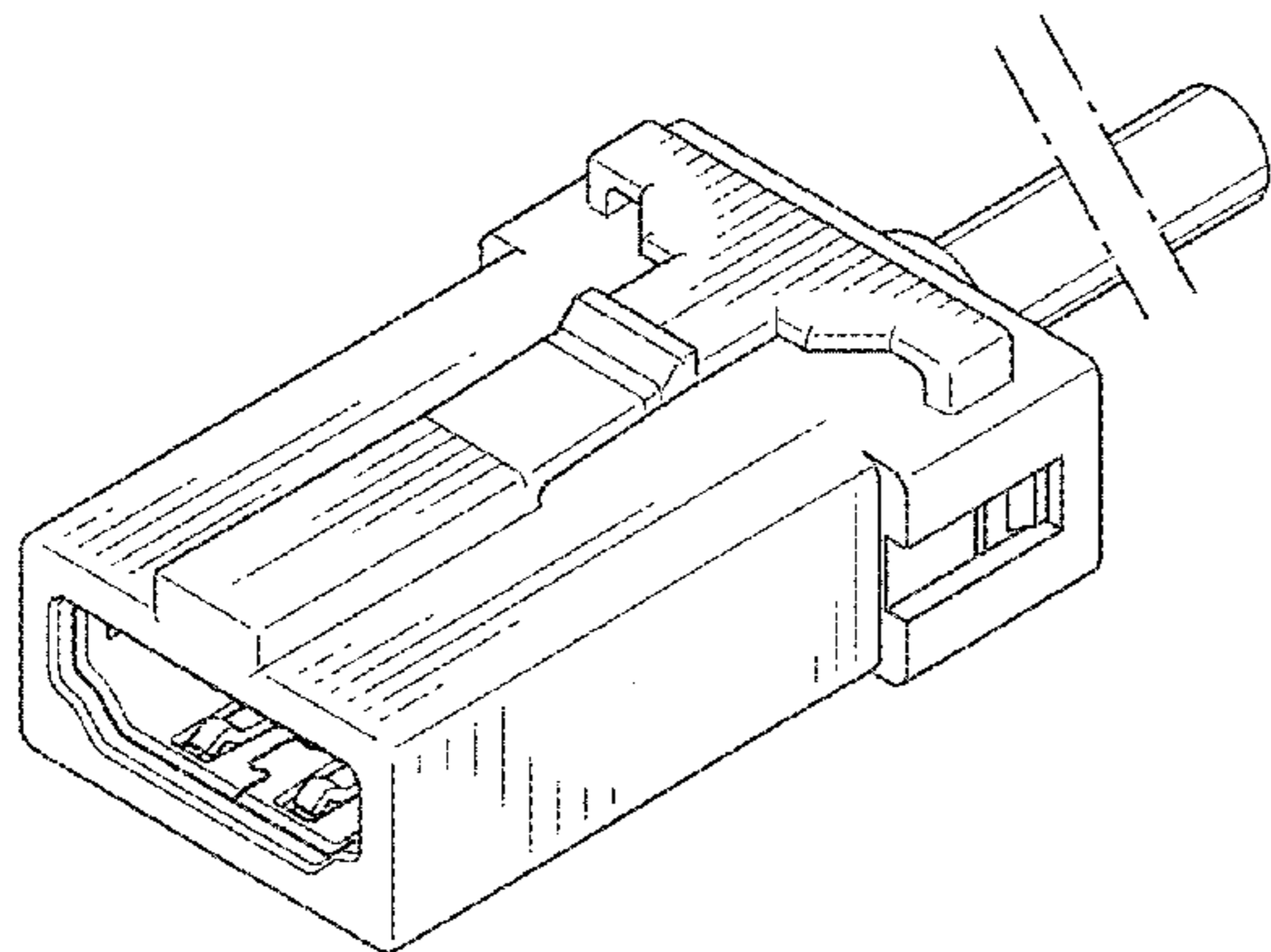


FIG. 1

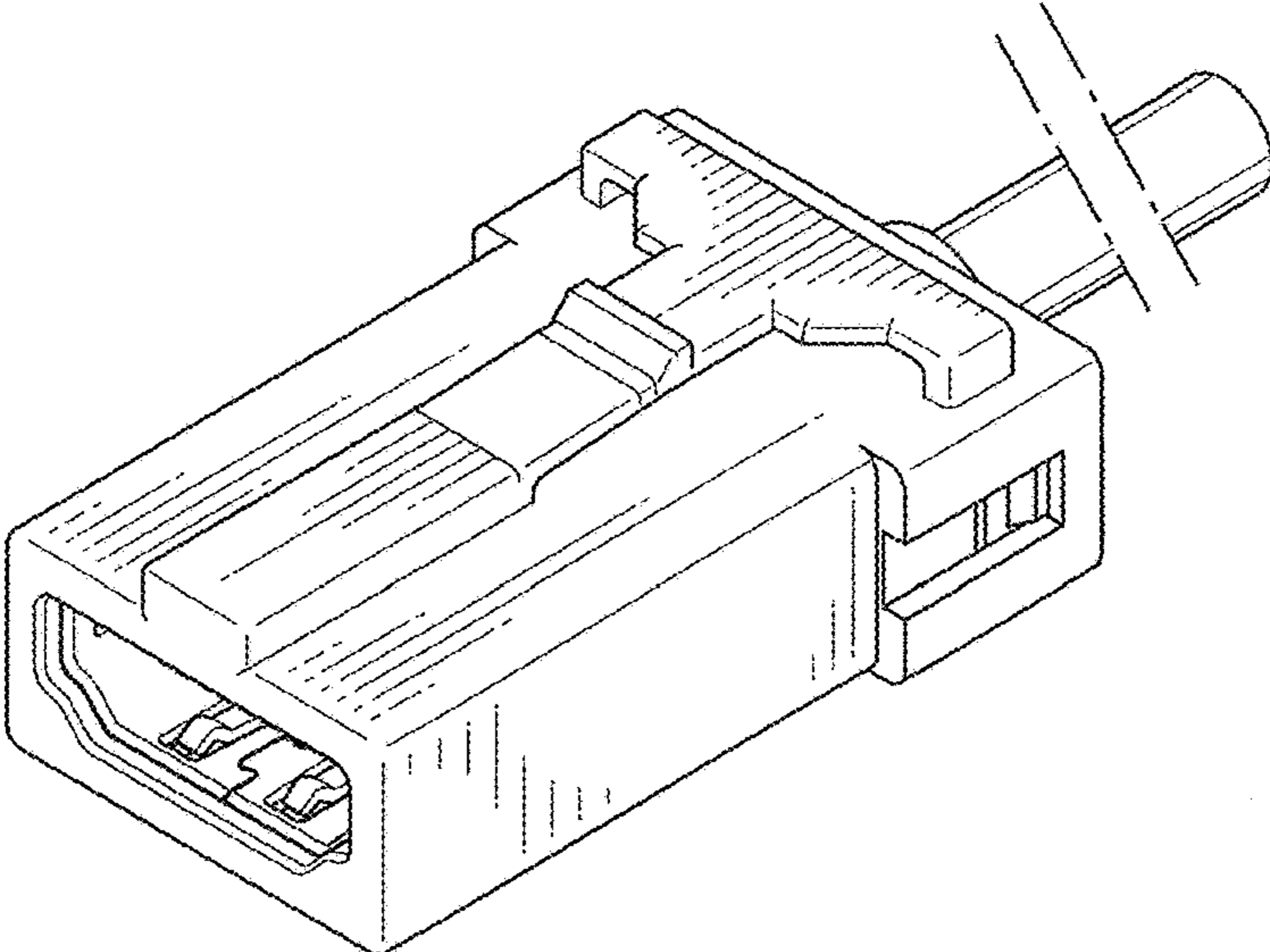


FIG. 2

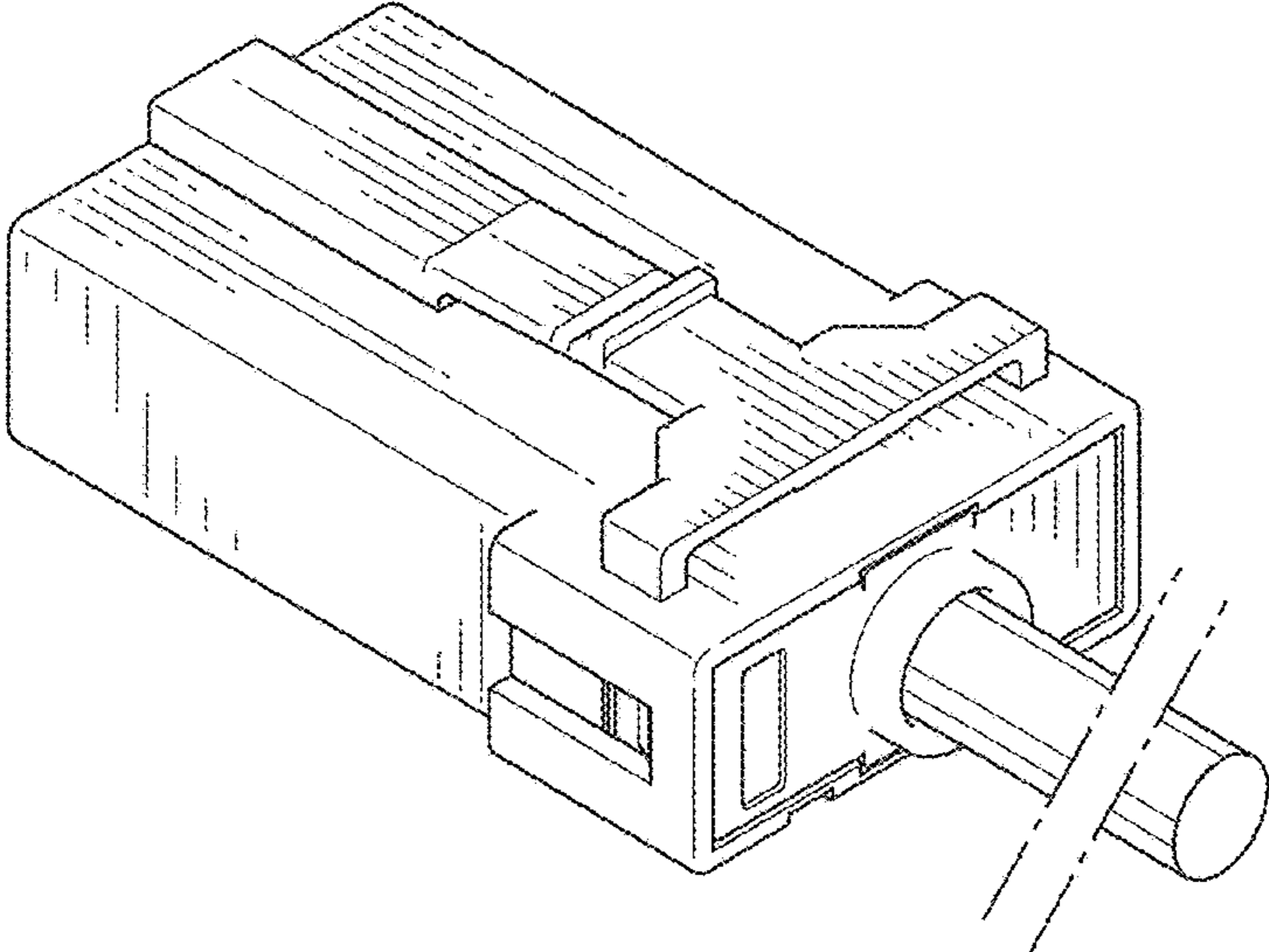


FIG. 3

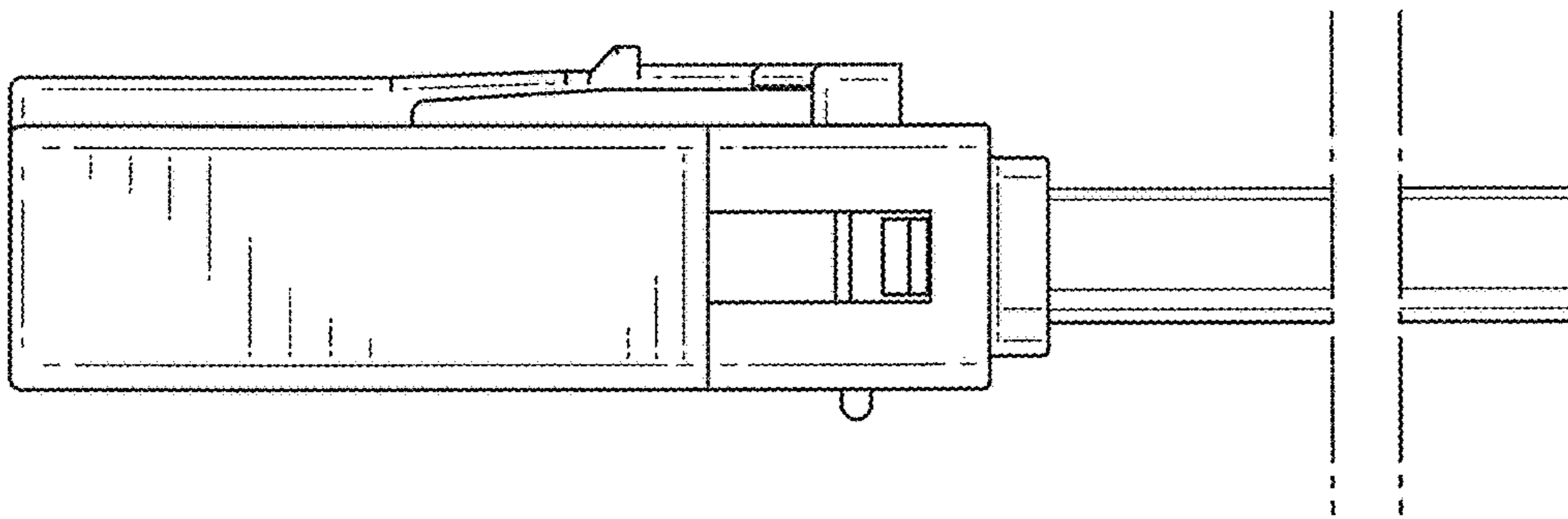


FIG. 4

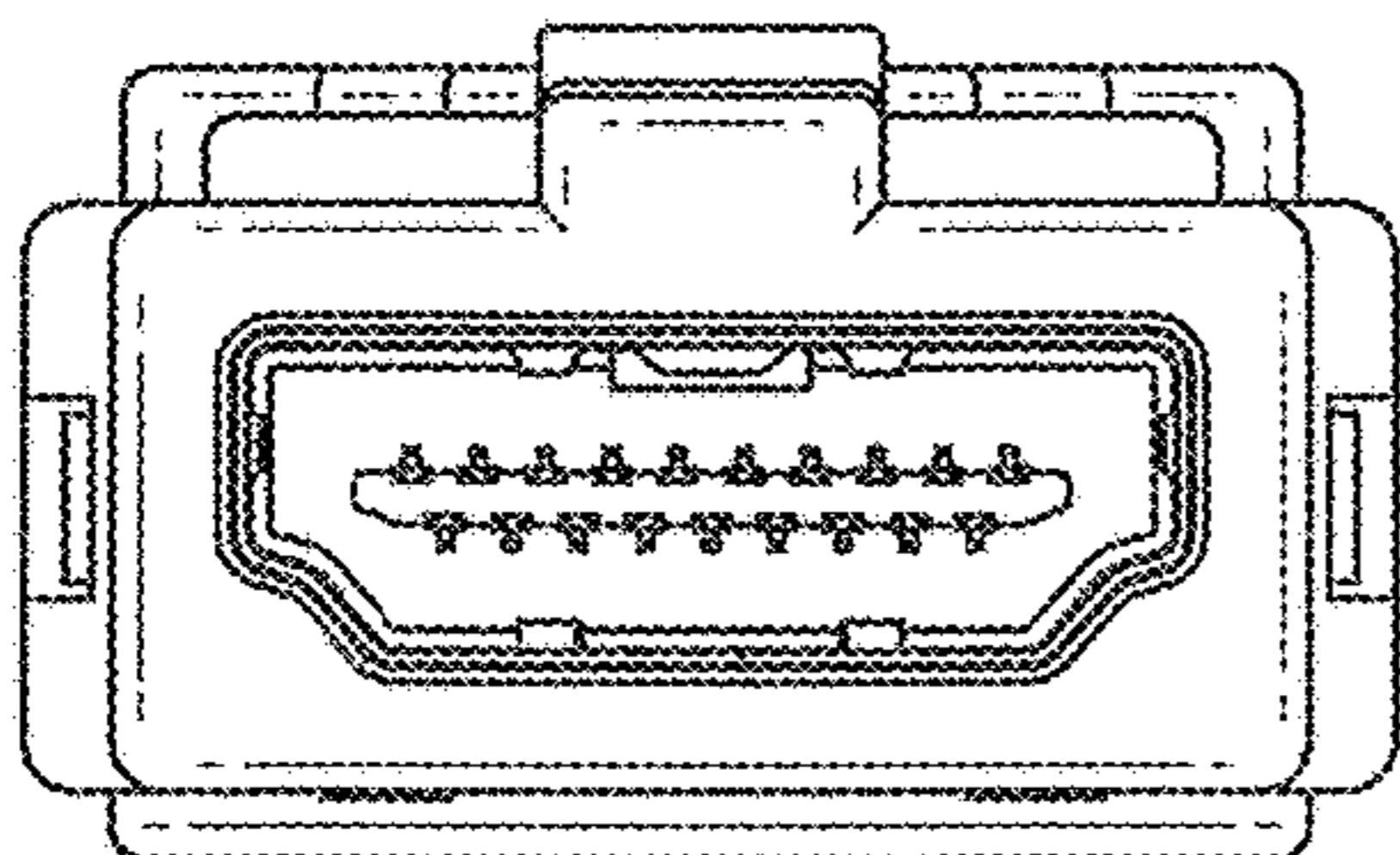


FIG. 5

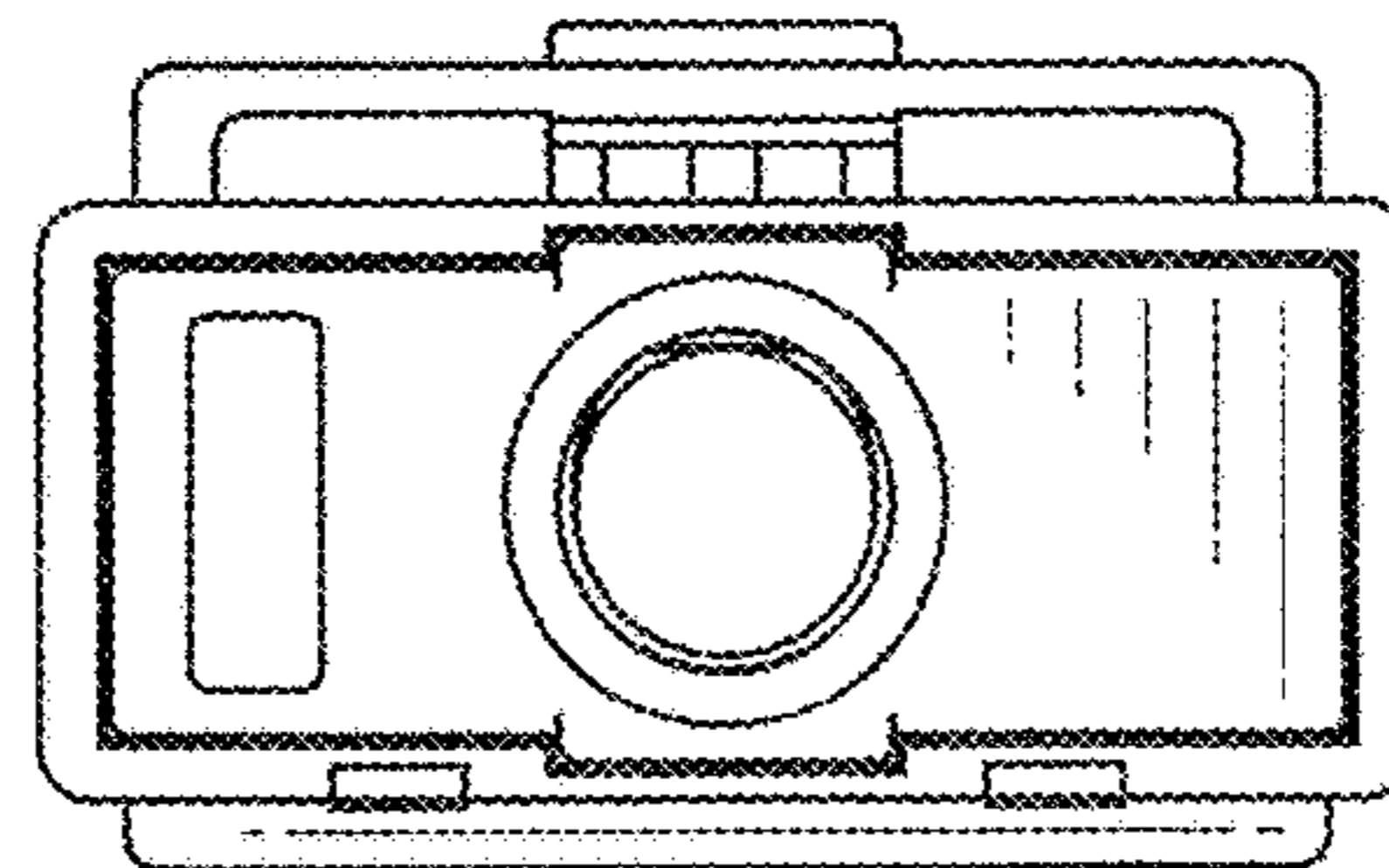


FIG. 6

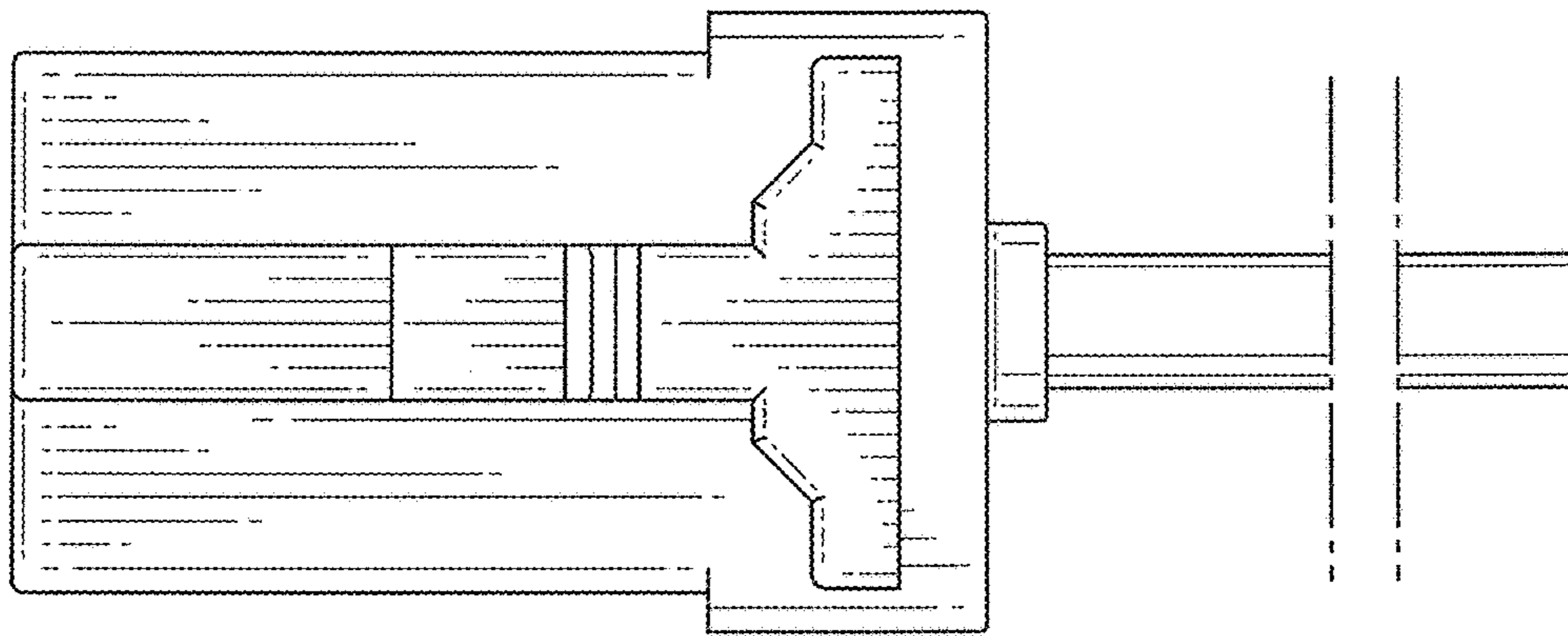


FIG. 7

