



US00D820214S

(12) **United States Design Patent** (10) **Patent No.:** **US D820,214 S**
Asano (45) **Date of Patent:** **** Jun. 12, 2018**

(54) **ELECTRICAL CONNECTOR**

(71) Applicant: **Hosiden Corporation**, Yao-shi, Osaka (JP)

(72) Inventor: **Takao Asano**, Yao (JP)

(73) Assignee: **HOSIDEN CORPORATION**, Yao-Shi (JP)

(**) Term: **15 Years**

(21) Appl. No.: **29/556,986**

(22) Filed: **Mar. 4, 2016**

(30) **Foreign Application Priority Data**

Oct. 14, 2015 (JP) 2015-022622

(51) **LOC (11) Cl.** **13-03**

(52) **U.S. Cl.**
USPC **D13/147**

(58) **Field of Classification Search**
USPC D13/103, 112, 118–120, 122, 123, 133,
D13/134, 146–147, 149, 154–156, 173,
D13/184, 199
CPC H01R 13/518; H01R 13/52; H01R 13/64;
H01R 13/6587; H01R 13/65; H01R
13/65802; H01R 23/688; H01R 23/6873;
H01R 24/00; H01R 24/60; H01R 24/62;
H01R 24/78

See application file for complete search history.

(56) **References Cited**

U.S. PATENT DOCUMENTS

D312,243 S *	11/1990	Yamamoto	D13/147
D314,754 S *	2/1991	Endo	D13/147
D537,037 S *	2/2007	Takehara	D13/133
D537,783 S *	3/2007	Hamada	D13/133
D539,741 S *	4/2007	Takehara	D13/133
D584,688 S *	1/2009	Sasada	D13/133
D655,678 S *	3/2012	Kobayashi	D13/147

D675,164 S *	1/2013	Kobayashi	D13/147
D709,034 S *	7/2014	Katayanagi	D13/147
D709,035 S *	7/2014	Yokoyama	D13/147
D773,999 S *	12/2016	Endo	D13/147
D812,013 S *	3/2018	Kirk	D13/147
D812,557 S *	3/2018	Rostami	D13/103
2014/0113497 A1 *	4/2014	Wang	H01R 13/52 439/660

(Continued)

Primary Examiner — Thomas Johannes

Assistant Examiner — Shawn T Gingrich

(74) *Attorney, Agent, or Firm* — Rankin, Hill & Clark LLP

(57) **CLAIM**

The ornamental design for an electrical connector, as shown and described.

DESCRIPTION

FIG. 1 is a front, right side and top perspective view of an electrical connector in accordance with an embodiment of my new design;

FIG. 2 is a front, right side and bottom perspective view of the electrical connector in accordance with the embodiment of my new design;

FIG. 3 is a front elevation view of the electrical connector in accordance with the embodiment of my new design;

FIG. 4 is a rear elevation view of the electrical connector in accordance with the embodiment of my new design;

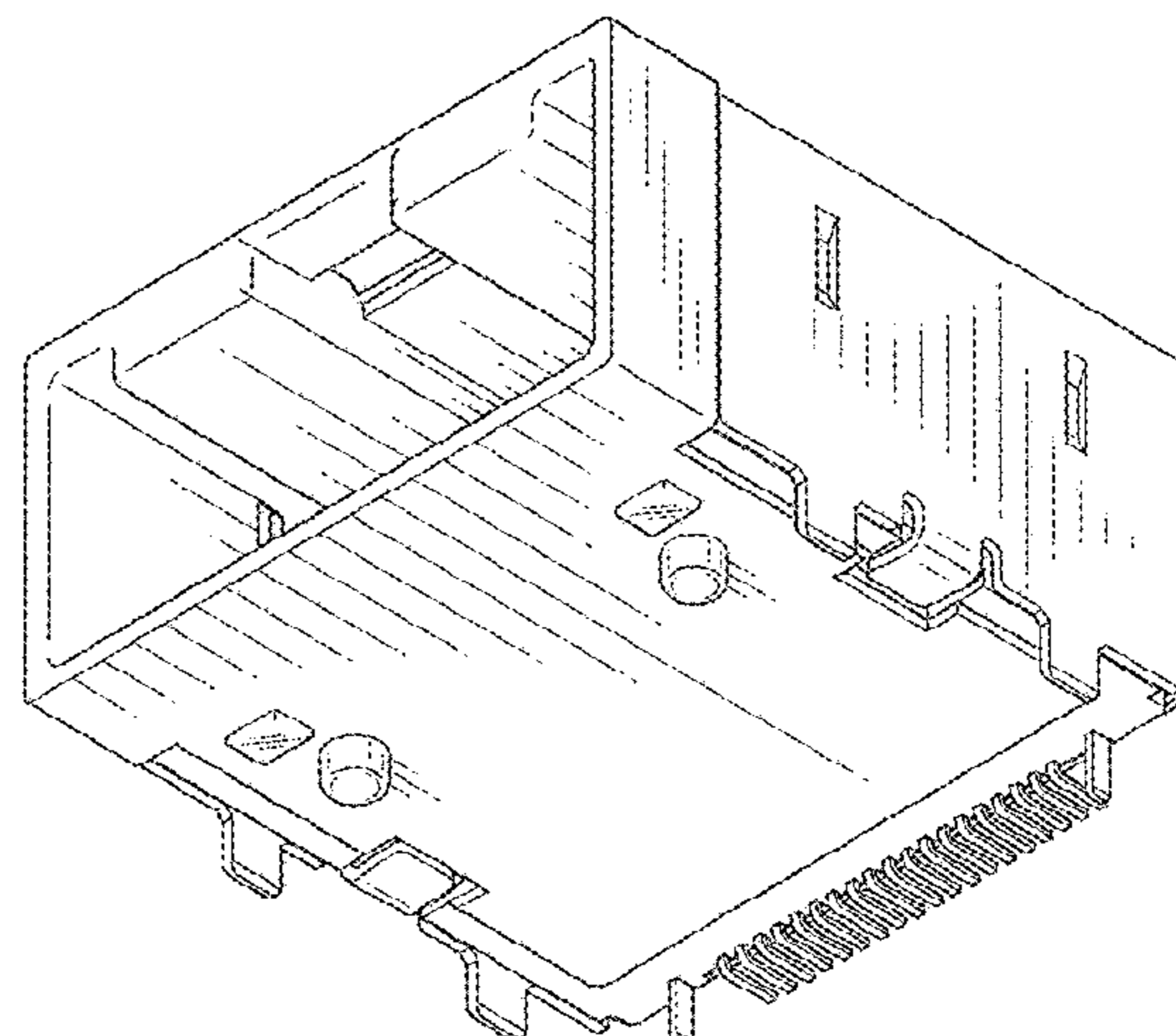
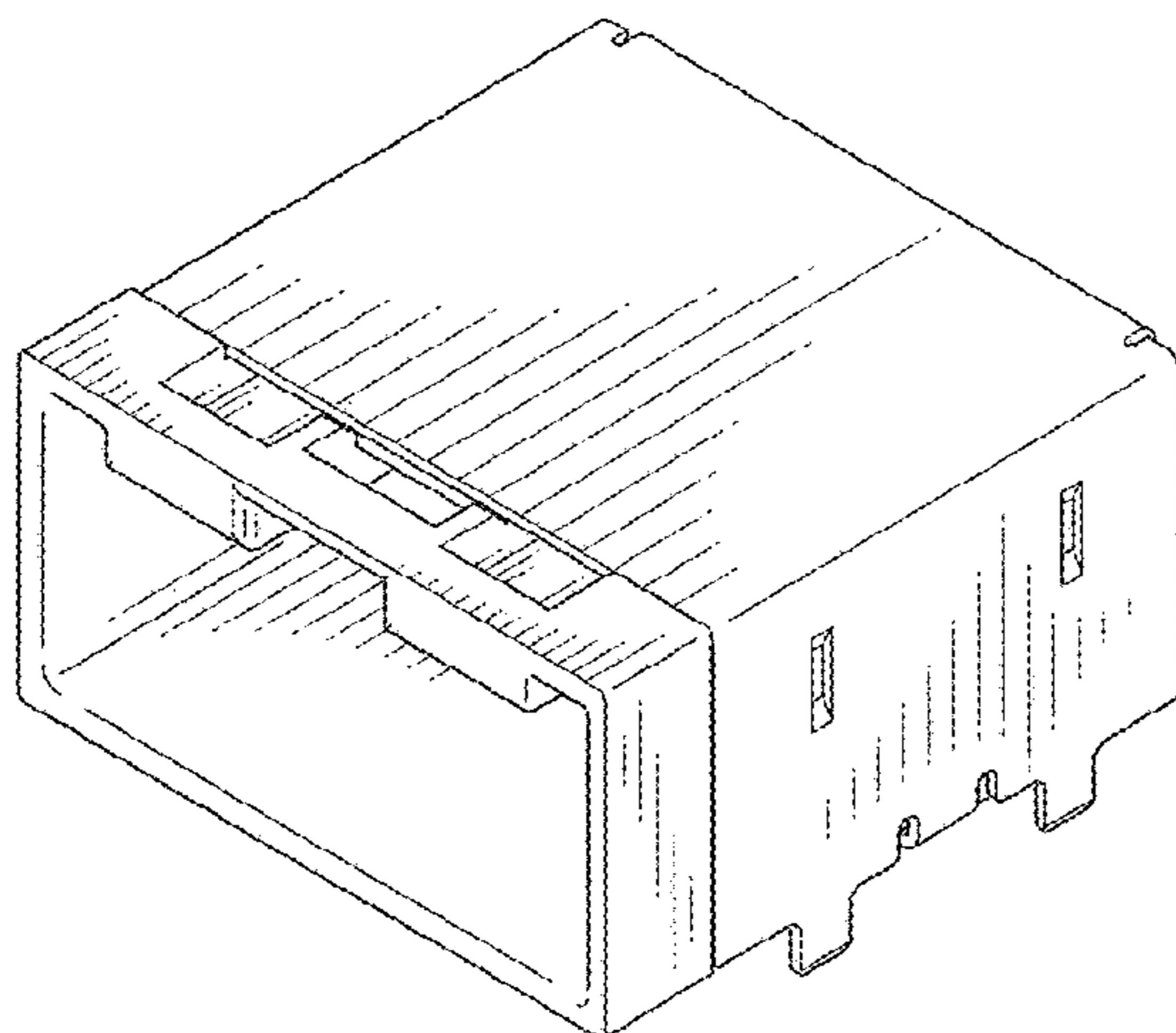
FIG. 5 is a left side view of the electrical connector in accordance with the embodiment of my new design, a right side view being a mirror image thereof;

FIG. 6 is a top plan view of the electrical connector in accordance with the embodiment of my new design; and,

FIG. 7 is a bottom plan view of the electrical connector in accordance with the embodiment of my new design.

The broken line portion of the drawings is included to show portions of the article that forms no part of the claimed design.

1 Claim, 3 Drawing Sheets



(56)

References Cited

U.S. PATENT DOCUMENTS

2016/0285191 A1* 9/2016 Ono H01R 12/712

* cited by examiner

FIG. 1

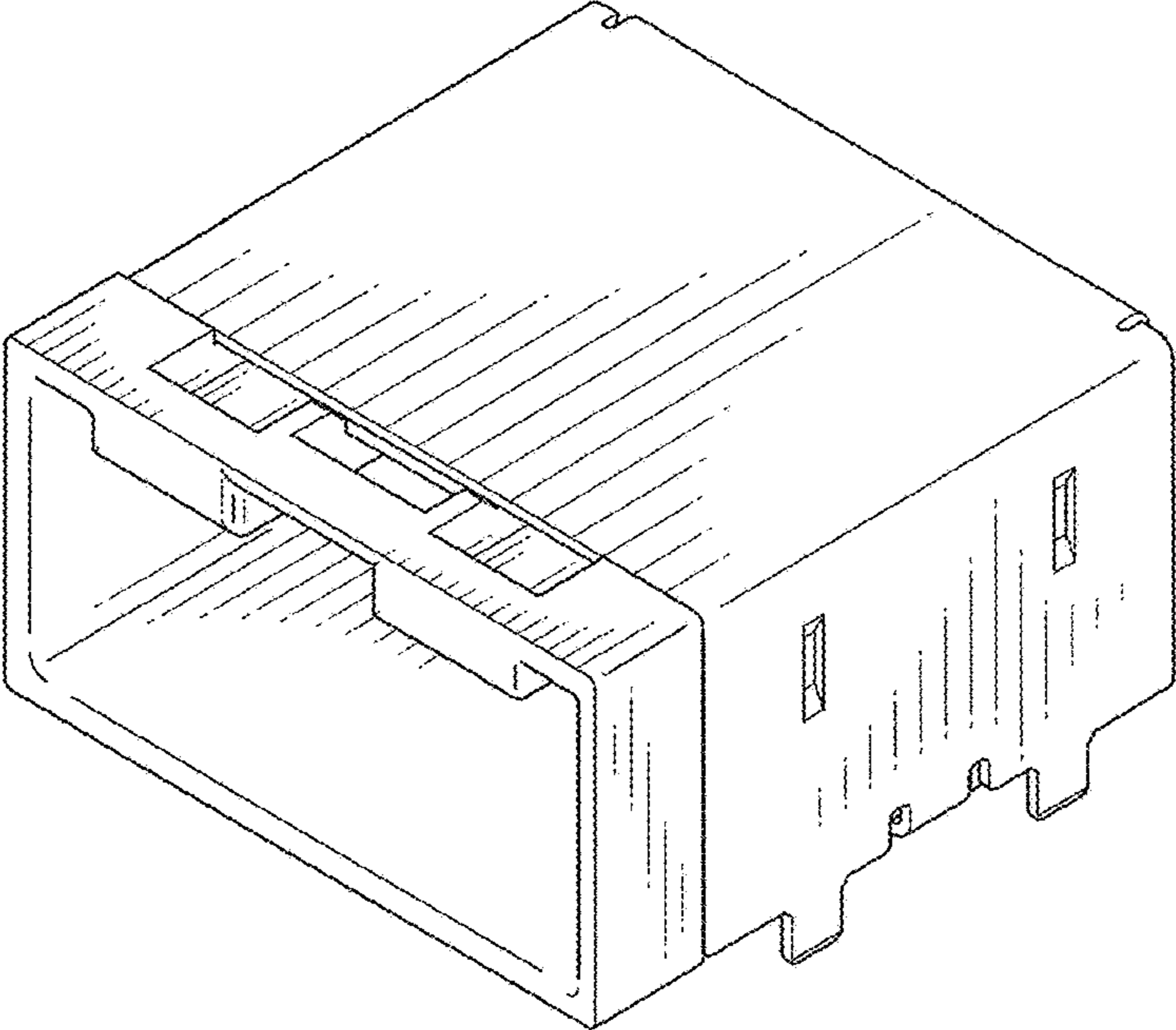


FIG. 2

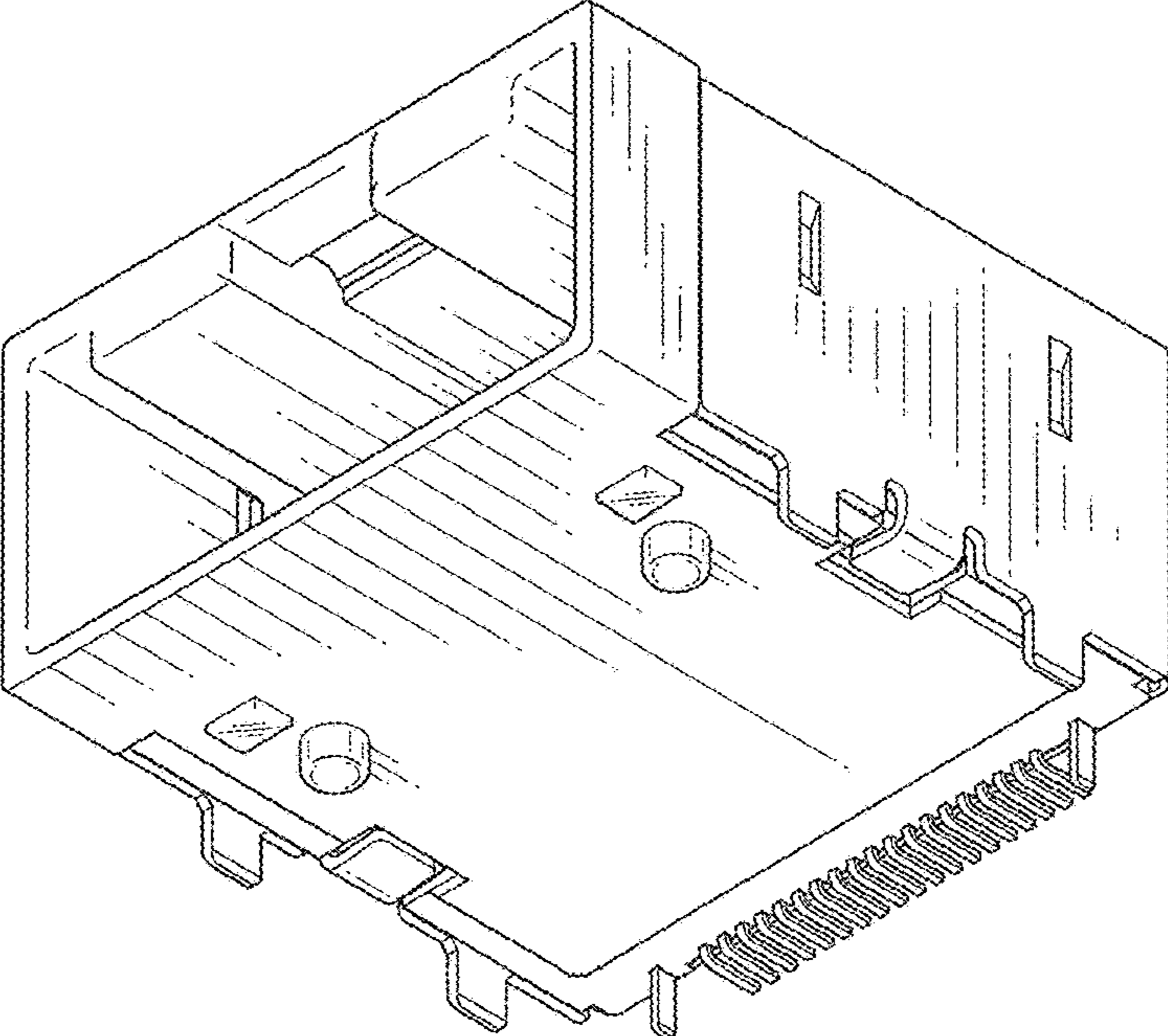


Fig.3

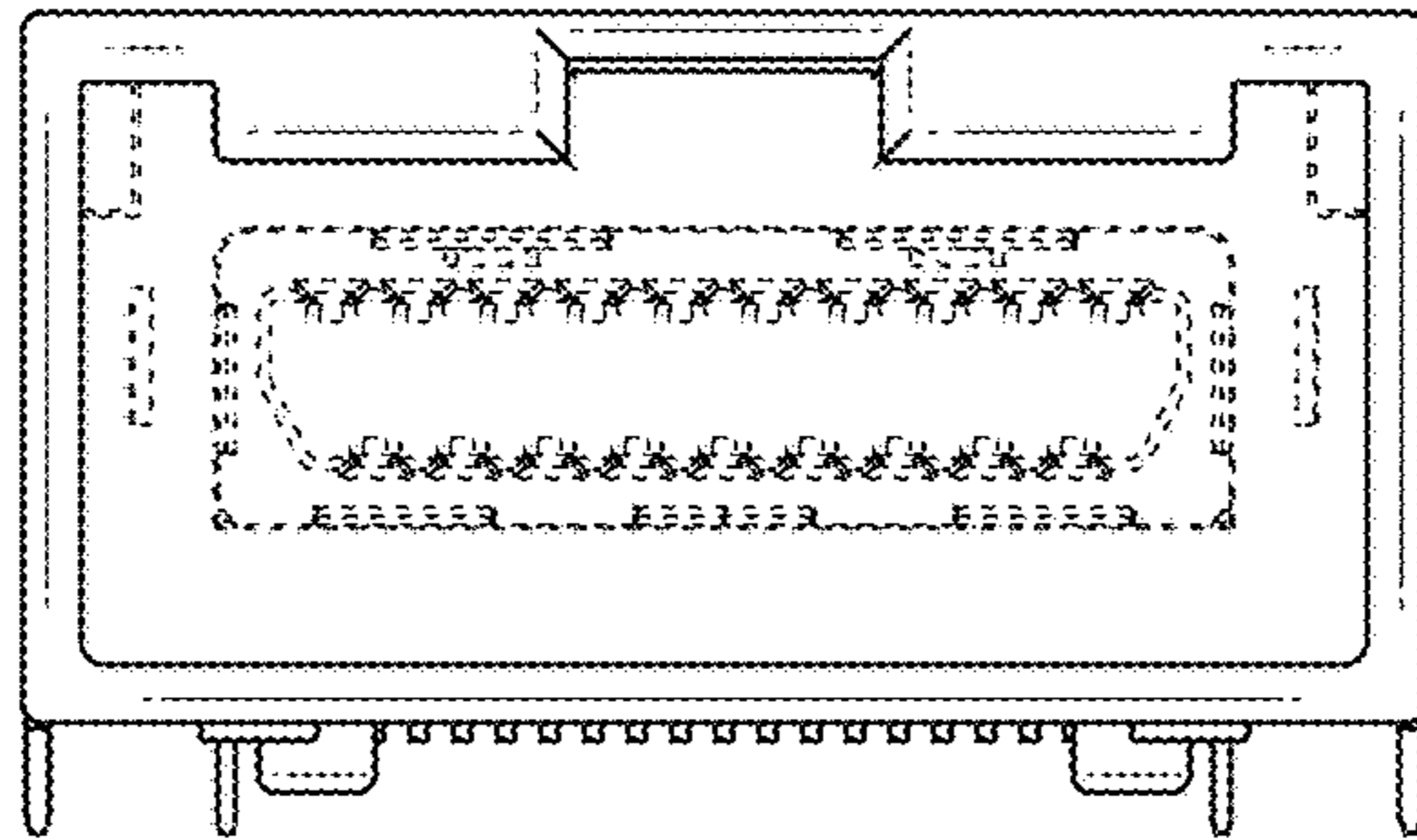


Fig.4

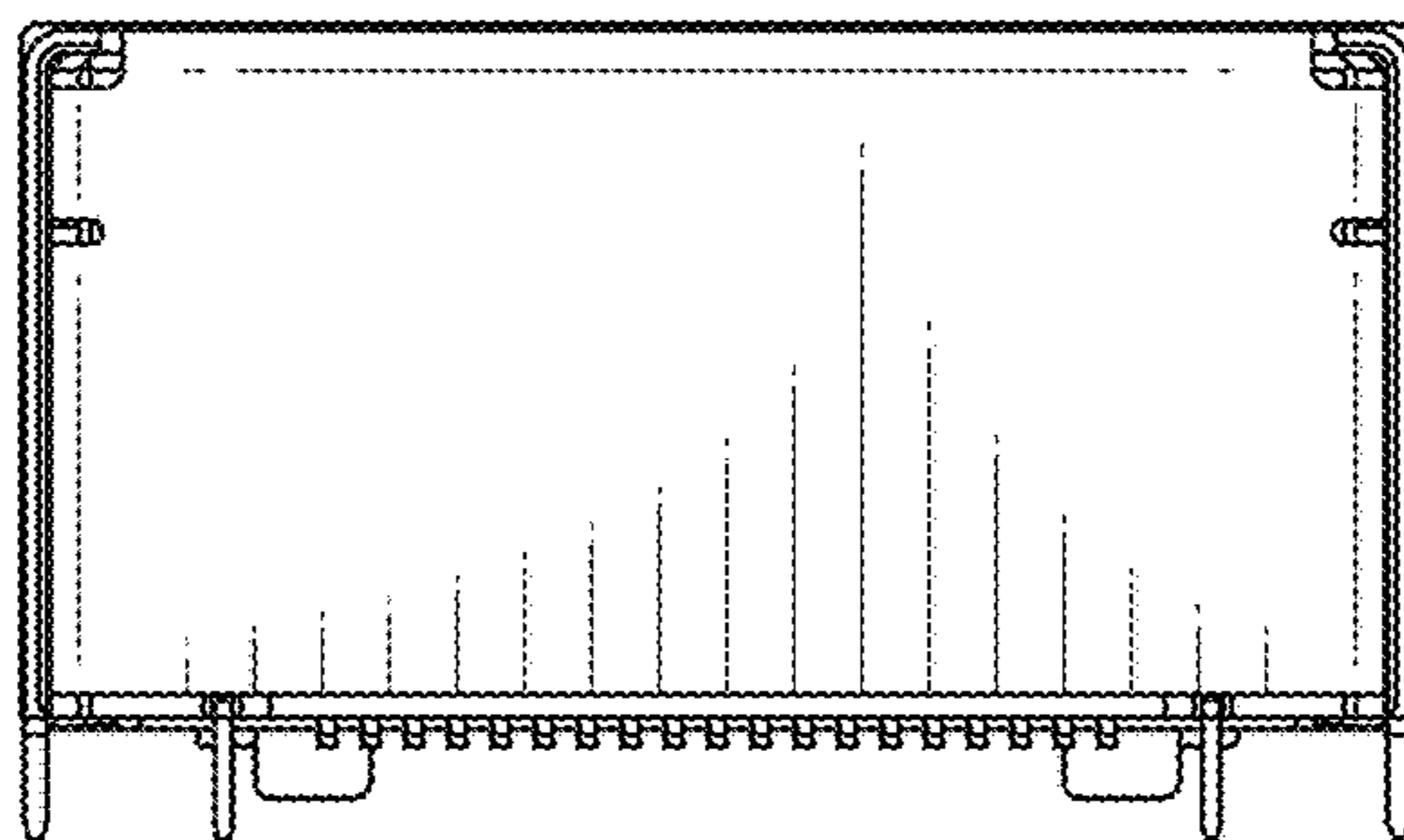


Fig.5

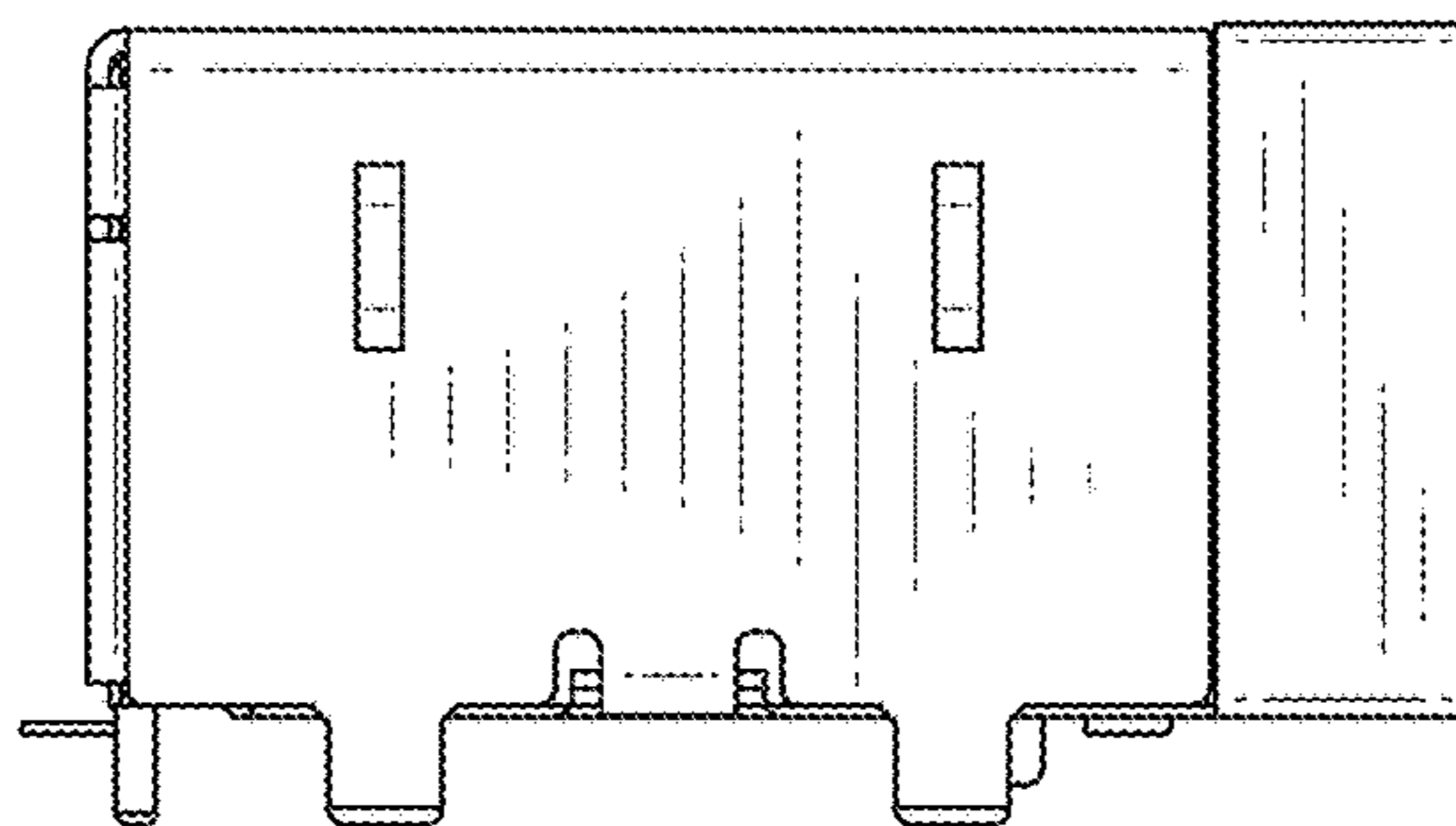


FIG. 6

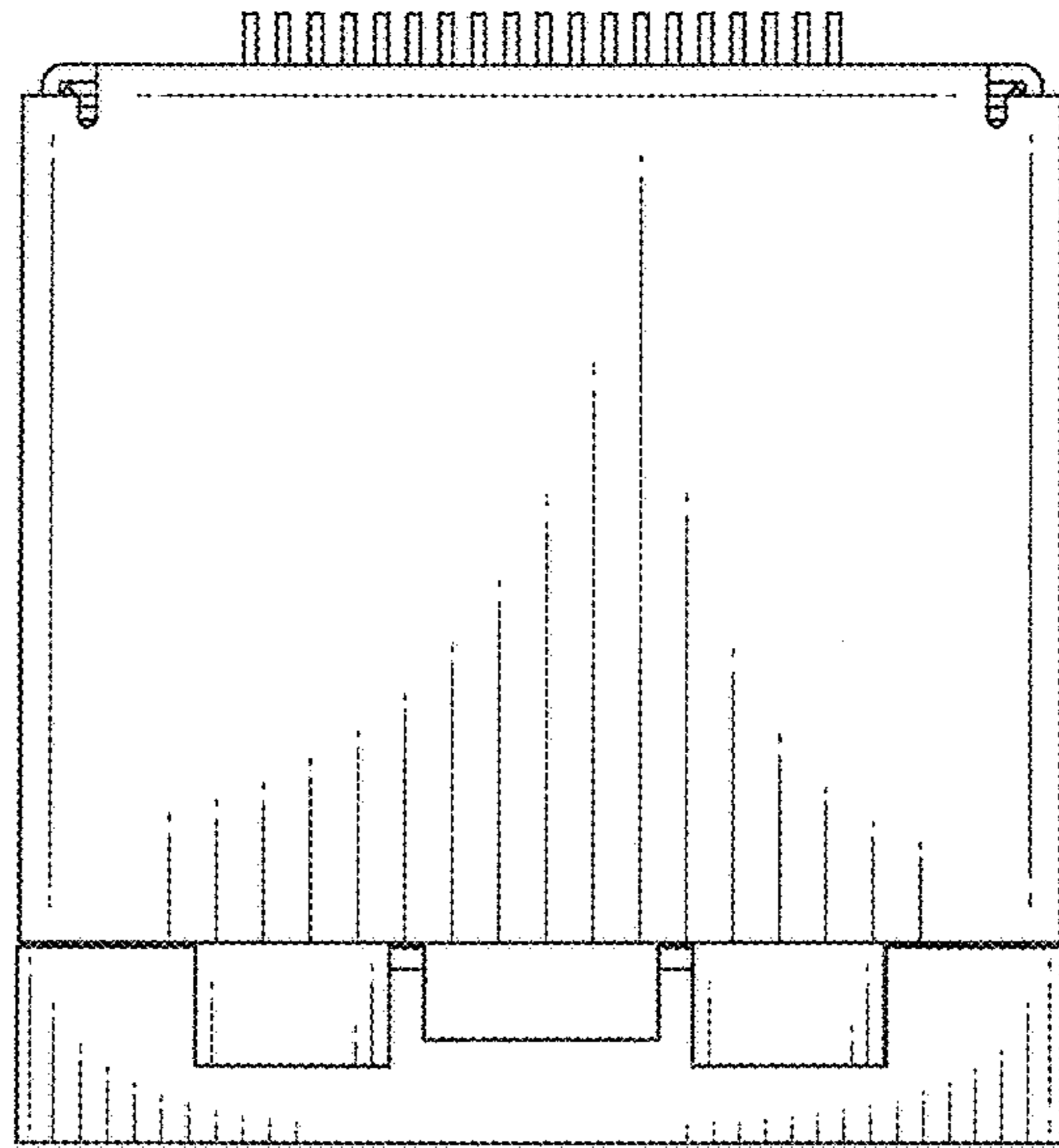


FIG. 7

