



US00D820212S

(12) **United States Design Patent** (10) **Patent No.:** **US D820,212 S**
Stern (45) **Date of Patent:** **** Jun. 12, 2018**

- (54) **PLUG**
- (71) Applicant: **Windsor Worldwide Group Inc.**,
Union, NJ (US)
- (72) Inventor: **Joel Stern**, Union, NJ (US)
- (73) Assignee: **WINDSOR WORLDWIDE GROUP INC.**, Union, NJ (US)
- (**) Term: **15 Years**
- (21) Appl. No.: **29/597,878**
- (22) Filed: **Mar. 21, 2017**
- (51) **LOC (11) Cl.** **13-03**
- (52) **U.S. Cl.**
USPC **D13/137.2**
- (58) **Field of Classification Search**
USPC D13/103, 137.1–137.3, 138.1, 138.2,
D13/139.1, 139.3, 139.8
CPC . H02G 3/14; H01R 31/06; H01H 9/16; H01H
9/18
See application file for complete search history.

- 9,312,704 B2 * 4/2016 Tinaphong H02J 7/0004
- D775,588 S * 1/2017 Xu D13/137.2
- D783,435 S * 4/2017 Kalyan D10/106.2
- D807,827 S * 1/2018 Lu D13/137.2
- 2013/0267116 A1* 10/2013 Tin H02J 1/00
439/535
- 2014/0273567 A1* 9/2014 Huang H01R 13/4538
439/157

* cited by examiner

Primary Examiner — Rosemary K Tarcza

Assistant Examiner — Alison M Ofstun

(74) *Attorney, Agent, or Firm* — Ostrolenk Faber LLP

(57) **CLAIM**

The ornamental design for a plug, as shown and described.

DESCRIPTION

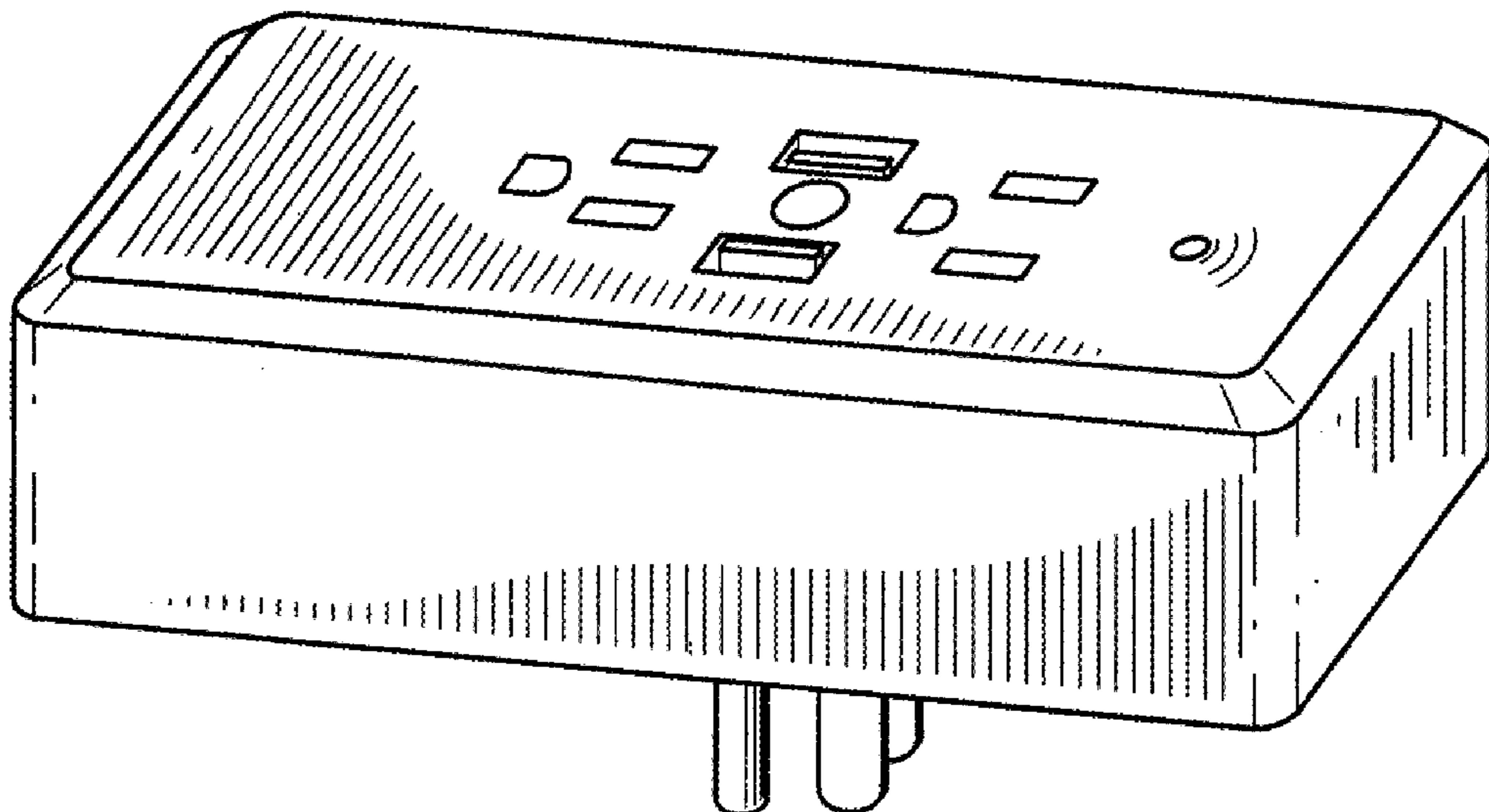
FIG. 1 is a perspective view of a first embodiment of a plug, showing my new design;
 FIG. 2 is a right side view thereof, the left side being a mirror image thereof;
 FIG. 3 is a top view of FIG. 1.
 FIG. 4 is a bottom view of FIG. 1.
 FIG. 5 is a bottom view of FIG. 1.
 FIG. 6 is a bottom perspective view thereof;
 FIG. 7 is a perspective view of a second embodiment of a plug;
 FIG. 8 is a right side view thereof, the left side being a mirror image thereof;
 FIG. 9 is a top view thereof; and,
 FIG. 10 is a bottom perspective view thereof.

1 Claim, 5 Drawing Sheets

(56) **References Cited**

U.S. PATENT DOCUMENTS

- D314,177 S * 1/1991 Heiligenstein D13/138.1
- D401,556 S * 11/1998 Stekelenburg D13/138.2
- D534,441 S * 1/2007 Stekelenburg D10/40
- D605,962 S * 12/2009 Tsou D10/100
- D653,566 S * 2/2012 Gonzales D10/106.3
- D669,029 S * 10/2012 Huang D13/110



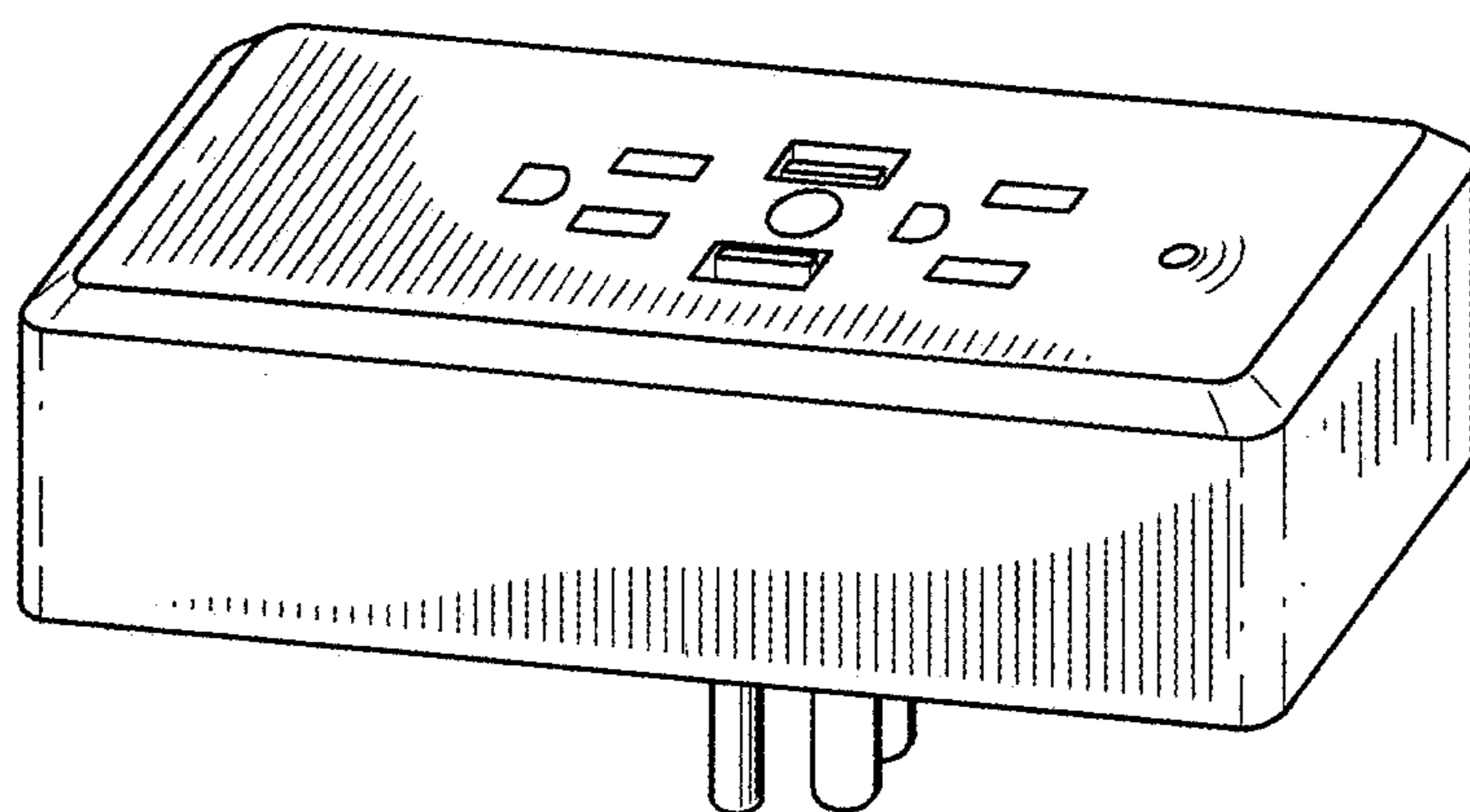


FIG. 1

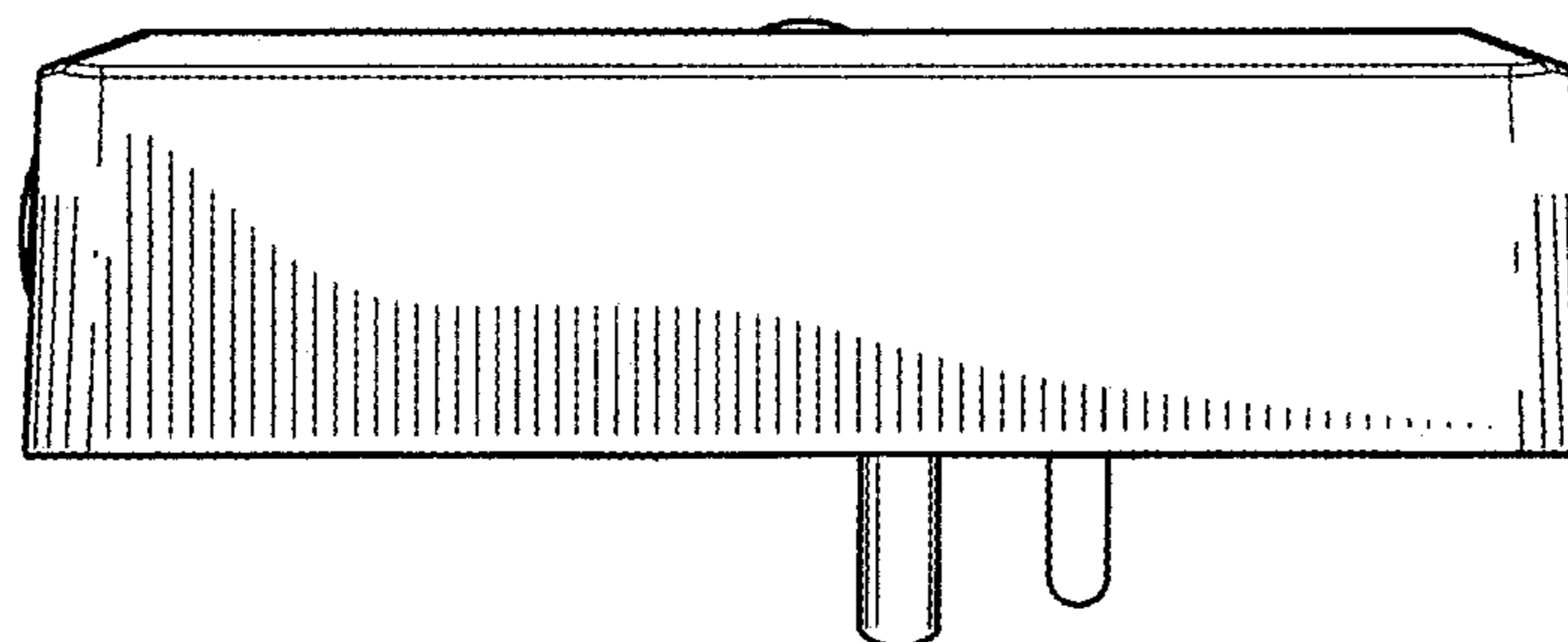


FIG. 2

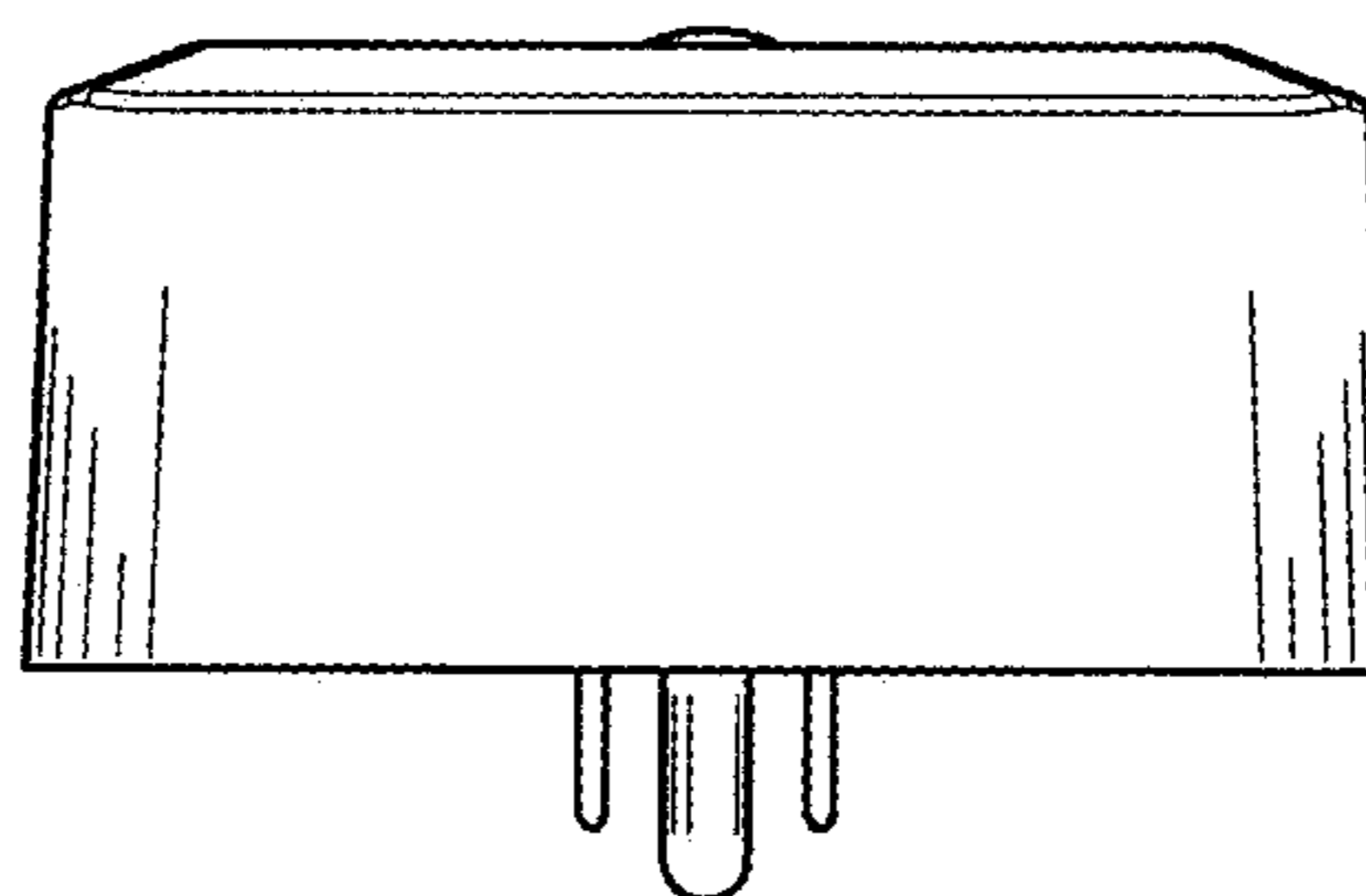


FIG. 3

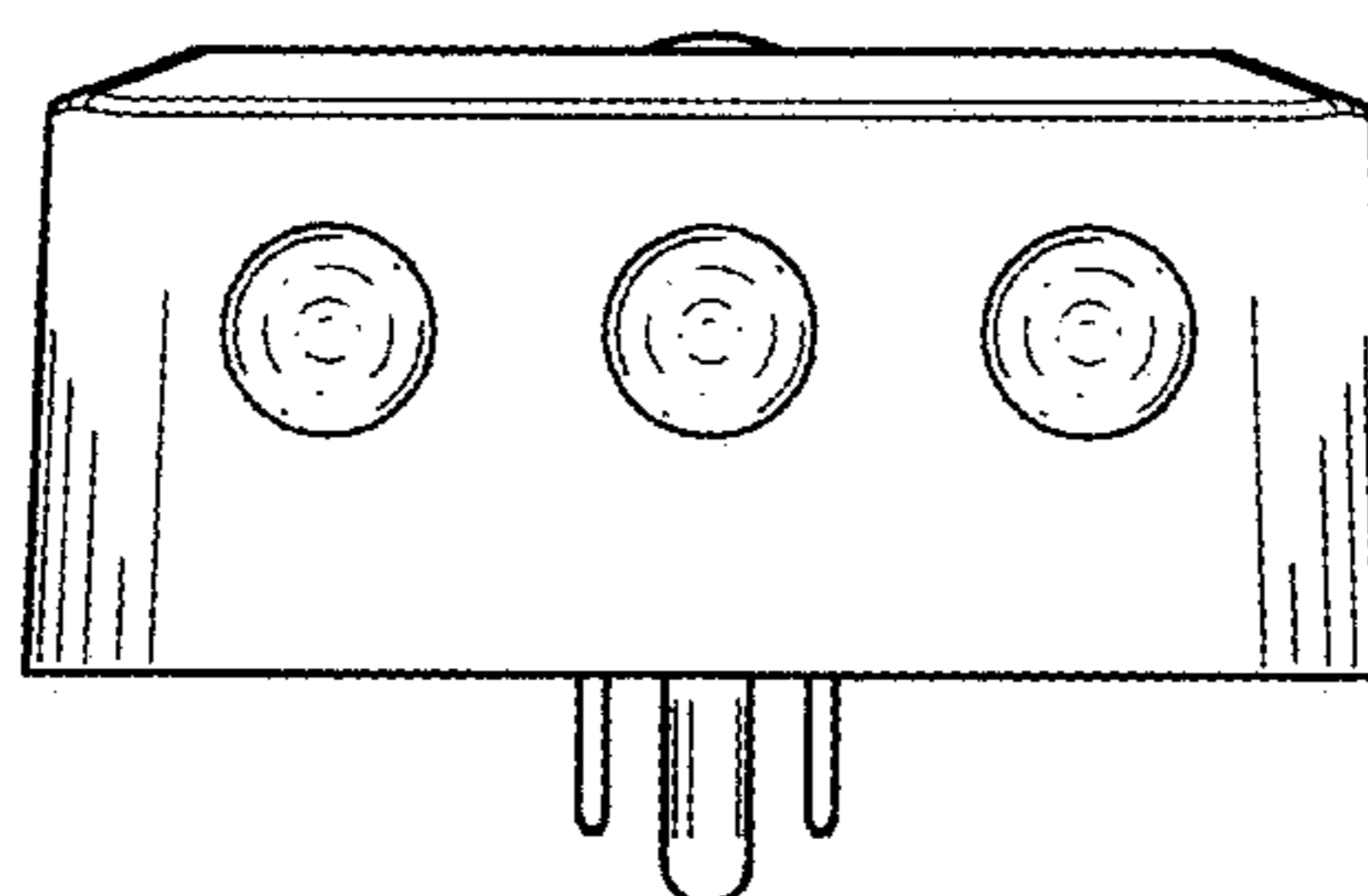


FIG. 4

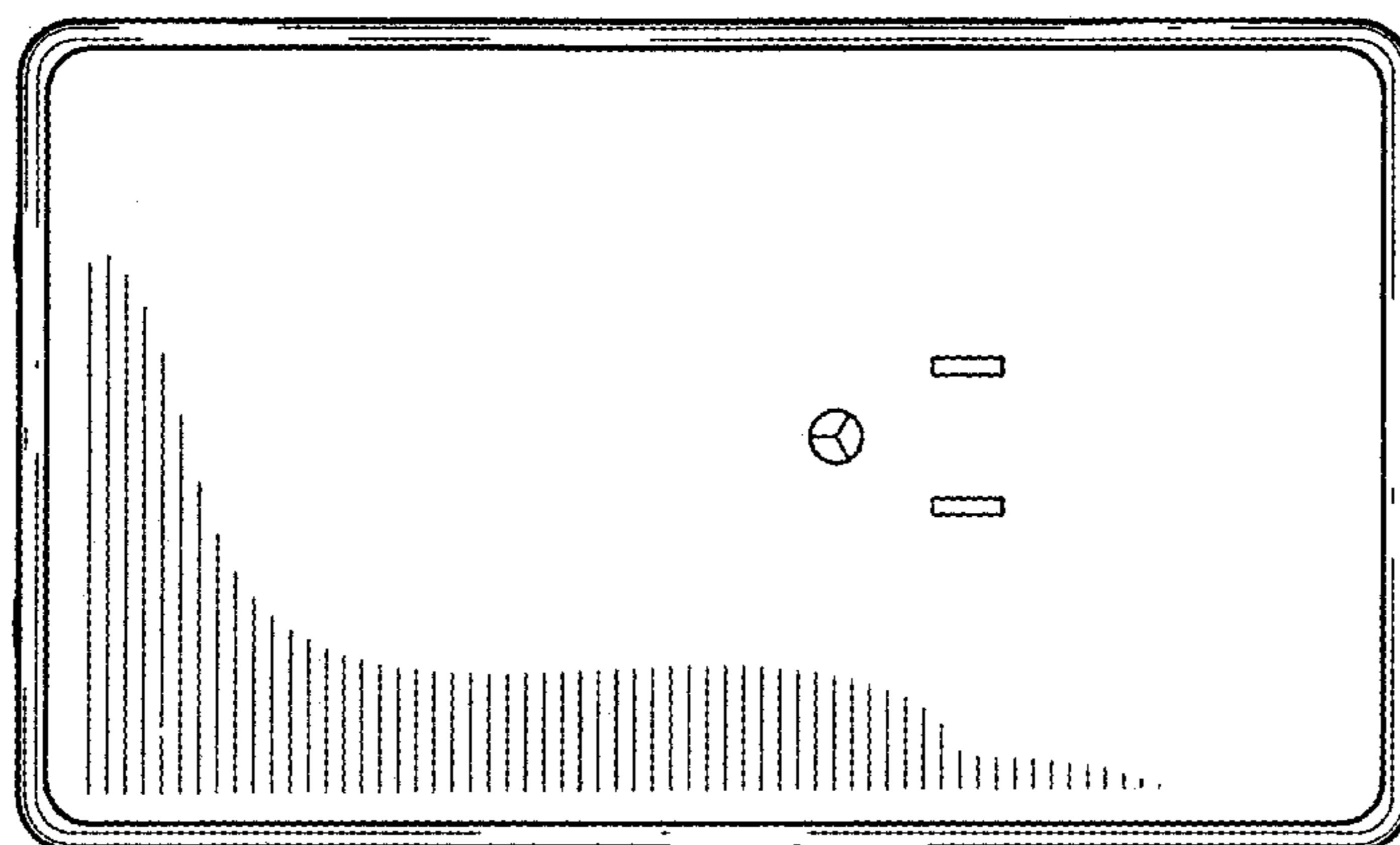


FIG. 5

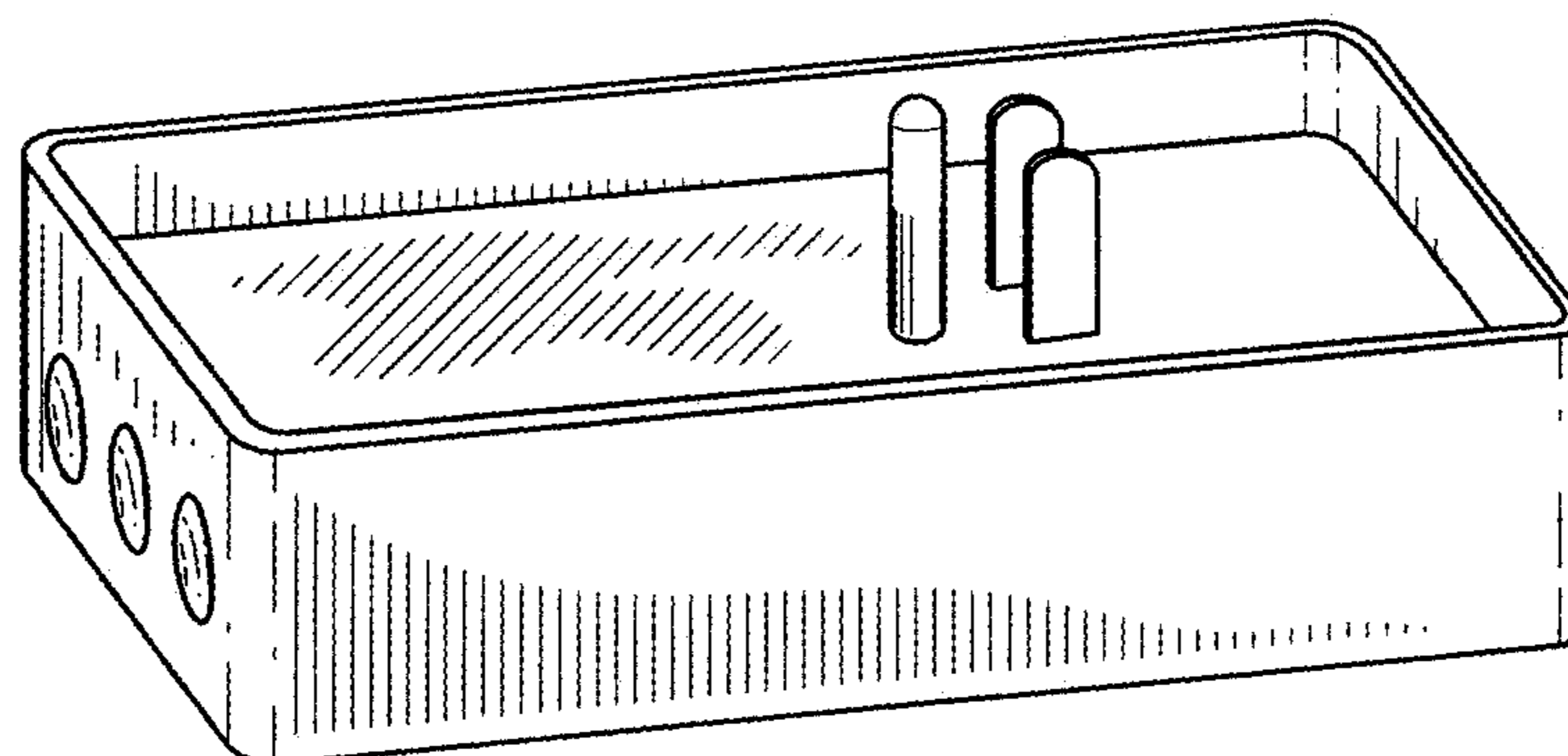


FIG. 6

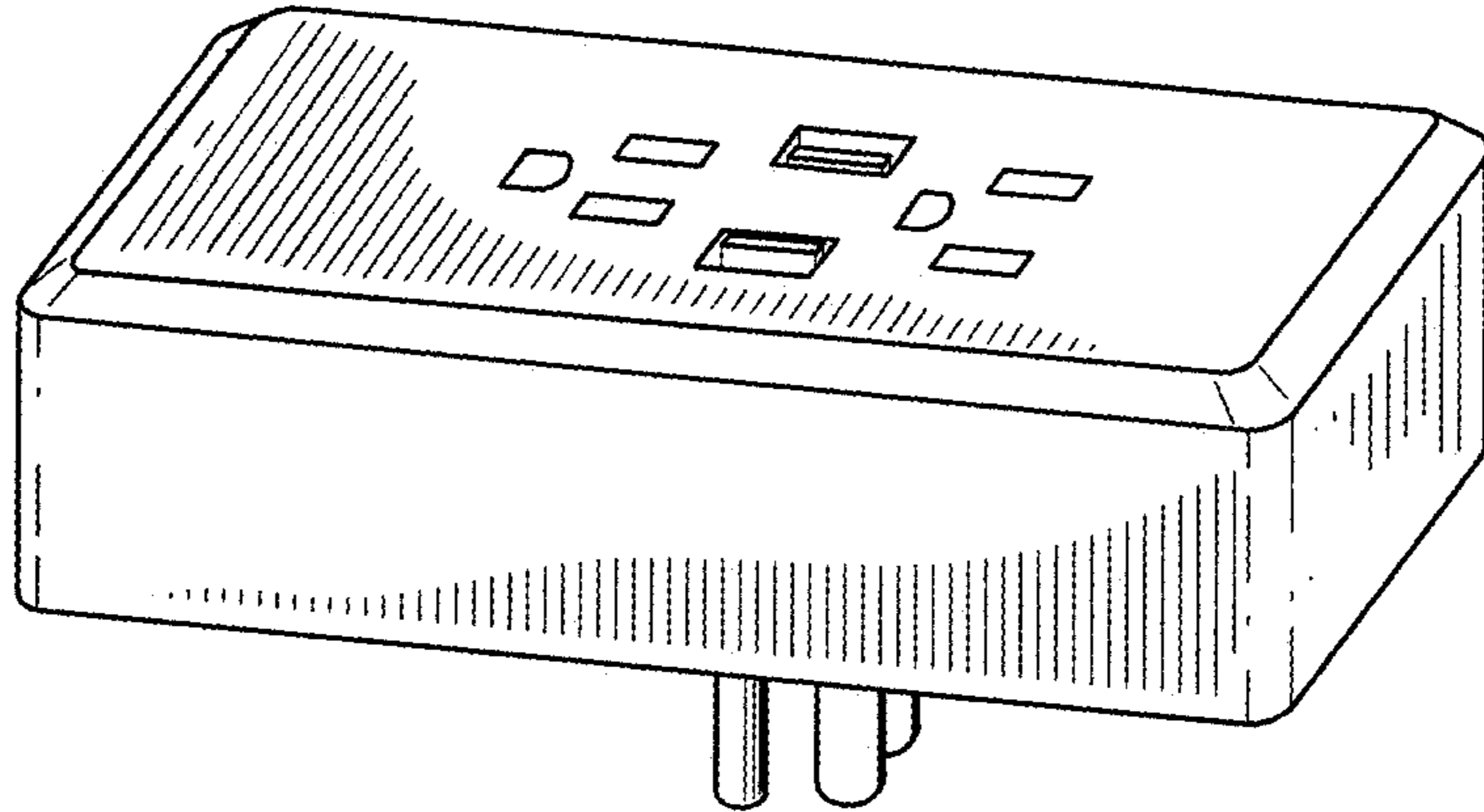


FIG. 7

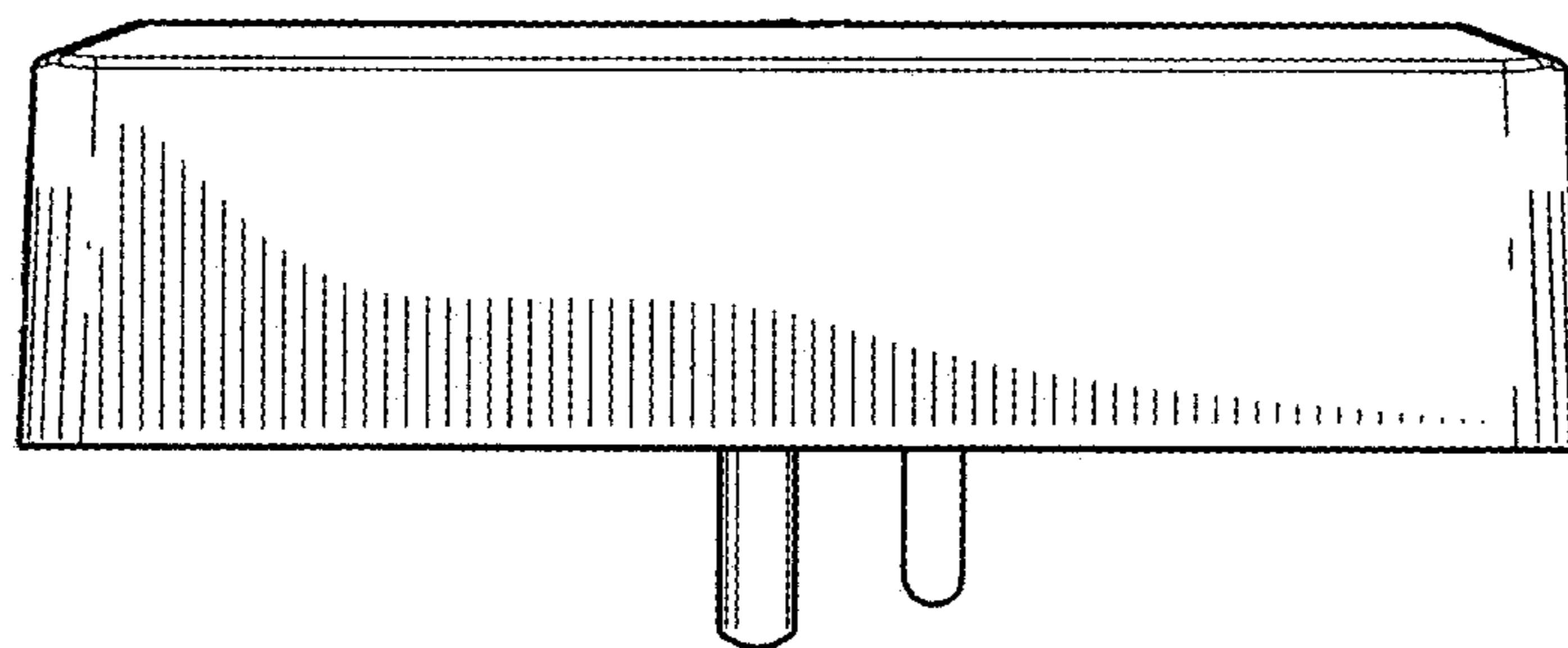


FIG. 8

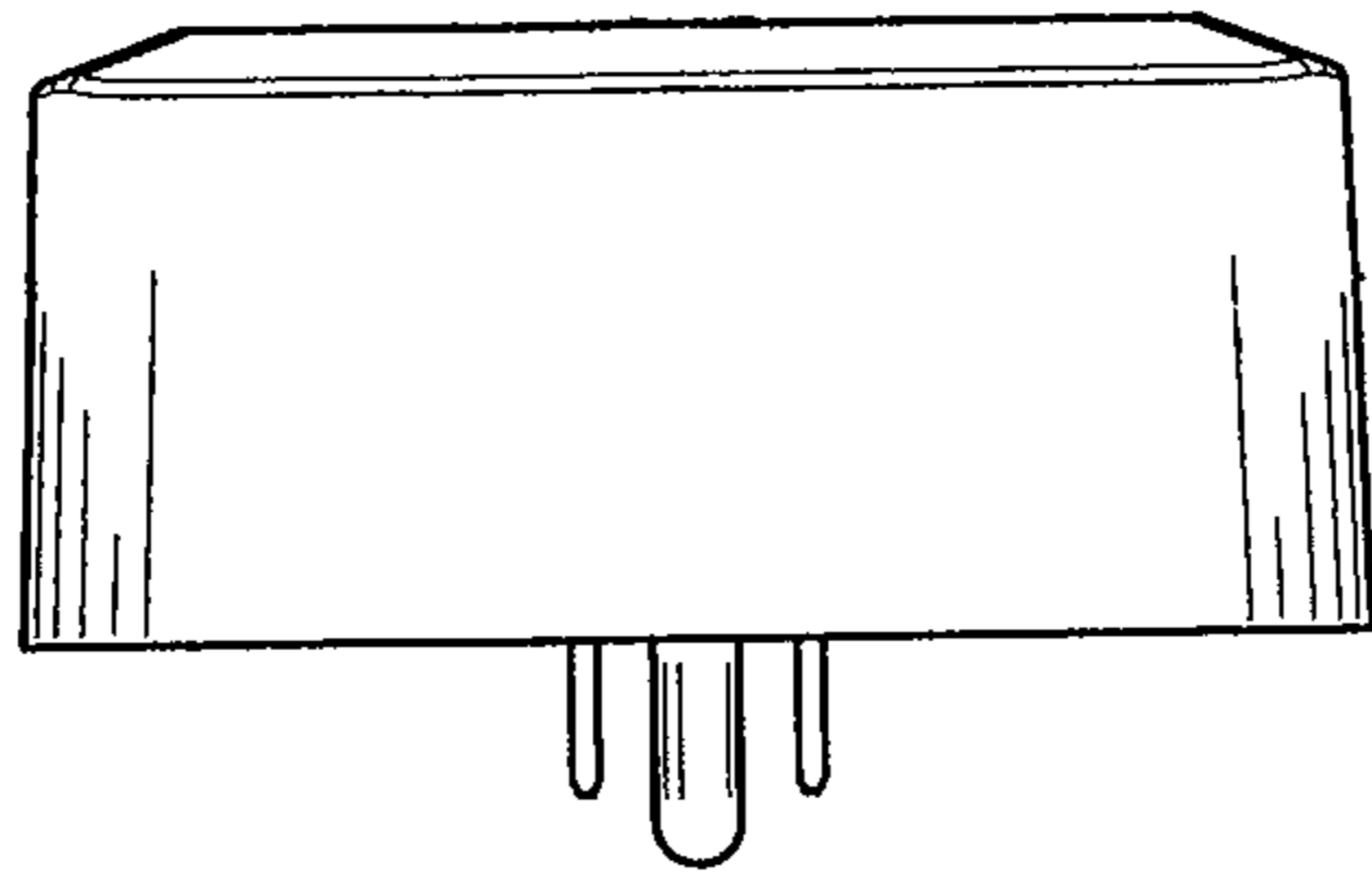


FIG. 9

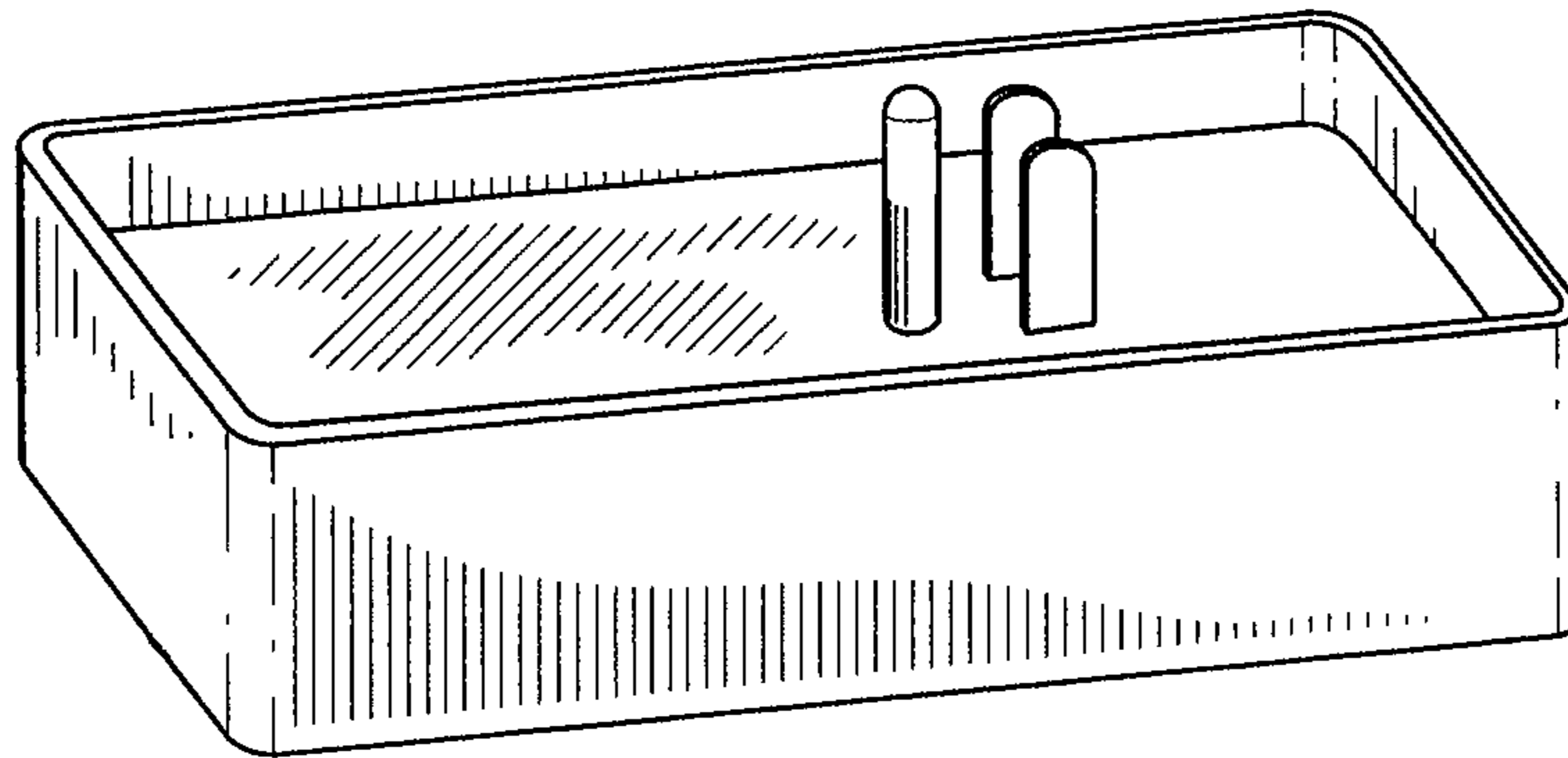


FIG. 10