



US00D820208S

(12) **United States Design Patent**
Lemelson et al.

(10) **Patent No.:** **US D820,208 S**
(45) **Date of Patent:** **** Jun. 12, 2018**

(54) **POWER ADAPTER**

(71) Applicant: **Ubio Labs, Inc.**, Bellevue, WA (US)

(72) Inventors: **Jason D. Lemelson**, Bellevue, WA (US); **Kenneth D. Jasinski**, Bellevue, WA (US)

(73) Assignee: **UBIO LABS, INC.**, Bellevue, WA (US)

(**) Term: **15 Years**

(21) Appl. No.: **29/605,968**

(22) Filed: **May 31, 2017**

(51) **LOC (11) Cl.** **13-03**

(52) **U.S. Cl.**
USPC **D13/110**

(58) **Field of Classification Search**
USPC D13/110, 118, 133, 146, 147, 154, 156, D13/180, 182, 184, 199; D14/433, 435.1, D14/438
CPC H01R 13/20; H01R 13/26; H01R 13/434; H01R 13/625; H01R 13/642; H01R 13/652; H01R 13/6581; H01R 13/6582; H01R 13/6583; H01R 13/66; H01R 13/6633; H01R 13/68
See application file for complete search history.

(56) **References Cited**

U.S. PATENT DOCUMENTS

D651,975 S * 1/2012 Smith D13/138.1
D653,615 S * 2/2012 Au D13/108

D655,243 S * 3/2012 Au D13/108
D677,223 S * 3/2013 Cho D13/110
D731,970 S * 6/2015 Kamath D13/110
D732,472 S * 6/2015 Laffon D13/110
D741,796 S * 10/2015 Robinson D13/103

* cited by examiner

Primary Examiner — Daniel Bui

(74) *Attorney, Agent, or Firm* — K&L Gates LLP

(57) **CLAIM**

The ornamental design for a power adapter, as shown and described.

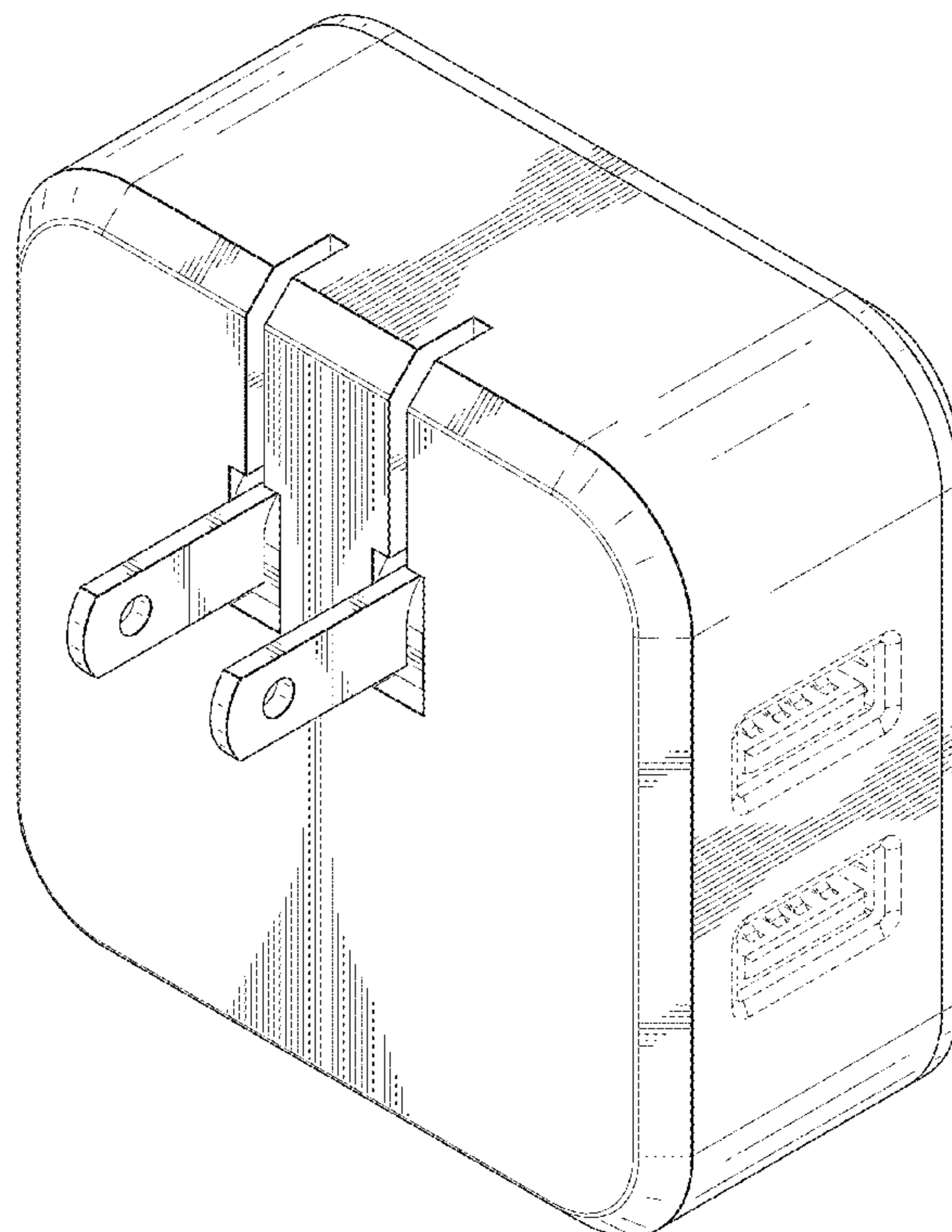
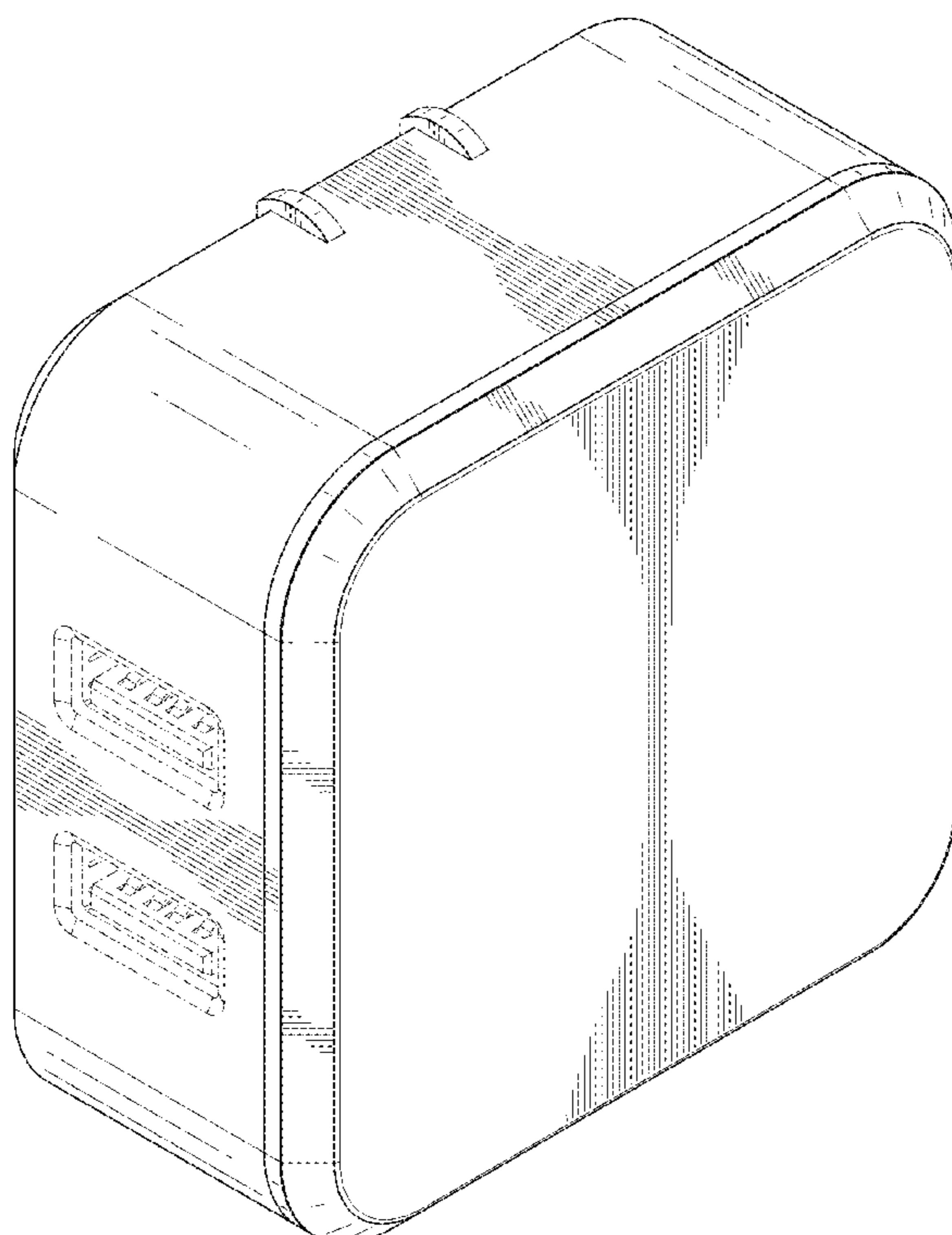
DESCRIPTION

FIG. 1 is a front, top and left perspective view of a power adapter showing our new design;
FIG. 2 is a front elevation view thereof;
FIG. 3 is a rear elevation view thereof;
FIG. 4 is a right side elevation view thereof;
FIG. 5 is a left side elevation view thereof;
FIG. 6 is a top plan view thereof;
FIG. 7 is a bottom plan view thereof;
FIG. 8 is a rear, top and left perspective view thereof; and,
FIG. 9 is a rear, top and left perspective view thereof, in an alternate position.

The broken line shown in the drawing views represents unclaimed portions of the power adapter, and forms no part of the claimed design.

The portions including surface shading represent contour and not surface ornamentation.

1 Claim, 8 Drawing Sheets



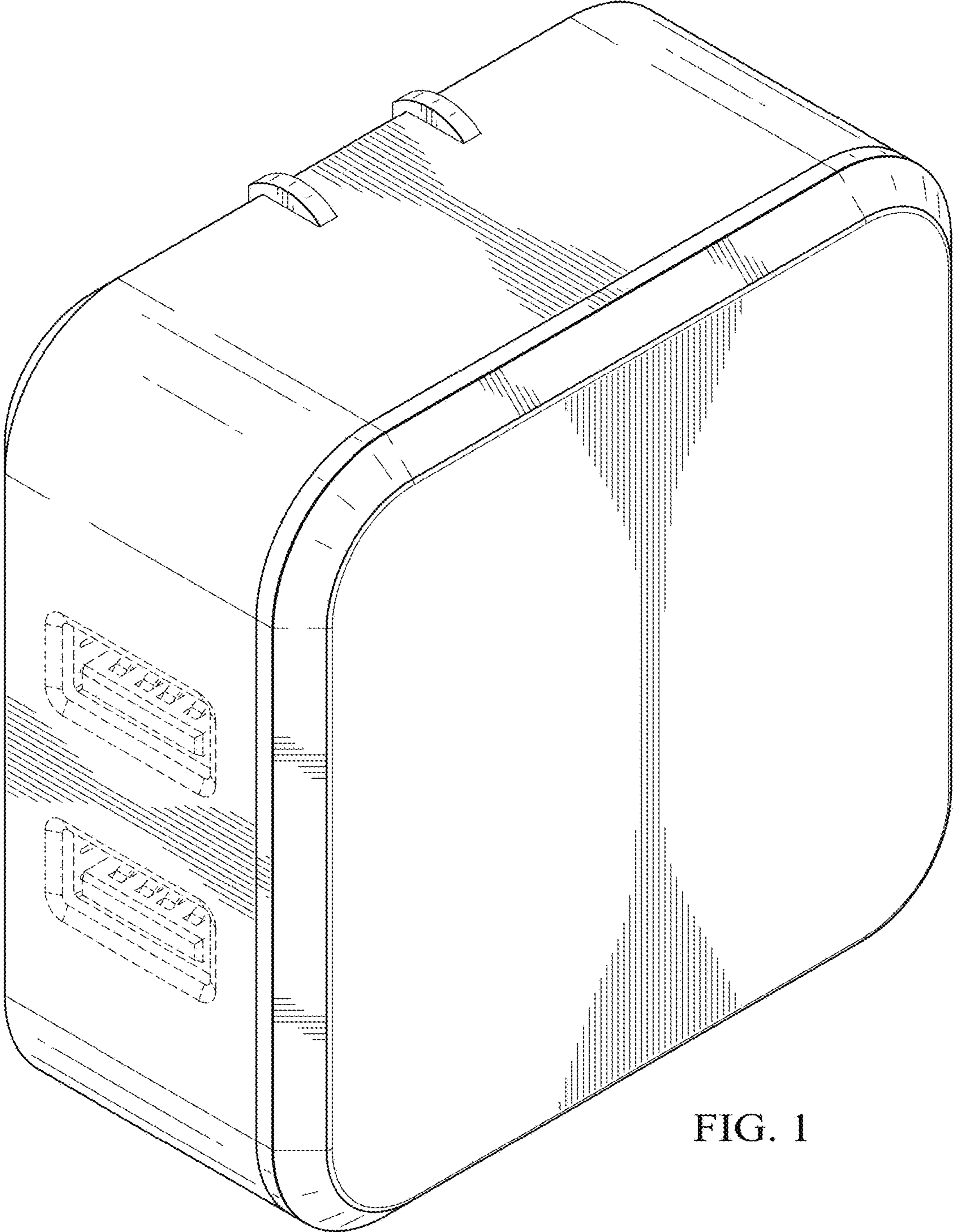


FIG. 1

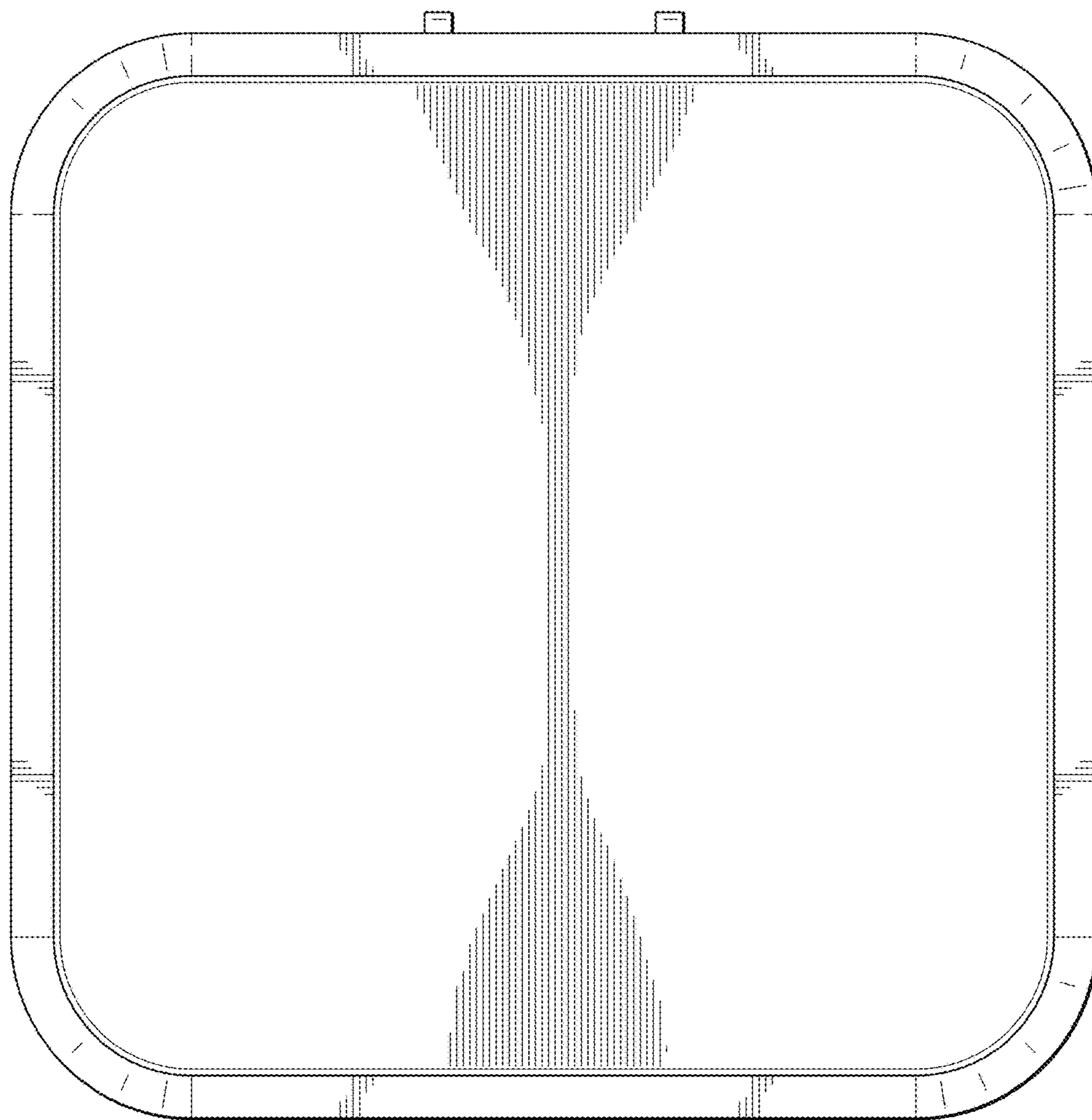


FIG. 2

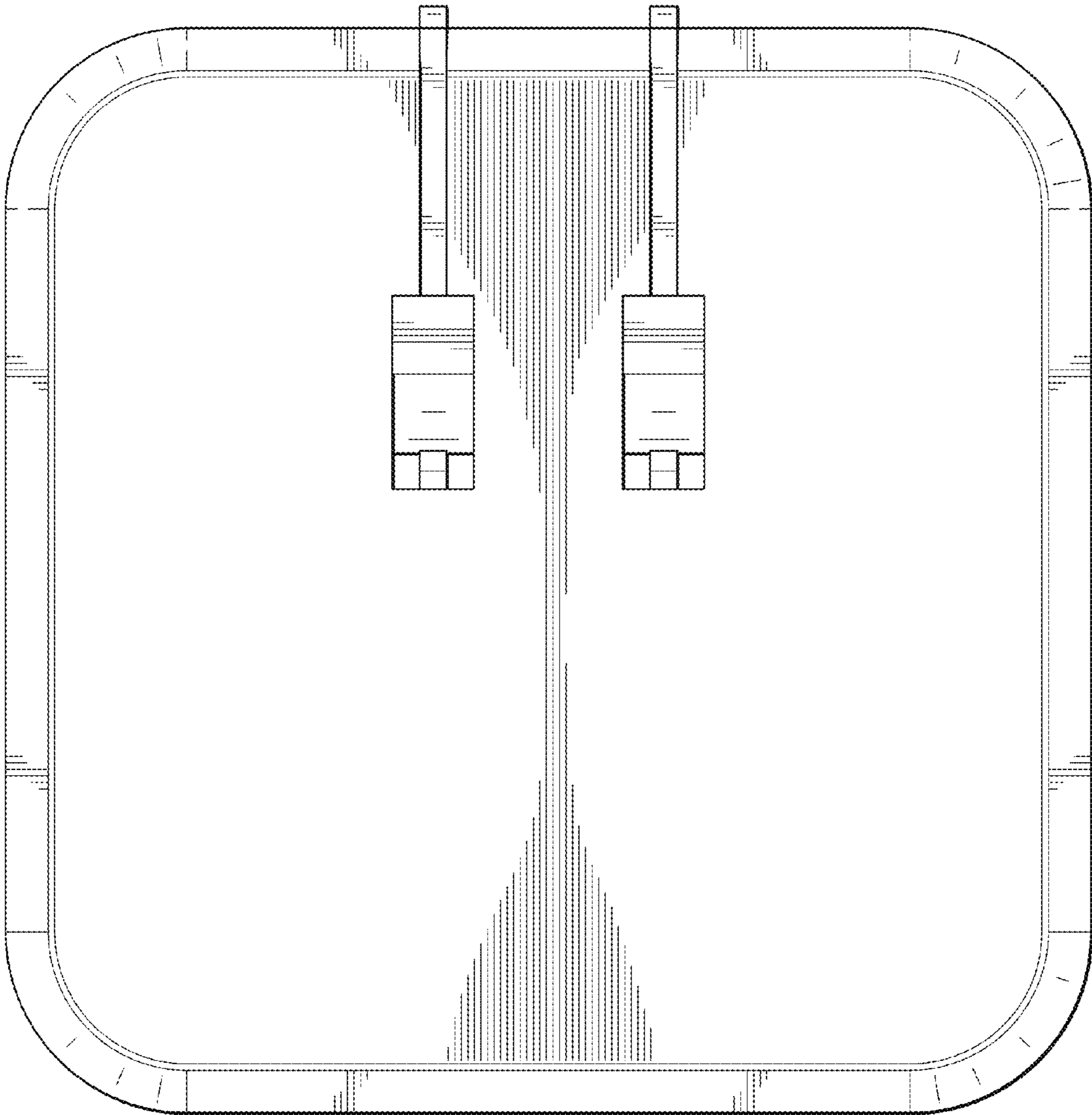


FIG. 3

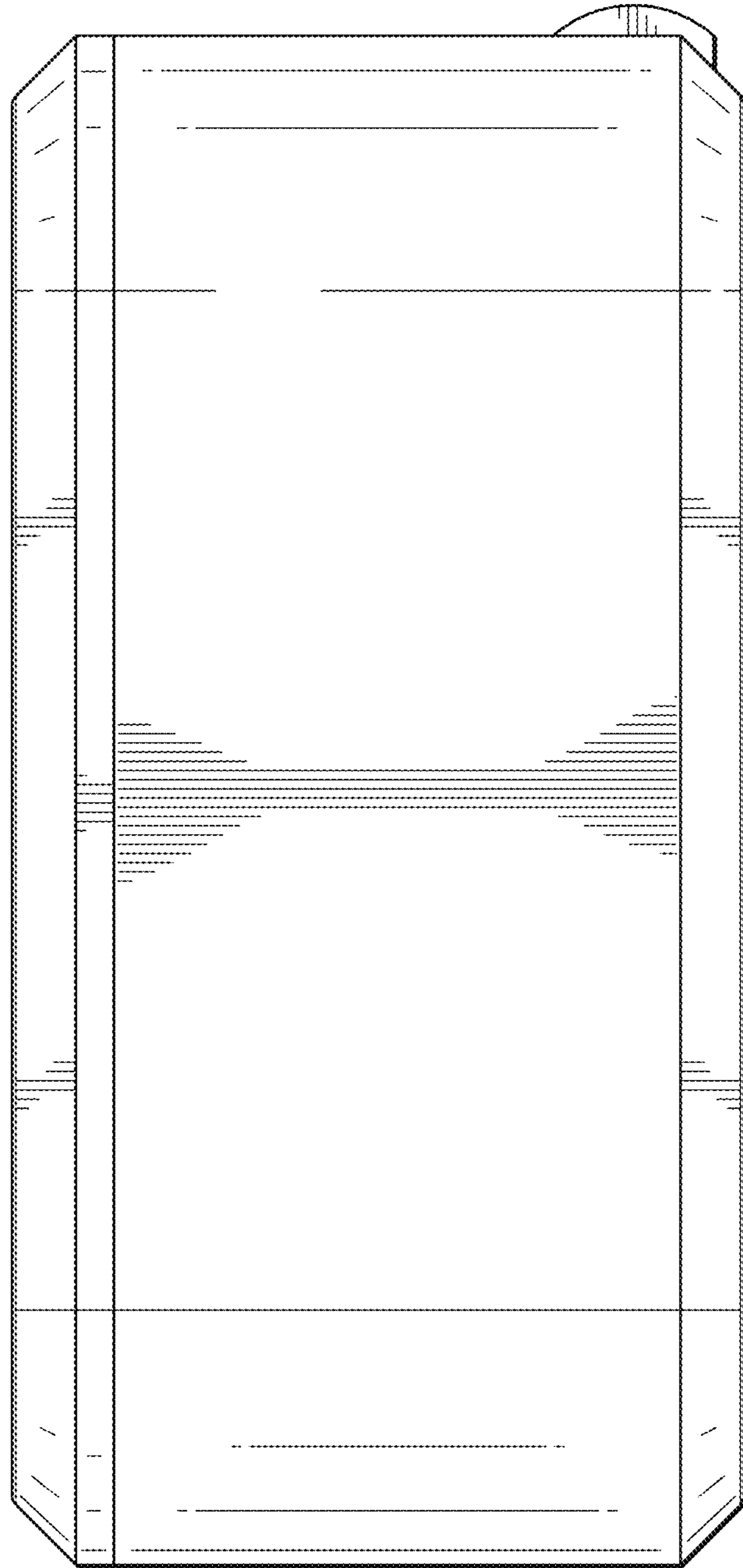


FIG. 4

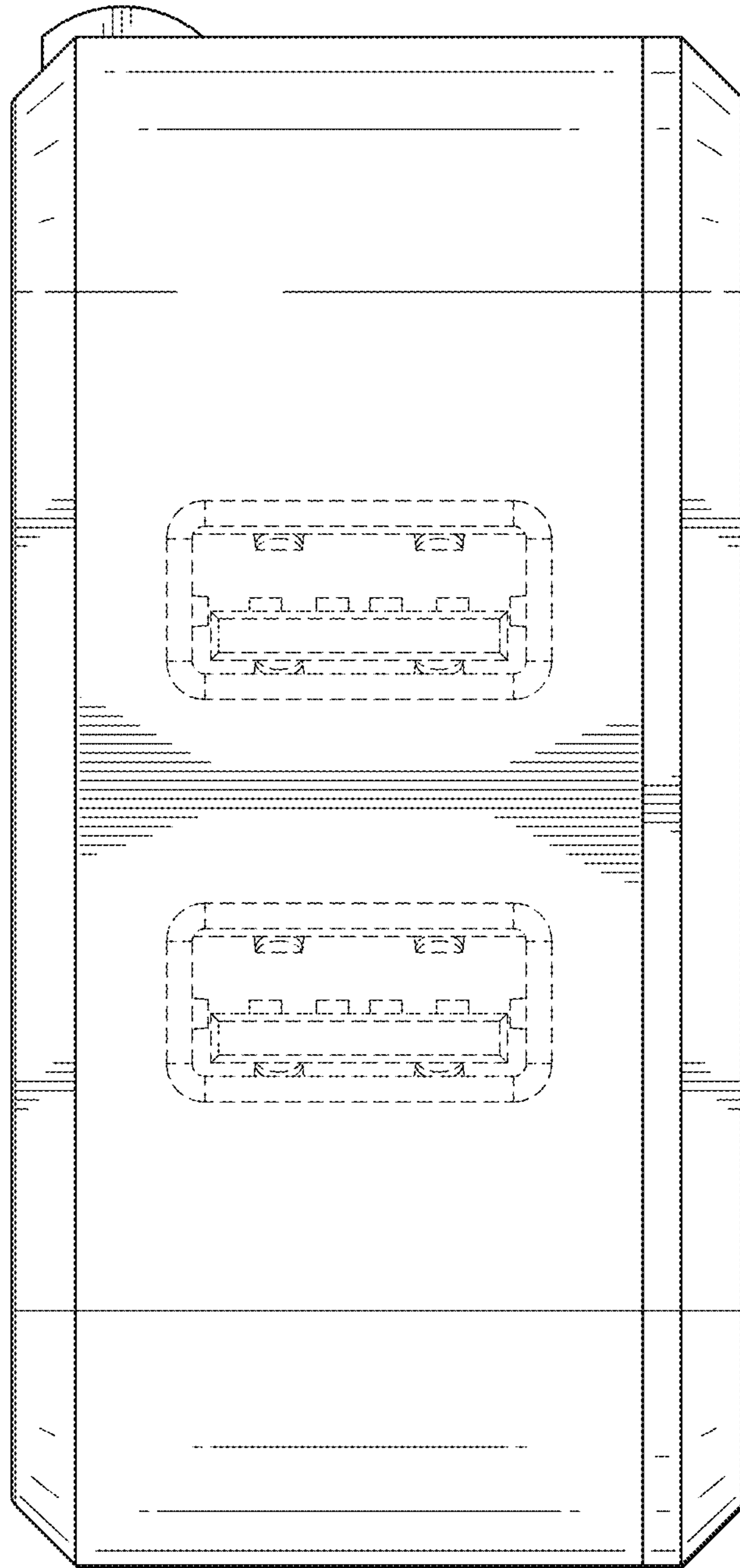


FIG. 5

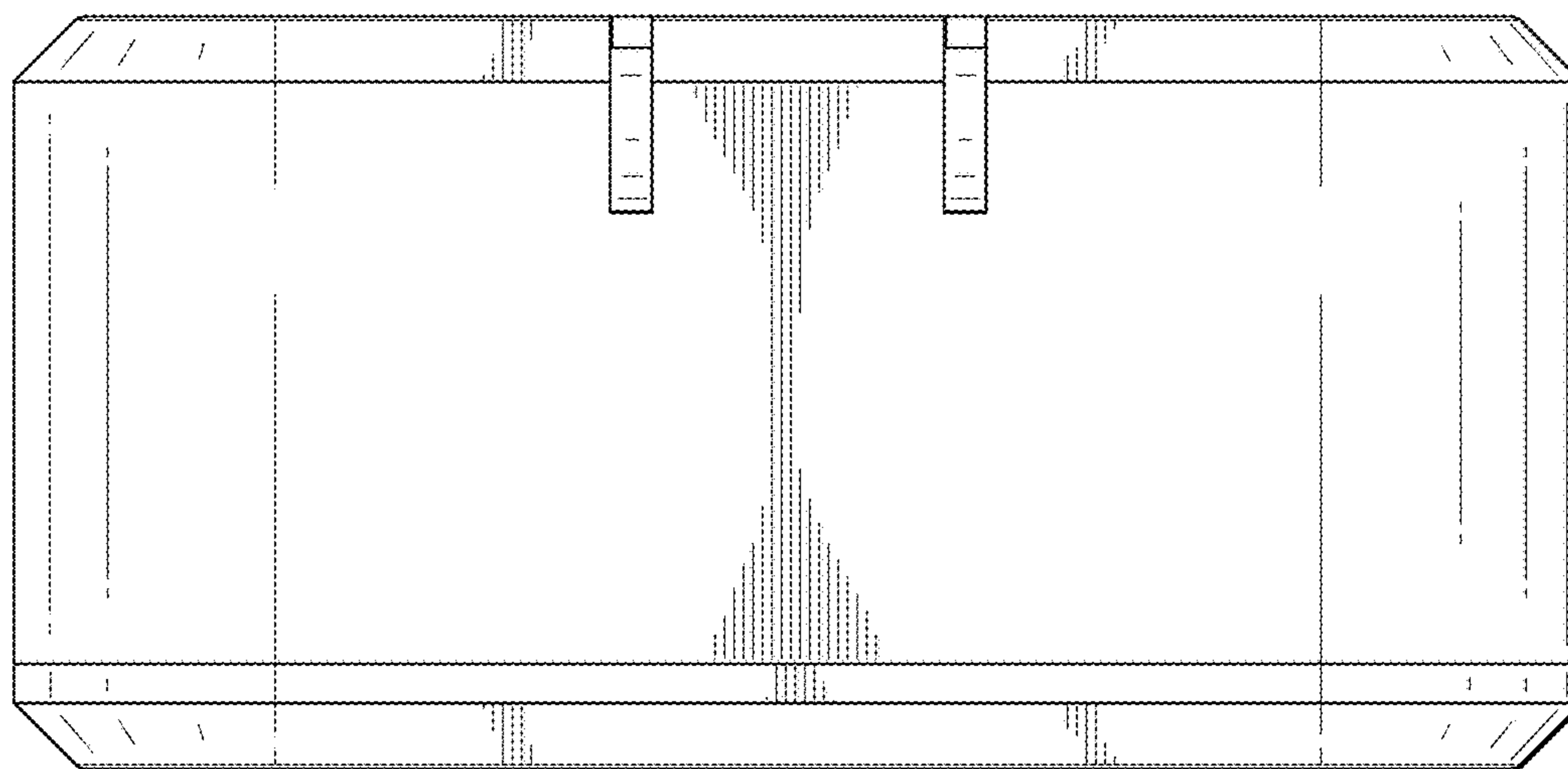


FIG. 6

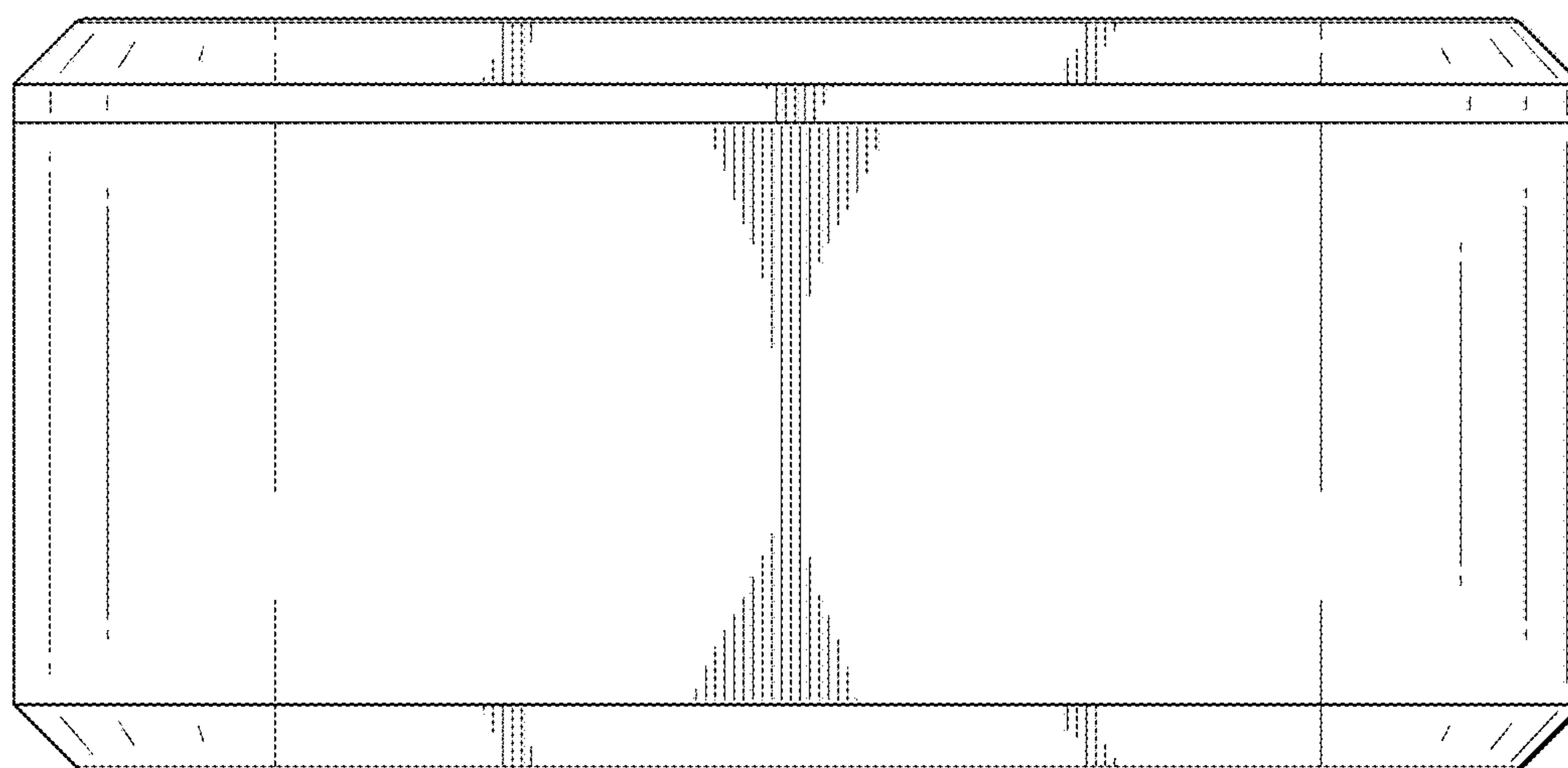


FIG. 7

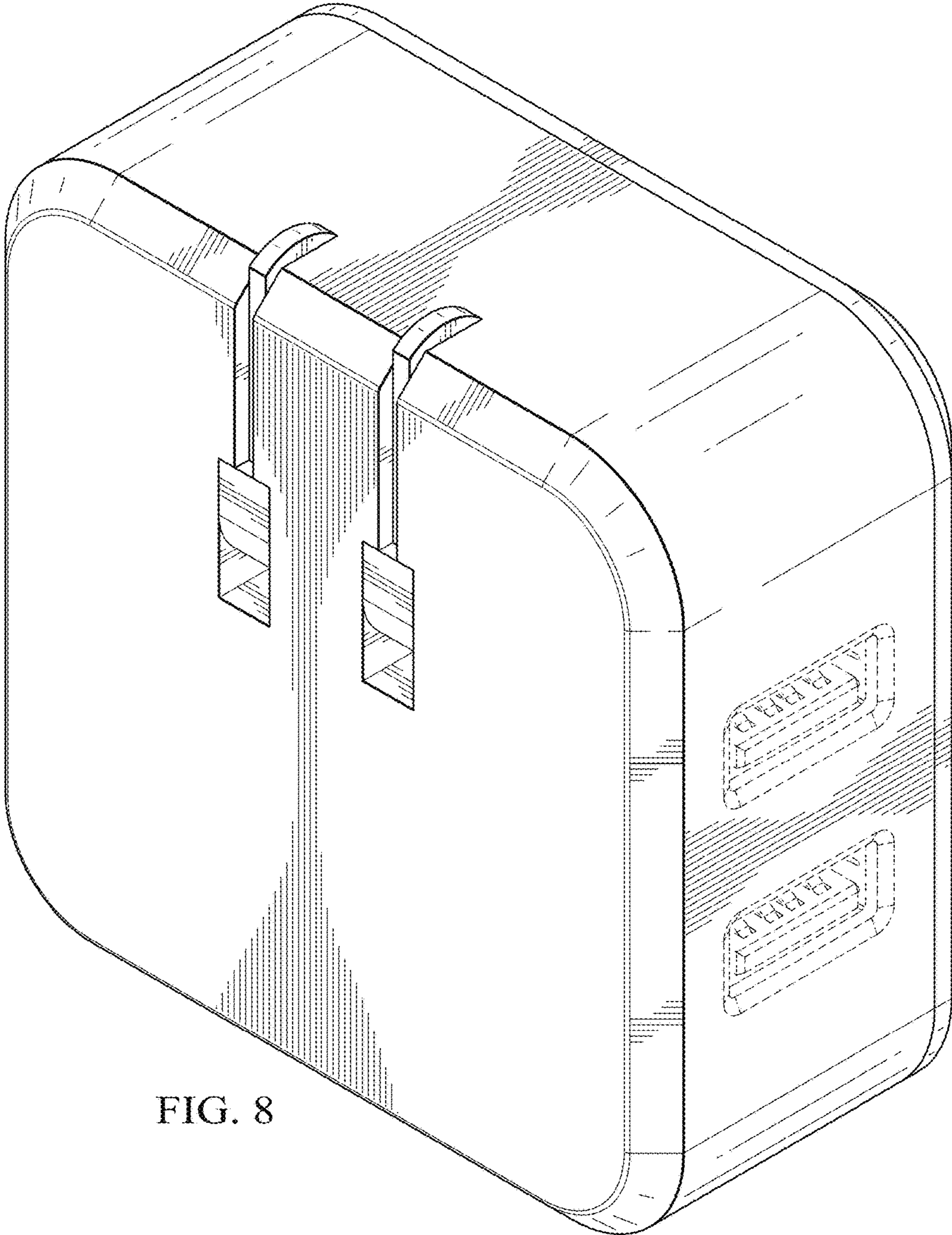


FIG. 8

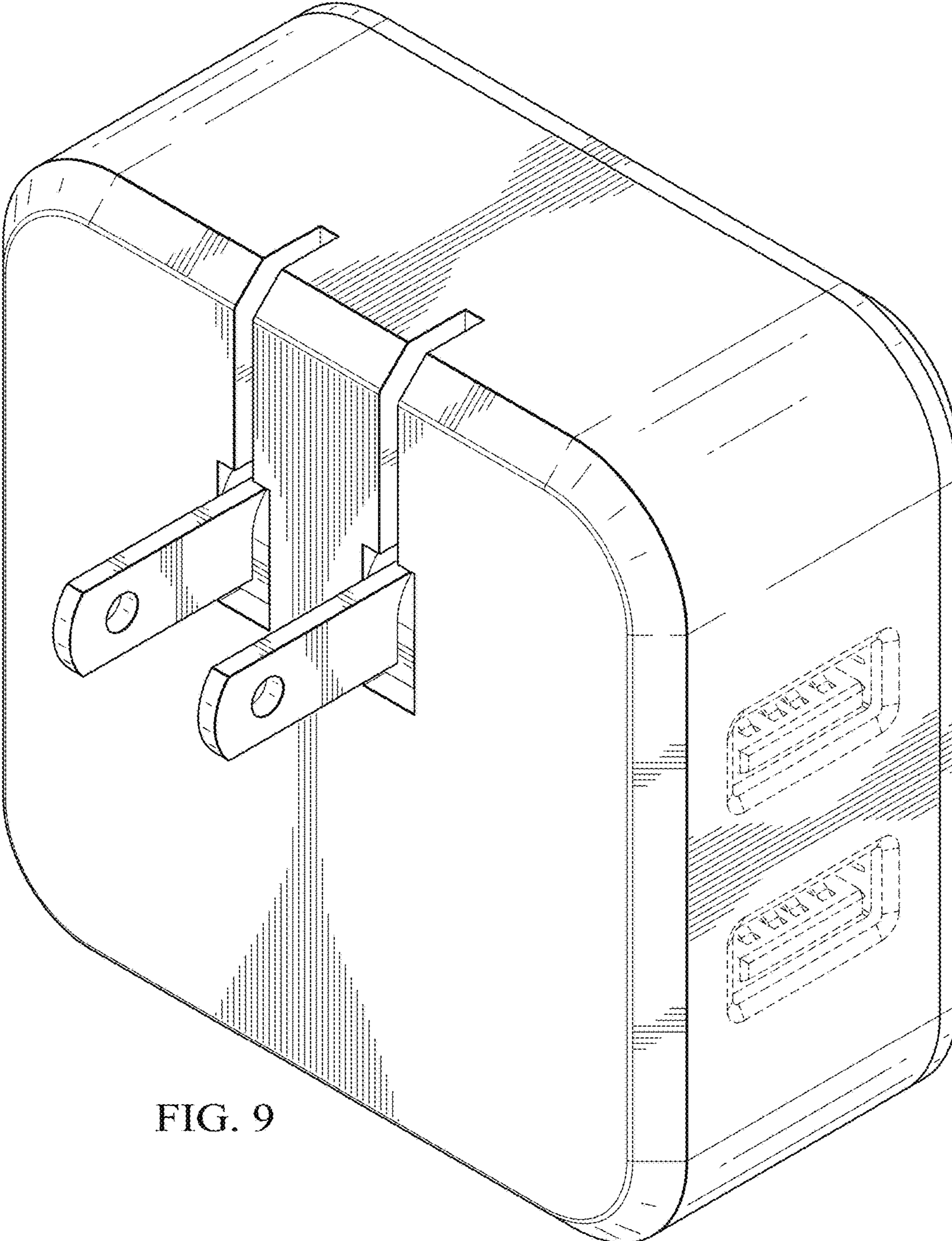


FIG. 9