



US00D820206S

(12) **United States Design Patent**  
**Cai**

(10) **Patent No.:** **US D820,206 S**  
(45) **Date of Patent:** **\*\* Jun. 12, 2018**

(54) <b>WALL CHARGER</b>	7,503,779 B1 * 3/2009 Yang ..... H01R 35/04 439/131
(71) Applicant: <b>XINJI (SHENZHEN) COMPUTER PARTS Co., Ltd</b> , Shenzhen, Guangdong (CN)	D638,355 S * 5/2011 Chen ..... D13/110 D665,734 S * 8/2012 Fitch ..... D13/107 D687,375 S * 8/2013 Franco ..... D13/108 D731,419 S * 6/2015 Kao ..... D13/108 D746,771 S * 1/2016 Perez ..... D13/108 D756,915 S * 5/2016 Yang ..... D13/108 D763,790 S * 8/2016 Lei ..... D13/108 D783,526 S * 4/2017 Warren ..... D13/108
(72) Inventor: <b>Wenjuan Cai</b> , Guangdong (CN)	2010/0117597 A1 * 5/2010 Wang ..... H02J 7/0042 320/111
(73) Assignee: <b>XINJI (SHENZHEN) COMPUTER PARTS CO., LTD</b> , Shenzhen (CN)	

(\*\*) Term: **15 Years**

\* cited by examiner

(21) Appl. No.: **29/585,498**

*Primary Examiner* — Rosemary K Tarcza

*Assistant Examiner* — Nathaniel D. Buckner

(22) Filed: **Nov. 23, 2016**

(30) **Foreign Application Priority Data**

Nov. 1, 2016 (CN) ..... 2016 3 0522192

(51) **LOC (11) Cl.** ..... **13-02**

(52) **U.S. Cl.**  
USPC ..... **D13/108**

(58) **Field of Classification Search**

USPC ..... D13/107–110, 118–119, 184; D14/251,  
D14/253, 432, 434  
CPC ..... Y02E 60/12; Y02T 90/14; Y02T 90/122;  
Y02T 90/128; Y02T 90/163; H02J 7/025;  
H02J 7/0042; H02J 7/0044; H02J 7/0045;  
H02J 7/0003; H01F 38/14; H01R  
13/6675; H01M 2/1022; H01M 2/1055;  
H01M 10/44; H01M 10/46; H01M  
10/425; B60L 11/182

See application file for complete search history.

(56) **References Cited**

**U.S. PATENT DOCUMENTS**

D247,619 S \* 3/1978 Edgell ..... D13/103  
D565,571 S \* 4/2008 Trifilio ..... D14/356

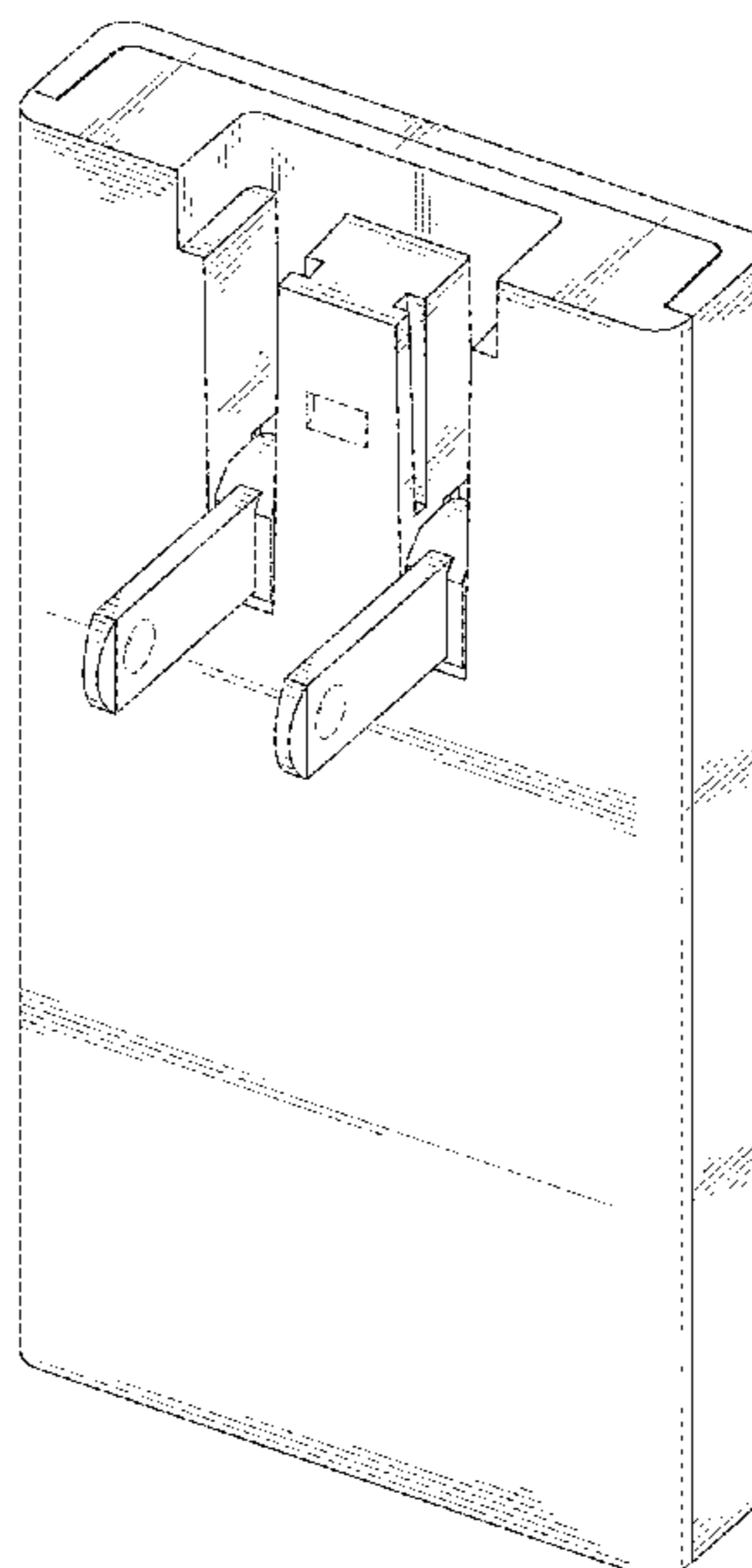
(57) **CLAIM**

The ornamental design for a wall charger, as shown and described.

**DESCRIPTION**

FIG. 1 is a front elevational view of a wall charger showing my new design;  
FIG. 2 is a rear elevational view thereof;  
FIG. 3 is a left side view thereof;  
FIG. 4 is a right side view thereof;  
FIG. 5 is a top plan view thereof;  
FIG. 6 is a bottom plan view thereof;  
FIG. 7 is a top left perspective view thereof;  
FIG. 8 is a top right rear perspective view thereof;  
FIG. 9 is a bottom left front perspective view;  
FIG. 10 is a top left perspective view thereof, shown in an alternate position; and,  
FIG. 11 is a top left rear perspective view thereof, shown in an alternate position.  
The broken lines in the drawings illustrate portions of the wall charger which form no part of the claimed design.

**1 Claim, 11 Drawing Sheets**



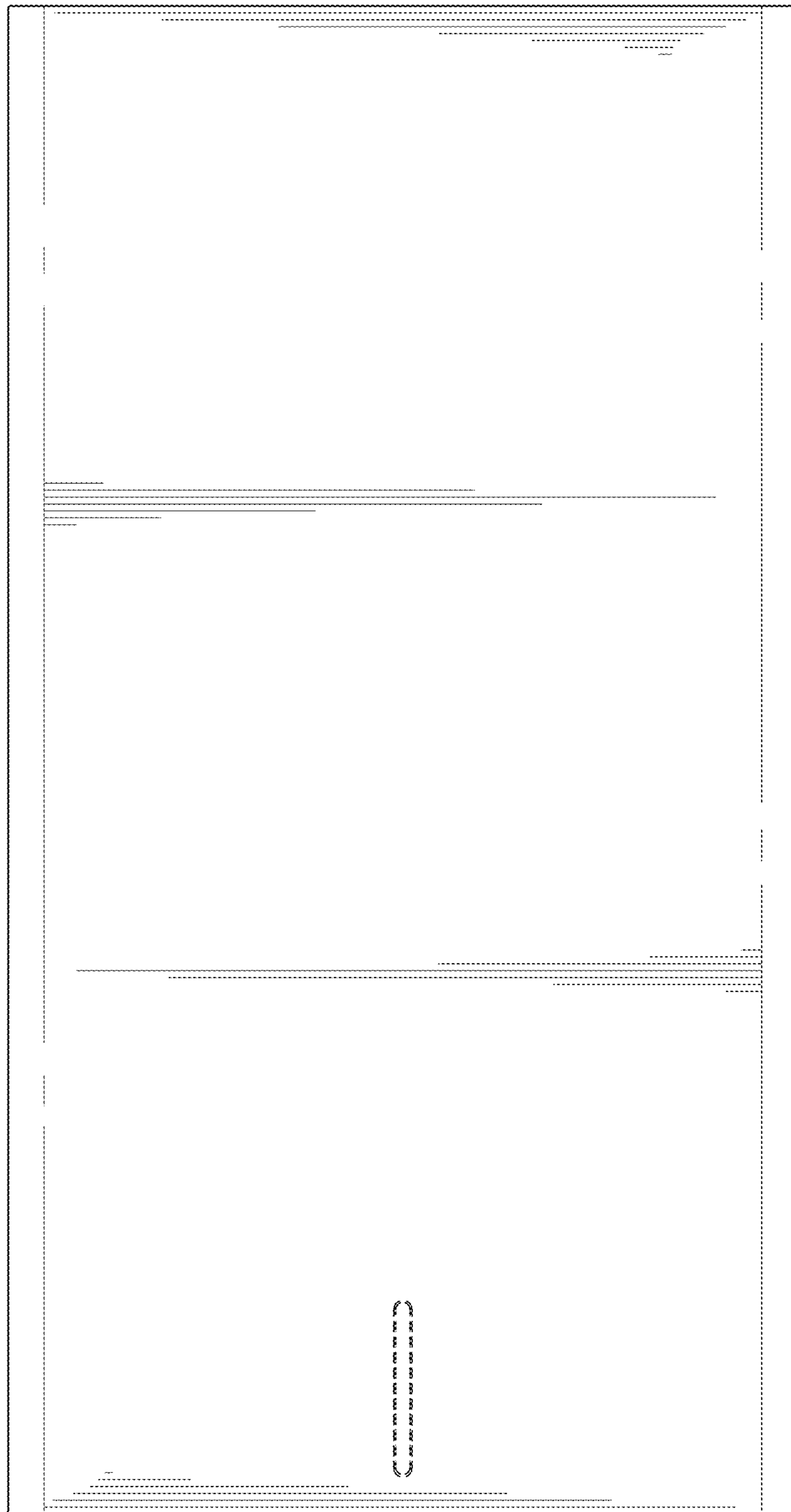


Fig. 1

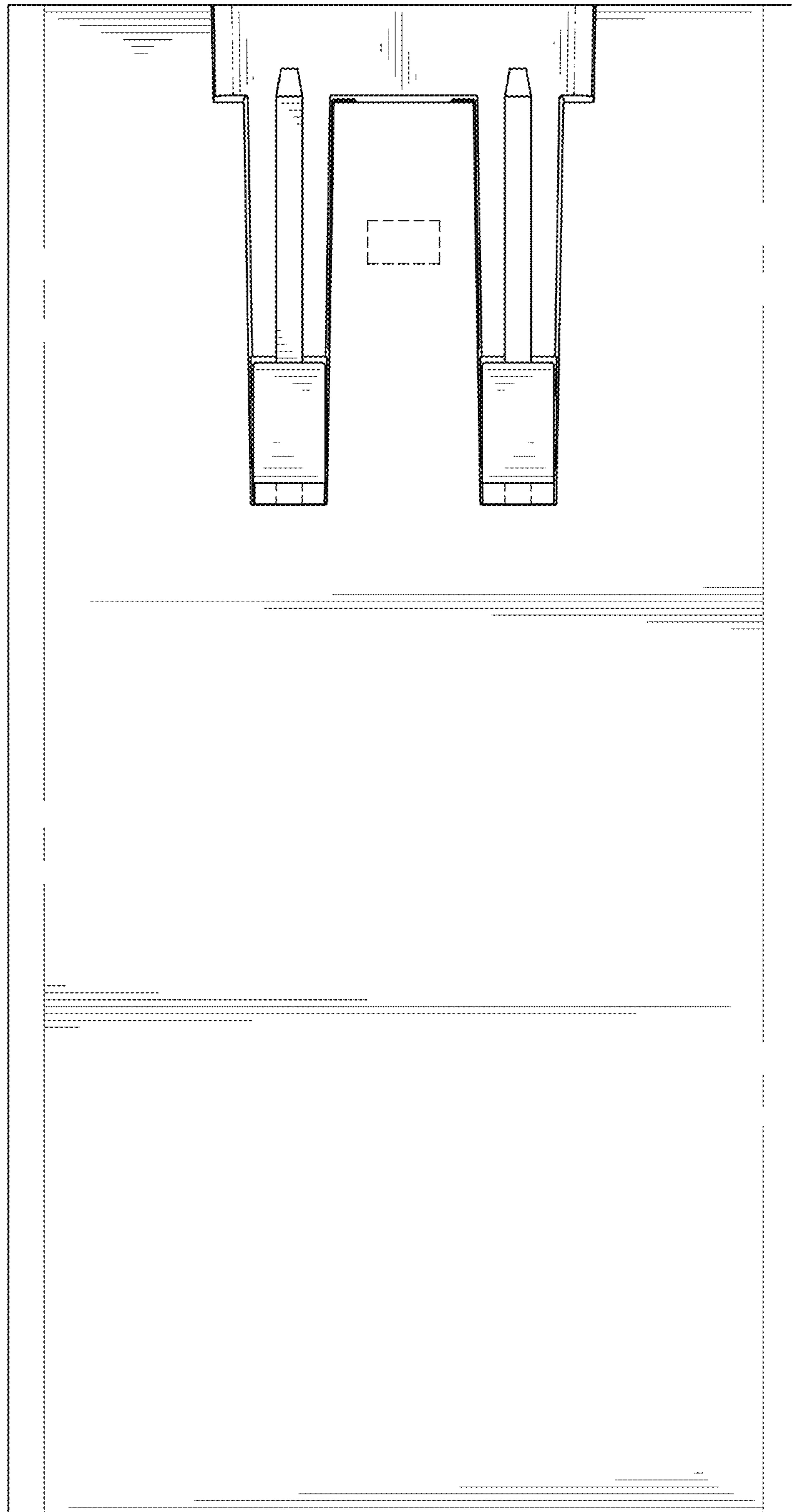


Fig. 2

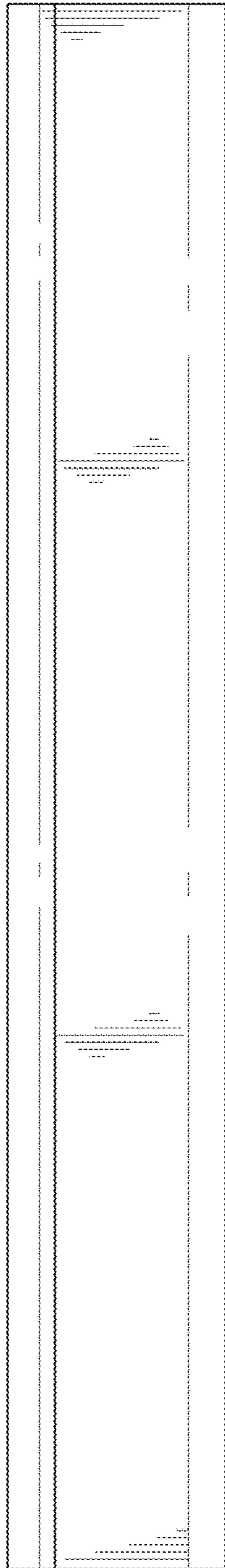


Fig. 3

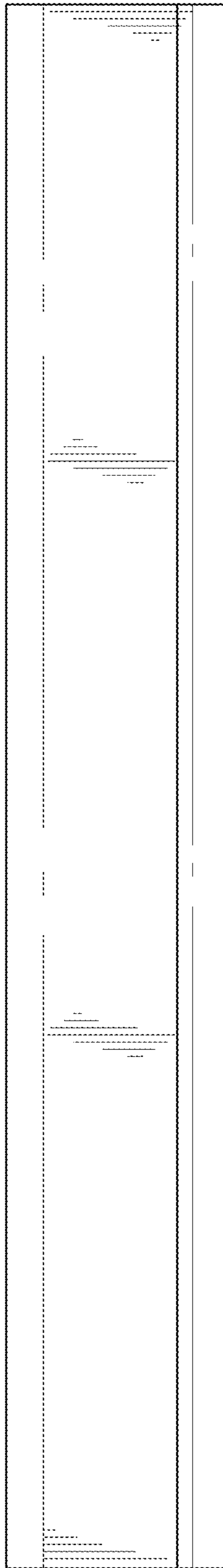


Fig. 4

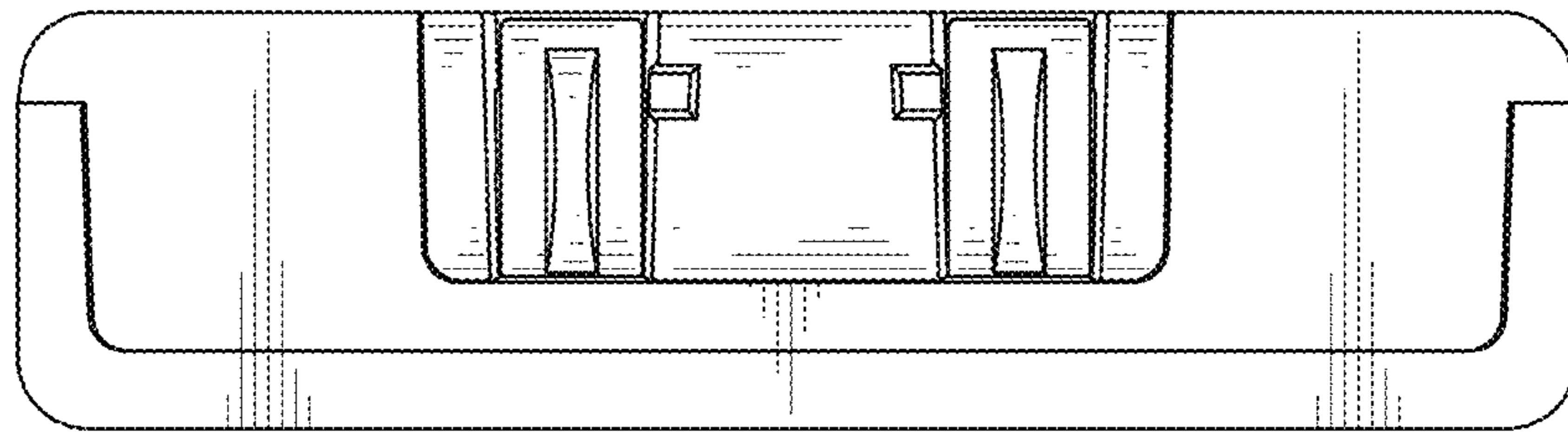


Fig. 5

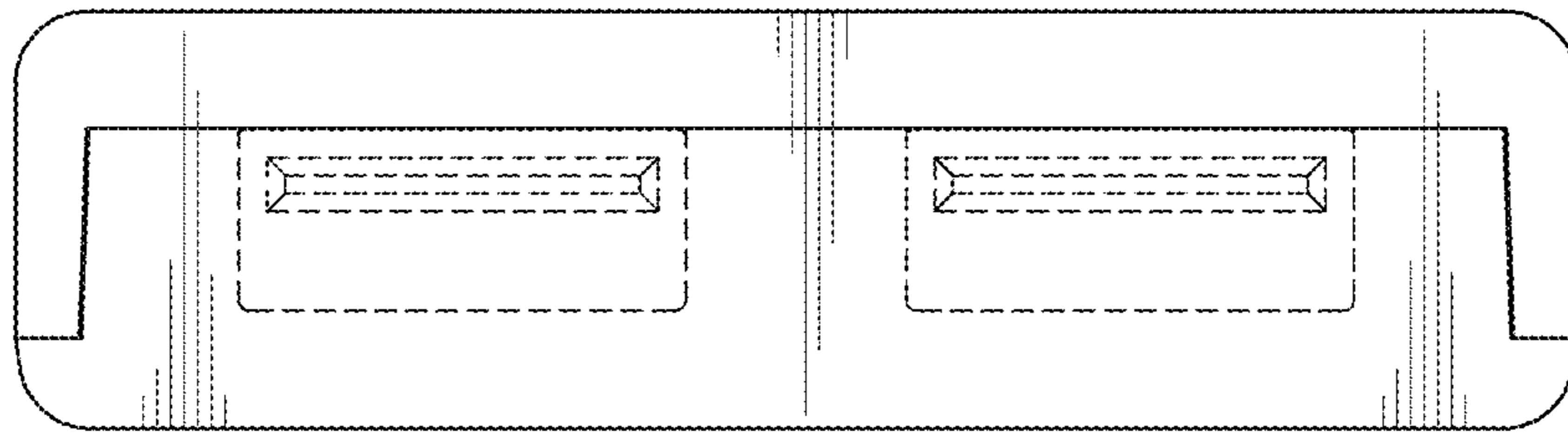


Fig. 6

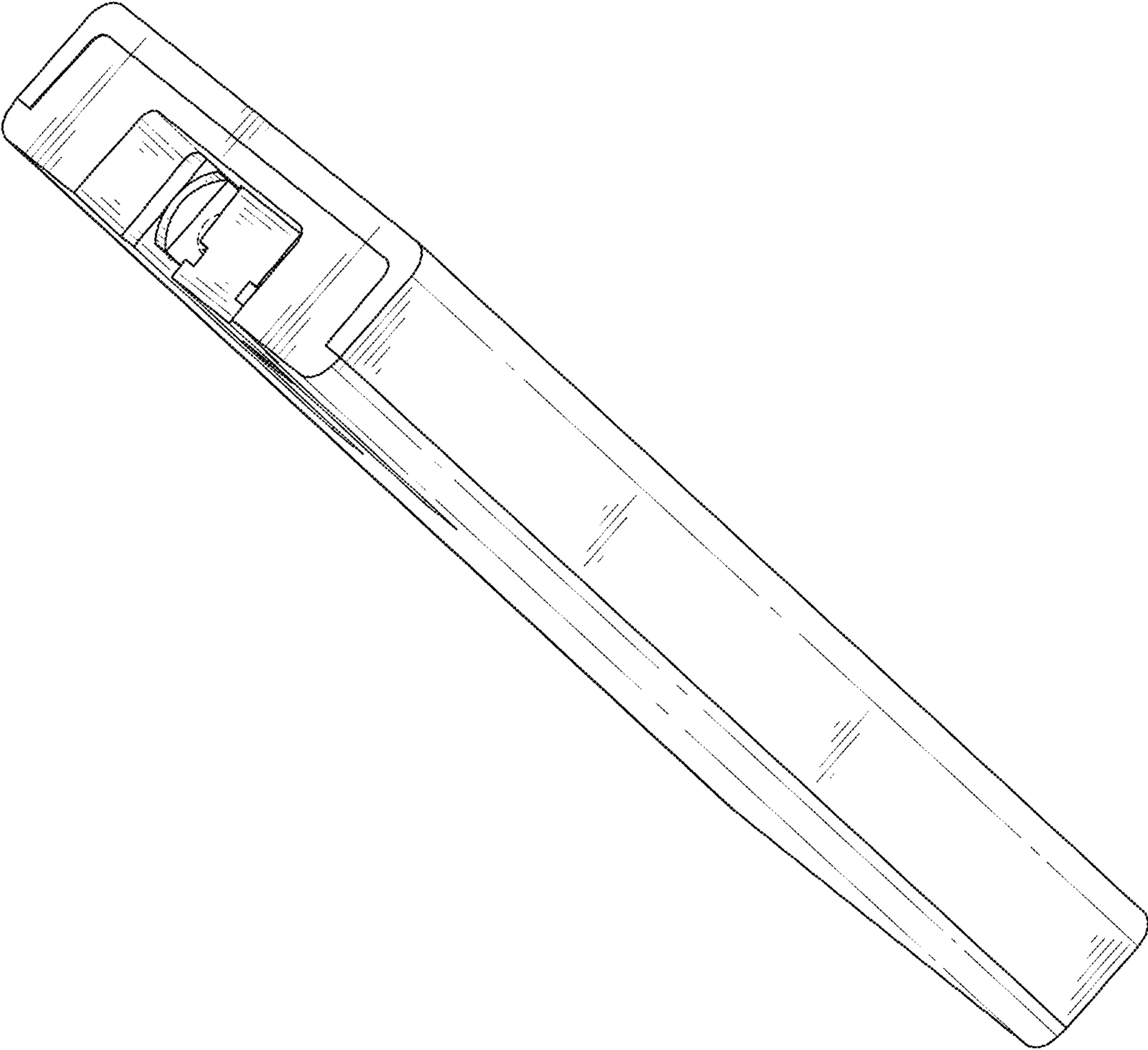


Fig. 7



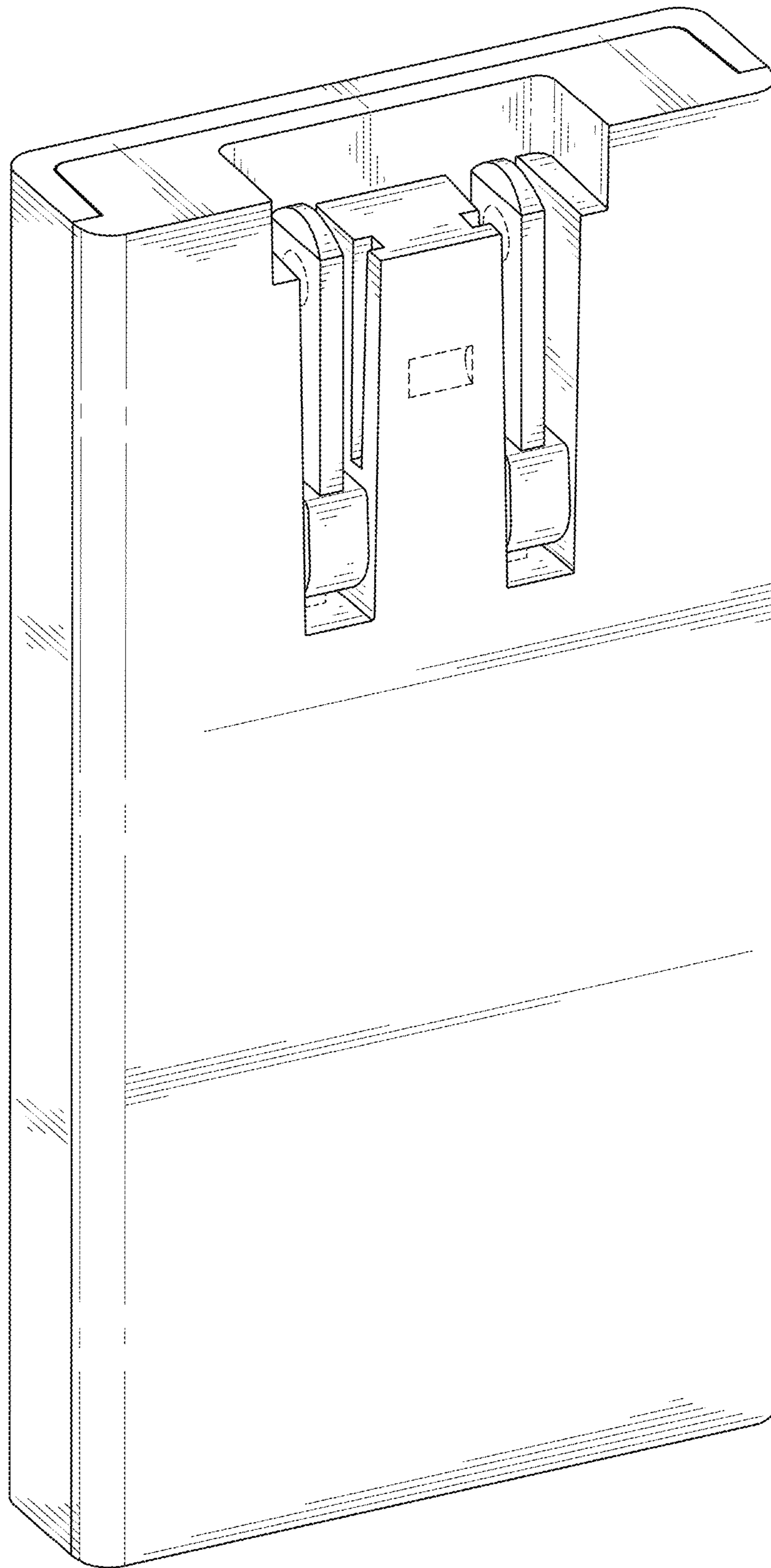


Fig. 8

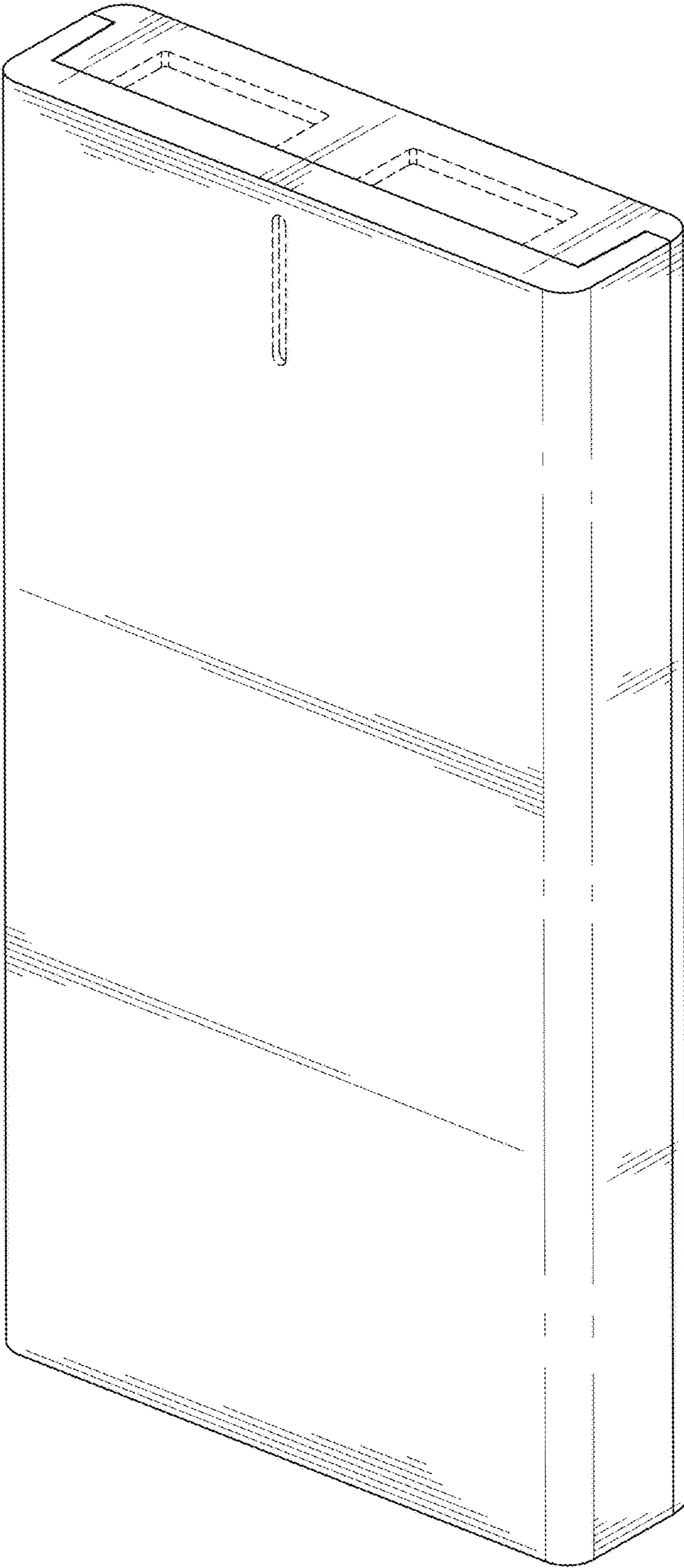


Fig. 9

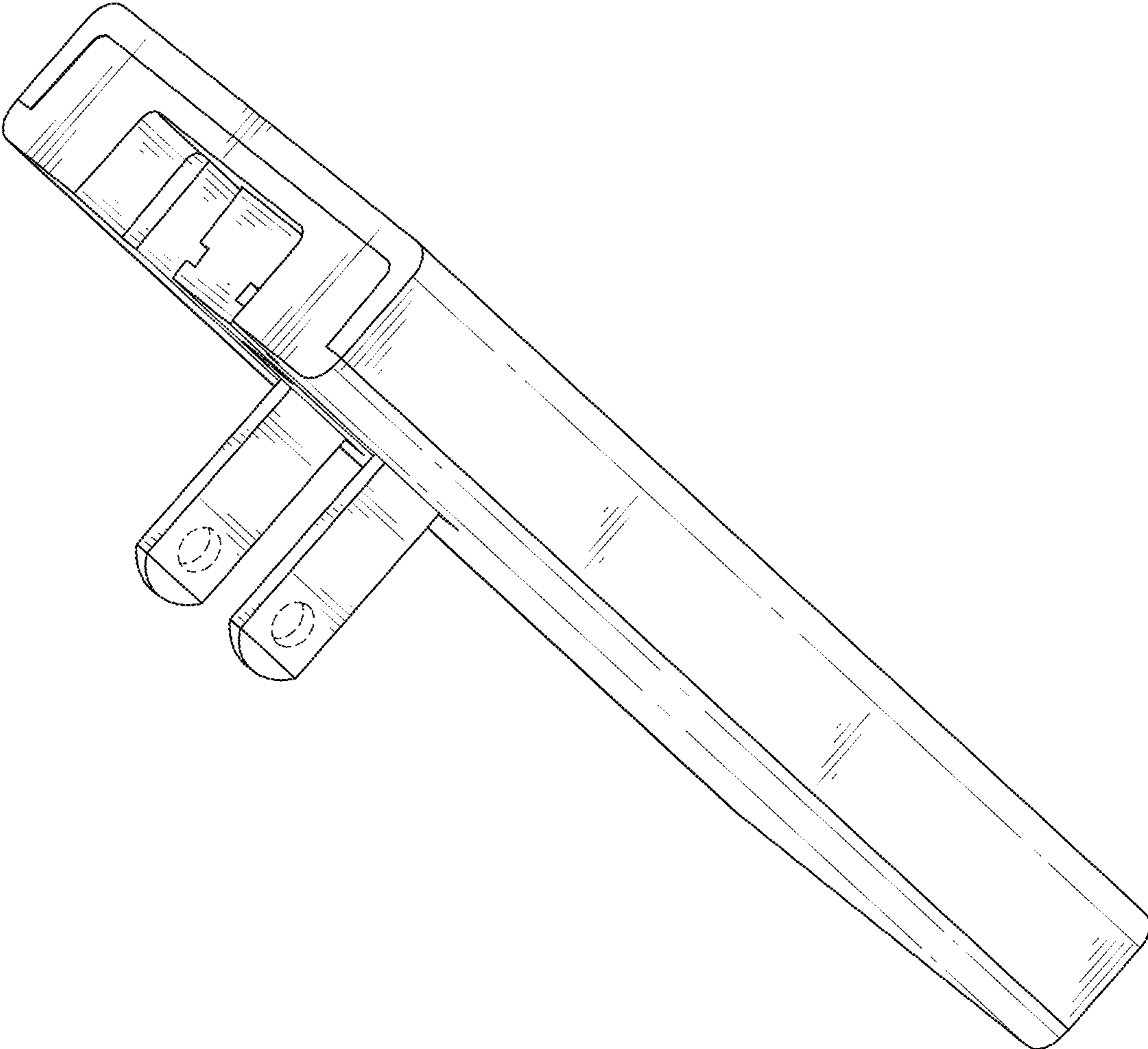


Fig. 10

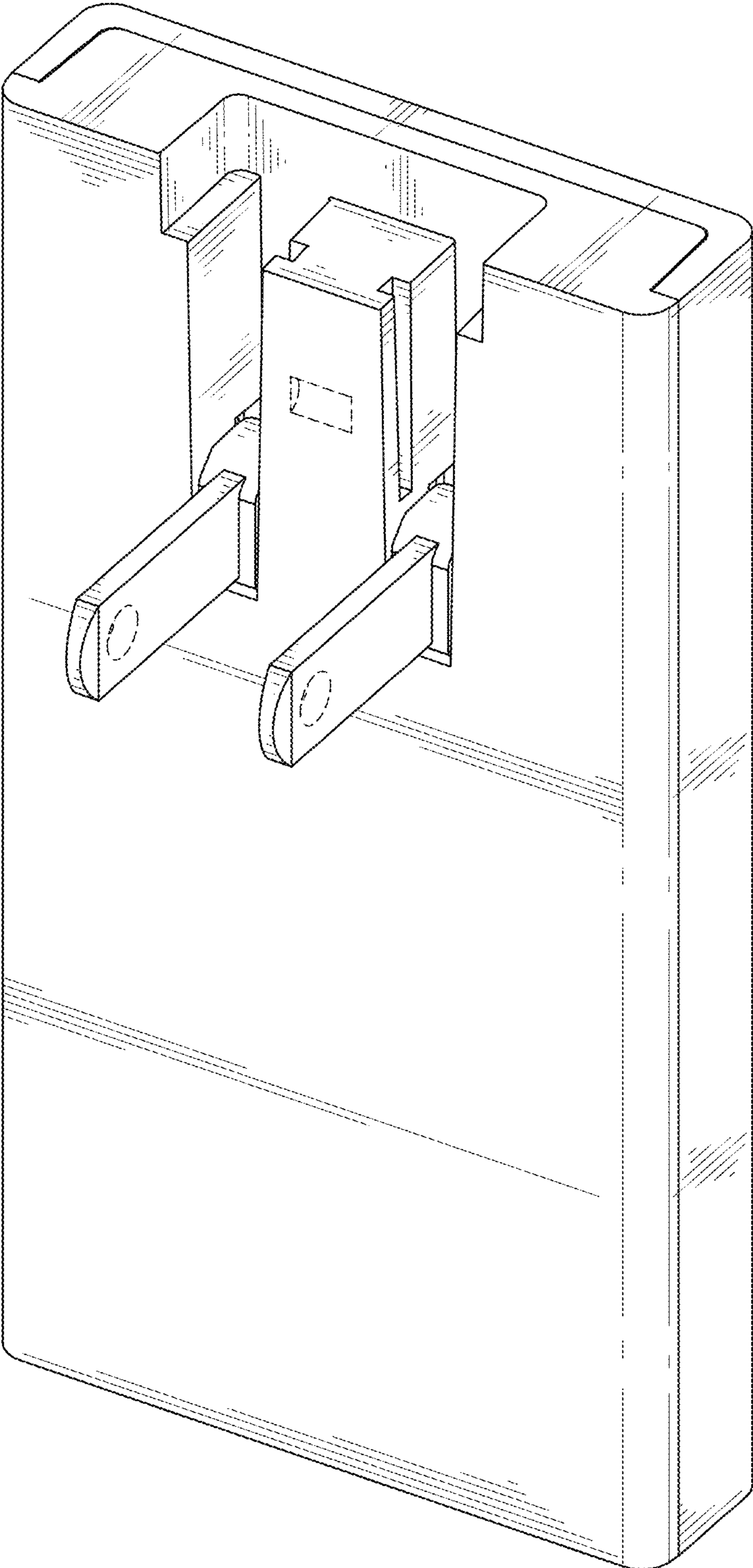


Fig. 11