



US00D820205S

(12) **United States Design Patent**
Yang et al.

(10) **Patent No.:** **US D820,205 S**
(45) **Date of Patent:** **** Jun. 12, 2018**

(54) **CHARGER**

60/50; Y02T 90/14; Y02T 90/122; Y02T 90/128; Y02T 90/163; H05K 11/02

(71) Applicant: **Ningbo Gude Electronic Technology Co., Ltd**, Zhejiang Province (CN)

See application file for complete search history.

(72) Inventors: **Zhaolin Yang**, Zhejiang Province (CN); **Jianrong Zhou**, Zhejiang Province (CN); **Jun Wang**, Zhejiang Province (CN); **Shilin Wang**, Zhejiang Province (CN); **Weijun Pan**, Zhejiang Province (CN)

(56) **References Cited**

U.S. PATENT DOCUMENTS

D505,388	S	*	5/2005	Krieger	D13/107
D508,675	S	*	8/2005	Krieger	D13/107
D545,760	S	*	7/2007	Concari	D13/107
D562,231	S	*	2/2008	Osiecki	D13/107
D609,632	S	*	2/2010	Daniels	D13/107
D684,116	S	*	6/2013	Inskeep	D13/107
D689,432	S	*	9/2013	Itoh	D13/103
D722,954	S	*	2/2015	James	D13/107
D725,031	S	*	3/2015	Tinius	D13/103
D782,182	S	*	3/2017	Schaub	D13/120
D783,534	S	*	4/2017	Visel	D13/133
2013/0093253	A1	*	4/2013	Norconk	H02J 5/005 307/104

(**) Term: **15 Years**

(21) Appl. No.: **29/608,726**

(22) Filed: **Jun. 26, 2017**

(51) **LOC (11) Cl.** **13-02**

(52) **U.S. Cl.**
USPC **D13/107**

(58) **Field of Classification Search**
USPC D13/102, 103, 104, 105, 106, 107, 108, D13/109, 110, 118, 119, 184, 199; D14/203.3-203.8, 217, 248, 250-253, D14/432, 434, 440, 450, 496; D3/201, D3/218, 269, 301, 273, 303
CPC H02J 2001/008; H02J 3/32; H02J 3/008; H02J 7/0027; H02J 7/0013; H02J 7/0054; H02J 7/00; H02J 7/025; H02J 7/0042; H02J 7/0044; H02J 7/0045; H02J 7/0003; H02J 7/0055; H02J 7/0057; B60R 16/03; B60L 11/1809; B60L 11/1861; B60L 11/182; H01R 13/6675; H01R 13/70; H01R 13/71; H01R 13/66; H01R 2201/26; H01M 2/1022; H01M 2/1055; H01M 10/44; H01M 10/46; H01M 10/425; H01M 2/02; H01M 2/022; H01M 2/0202; H01M 2/0207; H01M 2/0212; H01M 10/4257; H01M 10/0436; H01M 10/48; H01M 2200/30; H01M 2250/30; H01M 2250/40; H01F 38/14; Y02E 60/12; Y02E 60/122; Y02E 60/124; Y02E

* cited by examiner

Primary Examiner — Rosemary K Tarcza
Assistant Examiner — Christy M Nemeth
(74) *Attorney, Agent, or Firm* — Prakash Nama; Global IP Services, PLLC

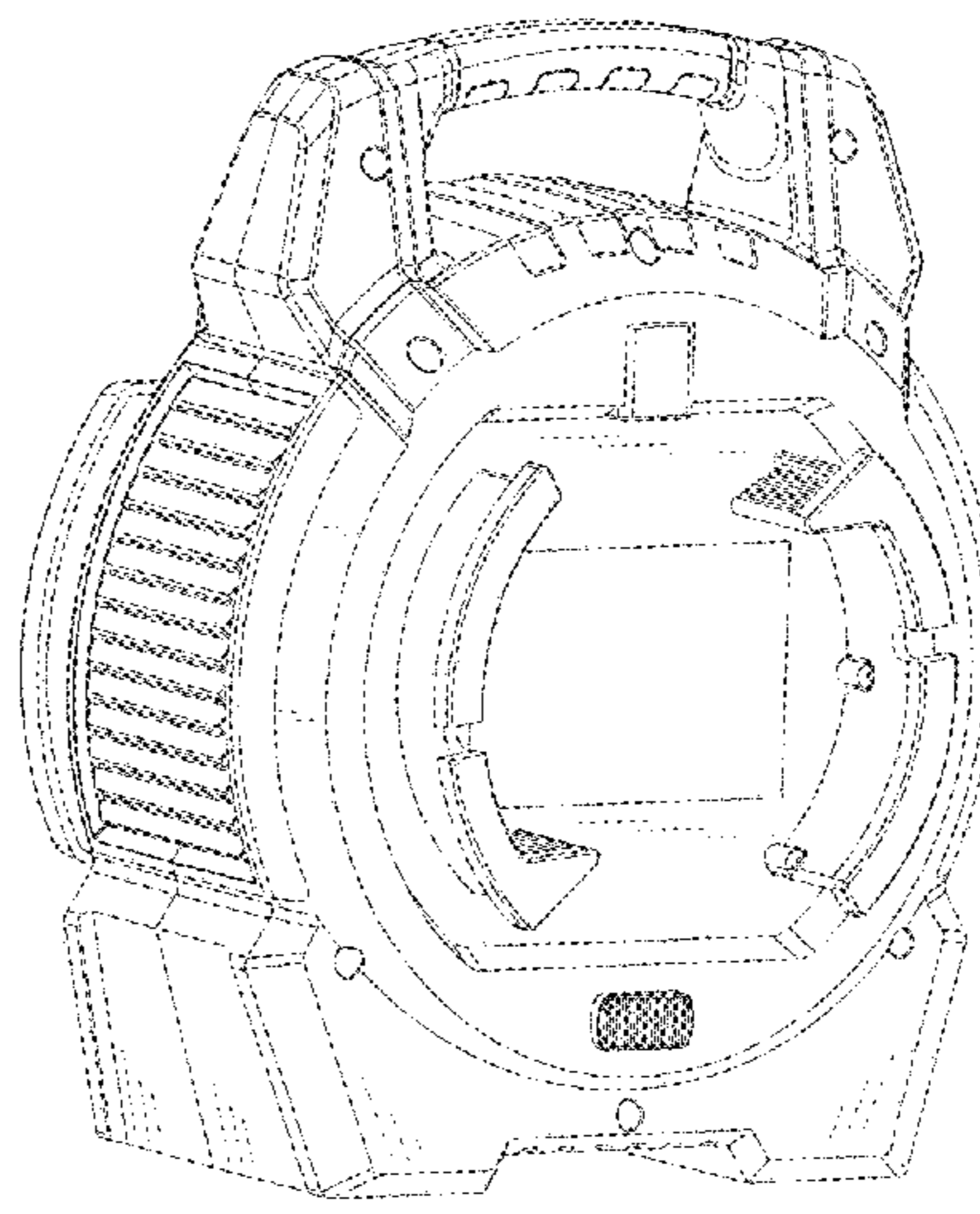
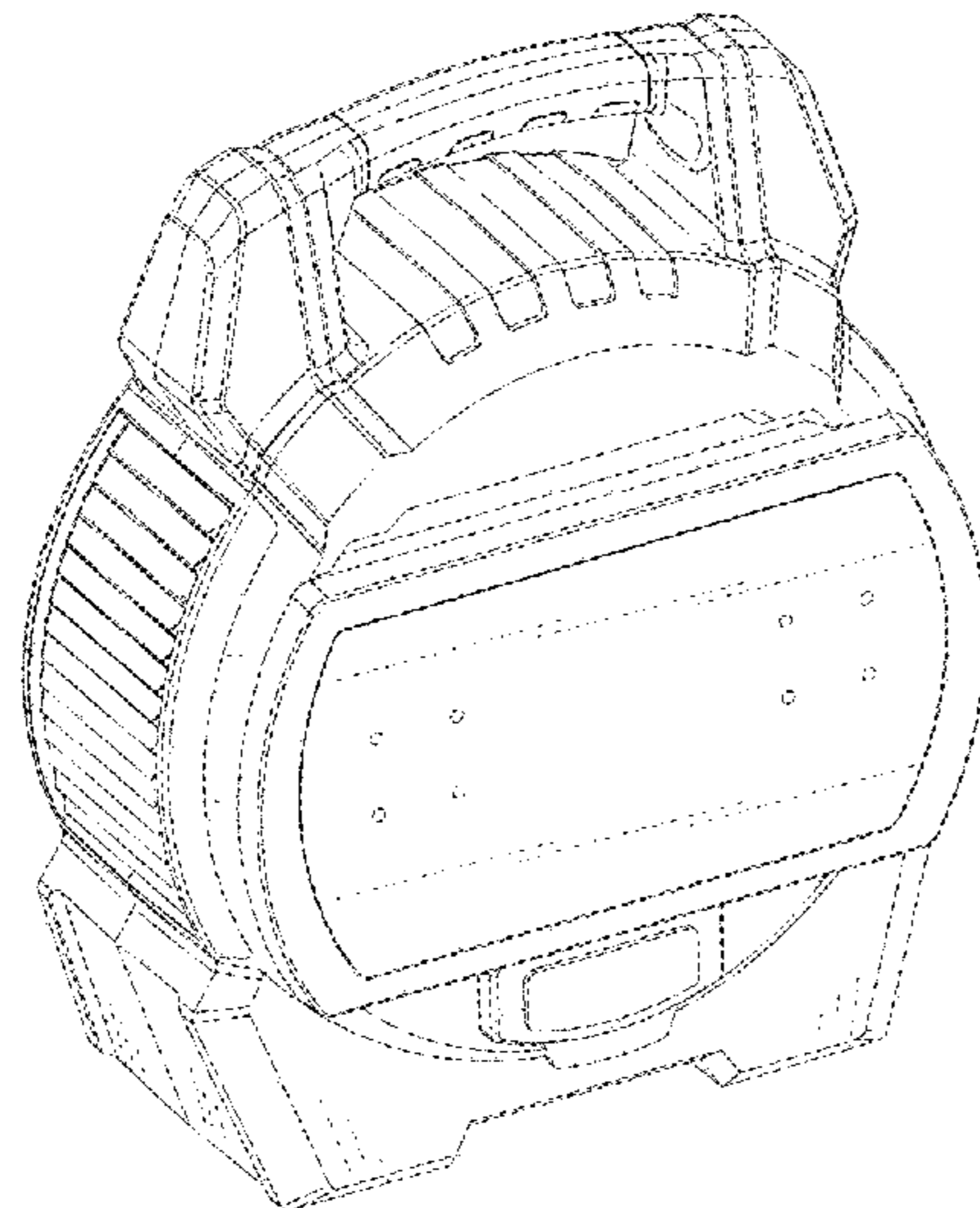
(57) **CLAIM**

The ornamental design for a charger, as shown.

DESCRIPTION

FIG. 1 is a front elevational view of a charger showing our new design;
FIG. 2 is a rear elevational view thereof;
FIG. 3 is a left side view thereof;
FIG. 4 is a right side view thereof;
FIG. 5 is a top plan view thereof;
FIG. 6 is a bottom plan view thereof;
FIG. 7 is a perspective view thereof; and,
FIG. 8 is another perspective view thereof.

1 Claim, 7 Drawing Sheets



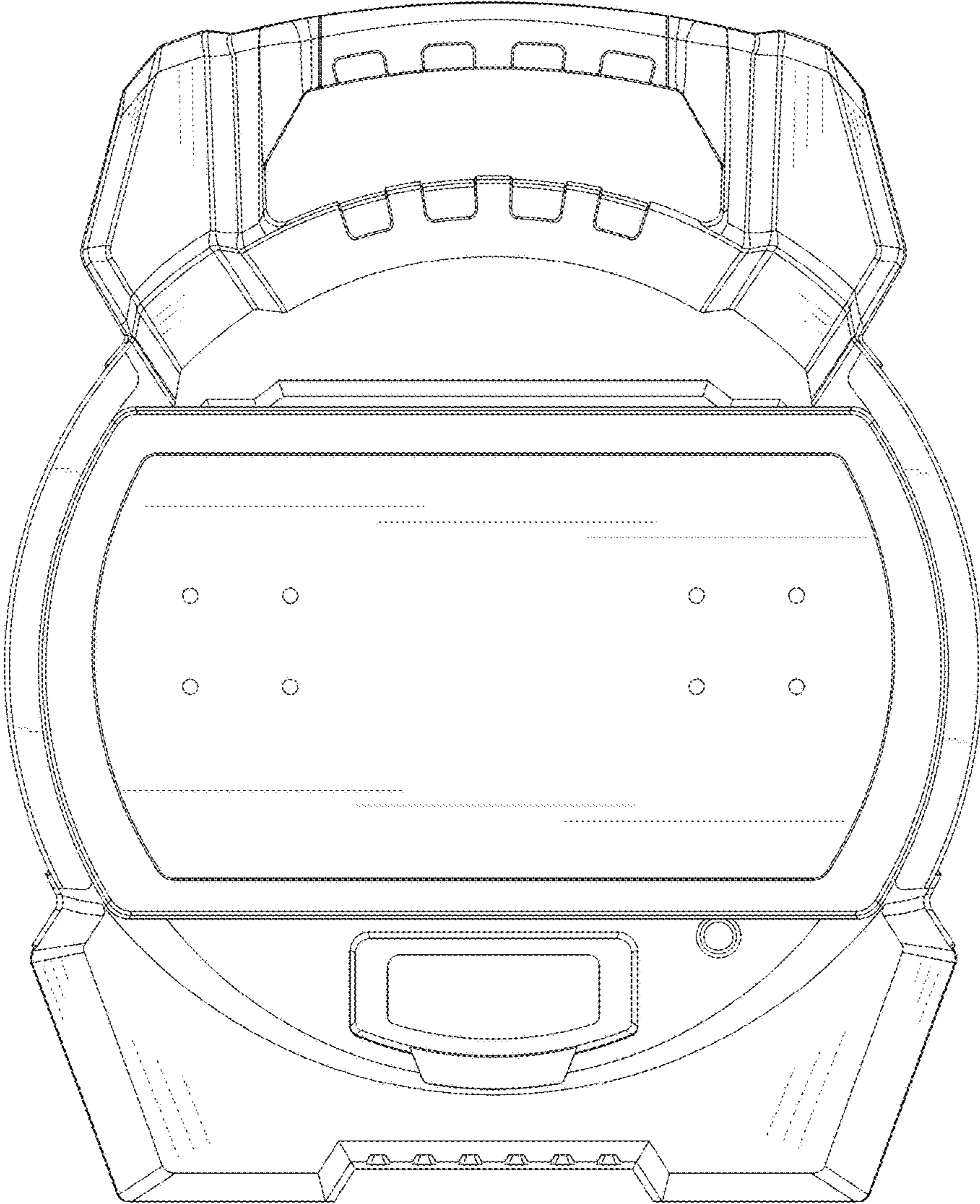


FIG. 1

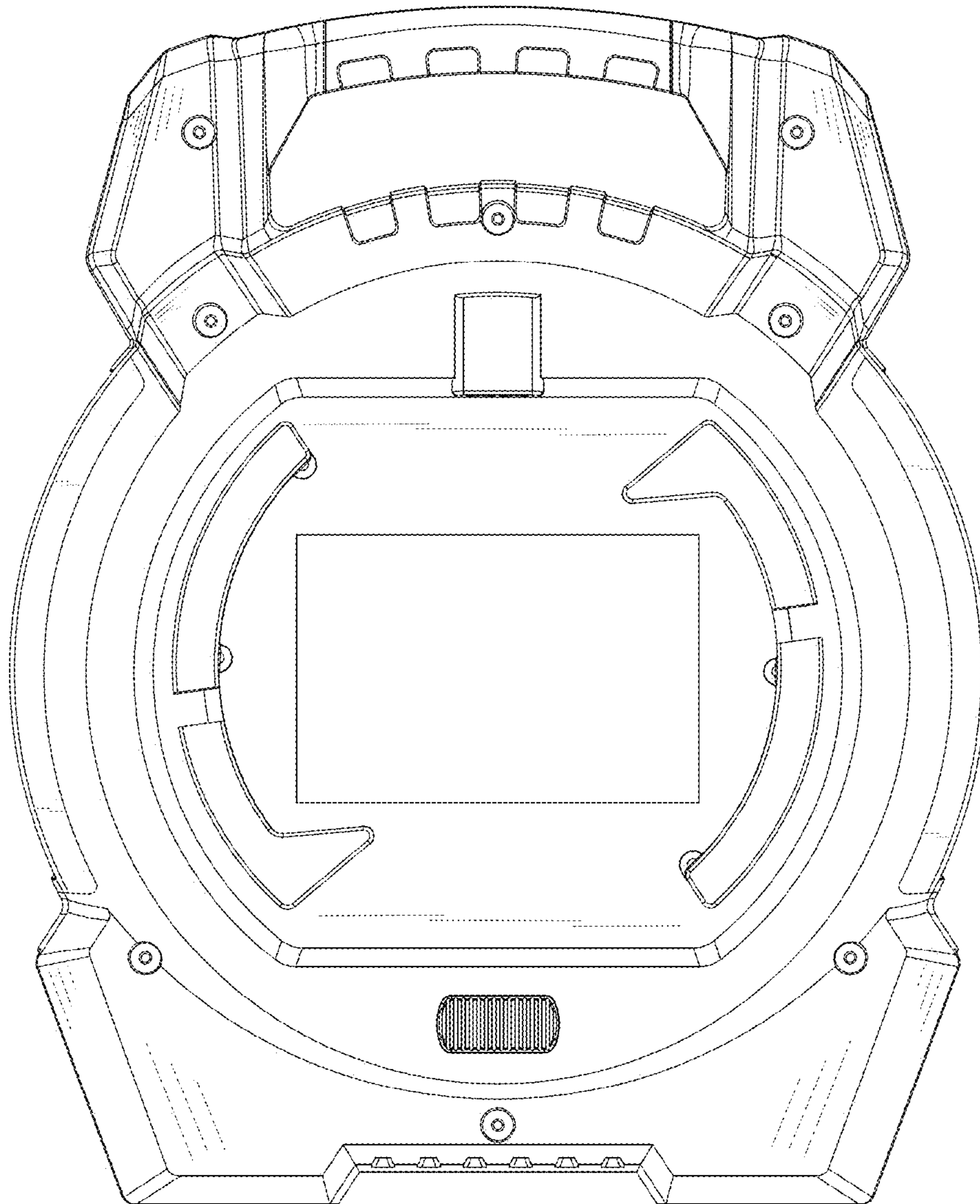


FIG. 2

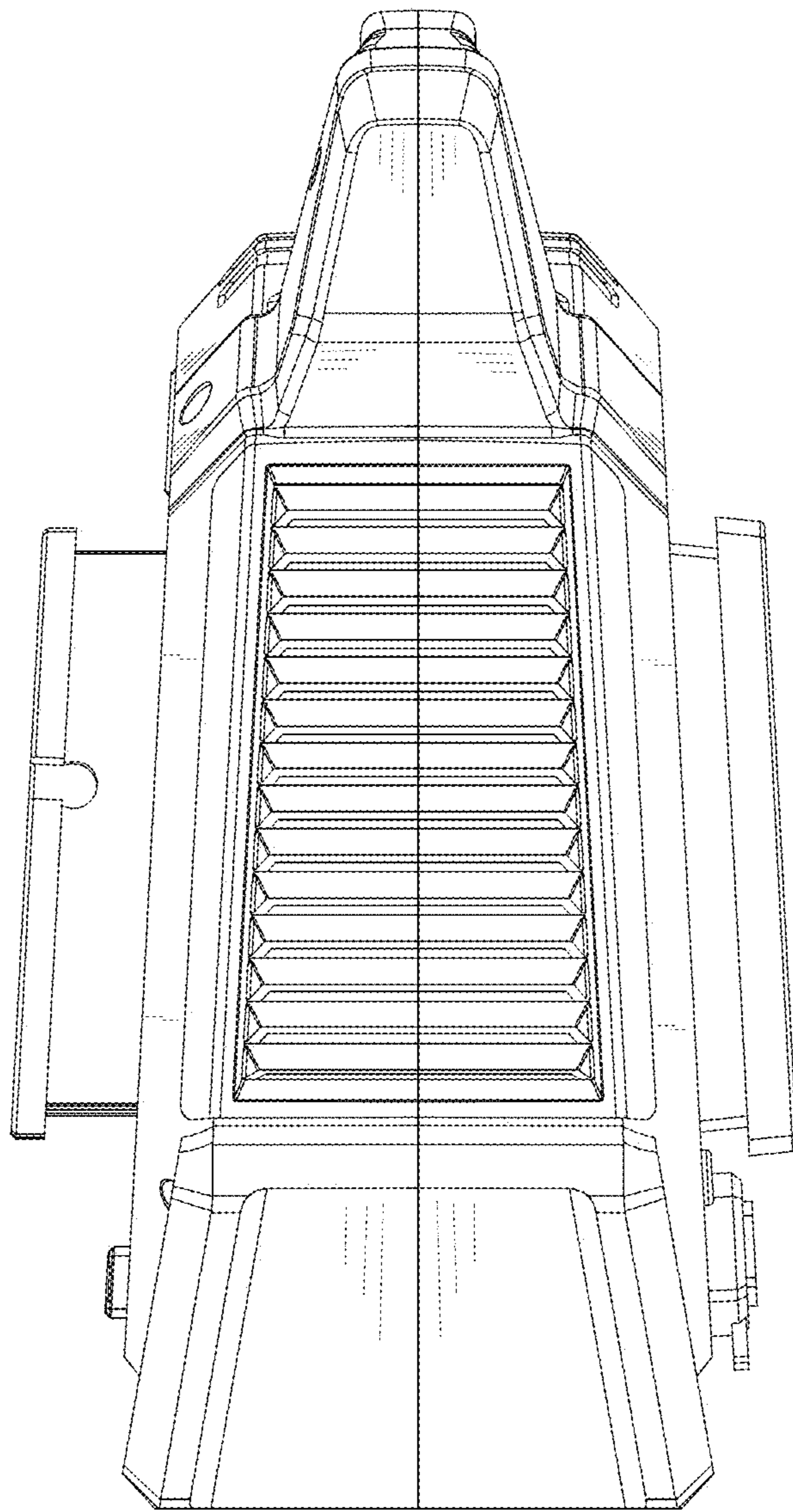


FIG. 3

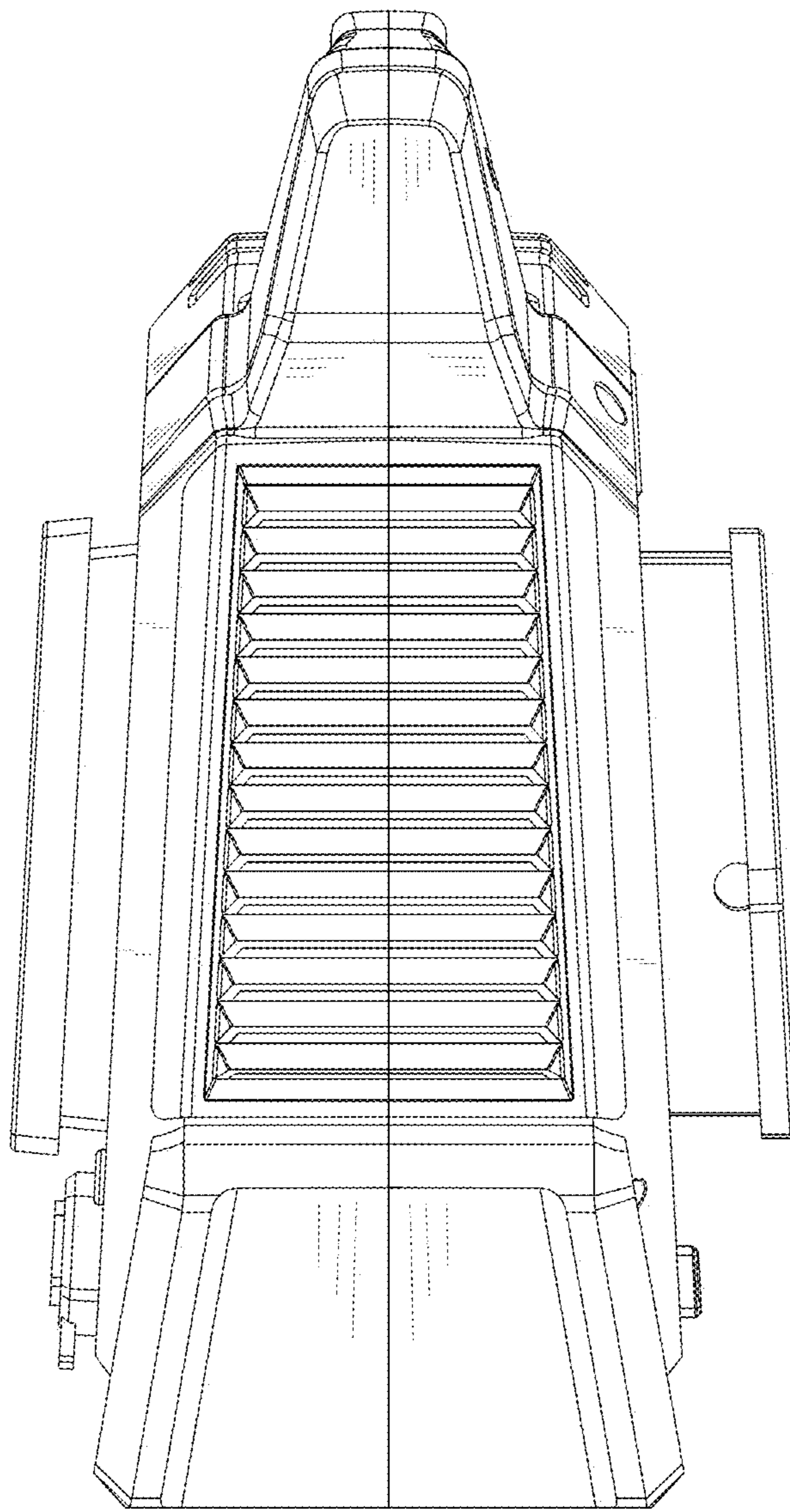


FIG. 4

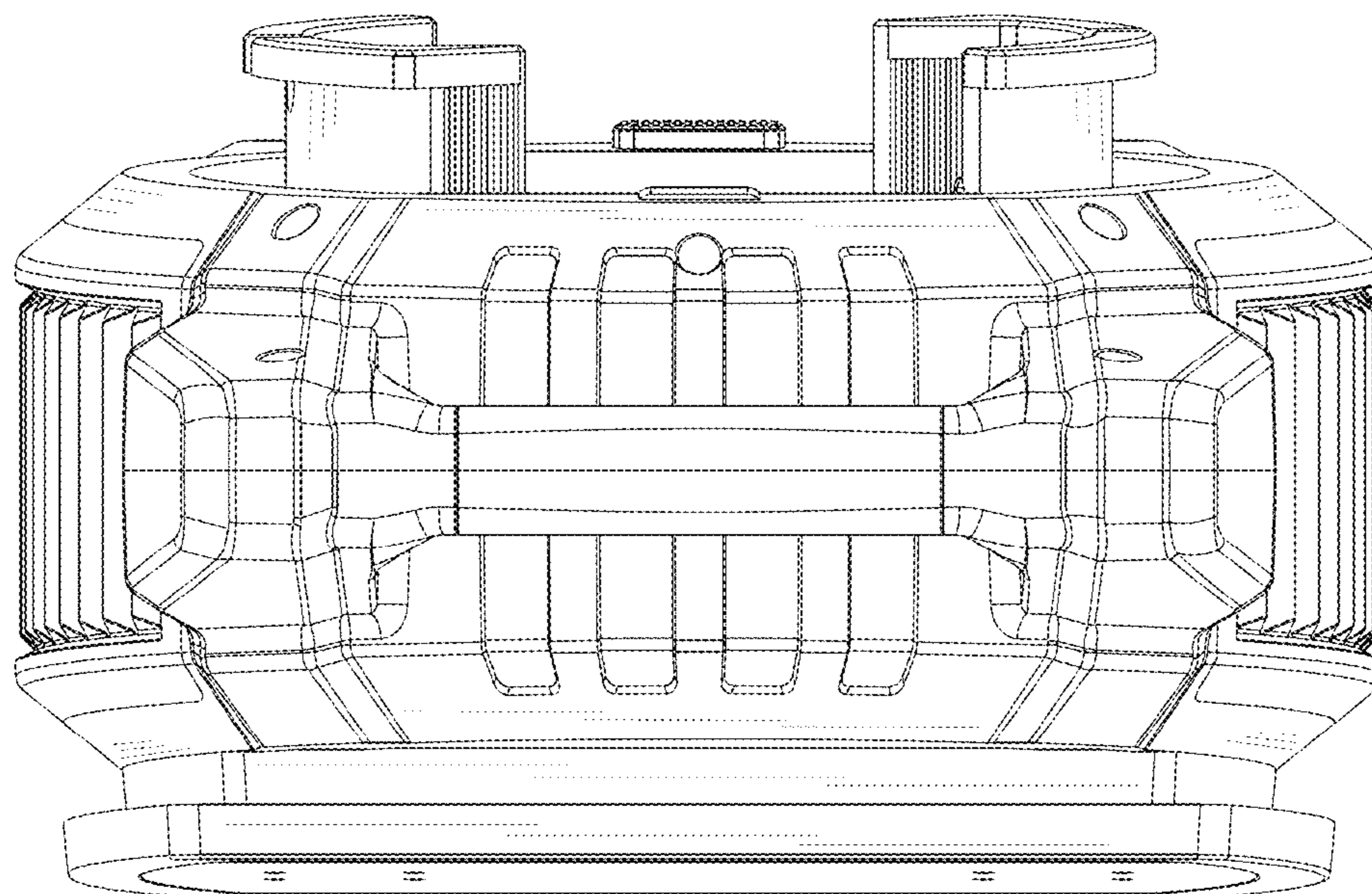


FIG. 5

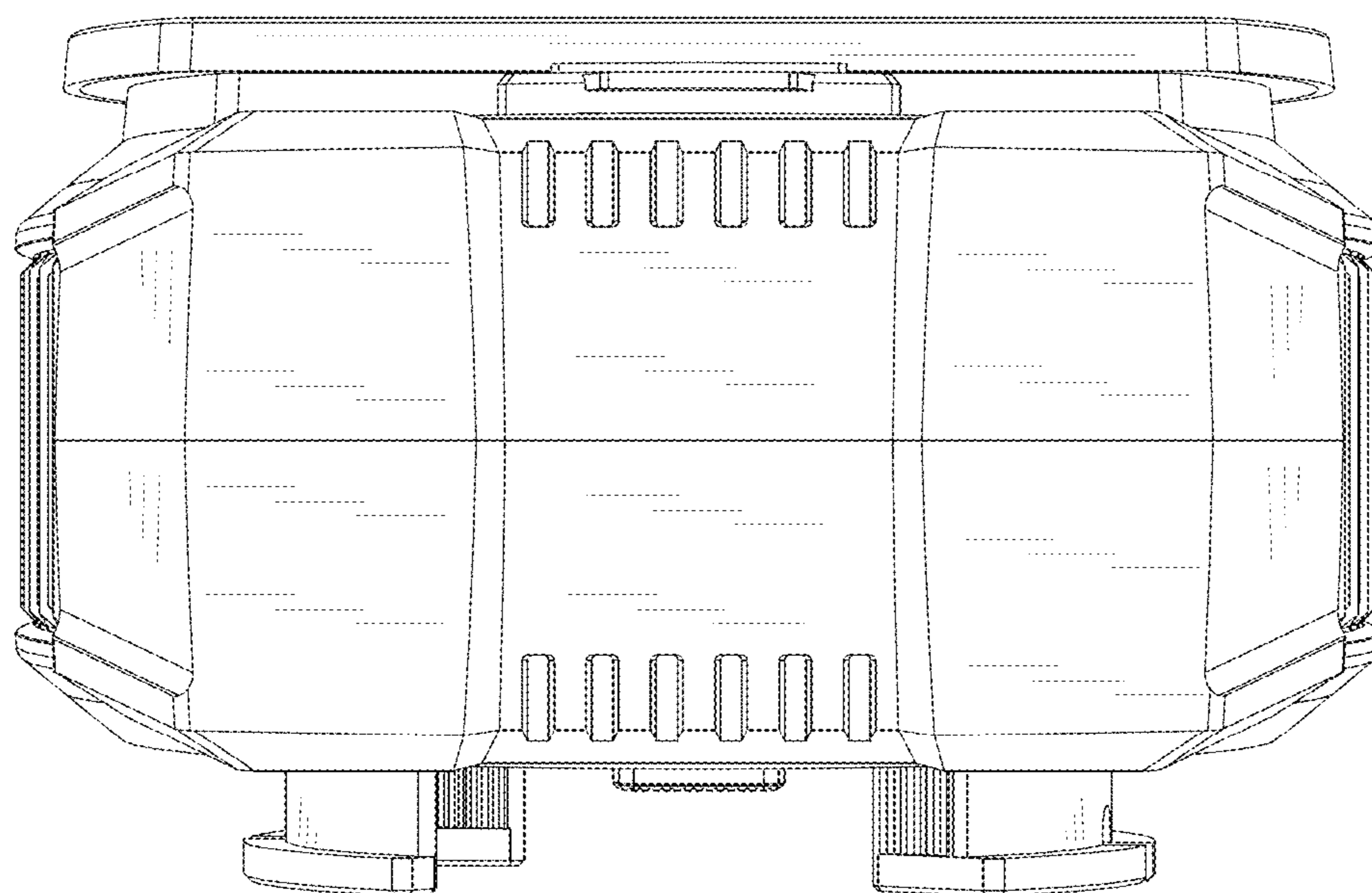


FIG. 6

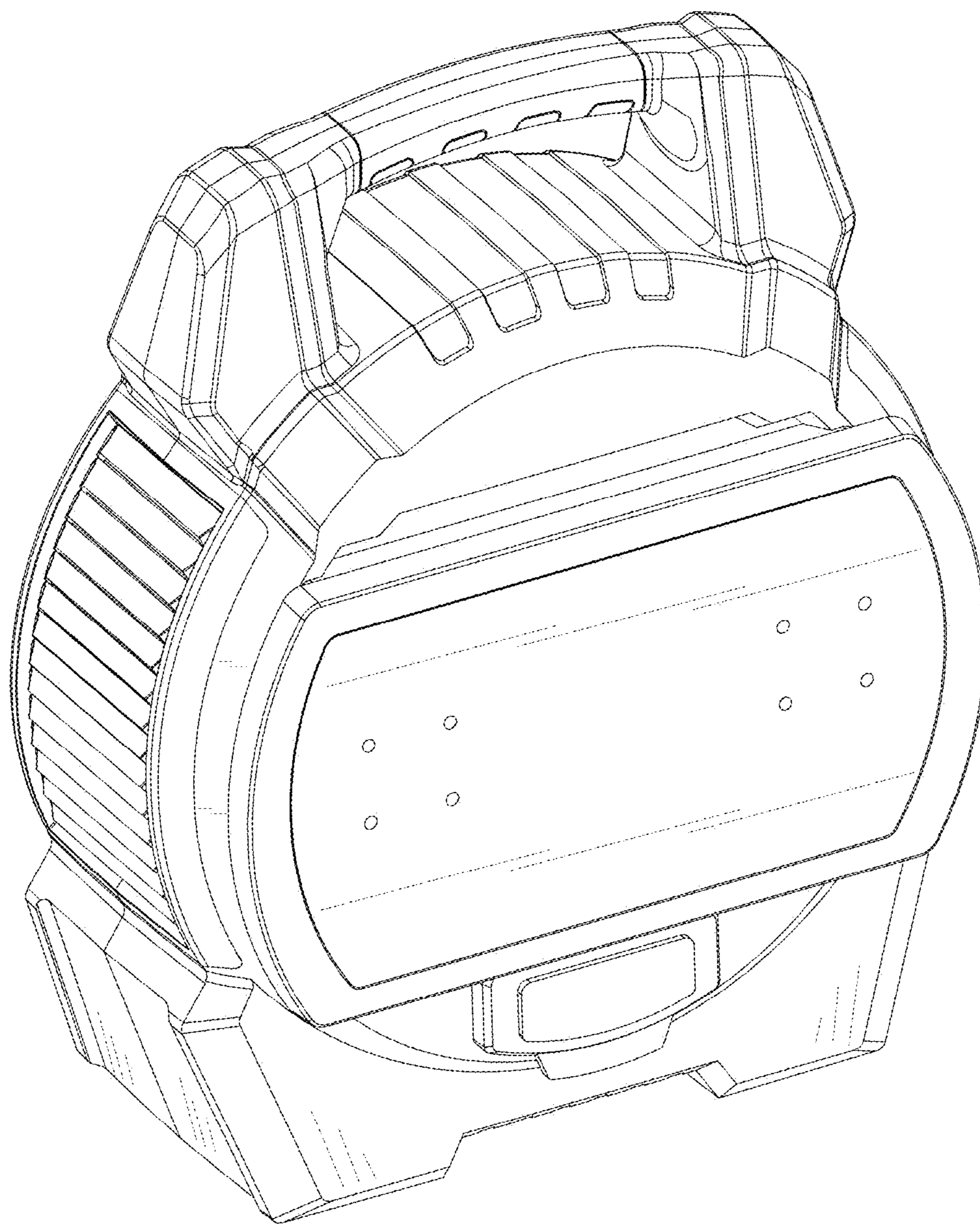


FIG. 7

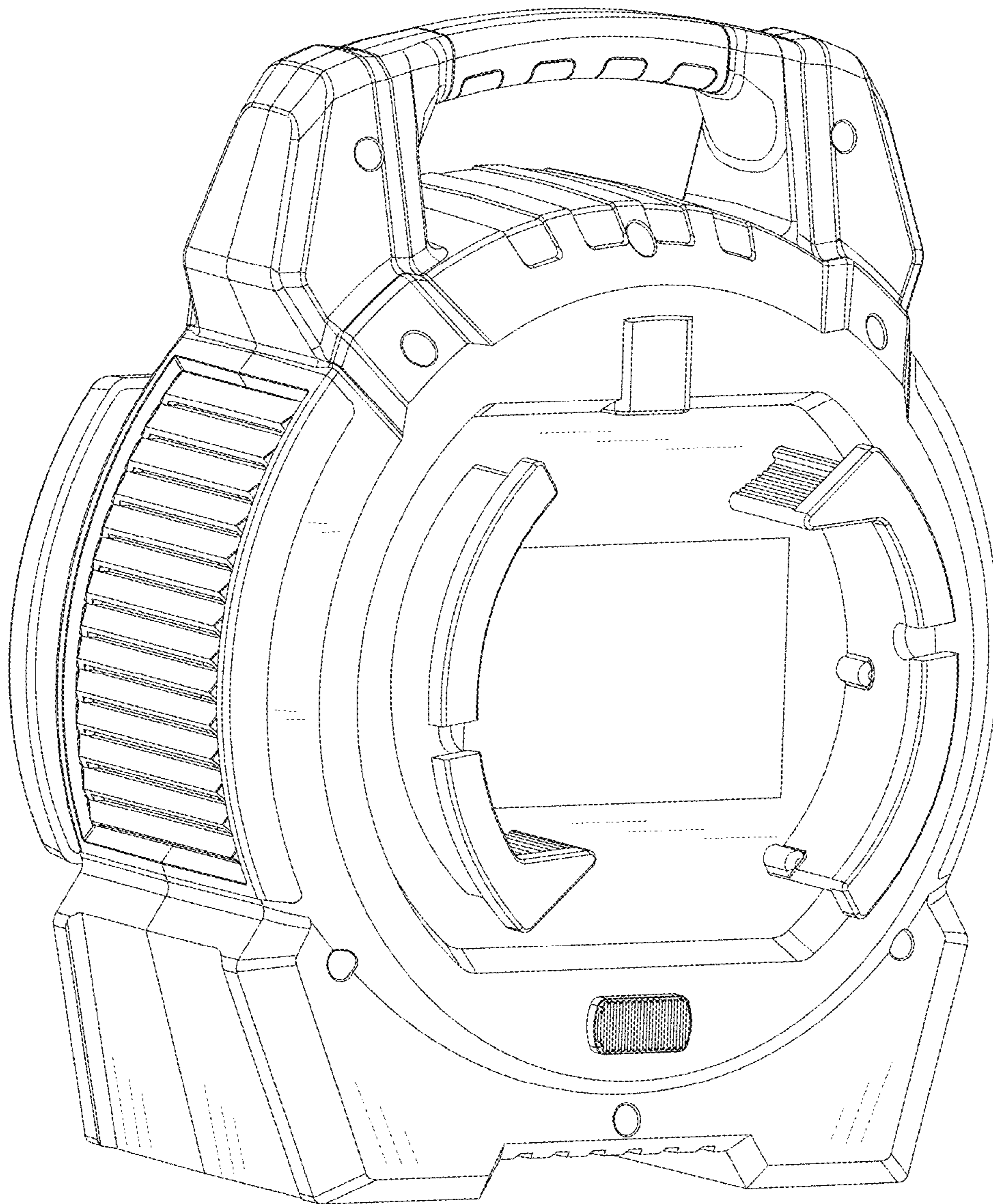


FIG. 8