



US00D820204S

(12) **United States Design Patent** (10) **Patent No.:** **US D820,204 S**
Urschel et al. (45) **Date of Patent:** **** Jun. 12, 2018**

(54) **PORTABLE GROUND POWER UNIT**

(56) **References Cited**

(71) Applicant: **Aviation Battery Systems, LLC**,
Scottsdale, AZ (US)

(72) Inventors: **Scott Urschel**, Chandler, AZ (US);
Todd Petersen, Chandler, AZ (US)

(73) Assignee: **Aviation Battery Systems LLC**,
Scottsdale, AZ (US)

(**) Term: **15 Years**

(21) Appl. No.: **29/616,857**

(22) Filed: **Sep. 8, 2017**

U.S. PATENT DOCUMENTS

3,950,688	A	7/1976	Sancey et al.
4,059,123	A	11/1977	Bartos et al.
4,300,087	A	11/1981	Meisner
D269,088	S	5/1983	Genaro et al.
5,151,865	A	9/1992	Blessing et al.
5,686,815	A	11/1997	Reipur et al.
5,764,469	A	6/1998	Siepien et al.
5,899,411	A	5/1999	Latos et al.
5,982,138	A	11/1999	Krieger
6,121,757	A	9/2000	Takahashi et al.
D432,493	S	10/2000	Killebrew et al.
6,140,797	A	10/2000	Dunn
6,160,373	A	12/2000	Dunn et al.
6,356,061	B1	3/2002	Perillo
6,384,573	B1	5/2002	Dunn
6,469,512	B2	10/2002	Singh et al.

(Continued)

Related U.S. Application Data

(63) Continuation-in-part of application No. 29/534,480, filed on Jul. 29, 2015, which is a continuation of application No. 13/750,295, filed on Jan. 25, 2013.

(51) **LOC (11) Cl.** **13-02**

(52) **U.S. Cl.**
USPC **D13/103**; D13/108

(58) **Field of Classification Search**
USPC D13/102–110, 118–119, 184, 199;
D14/356, 432

CPC Y02E 60/10; Y02E 60/12; Y02E 60/122;
Y02E 60/124; Y02E 60/50; H01M 2/02;
H01M 2/022; H01M 2/0202; H01M
2/0207; H01M 2/0212; H01M 2/1061;
H01M 2/1022; H01M 2/1055; H01M
2/1066; H01M 2/105; H01M 2/20; H01M
2/204; H01M 2/206; H01M 10/44; H01M
10/46; H01M 10/465; H01M 10/482;
H01M 2200/30; H01M 2250/30; H01M
2250/40; H02J 7/00; H02J 7/0003; H02J
7/0011; H02J 7/0013; H02J 7/0054; H02J
7/0055; H02J 7/0057; H02J 2007/0062

See application file for complete search history.

Primary Examiner — Rosemary K Tarcza
Assistant Examiner — Nathaniel D. Buckner
 (74) *Attorney, Agent, or Firm* — IPTechLaw

(57) **CLAIM**

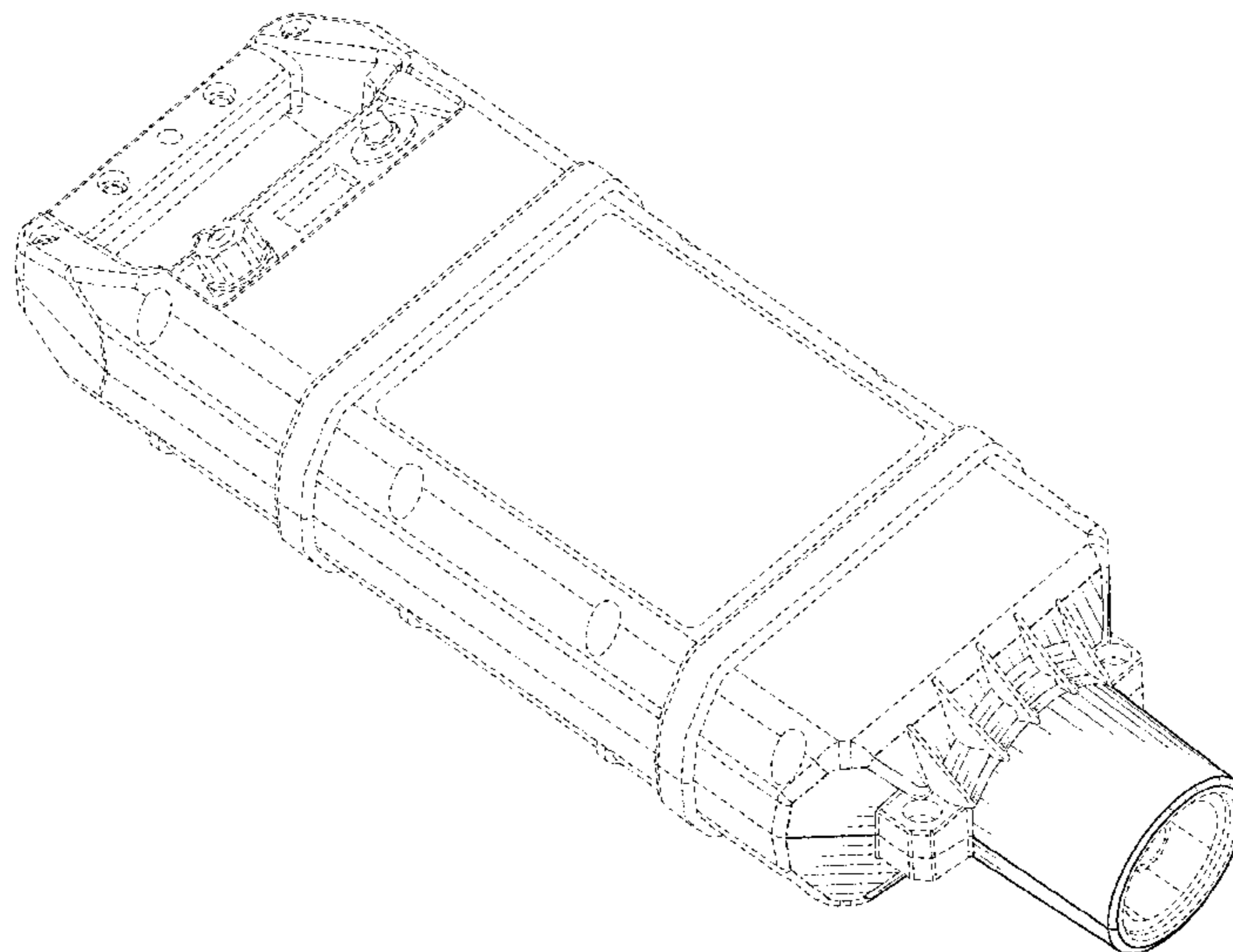
The ornamental design for a portable ground power unit, as shown and described.

DESCRIPTION

FIG. 1 is a top perspective view of a portable ground power unit;
 FIG. 2 is a front view thereof;
 FIG. 3 is a left side view thereof;
 FIG. 4 is a right side view thereof;
 FIG. 5 is a top view thereof; and,
 FIG. 6 is a bottom view thereof.

The regularly spaced broken lines shown in the drawings depict portions of the article that form no part of the claimed design. The dash dot dash broken lines define the bounds of the claimed design and form no part thereof.

1 Claim, 3 Drawing Sheets



(56)

References Cited

U.S. PATENT DOCUMENTS

6,493,217 B1	12/2002	Jenkins, Jr.		8,860,250 B2	10/2014	Salcone	
6,498,491 B2	12/2002	Plow et al.		D721,035 S	1/2015	Dasbach	
6,664,762 B2	12/2003	Kutkut		8,935,011 B2	1/2015	Tischer	
6,741,065 B1	5/2004	Ishii et al.		D722,021 S	2/2015	Dasbach	
6,803,746 B2	10/2004	Aker et al.		D724,013 S	3/2015	Zsolcsak et al.	
6,999,322 B1 *	2/2006	Lin	G06K 19/07732 361/733	D737,769 S *	9/2015	Zsolcsak	D13/119
D521,446 S	5/2006	Liu		D745,874 S *	12/2015	Huang	D14/480.1
7,161,253 B2	1/2007	Sodemann et al.		9,263,907 B2	2/2016	Richardson et al.	
D537,819 S	3/2007	Zhao et al.		9,368,269 B2	6/2016	Chen et al.	
7,199,555 B2	4/2007	Hung		9,408,318 B2 *	8/2016	Fletcher	H05K 5/0278
D583,756 S *	12/2008	Walsh	D13/103	D768,567 S *	10/2016	Caubel	D13/103
7,564,223 B2	7/2009	Krieger et al.		D772,806 S *	11/2016	Ritterling	B25F 5/02 D13/103
7,717,739 B2 *	5/2010	Hawkins	H01R 31/06 439/503	9,572,397 B2 *	2/2017	Zsolcsak	A43B 7/34
7,928,735 B2	4/2011	Huang et al.		D786,264 S	5/2017	Lin et al.	
7,989,980 B2	8/2011	Blackman		D805,079 S *	12/2017	Han	D14/426
8,015,661 B2 *	9/2011	Baer	A47L 5/365 15/327.5	2001/0000212 A1	4/2001	Reipur et al.	
D650,737 S	12/2011	Hamilton		2003/0011245 A1	1/2003	Fiebig	
D675,630 S	2/2013	Ni et al.		2003/0090239 A1	5/2003	Sakakibara	
8,446,127 B2	5/2013	Yazami et al.		2005/0110467 A1	5/2005	Thomason	
D686,987 S *	7/2013	Vanstone	D13/108	2007/0063675 A1	3/2007	Walline et al.	
8,545,256 B2	10/2013	Huffman et al.		2007/0080586 A1	4/2007	Busick	
D694,176 S	11/2013	Buetow et al.		2007/0252559 A1	11/2007	Uhl	
D695,219 S	12/2013	Dasbach		2008/0064265 A1 *	3/2008	Sterling	B29C 45/16 439/660
8,638,011 B2	1/2014	Robinson et al.		2008/0071483 A1	3/2008	Eaves	
				2008/0211452 A1	9/2008	Blackman	
				2012/0321936 A1	12/2012	Song	
				2013/0009469 A1	1/2013	Gillett	

* cited by examiner

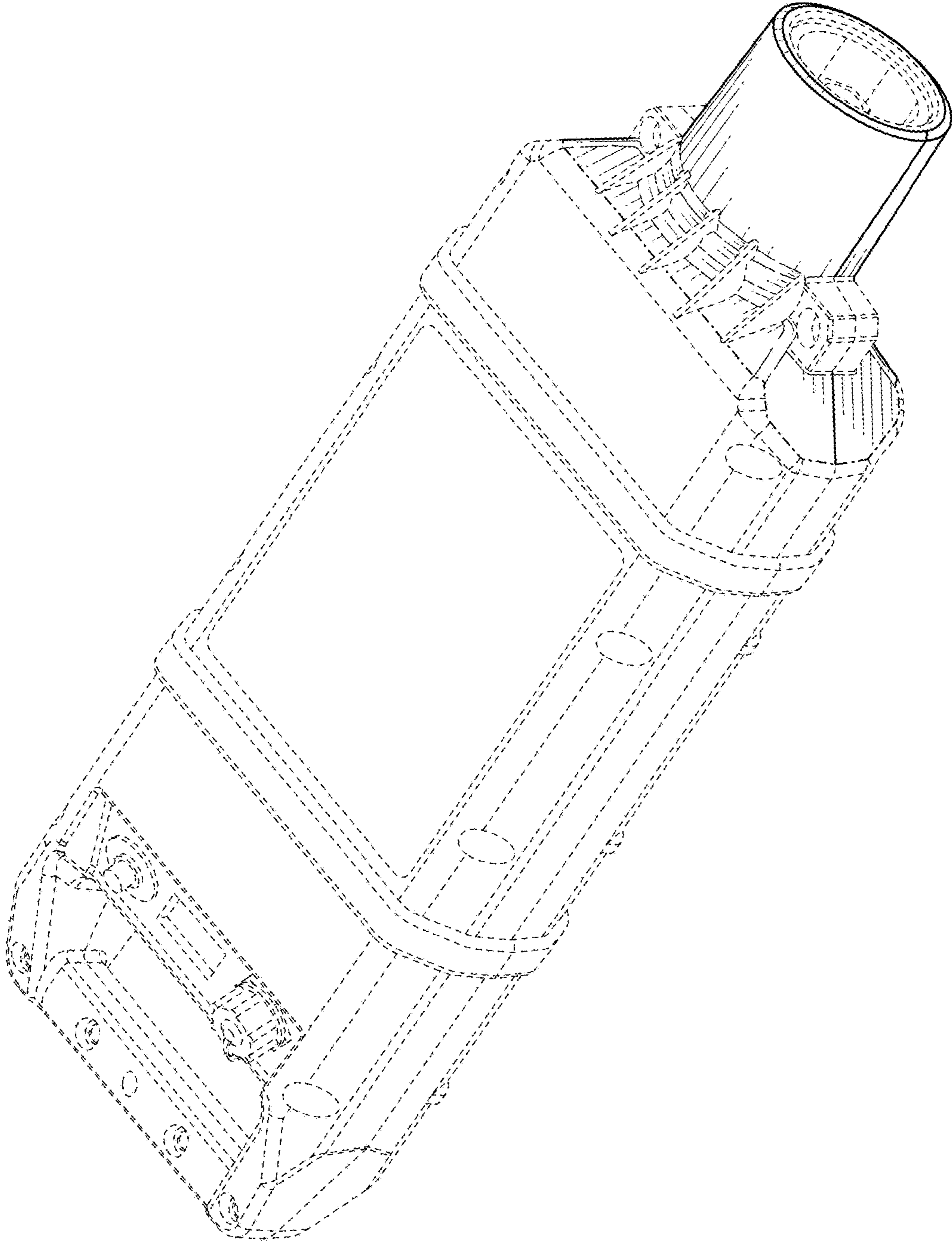


FIG. 1

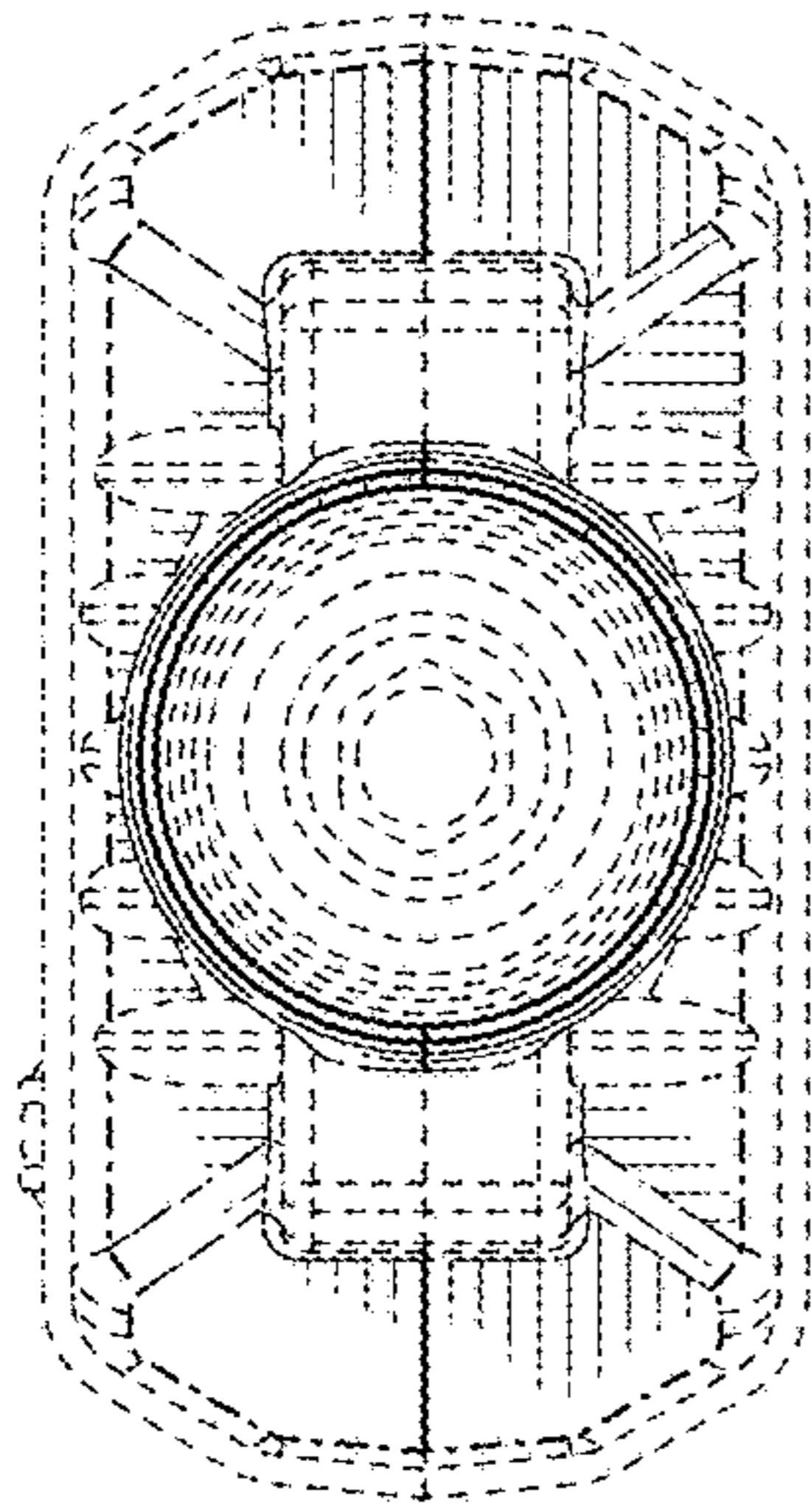


FIG. 2

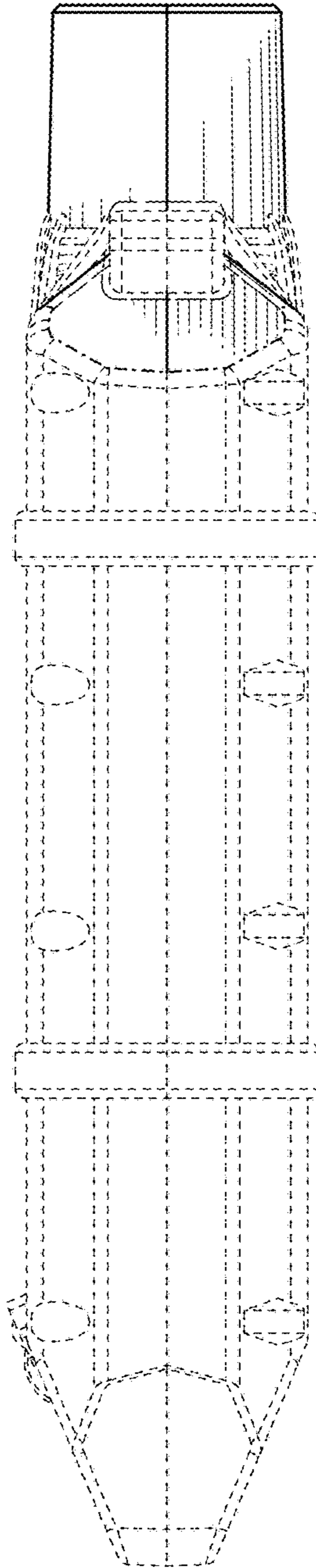


FIG. 3

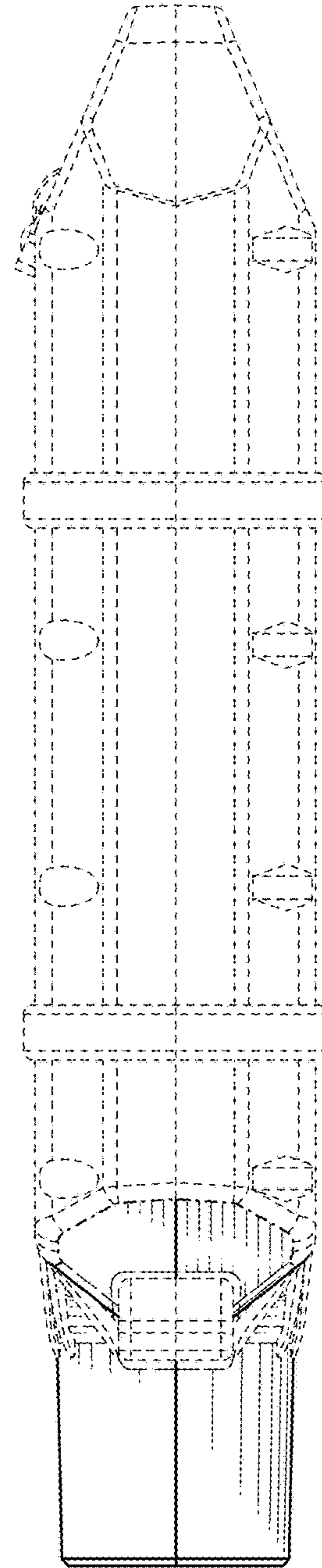


FIG. 4

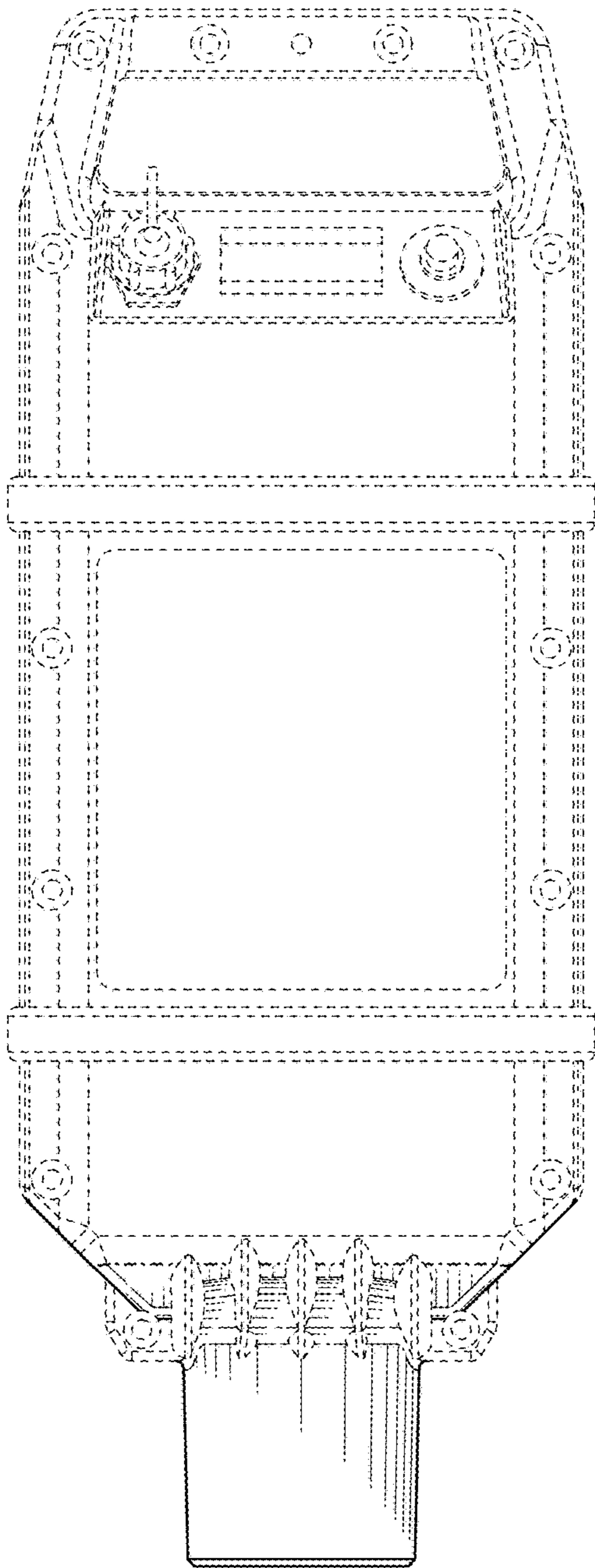


FIG. 5

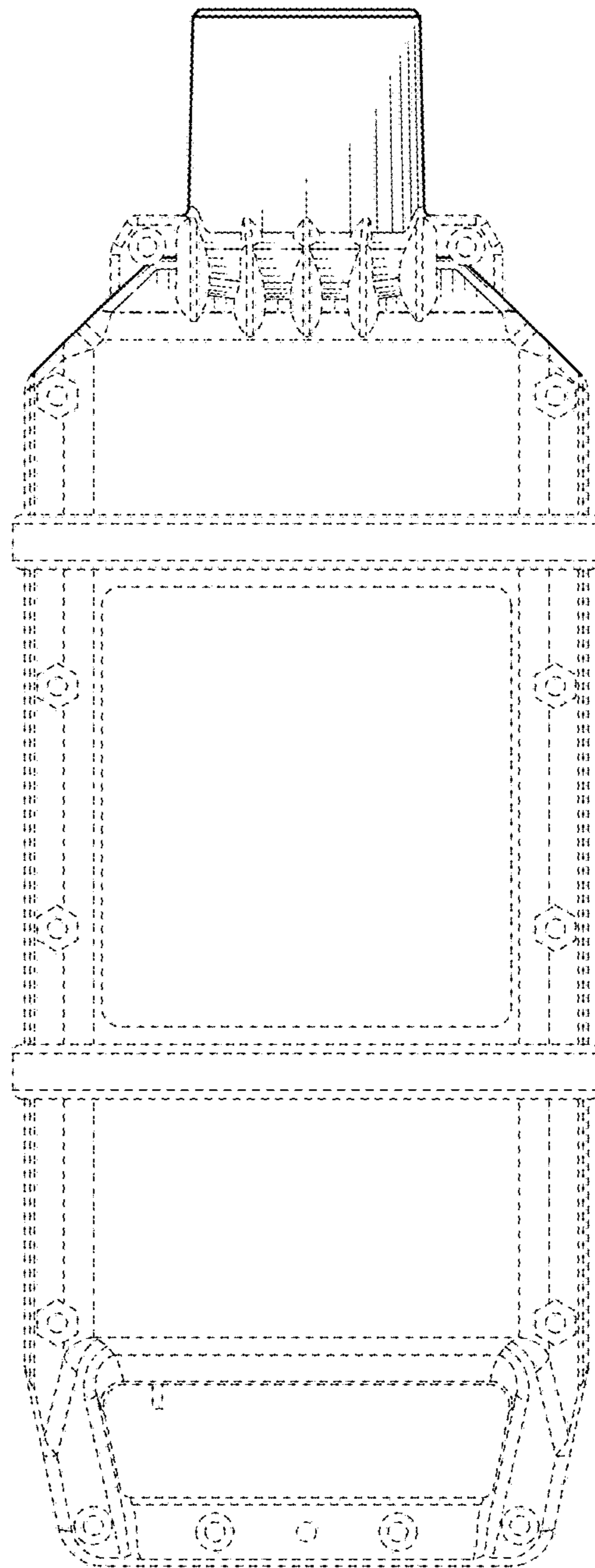


FIG. 6