



US00D820202S

(12) **United States Design Patent**
Wolff

(10) **Patent No.:** **US D820,202 S**
(45) **Date of Patent:** **** Jun. 12, 2018**

(54) **HOUSING FOR A BATTERY**
(71) Applicant: **Robert Bosch GmbH**, Stuttgart (DE)
(72) Inventor: **Jochen Wolff**, Asperg (DE)
(73) Assignee: **Robert Bosch GmbH**, Stuttgart (DE)
(**) Term: **15 Years**
(21) Appl. No.: **29/591,899**
(22) Filed: **Jan. 25, 2017**

(30) **Foreign Application Priority Data**

Jul. 26, 2016 (EM) 003319813

(51) **LOC (11) Cl.** **13-02**

(52) **U.S. Cl.**
USPC **D13/103**

(58) **Field of Classification Search**
USPC D13/102, 103, 104, 105, 106, 107, 108,
D13/109, 110, 118, 119, 184, 199;
D14/203.3–203.8, 217, 248, 250–253,
D14/432, 434, 440, 450, 496; D3/201,
D3/218, 269, 301, 273, 303
CPC H02J 2001/008; H02J 3/32; H02J 3/008;
H02J 7/0027; H02J 7/0013; H02J 7/0054;
H02J 7/00; H02J 7/025; H02J 7/0042;
H02J 7/0044; H02J 7/0045; H02J 7/0003;
H02J

(Continued)

(56) **References Cited**

U.S. PATENT DOCUMENTS

D332,443 S * 1/1993 Sharpe D13/184
D439,877 S * 4/2001 Vacheron D13/103
D742,307 S * 11/2015 DeKeuster D13/103
D749,512 S * 2/2016 Yonishi D13/119
D762,565 S * 8/2016 Akana D13/103
D780,112 S * 2/2017 Lin D13/103

(Continued)

Primary Examiner — Rosemary K Tarcza

Assistant Examiner — Christy M Nemeth

(74) *Attorney, Agent, or Firm* — Maginot, Moore & Beck
LLP

(57) **CLAIM**

The ornamental design for a housing for a battery, as shown
and described.

DESCRIPTION

Cross reference is made to copending U.S. Design patent
application Ser. No. 29/591,902 entitled “Housing for a
Battery” by Jochen Wolff filed on even date herewith.

FIG. 1 is a perspective view of a first embodiment of a
housing for a battery showing my new design;

FIG. 2 is a front elevational view of the housing for a battery
of FIG. 1;

FIG. 3 is a rear elevational view of the housing for a battery
of FIG. 1;

FIG. 4 is a left side elevational view of the housing for a
battery of FIG. 1;

FIG. 5 is a right side elevational view of the housing for a
battery of FIG. 1;

FIG. 6 is a top plan view of the housing for a battery of FIG.
1; and

FIG. 7 is a bottom plan view of the housing for a battery of
FIG. 1.

FIG. 8 is a perspective view of a second embodiment of a
housing for a battery showing my new design;

FIG. 9 is a front elevational view of the housing for a battery
of FIG. 8;

FIG. 10 is a rear elevational view of the housing for a battery
of FIG. 8;

FIG. 11 is a left side elevational view of the housing for a
battery of FIG. 8;

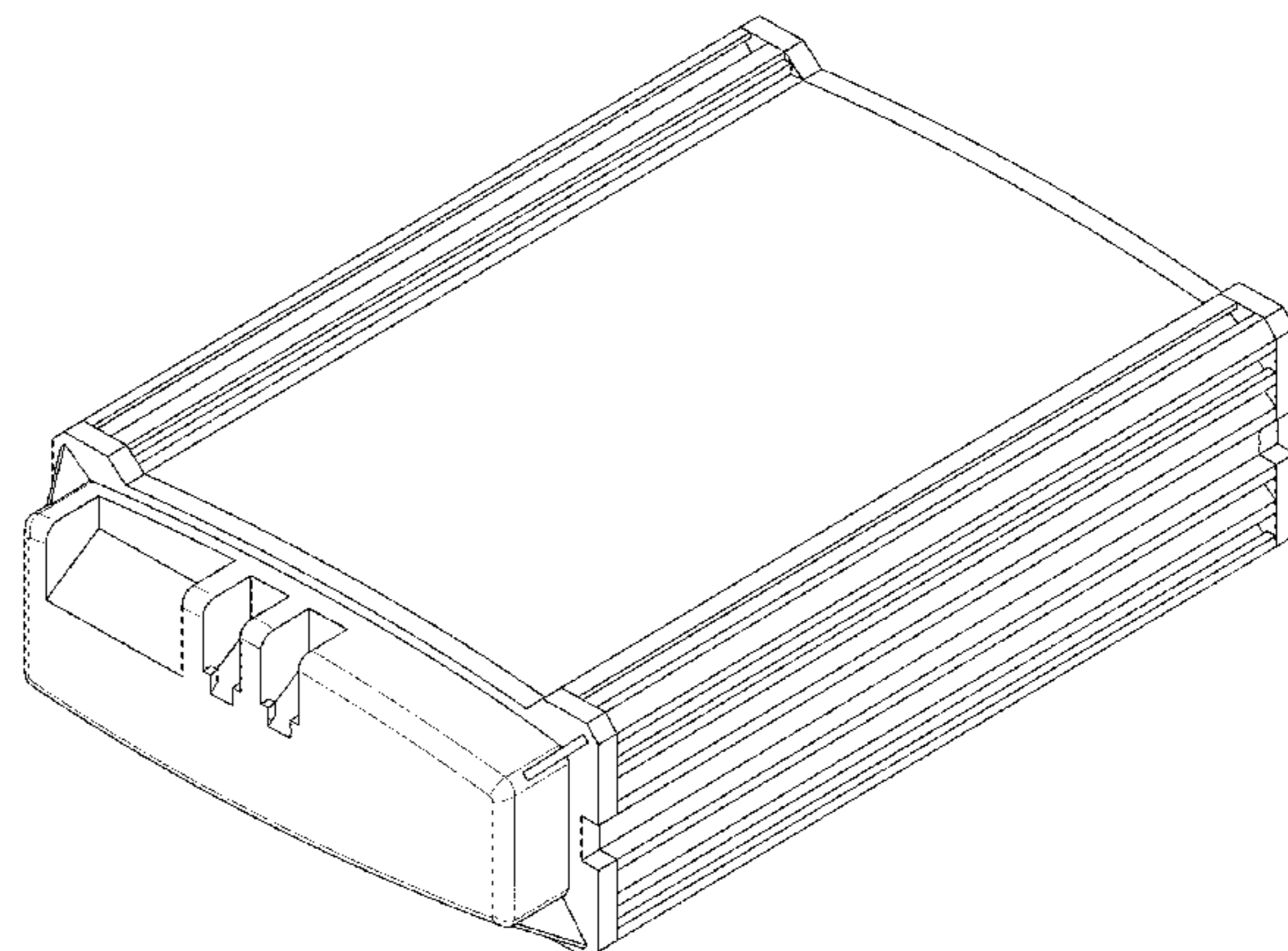
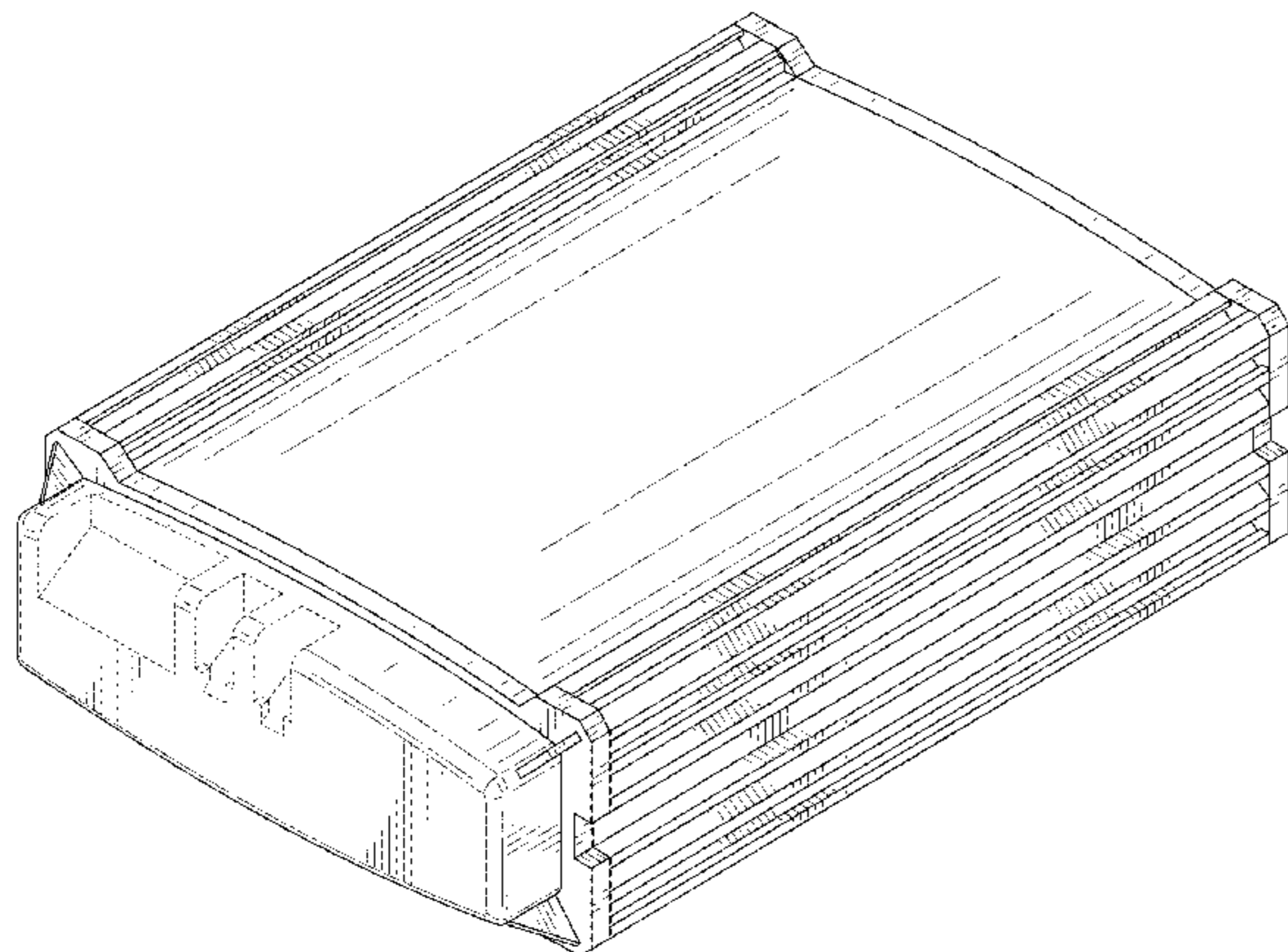
FIG. 12 is a right side elevational view of the housing for a
battery of FIG. 8;

FIG. 13 is a top plan view of the housing for a battery of
FIG. 8; and,

FIG. 14 is a bottom plan view of the housing for a battery
of FIG. 8.

The broken lines shown in the drawings illustrate portions of
the housing for a battery that form no part of the claimed
design.

1 Claim, 12 Drawing Sheets



(58) **Field of Classification Search**

CPC 7/0055; H02J 7/0057; B60R 16/03; B60L
11/1809; B60L 11/1861; B60L 11/182;
H01R 13/6675; H01R 13/70; H01R
13/71; H01R 13/66; H01R 2201/26;
H01M 2/1022; H01M 2/1055; H01M
10/44; H01M 10/46; H01M 10/425;
H01M 2/02; H01M 2/022; H01M 2/0202;
H01M 2/0207; H01M 2/0212; H01M
10/4257; H01M 10/0436; H01M 10/48;
H01M 2200/30; H01M 2250/30; H01M
2250/40; H01F 38/14; Y02E 60/12; Y02E
60/122; Y02E 60/124; Y02E 60/50; Y02T
90/14; Y02T 90/122; Y02T 90/128; Y02T
90/163; H05K 11/02

See application file for complete search history.

(56)

References Cited

U.S. PATENT DOCUMENTS

D784,258	S	*	4/2017	Vienna	D13/108
D795,801	S	*	8/2017	Fletcher	D13/103
2006/0099491	A1	*	5/2006	Jeon	H01M 2/1241 429/53
2006/0099492	A1	*	5/2006	Jeon	H01M 2/0404 429/61
2006/0103242	A1	*	5/2006	Lin	H02J 9/062 307/66
2008/0280200	A1	*	11/2008	Takahashi	H01M 2/1061 429/179
2012/0068662	A1	*	3/2012	Durando	H02J 7/0042 320/105
2017/0229894	A1	*	8/2017	Durando	H02J 7/0054

* cited by examiner

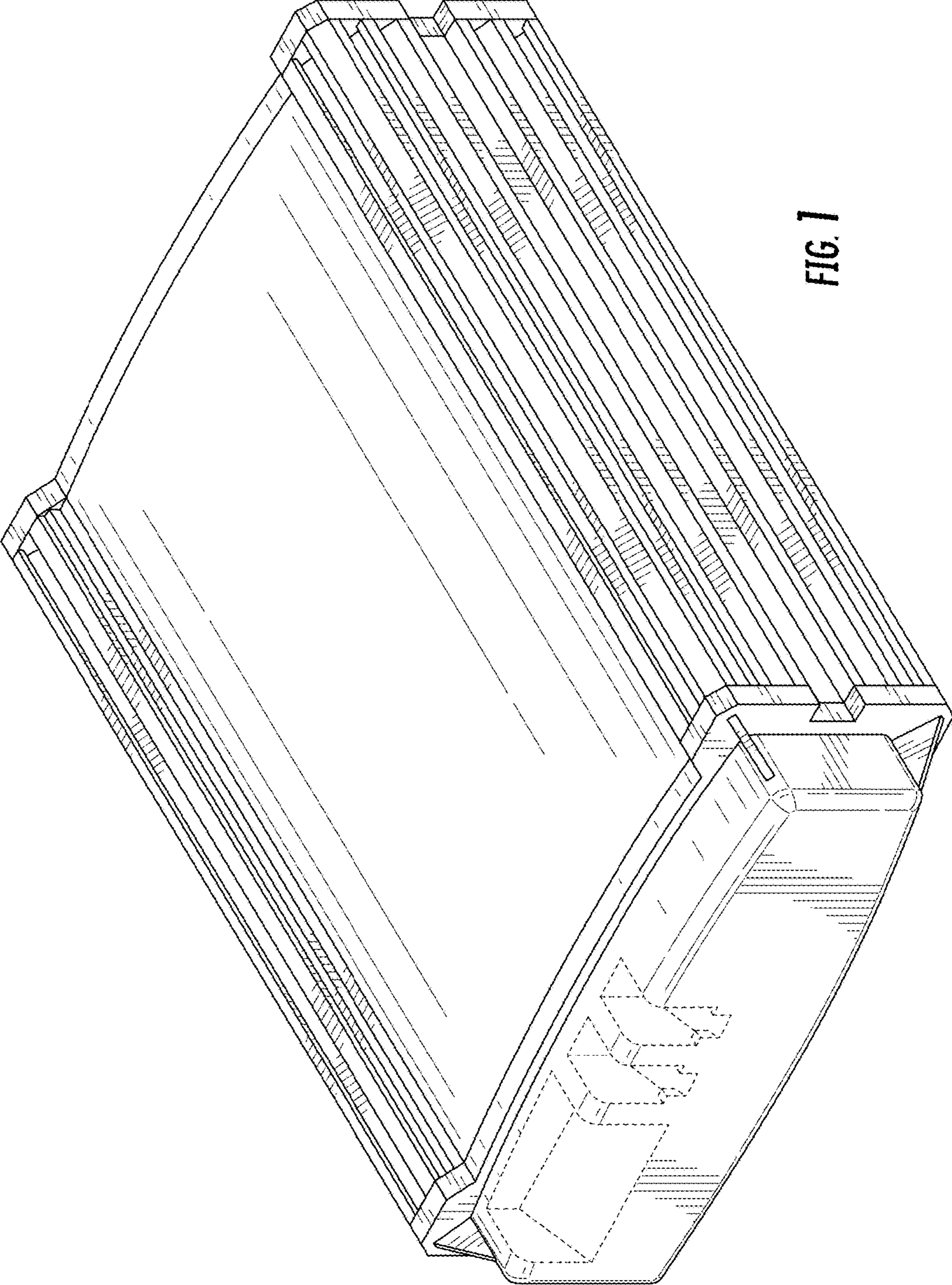


FIG. 1

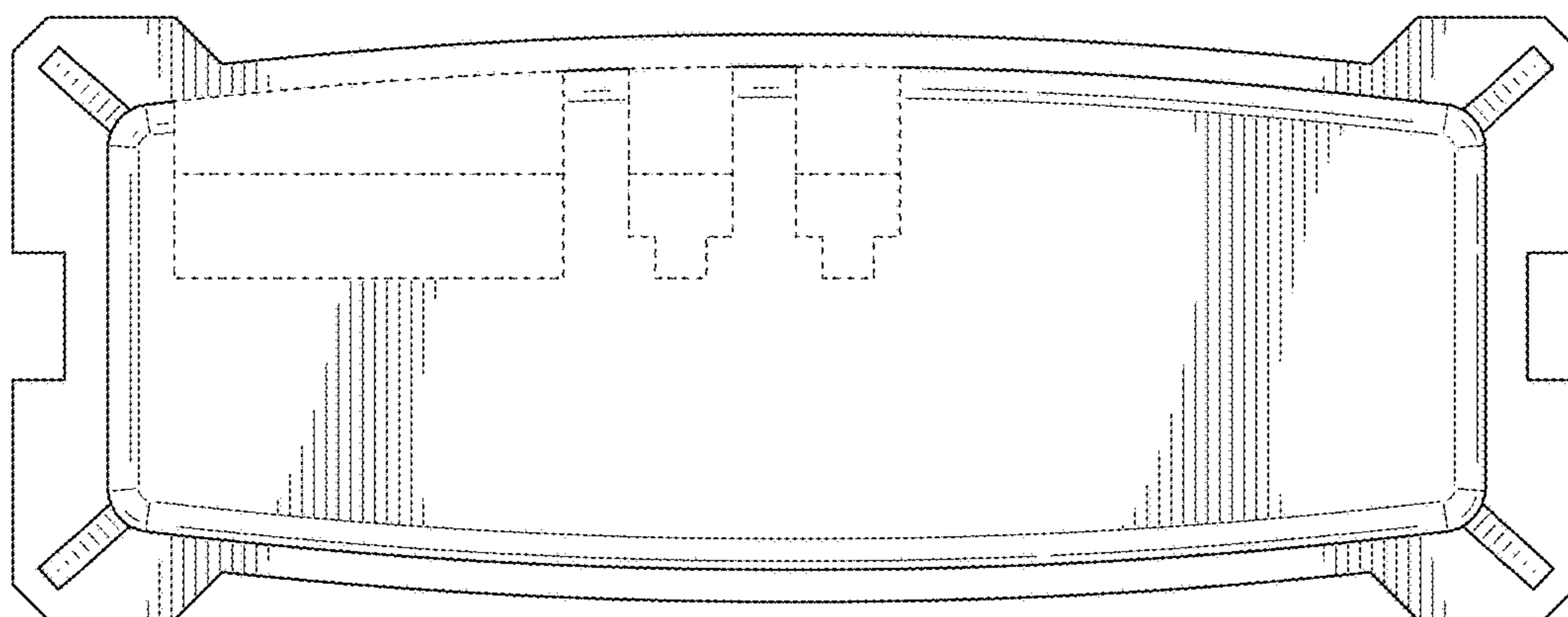


FIG. 2

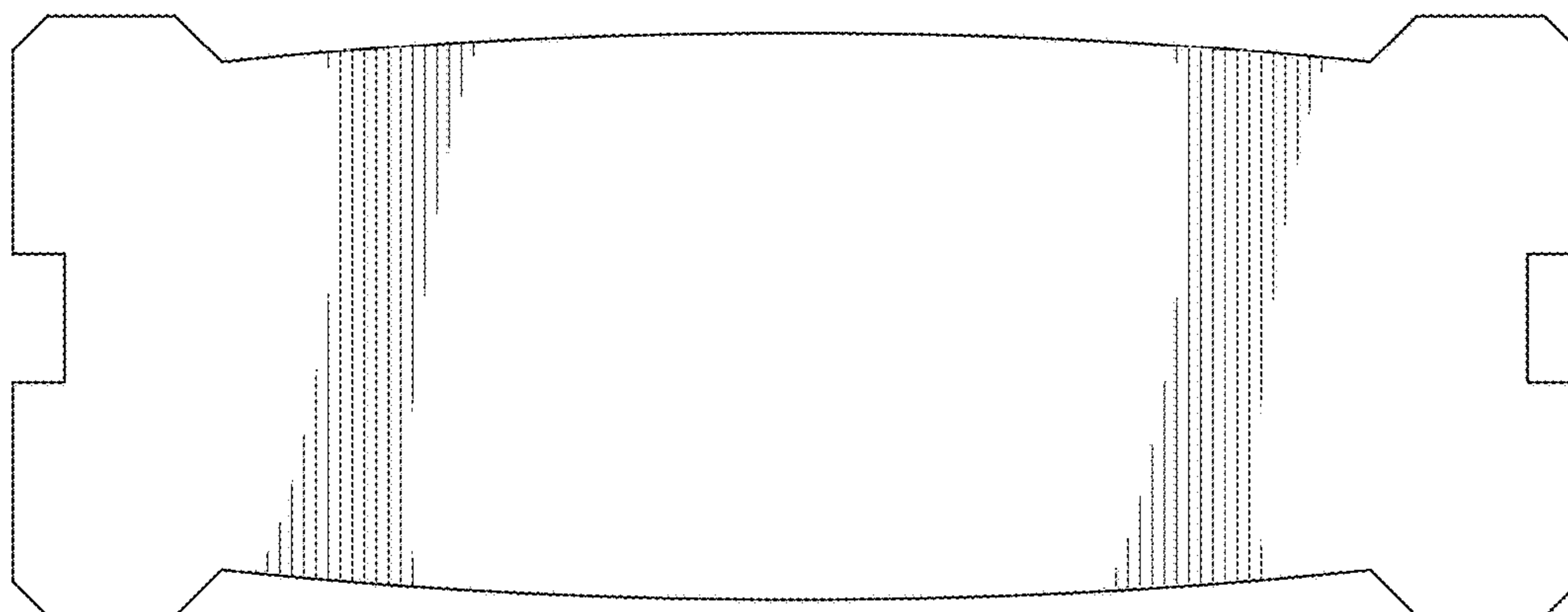


FIG. 3

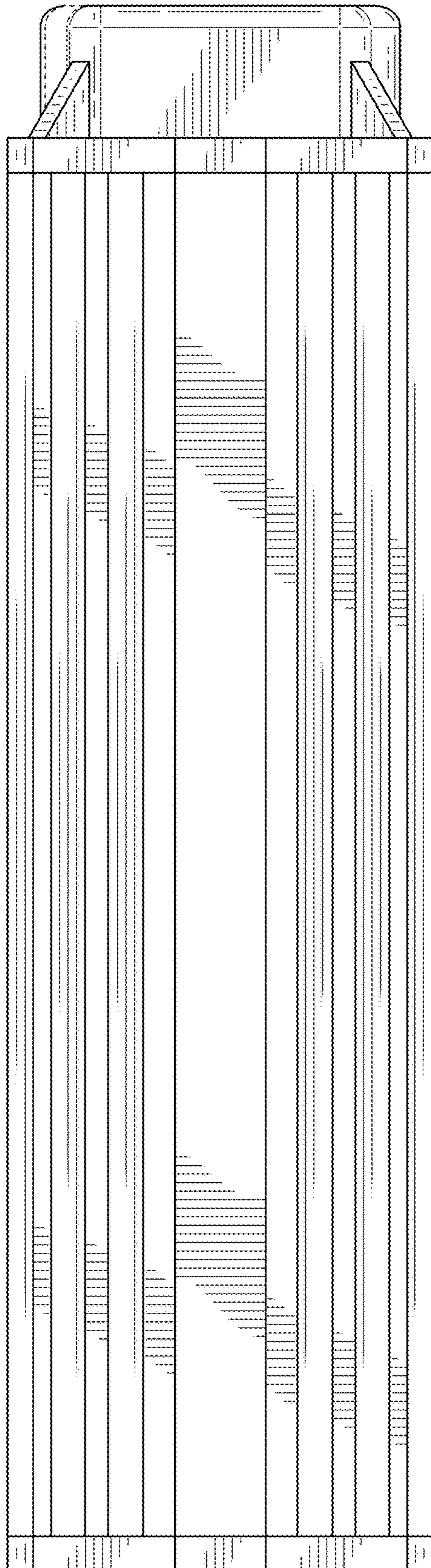


FIG. 4

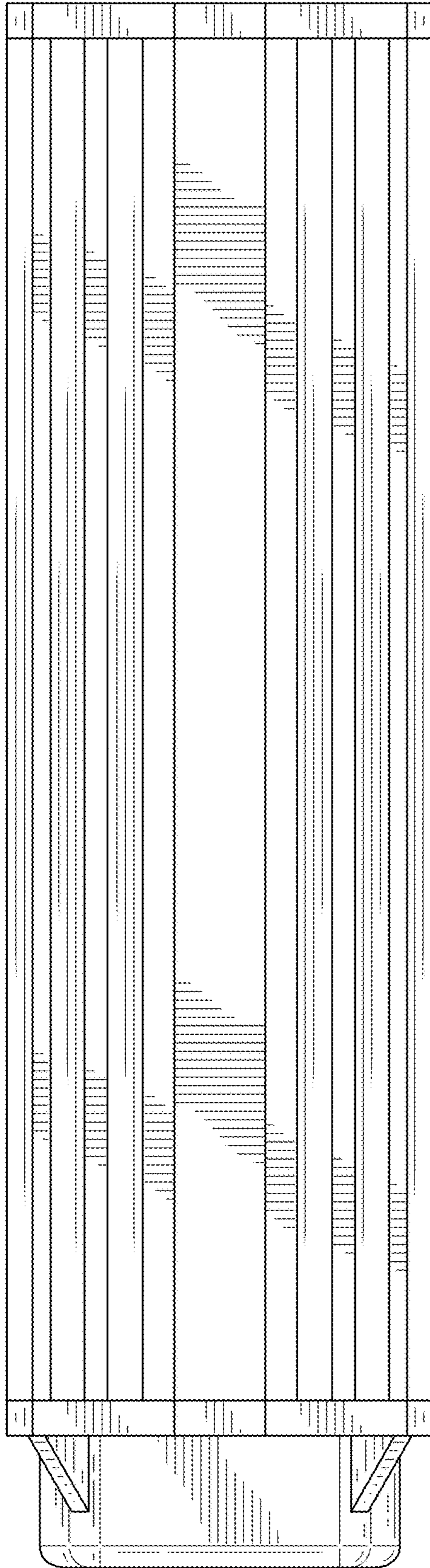


FIG. 5

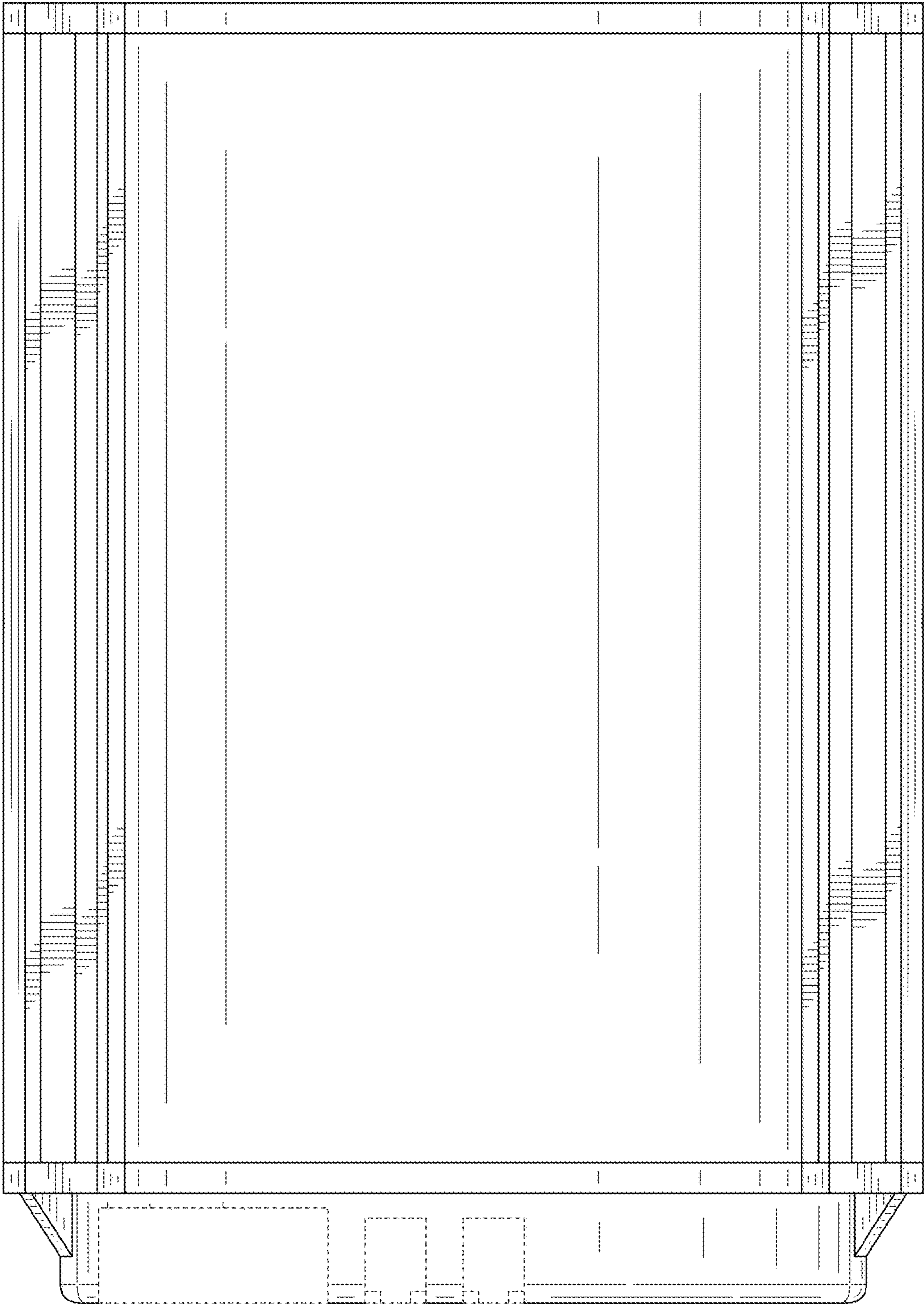


FIG. 6

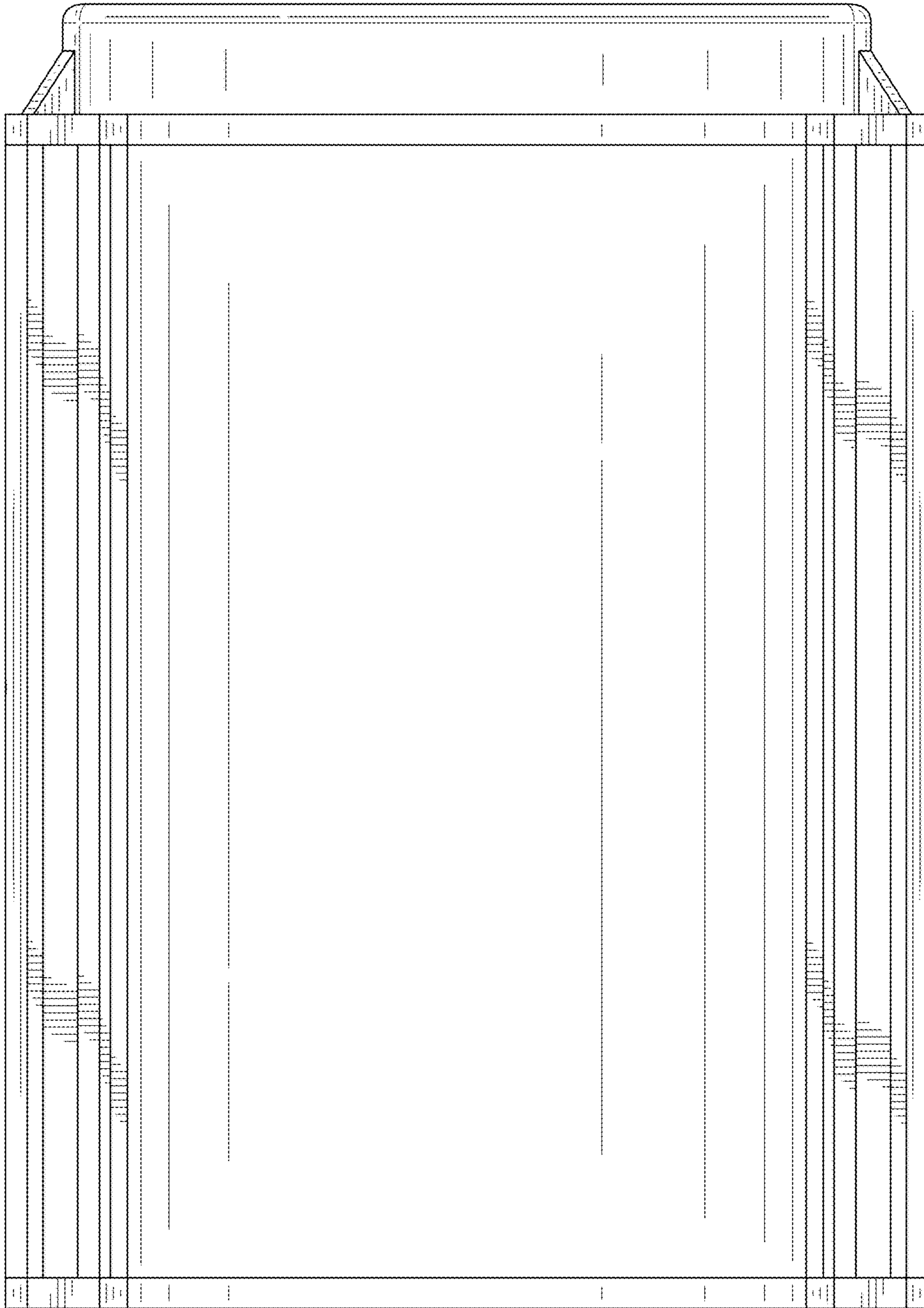


FIG. 7

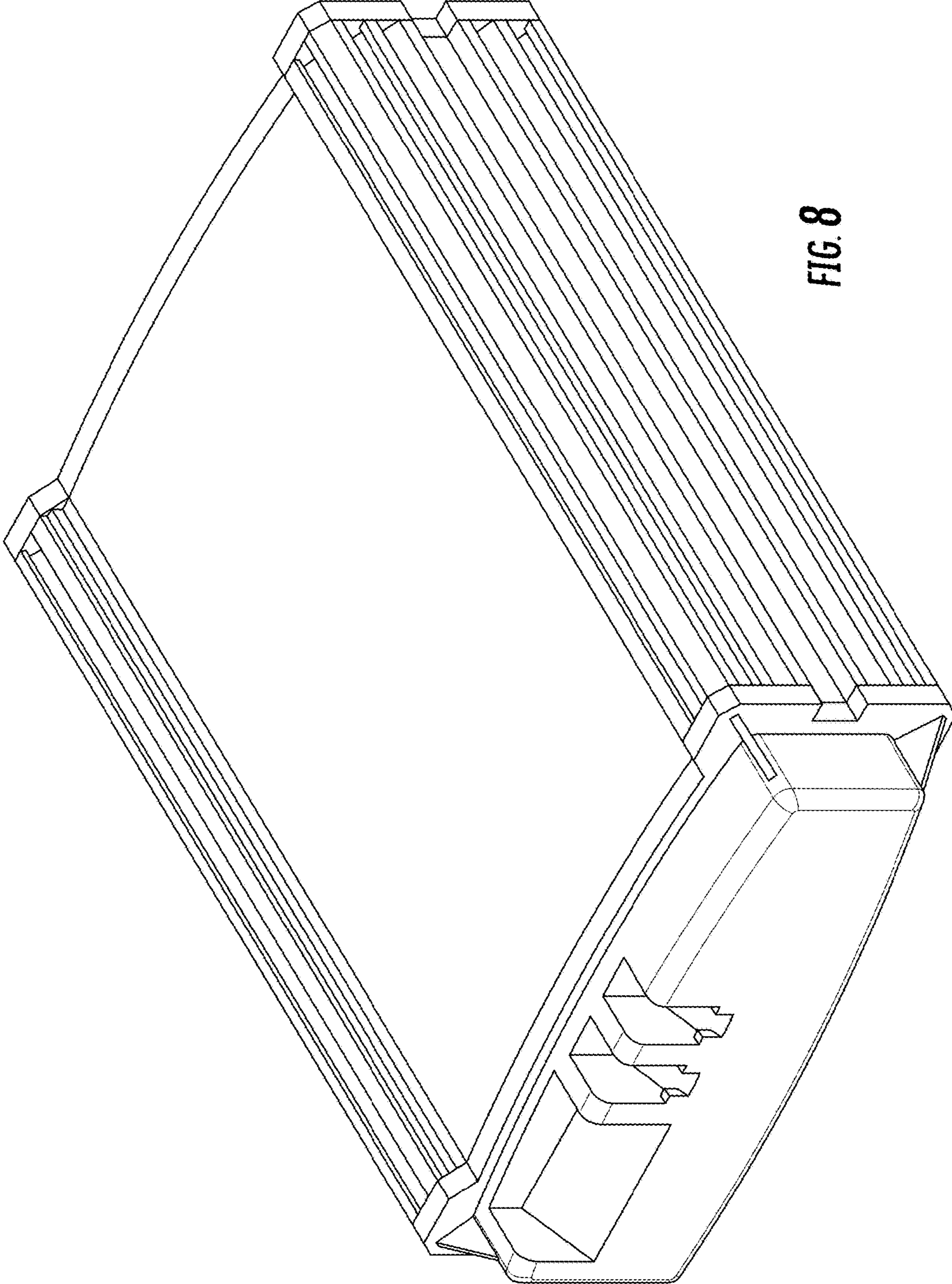


FIG. 8

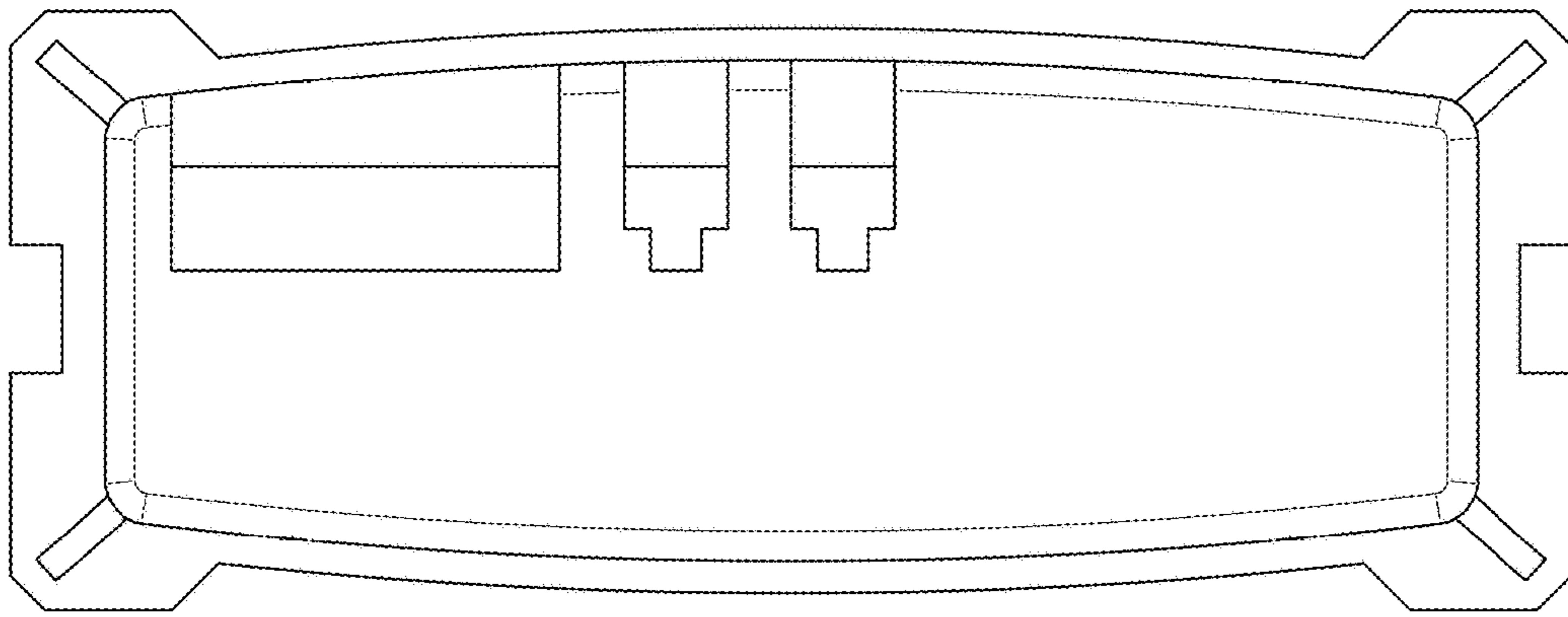


FIG. 9

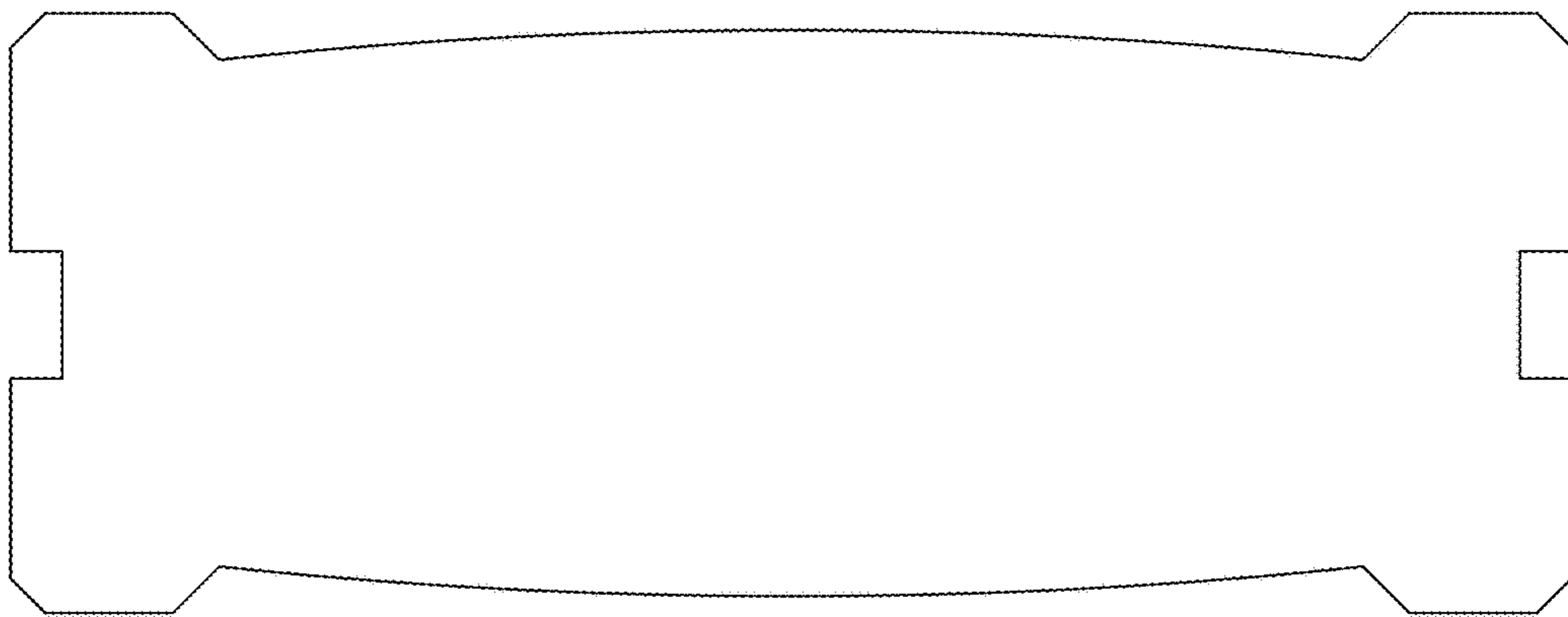


FIG. 10

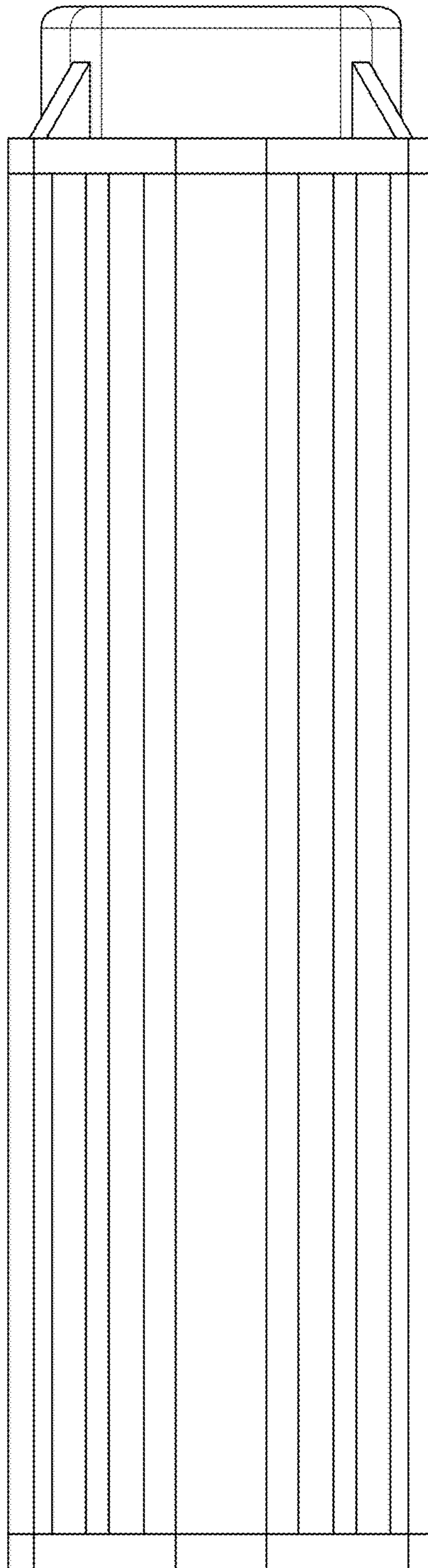


FIG. 11

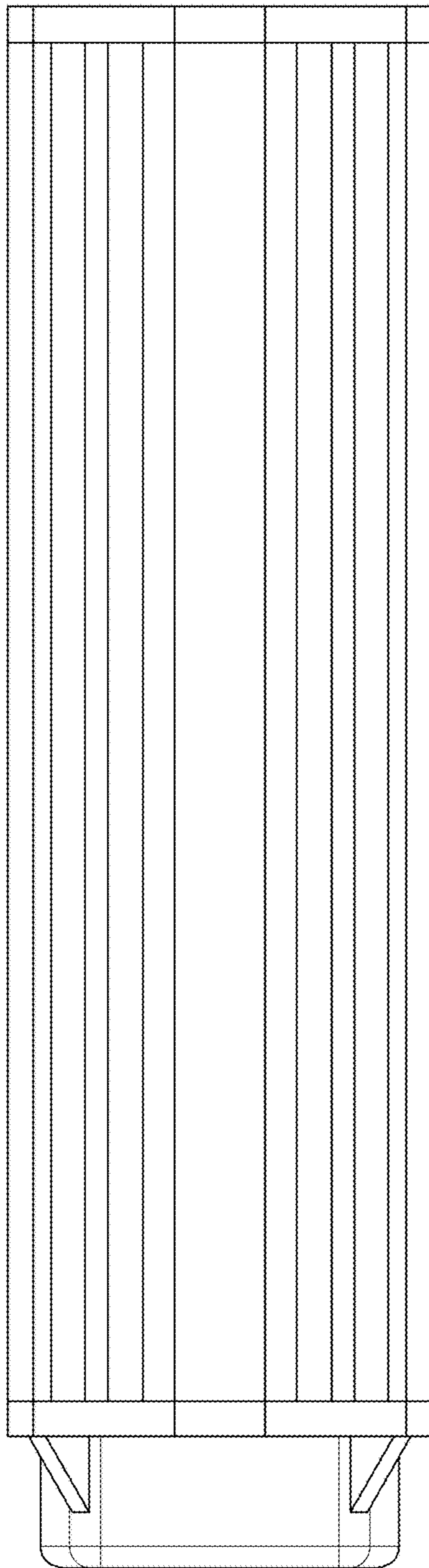


FIG. 12

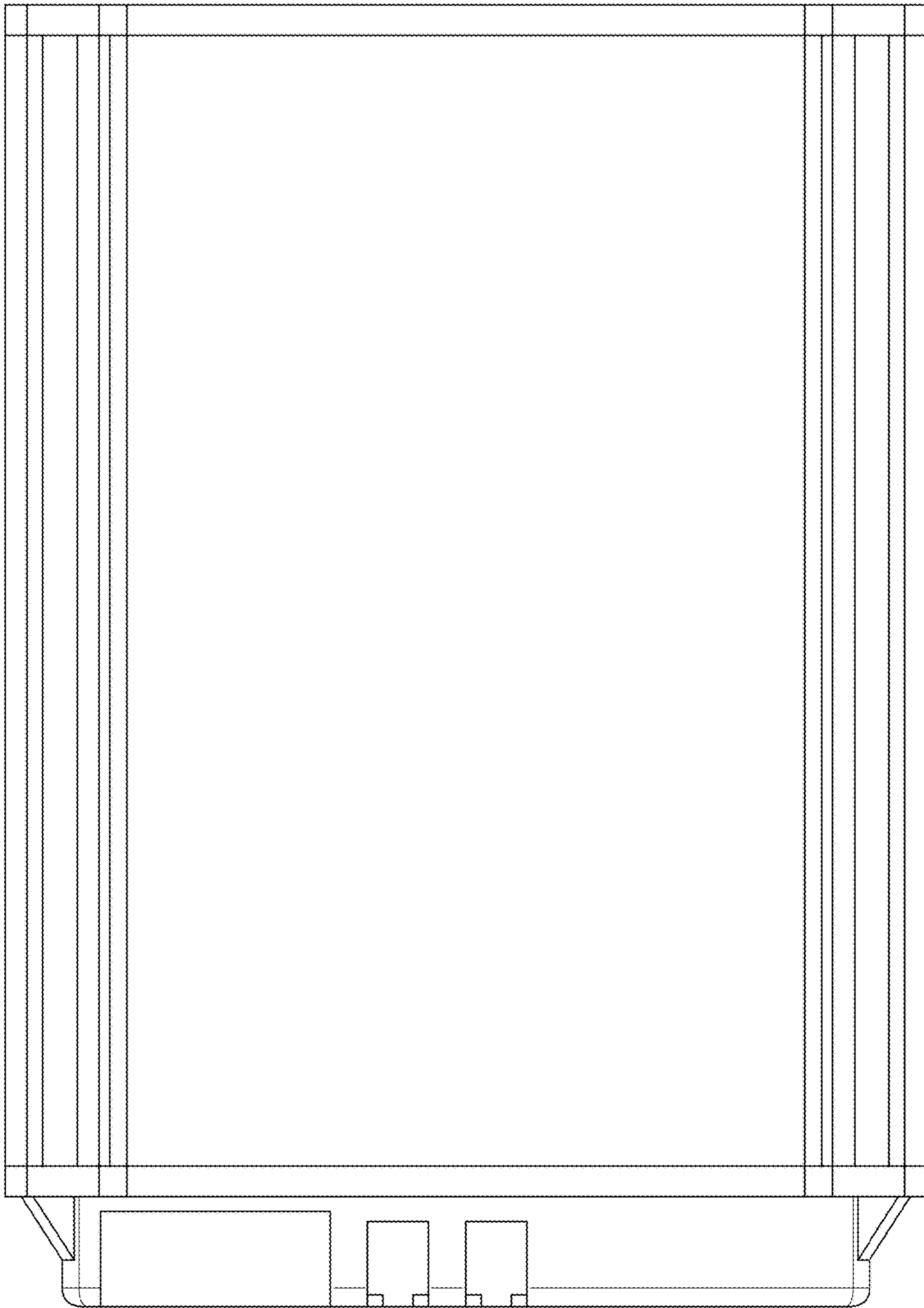


FIG. 13

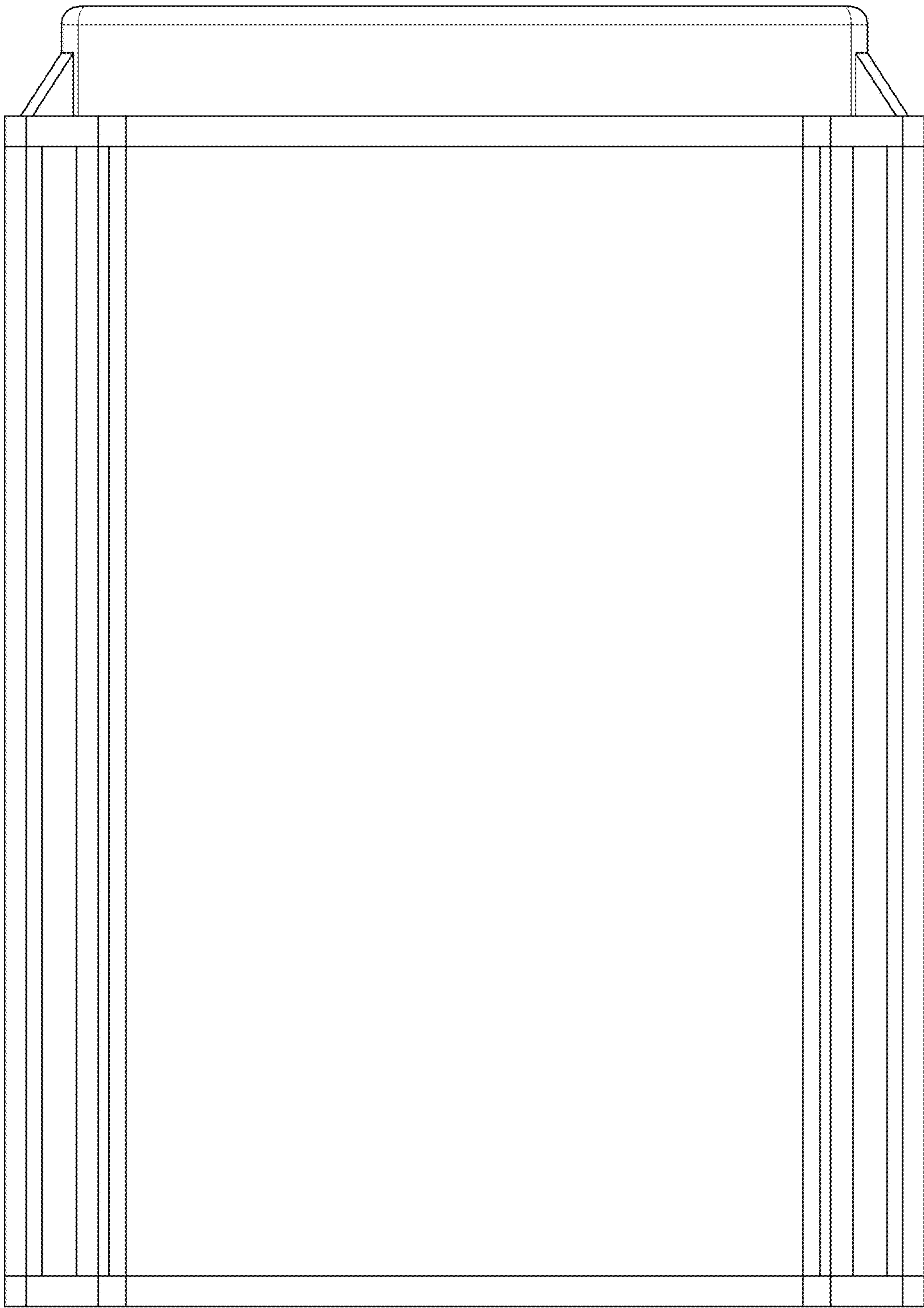


FIG. 14