



US00D820201S

(12) **United States Design Patent**
Delgatty et al.

(10) **Patent No.:** **US D820,201 S**
(45) **Date of Patent:** **** Jun. 12, 2018**

(54) **PORTABLE RECHARGEABLE BATTERY**
(71) Applicant: **URBAN626, LLC**, Pasadena, CA (US)
(72) Inventors: **Grant Delgatty**, Pasadena, CA (US);
Sven Etzelsberger, Pasadena, CA (US)
(73) Assignee: **URBAN626, LLC**, Pasadena, CA (US)
(**) Term: **15 Years**

D476,618 S * 7/2003 Wong D13/103
D544,462 S * 6/2007 Patel D14/155
D546,277 S * 7/2007 Andre D13/103
D584,224 S * 1/2009 Mori D13/103
D654,852 S * 2/2012 Hansen D13/103
D680,062 S * 4/2013 Lien D13/103
D689,019 S * 9/2013 Sato D13/103
D743,887 S * 11/2015 Dasbach D13/110
D788,698 S * 6/2017 Lin D13/103
2006/0244418 A1 * 11/2006 Liao H01M 2/1022
320/112
2018/0079319 A1 3/2018 Etzelsberger et al.

(21) Appl. No.: **29/588,902**
(22) Filed: **Dec. 23, 2016**
(51) **LOC (11) Cl.** **13-02**
(52) **U.S. Cl.**
USPC **D13/103**
(58) **Field of Classification Search**
USPC D13/102–108, 110, 118–119, 184, 199;
D14/251, 253, 432, 434
CPC Y02E 60/12; Y02E 60/122; Y02E 60/124;
Y02E 60/50; H01M 2/02; H01M 2/022;
H01M 2/0202; H01M 2/0207; H01M
2/0212; H01M 2/1061; H01M 2/1022;
H01M 2/1055; H01M 2/1066; H01M
2/105; H01M 2/204; H01M 10/4257;
H01M 10/0436; H01M 10/48; Y02T
10/7005; Y02T 10/705; Y02T 10/7088;
H02J 7/0034; H02J 7/0054; H02J 7/1423;
H02J 2001/006
See application file for complete search history.

FOREIGN PATENT DOCUMENTS

CN 304466558 S 1/2018
JP 04358984 A 12/1992
WO 2018057767 A1 3/2018

* cited by examiner

Primary Examiner — Robert M. Spear
Assistant Examiner — Alison M Ofstun
(74) *Attorney, Agent, or Firm* — KPPB LLP

(57) **CLAIM**

The ornamental design for a portable rechargeable battery, as shown and described.

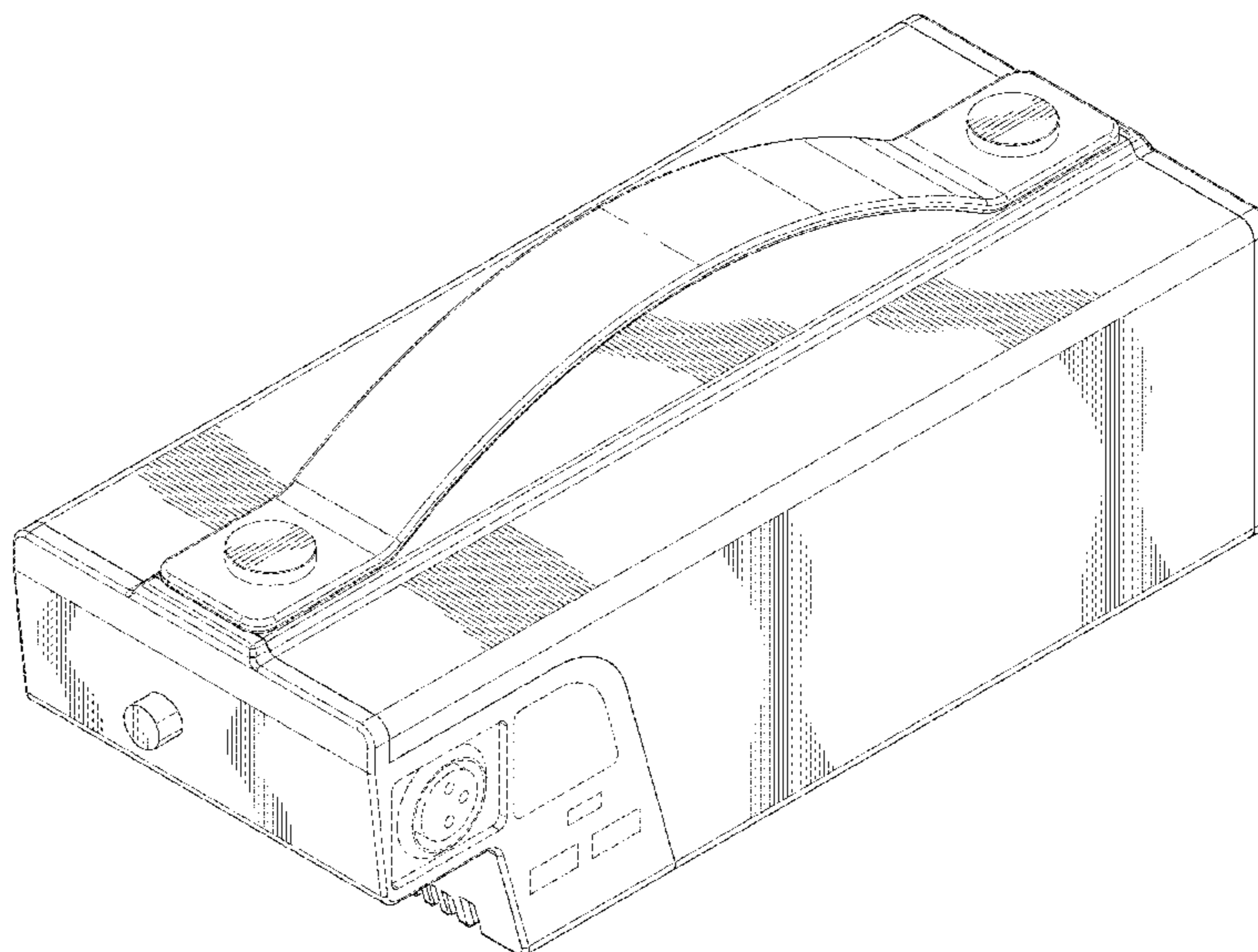
DESCRIPTION

FIG. 1 is a top perspective view of a portable rechargeable battery in accordance with our design; FIG. 2 is a bottom perspective view thereof; FIG. 3 is a first side view thereof; FIG. 4 is a second side view thereof; FIG. 5 is a third side view thereof; FIG. 6 is fourth side view thereof; FIG. 7 is a top view thereof; and, FIG. 8 is a bottom view thereof.

1 Claim, 7 Drawing Sheets

(56) **References Cited**
U.S. PATENT DOCUMENTS

D331,906 S * 12/1992 Mohri D13/103
D337,984 S * 8/1993 Lindahl D13/103
5,741,305 A * 4/1998 Vincent A61N 1/39
439/500



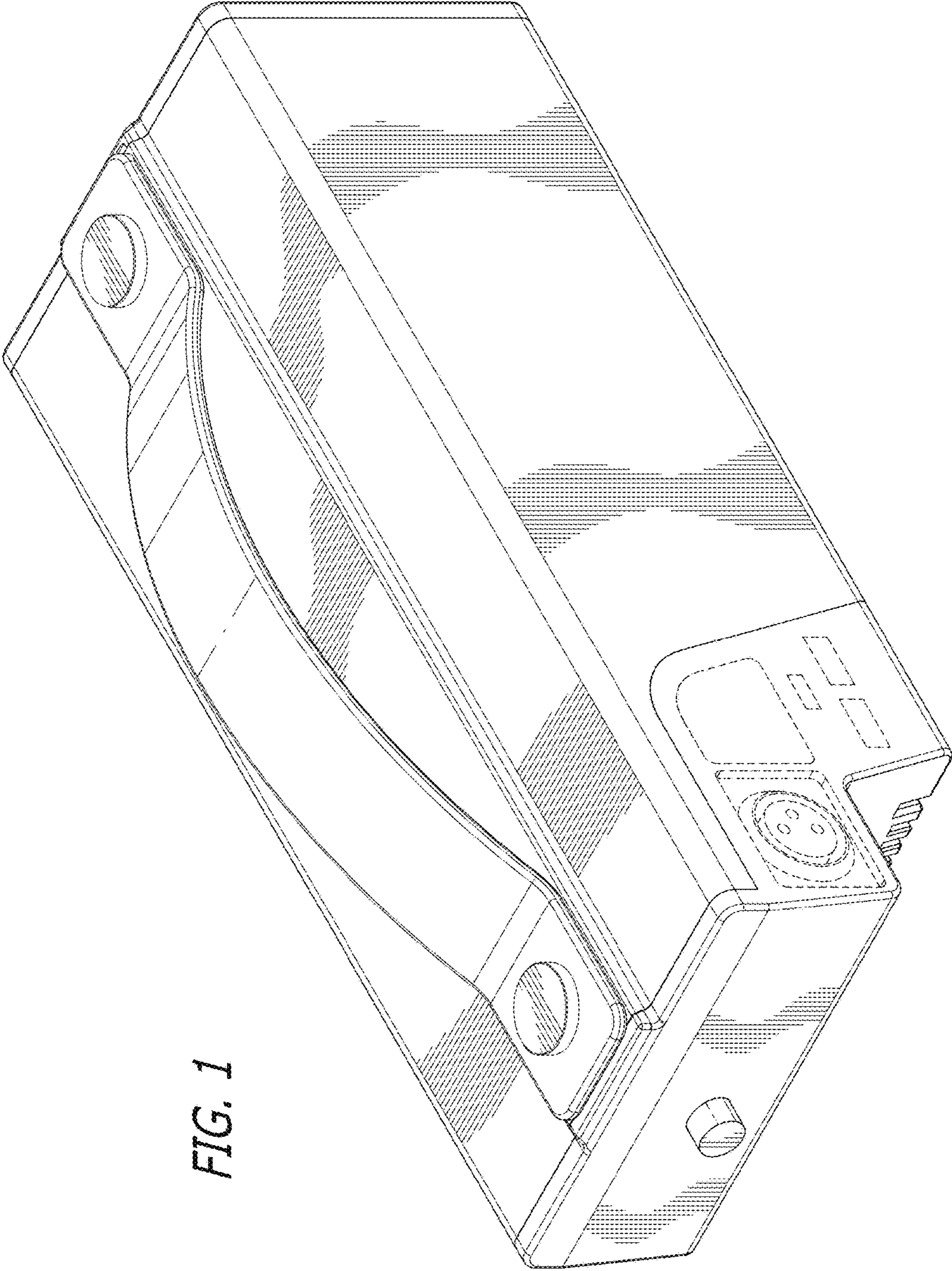


FIG. 1

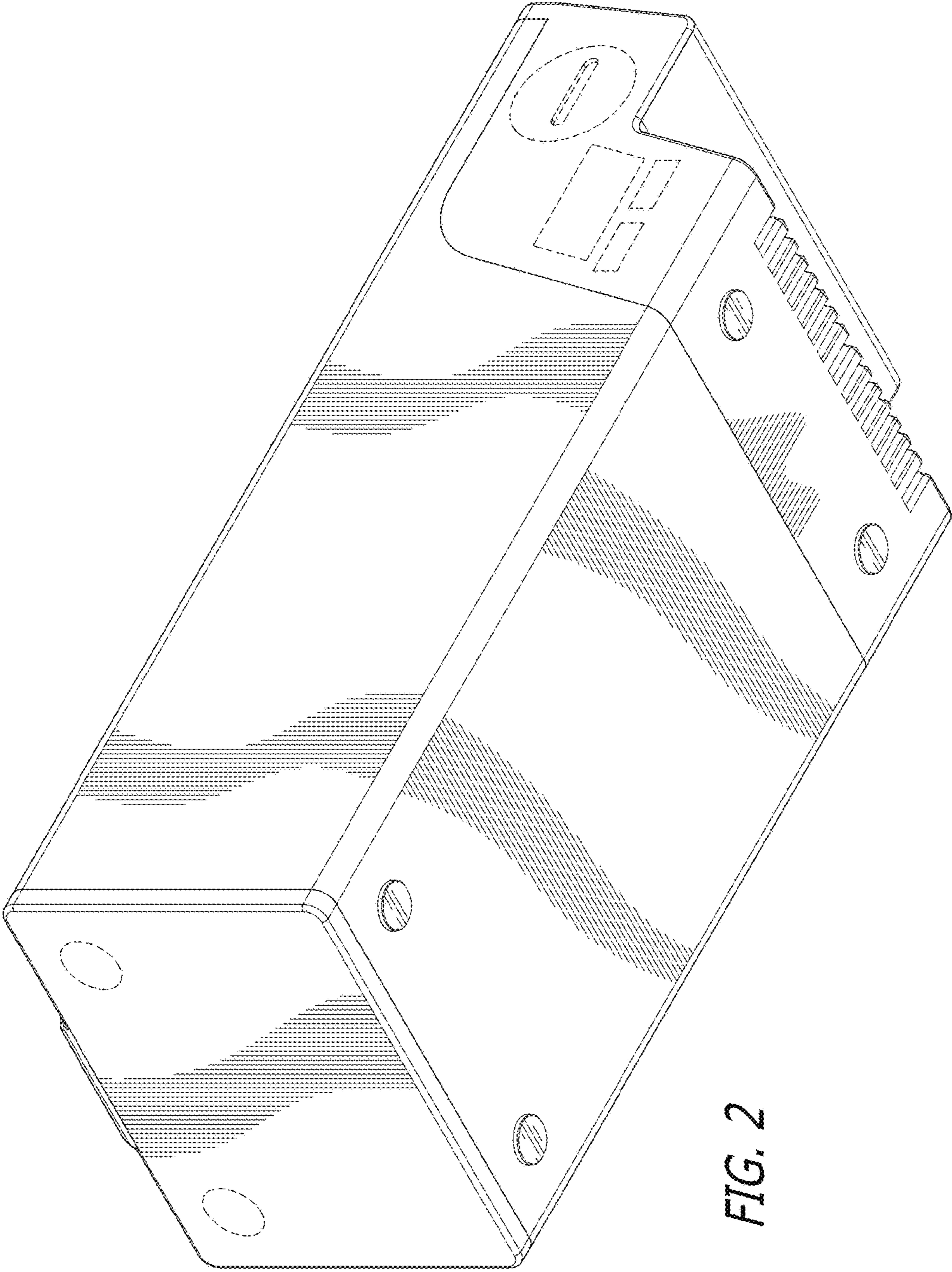


FIG. 2

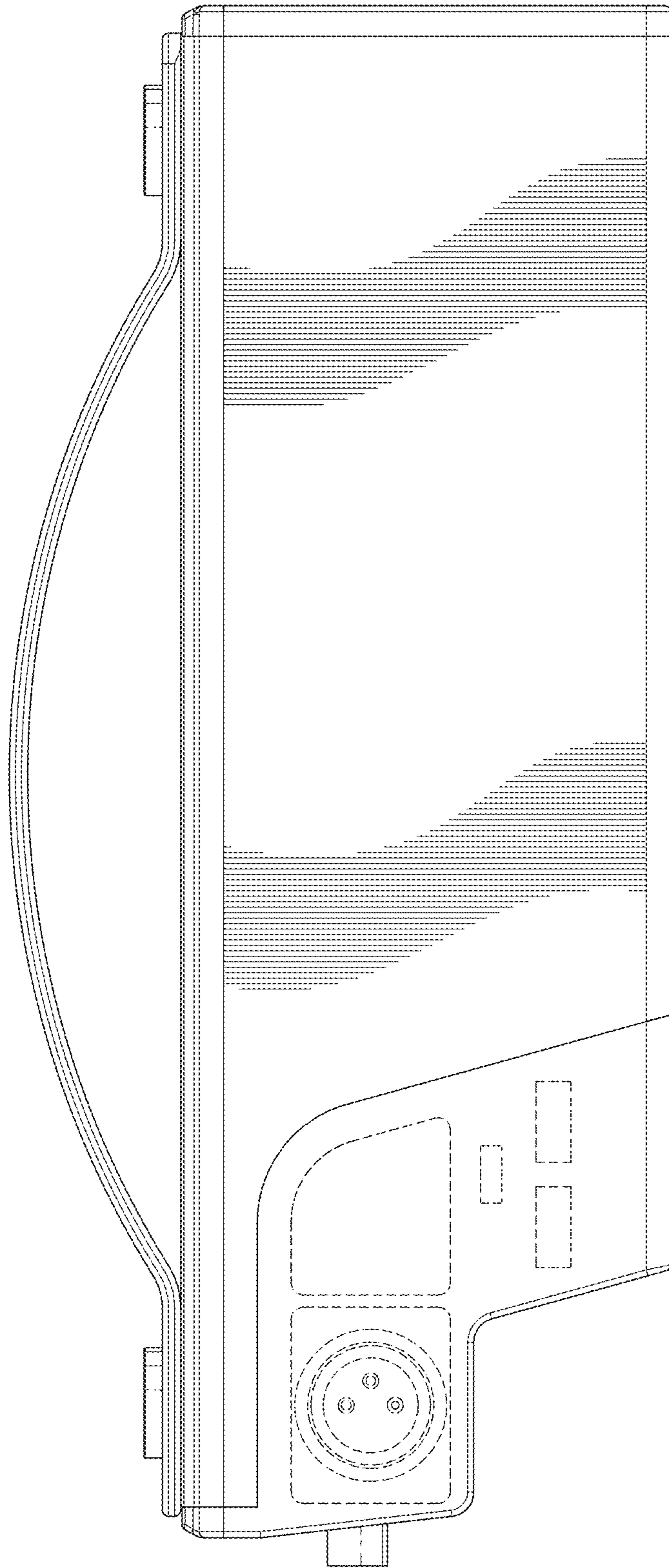


FIG. 3

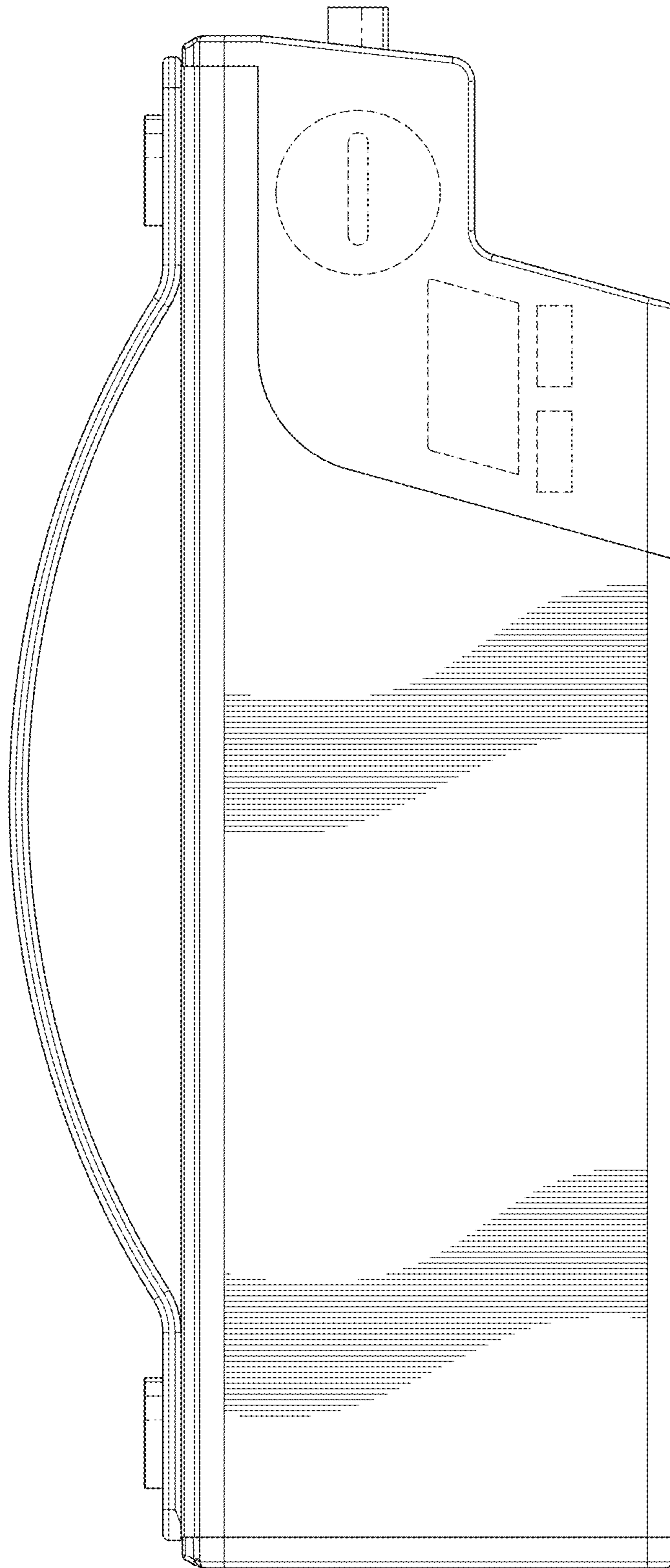


FIG. 4

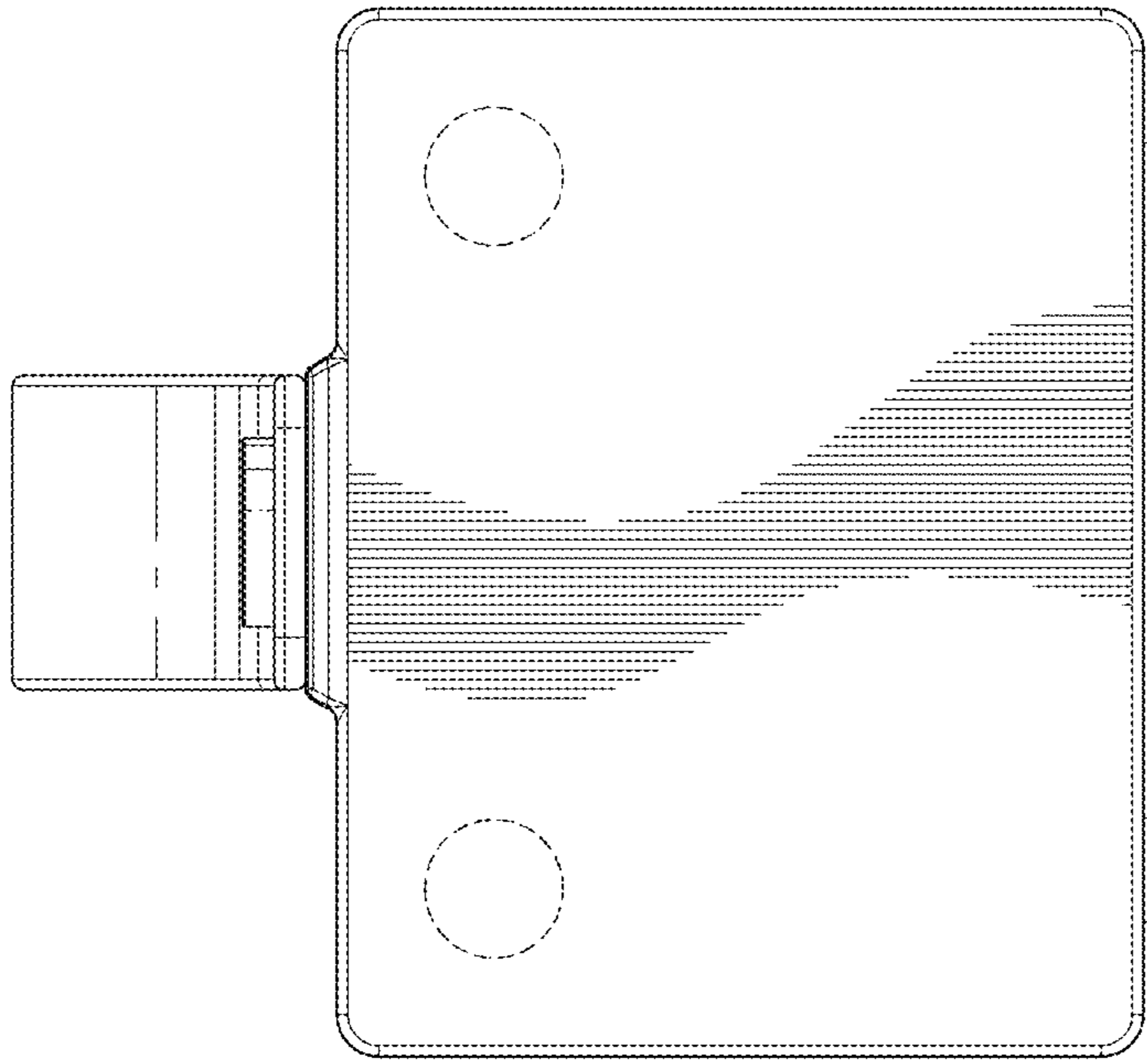


FIG. 6

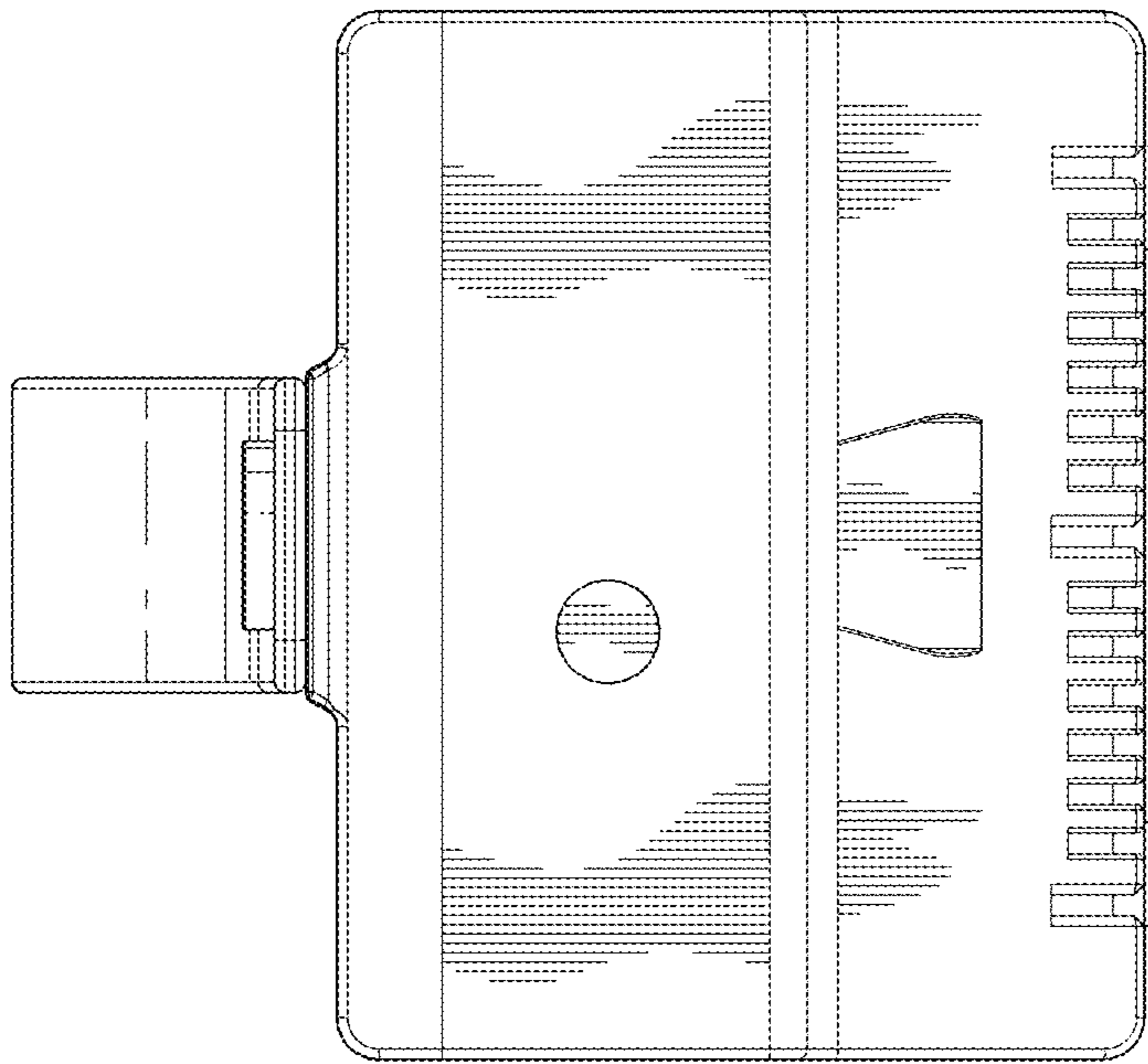


FIG. 5

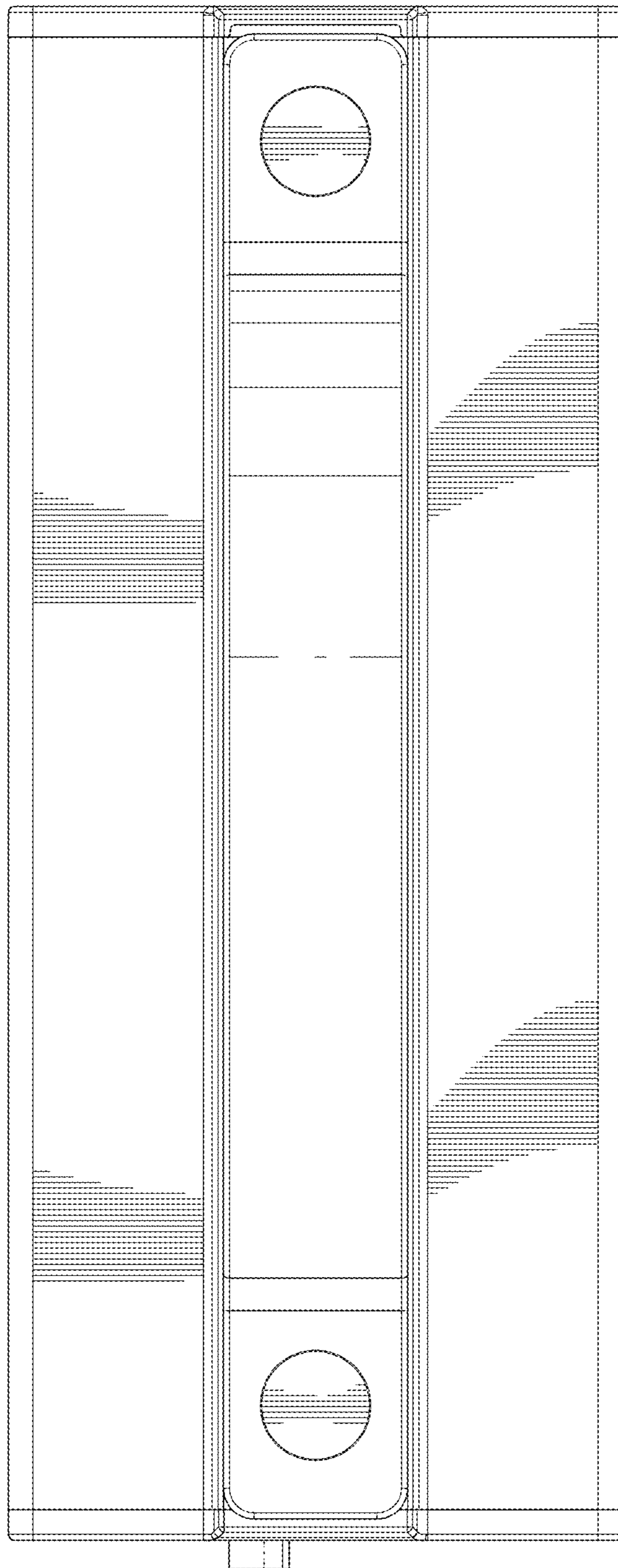


FIG. 7

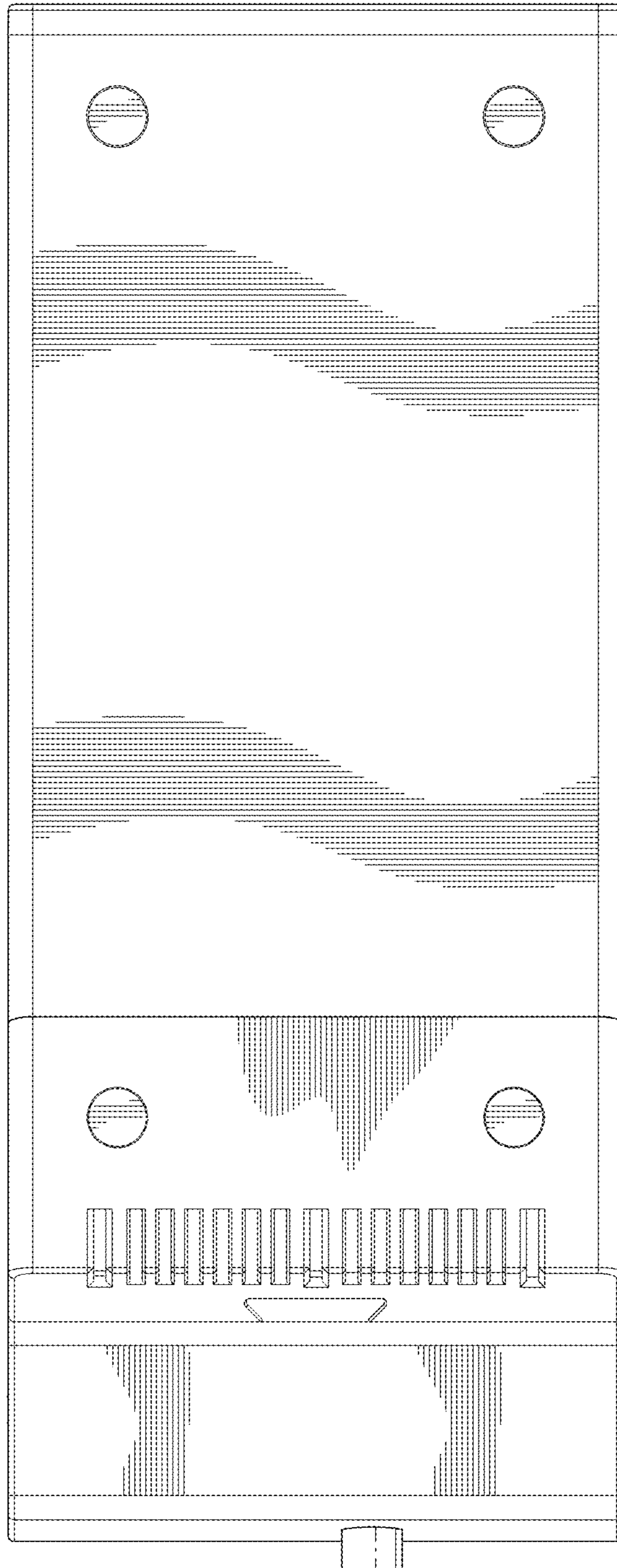


FIG. 8