



US00D820198S

(12) **United States Design Patent**  
**Smith et al.**

(10) **Patent No.:** **US D820,198 S**  
(45) **Date of Patent:** **\*\* Jun. 12, 2018**

(54) **BATTERY**

(71) Applicant: **Accutronics Ltd.**,  
Newcastle-under-Lyme (GB)

(72) Inventors: **Lee Smith**, Beaconside (GB); **Dale Comley**, Beaconside (GB)

(73) Assignee: **Accutronics, LTD** (GB)

(\*\*) Term: **15 Years**

(21) Appl. No.: **29/562,311**

(22) Filed: **Apr. 25, 2016**

(30) **Foreign Application Priority Data**

Oct. 26, 2015 (EP) ..... 002837088

(51) **LOC (11) Cl.** ..... **13-02**

(52) **U.S. Cl.**  
USPC ..... **D13/103**

(58) **Field of Classification Search**

USPC ..... D13/102-106, 110, 118-119, 184  
CPC ..... Y02E 60/12; Y02E 60/122; Y02E 60/124;  
Y02E 60/50; H01M 2/02; H01M 2/022;  
H01M 2/0202; H01M 2/0207; H01M  
2/0212; H01M 2/1061; H01M 2/1022;  
H01M 2/1055; H01M 2/1066; H01M  
2/105; H01M 2/204; H01M 2/1016;  
H01M 2200/00; H01M 10/4257; H01M  
10/0436; H01M 10/48; H01M 10/42

See application file for complete search history.

(56) **References Cited**

**U.S. PATENT DOCUMENTS**

3,696,283 A 10/1972 Ackley, III  
D225,109 S 11/1972 Flider

(Continued)

**OTHER PUBLICATIONS**

Unofficial Copy OHIM\_002837088-0001 Office for Harmonization  
in the Internal Market, Certificate of Registration: 6 pages; Oct. 26,  
2015.

(Continued)

*Primary Examiner* — Rosemary K Tarcza  
*Assistant Examiner* — Nathaniel D. Buckner

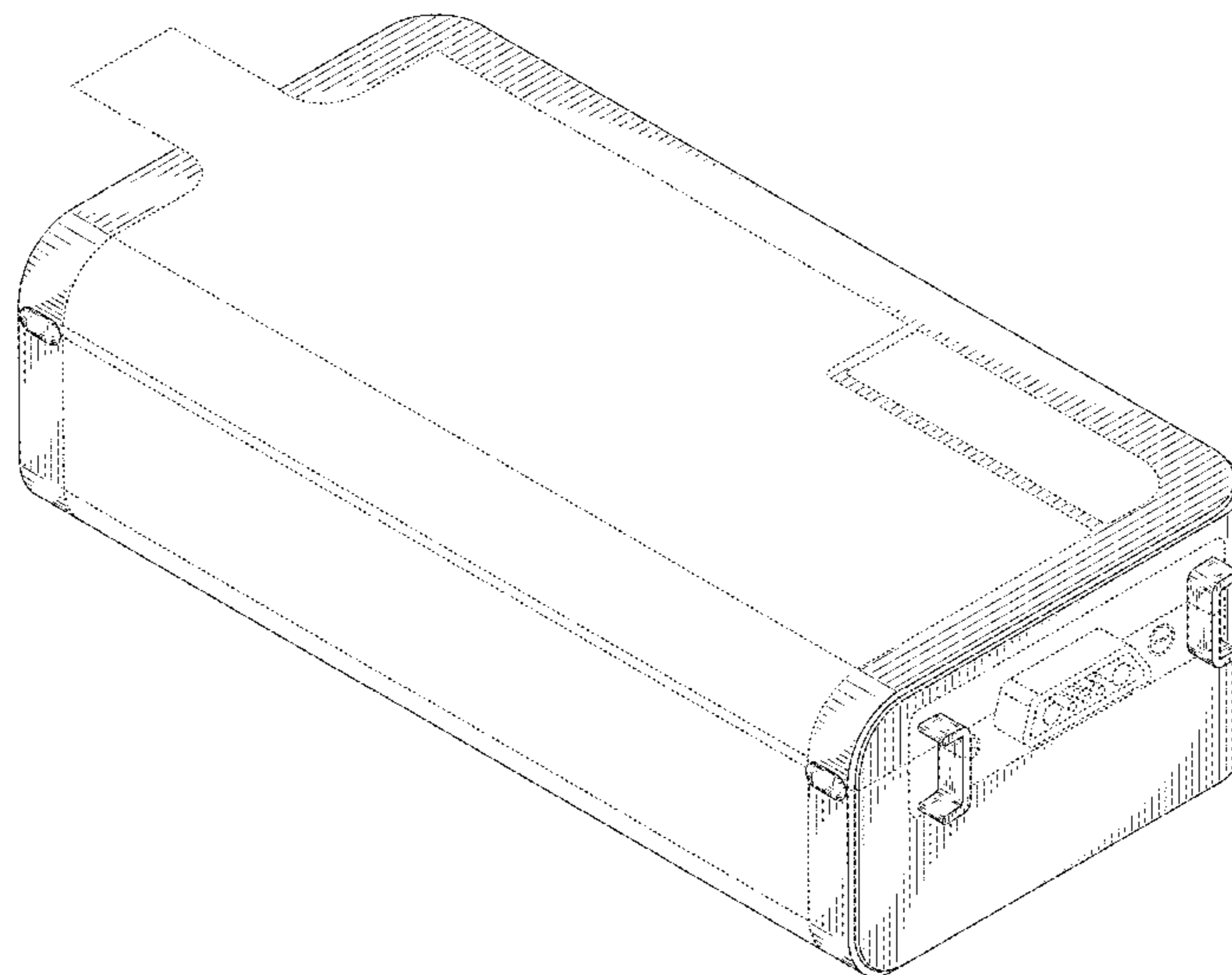
(57) **CLAIM**

The ornamental design for a battery, as shown and described.

**DESCRIPTION**

FIG. 1 is a perspective view of a first embodiment of a battery, showing our new design;  
FIG. 2 is a perspective view of a second embodiment of a battery, showing our new design;  
FIG. 3 is a left side of the design of FIG. 1;  
FIG. 4 is a top view of the design of FIG. 1;  
FIG. 5 is a front view of the design of FIG. 1;  
FIG. 6 is a bottom view of the design of FIG. 1;  
FIG. 7 is a back view of the design of FIG. 1;  
FIG. 8 is a perspective view of an embodiment of our new design of our new battery;  
FIG. 9 is a right side view of the design of FIG. 8;  
FIG. 10 is a left side of the design of FIG. 8;  
FIG. 11 is a top view of the design of FIG. 8;  
FIG. 12 is a front view of the design of FIG. 8;  
FIG. 13 is a bottom view of the design of FIG. 8;  
FIG. 14 is a back view of the design of FIG. 8;  
FIG. 15 is a perspective view of a third embodiment of a battery, showing our new design;  
FIG. 16 is a right side view of the design of FIG. 15;  
FIG. 17 is a left side of the design of FIG. 15;  
FIG. 18 is a top view of the design of FIG. 15;  
FIG. 19 is a front view of the design of FIG. 15;  
FIG. 20 is a bottom view of the design of FIG. 15; and,  
FIG. 21 is a back view of the design of FIG. 15.  
The broken lines in the figures represent portions of the article which form no part of the claimed design.

**1 Claim, 17 Drawing Sheets**



(56)

References Cited

U.S. PATENT DOCUMENTS

D236,493 S 8/1975 Kaye  
 4,403,182 A 9/1983 Yeh  
 D278,703 S 5/1985 Chiodo et al.  
 D286,770 S 11/1986 Melcher  
 5,221,210 A 6/1993 Bormuth et al.  
 D366,631 S 1/1996 Weder et al.  
 D388,764 S 1/1998 Bartling et al.  
 D409,562 S 5/1999 Johansson et al.  
 D519,919 S 5/2006 Yokota  
 D524,241 S \* 7/2006 Takeshita ..... D13/103  
 D555,587 S 11/2007 Yamamoto et al.  
 D565,558 S \* 4/2008 Liu ..... D14/240  
 D610,539 S 2/2010 Dahan et al.  
 D614,124 S 4/2010 Mistyurik  
 D623,125 S 9/2010 Kawabata et al.  
 D639,789 S \* 6/2011 Kim ..... D14/242  
 D642,517 S \* 8/2011 Inman ..... D13/103  
 8,054,041 B2 11/2011 Kim et al.  
 D654,850 S \* 2/2012 Obata ..... D13/103  
 8,312,937 B2 11/2012 Turner et al.  
 D674,333 S 1/2013 Lemelman et al.  
 D674,749 S \* 1/2013 Moore ..... D13/119  
 D675,622 S 2/2013 Petrick et al.  
 D680,950 S 4/2013 Nam et al.  
 D693,292 S 11/2013 Salvi et al.  
 8,632,900 B2 \* 1/2014 Kwag ..... H01M 2/0404  
 429/121

D700,136 S \* 2/2014 Morris ..... D13/103  
 8,895,180 B2 \* 11/2014 Ahn ..... H01M 2/021  
 429/164  
 D724,016 S \* 3/2015 Kwon ..... D13/103  
 D724,018 S \* 3/2015 Kwon ..... D13/103  
 D724,530 S \* 3/2015 Kwon ..... D13/103  
 D727,254 S 4/2015 Kinoshita  
 D731,412 S 6/2015 Geo et al.  
 D731,415 S 6/2015 Arakelian et al.  
 D733,043 S 6/2015 Hasbrook et al.  
 D733,045 S 6/2015 Venida et al.  
 D757,645 S 5/2016 Oliver et al.  
 2001/0007728 A1 7/2001 Ogata et al.  
 2006/0093899 A1 5/2006 Jeon et al.  
 2012/0194132 A1 8/2012 Ikegame  
 2017/0288436 A1 \* 10/2017 Reed ..... H02J 7/0063

OTHER PUBLICATIONS

Unofficial Copy OHIM \_ 002837088-0002 Office for Harmonization in the Internal Market, Certificate of Registration: 7 pages; Oct. 26, 2015.  
 Unofficial Copy OHIM \_ 002837088-0003 Office for Harmonization in the Internal Market, Certificate of Registration: 7 pages; Oct. 26, 2015.  
 Unofficial Copy OHIM \_ 002837088-0004 Office for Harmonization in the Internal Market, Certificate of Registration: 7 pages; Oct. 26, 2015.

\* cited by examiner

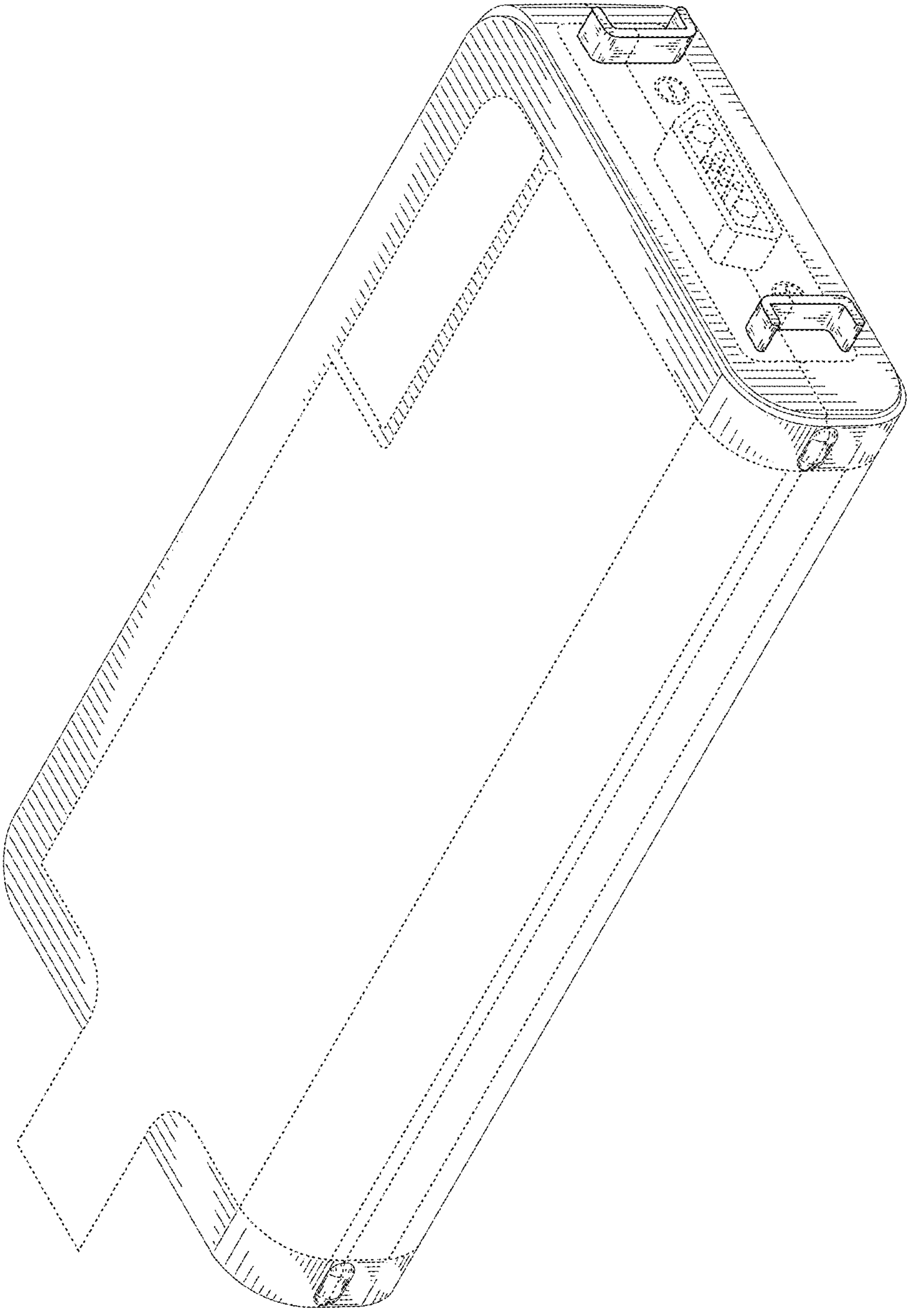


FIG. 1

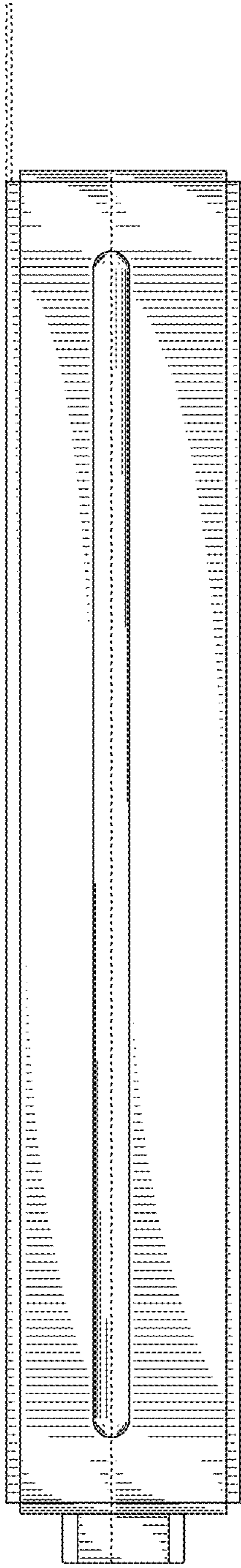


FIG. 2

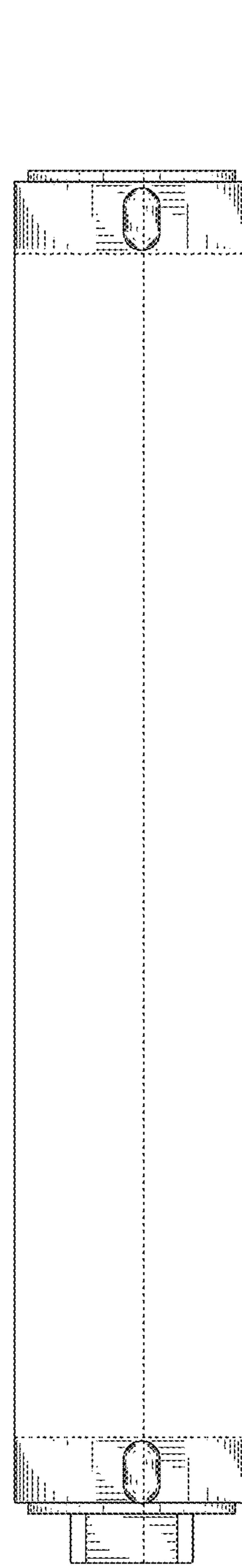


FIG. 3

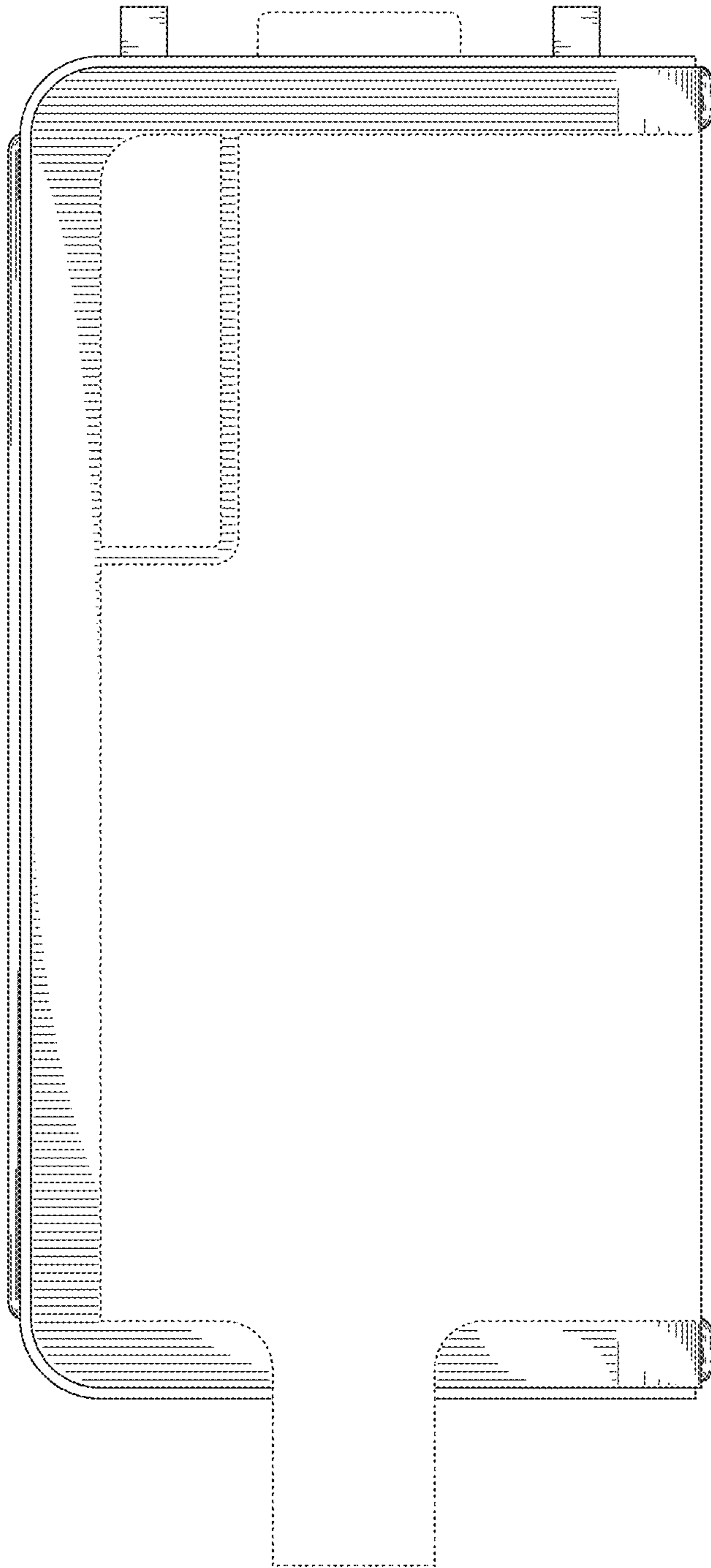


FIG. 4

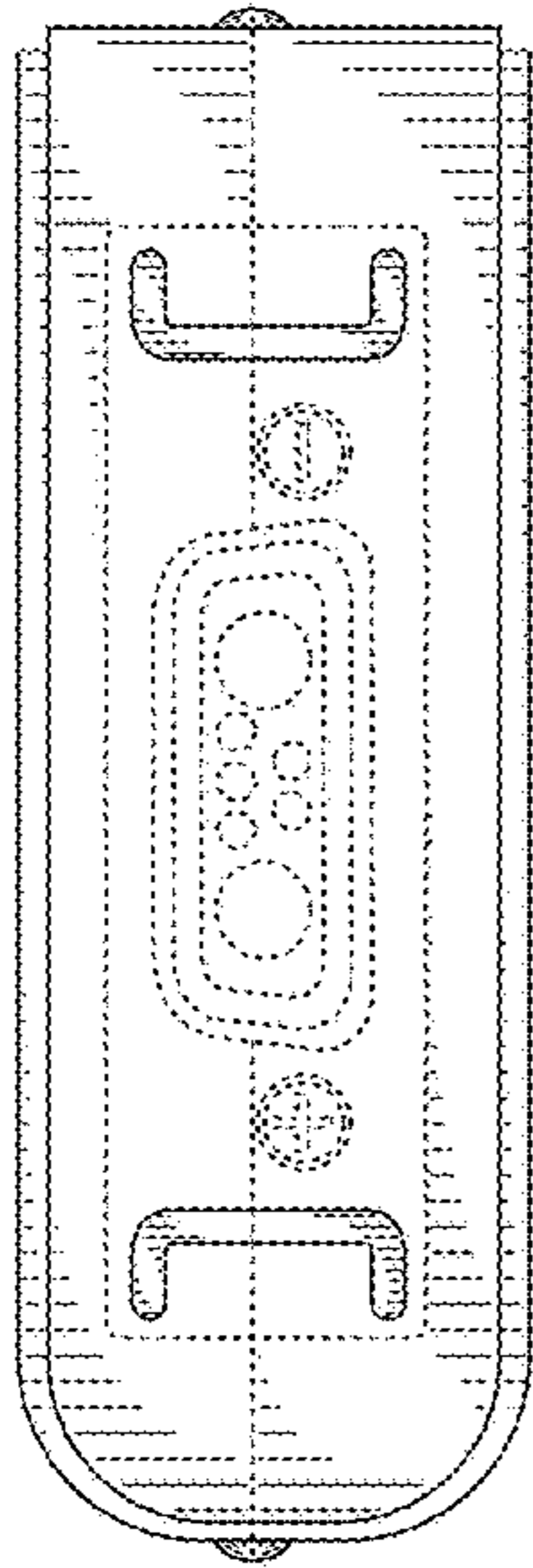


FIG. 5

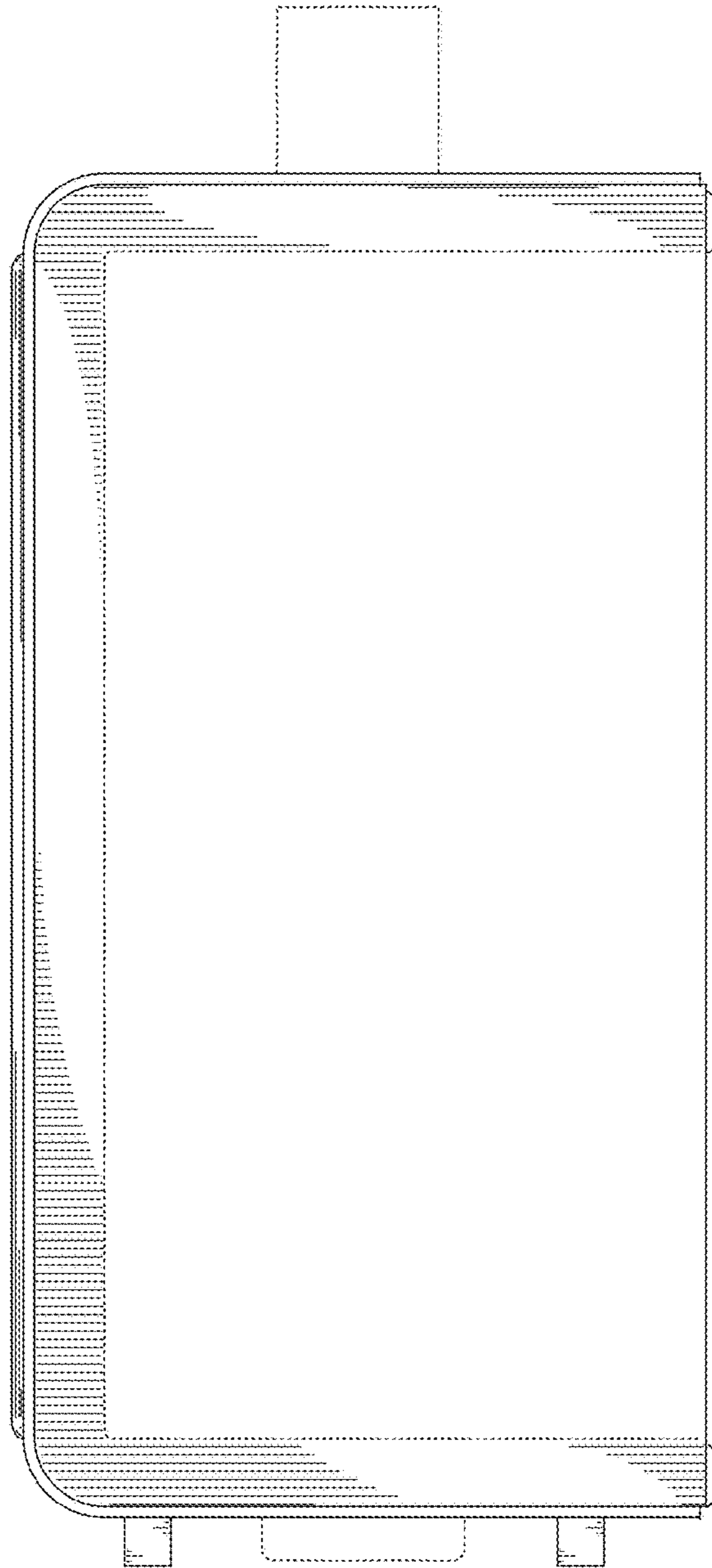


FIG. 6

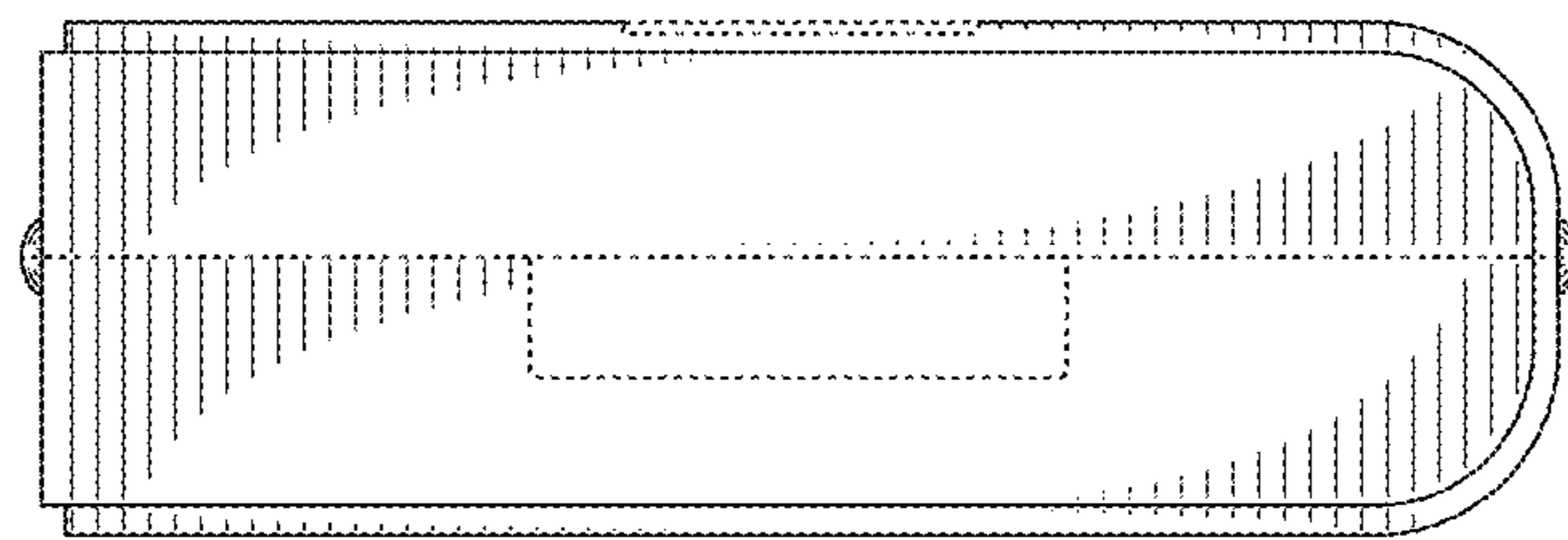


FIG. 7

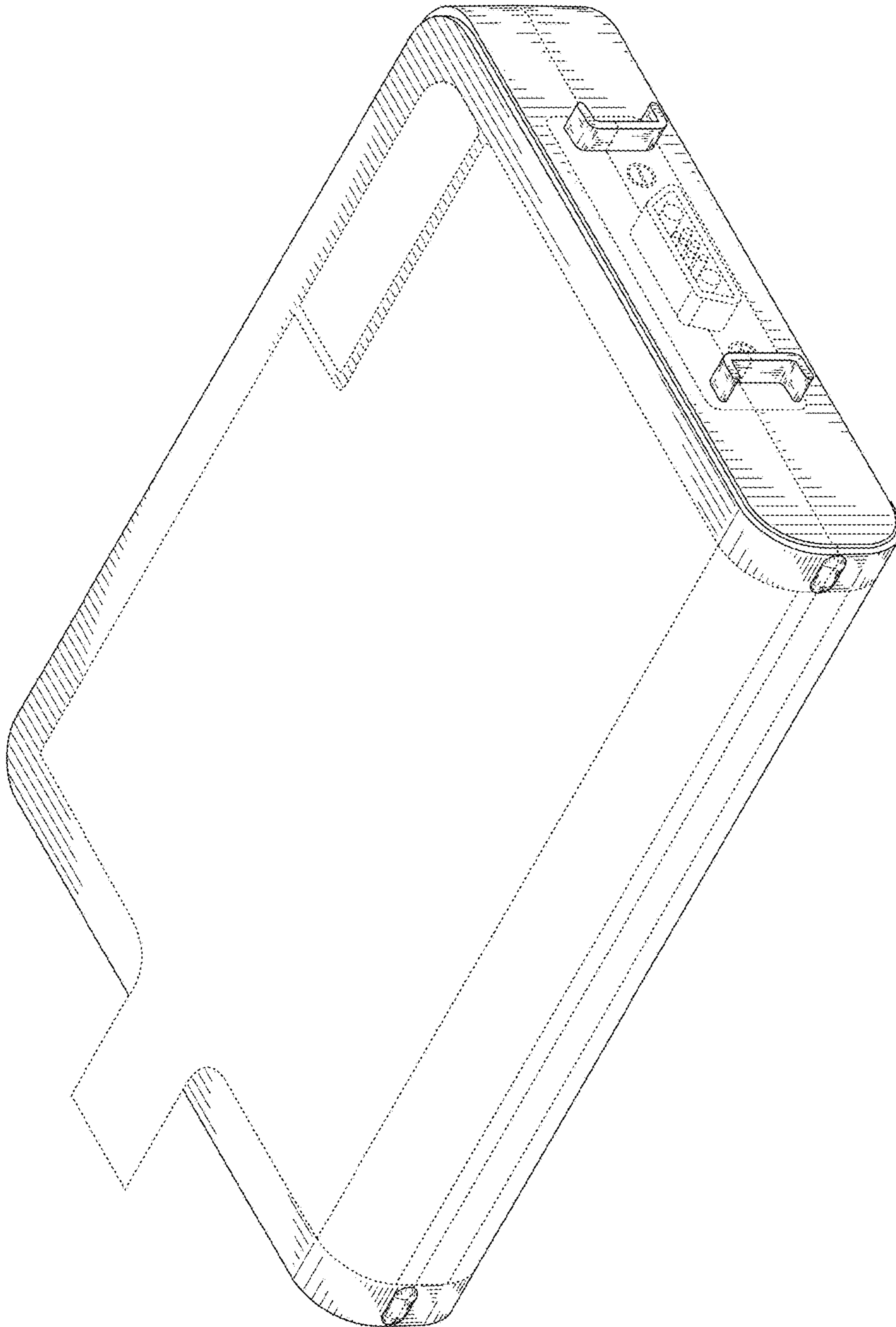


FIG. 8



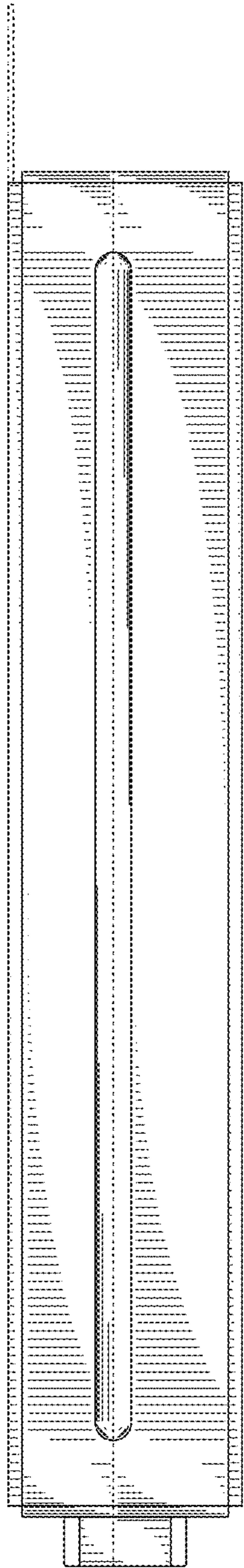


FIG. 9

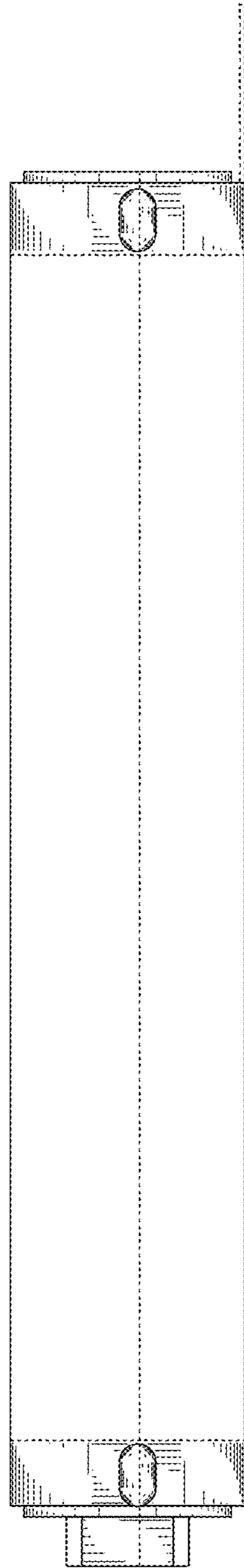


FIG. 10

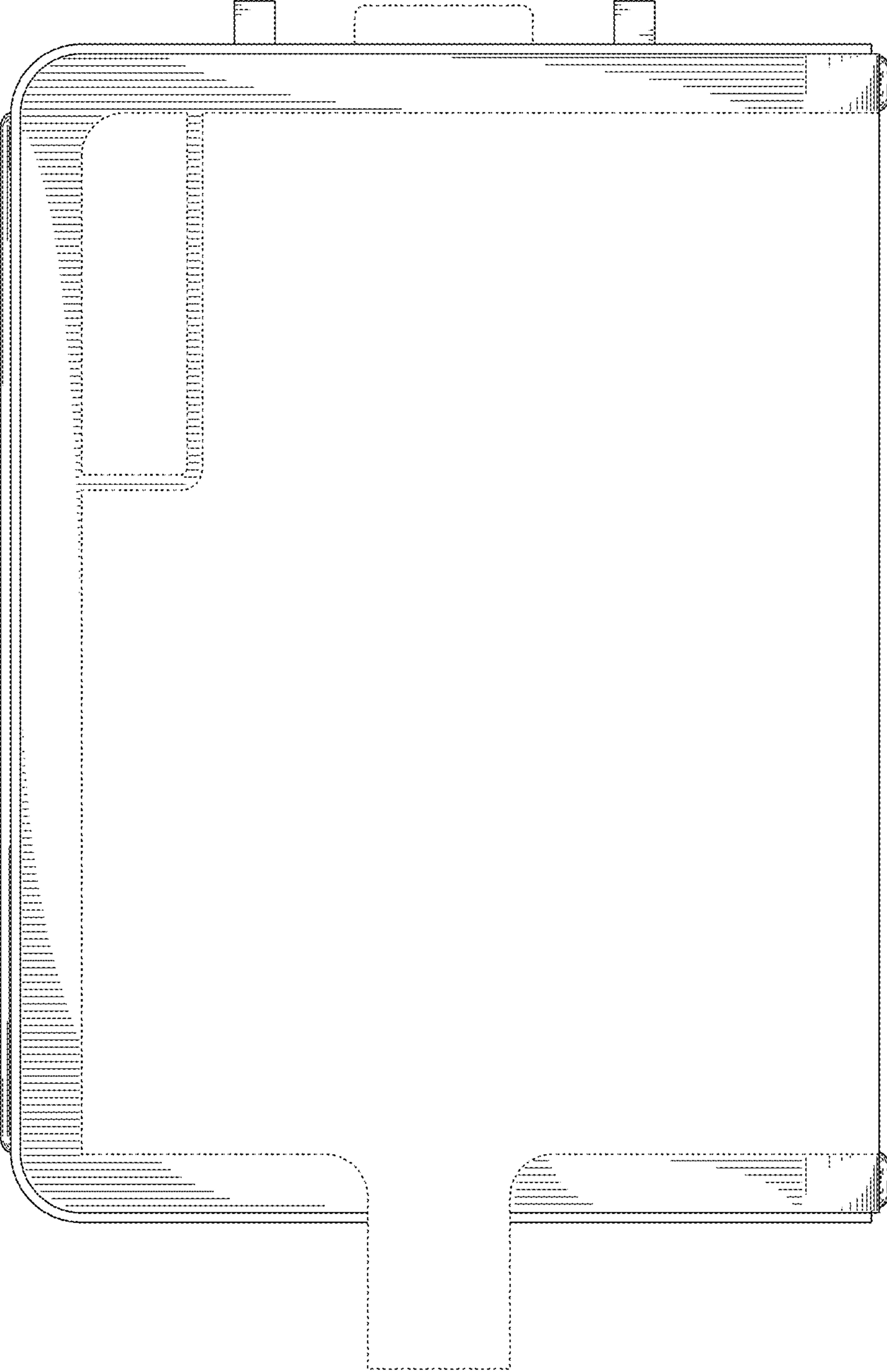


FIG. 11

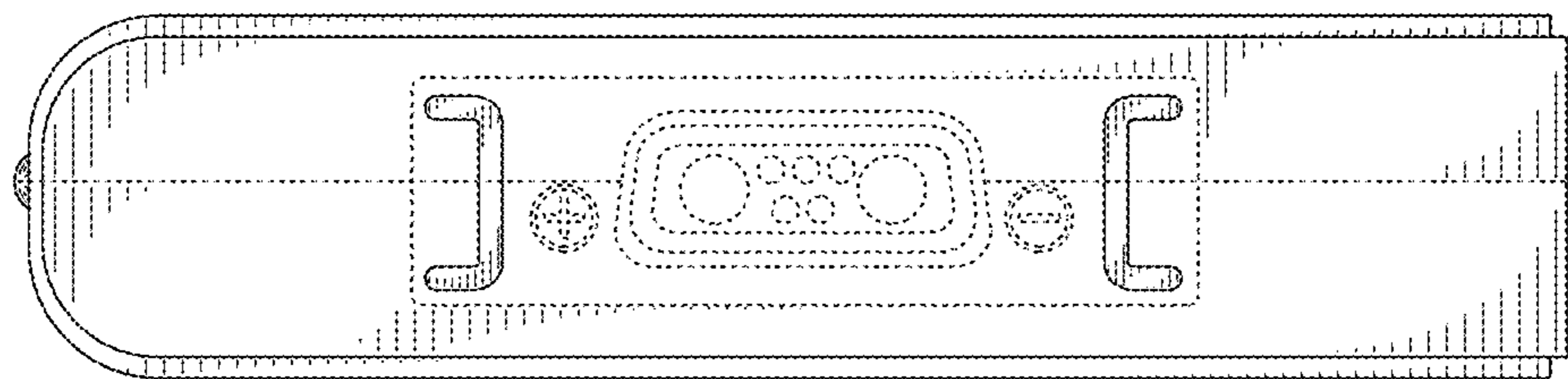


FIG. 12

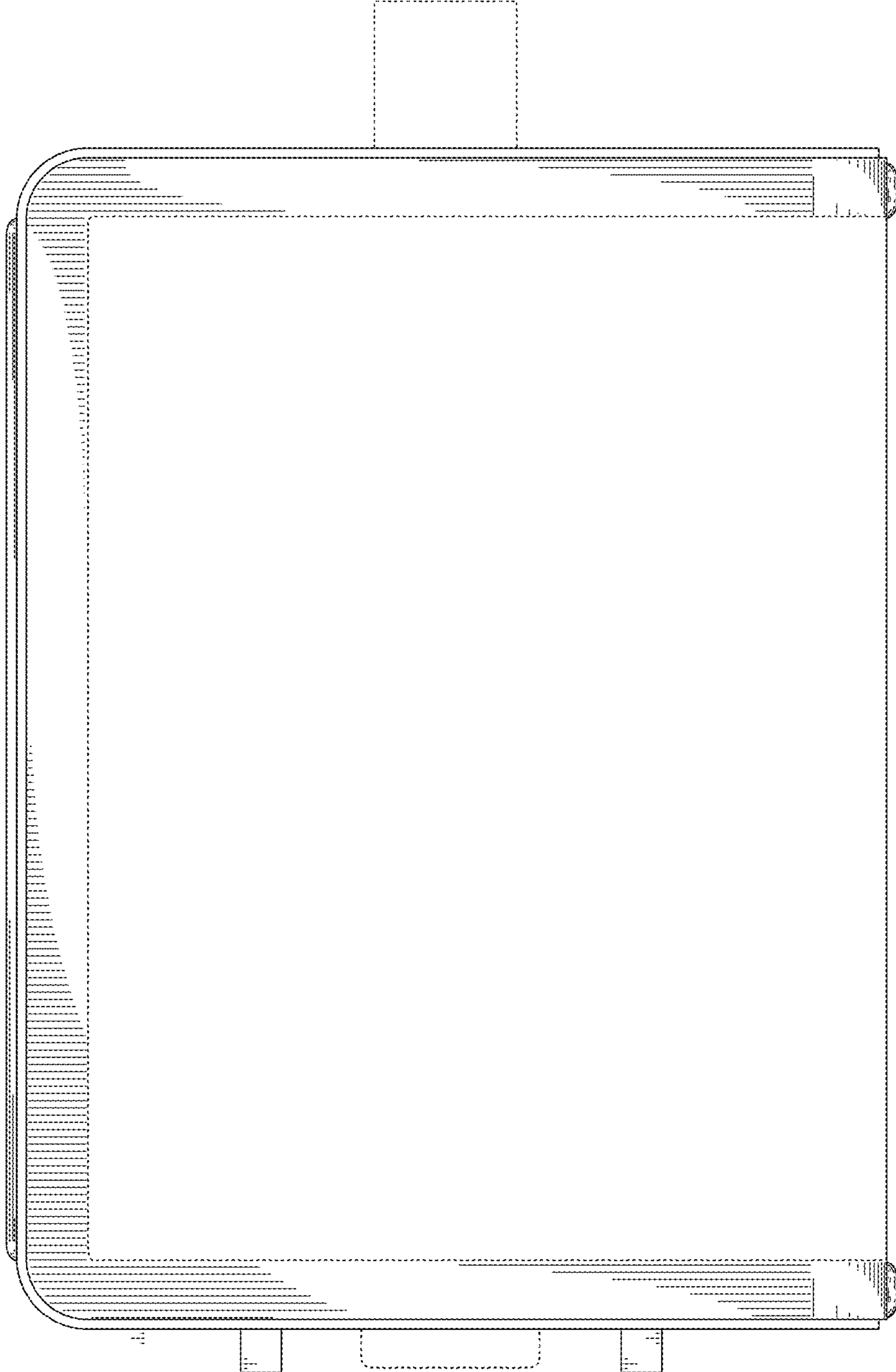


FIG. 13

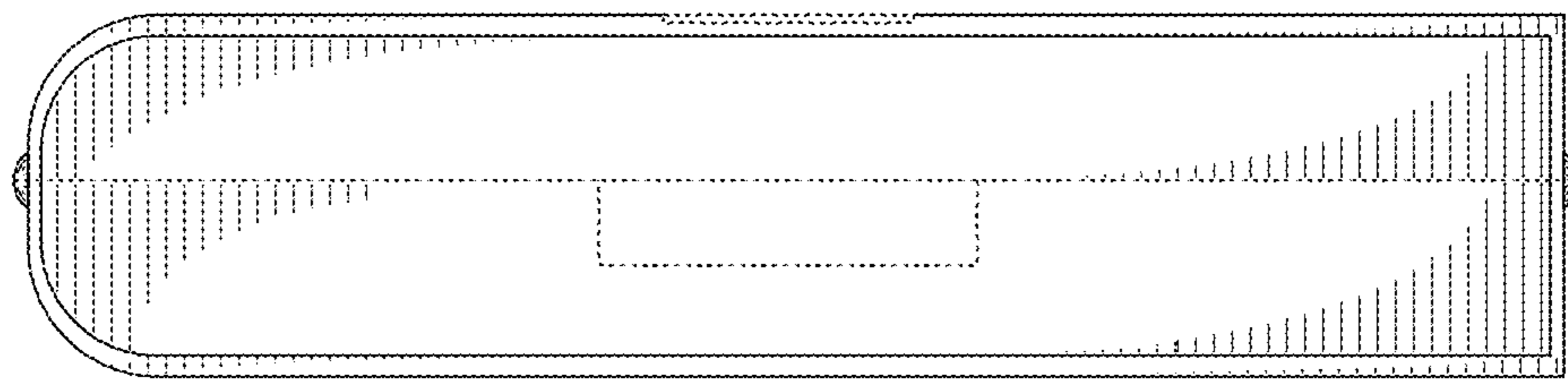


FIG. 14

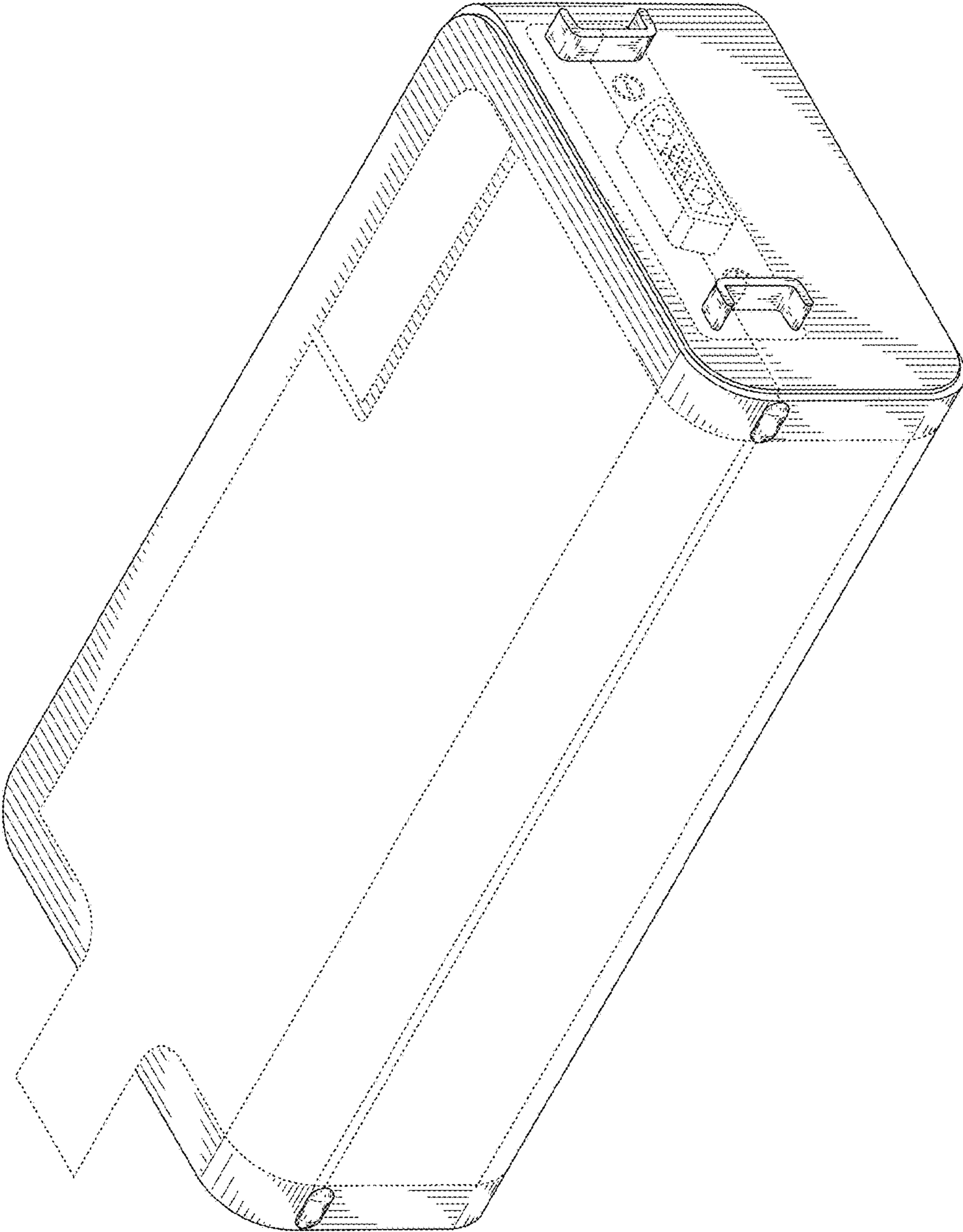


FIG. 15

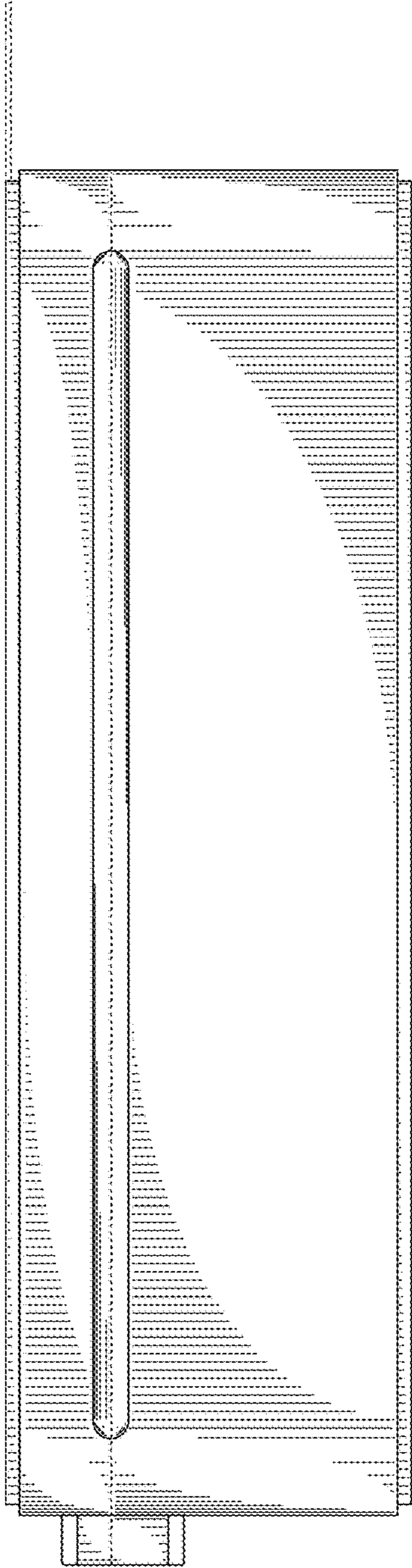


FIG. 16

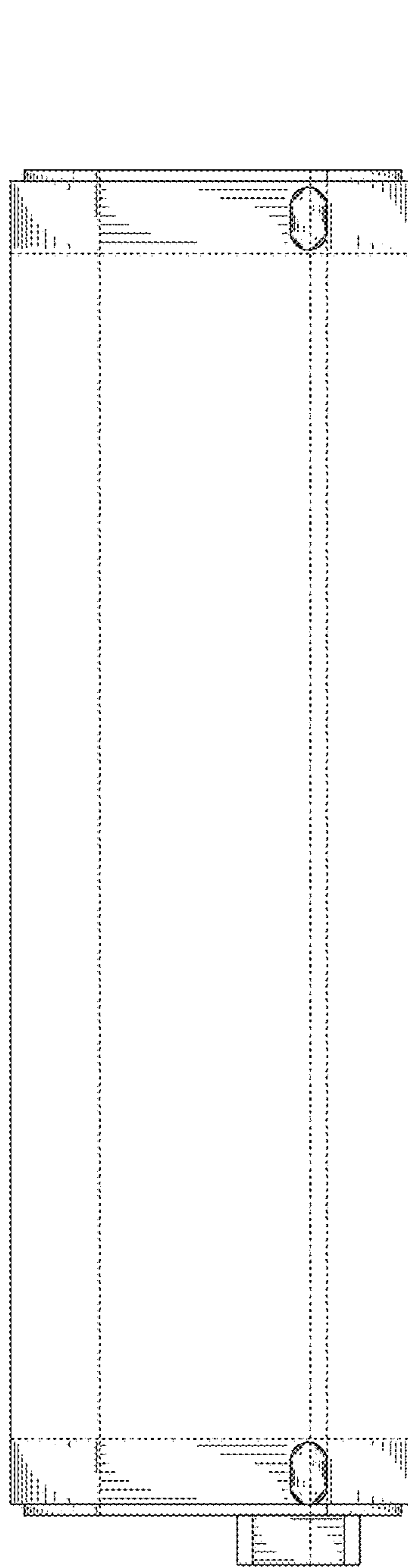


FIG. 17

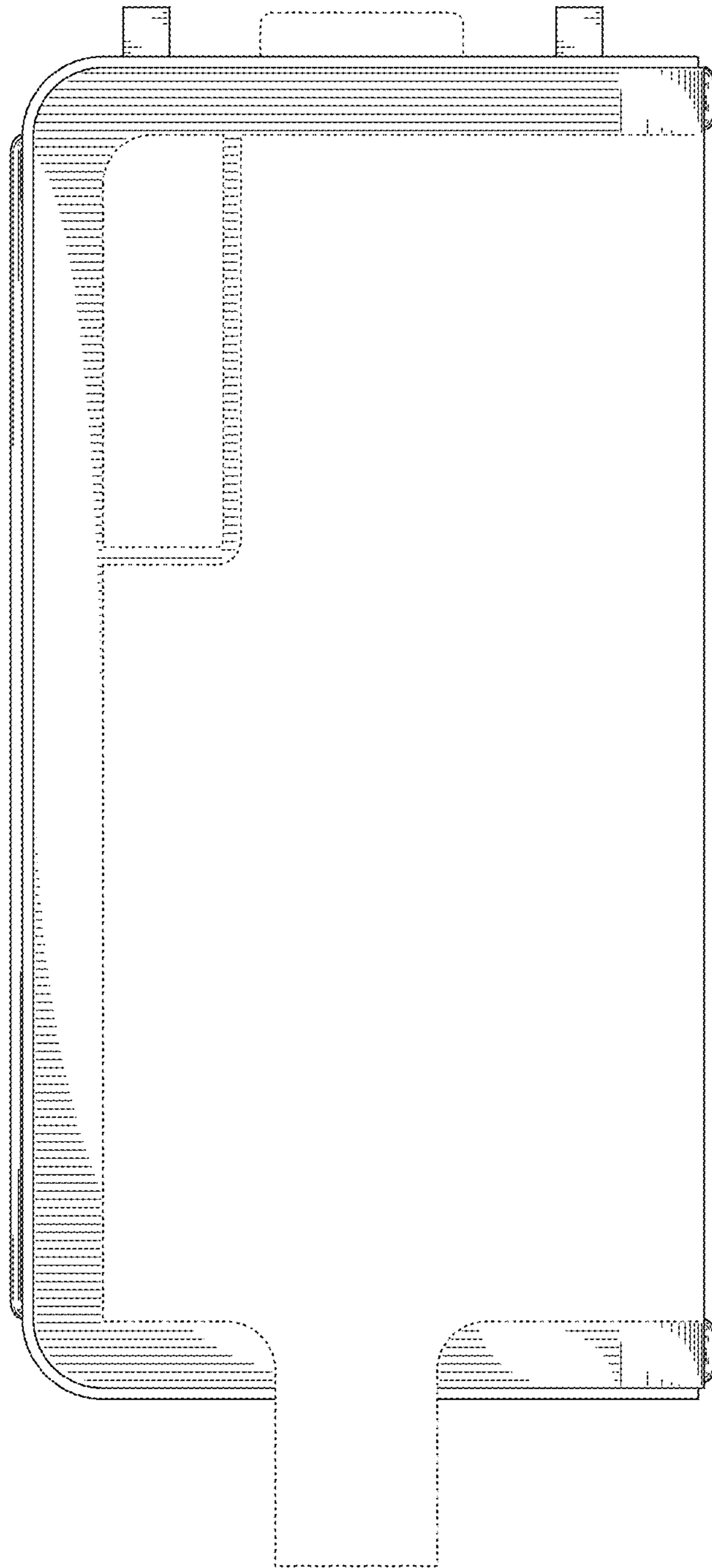


FIG. 18



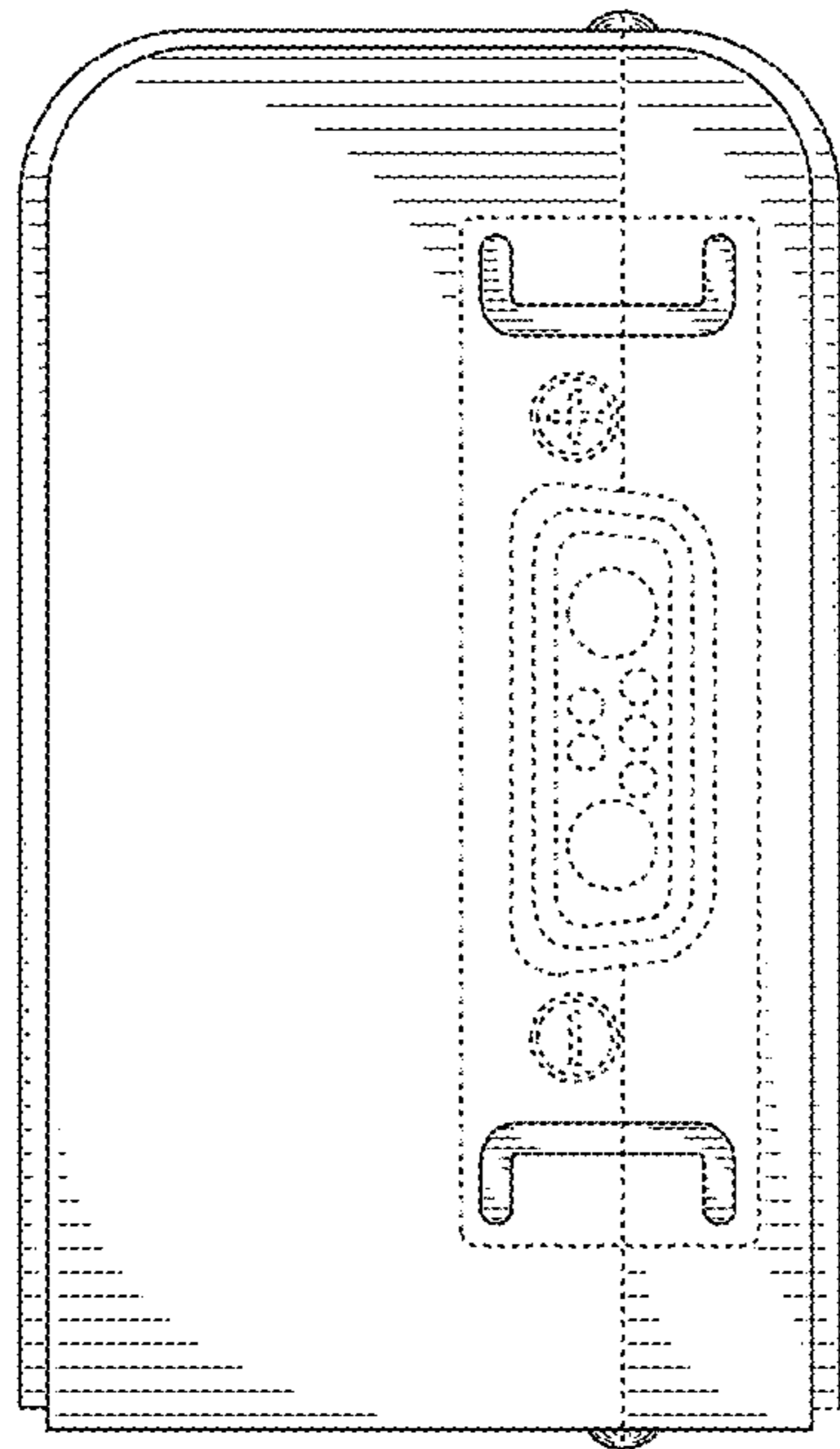


FIG. 19

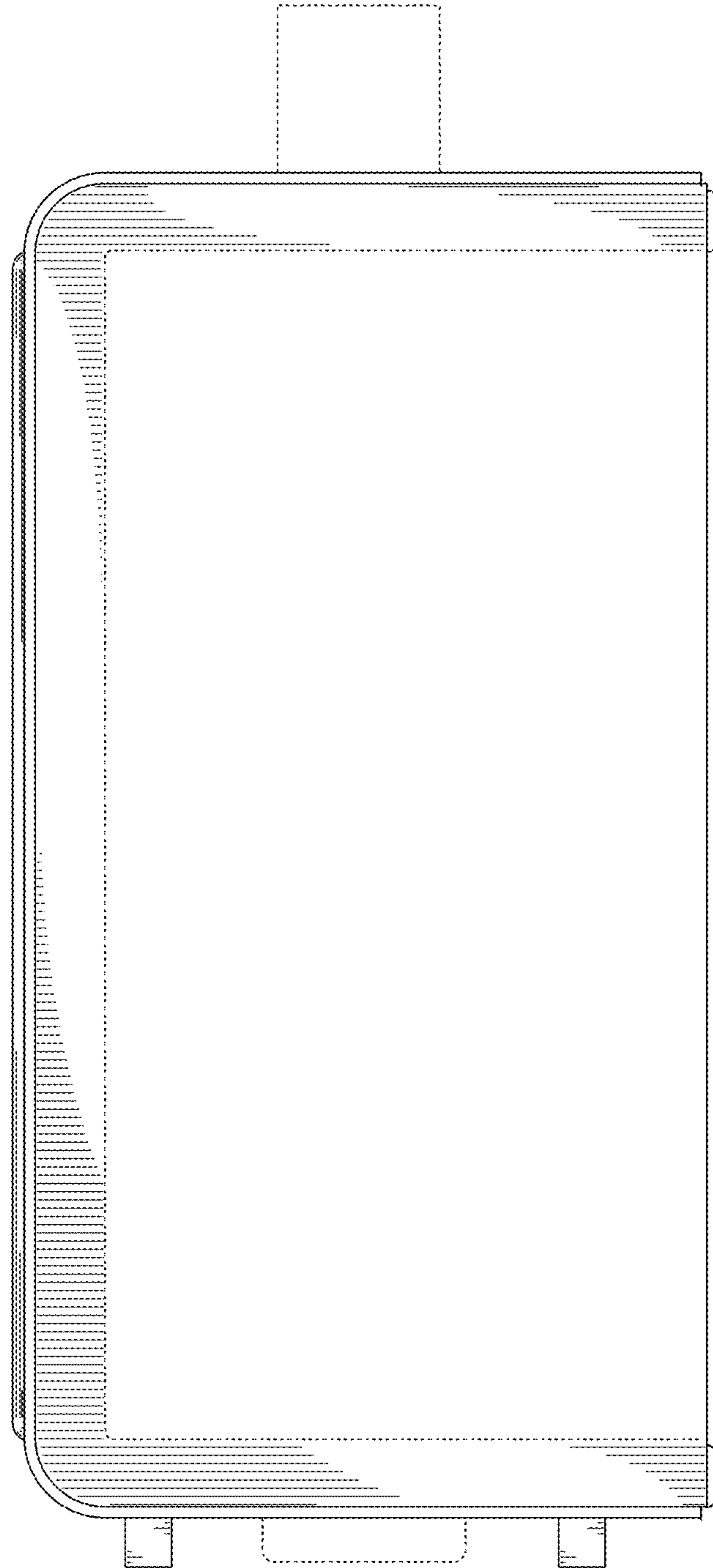


FIG. 20

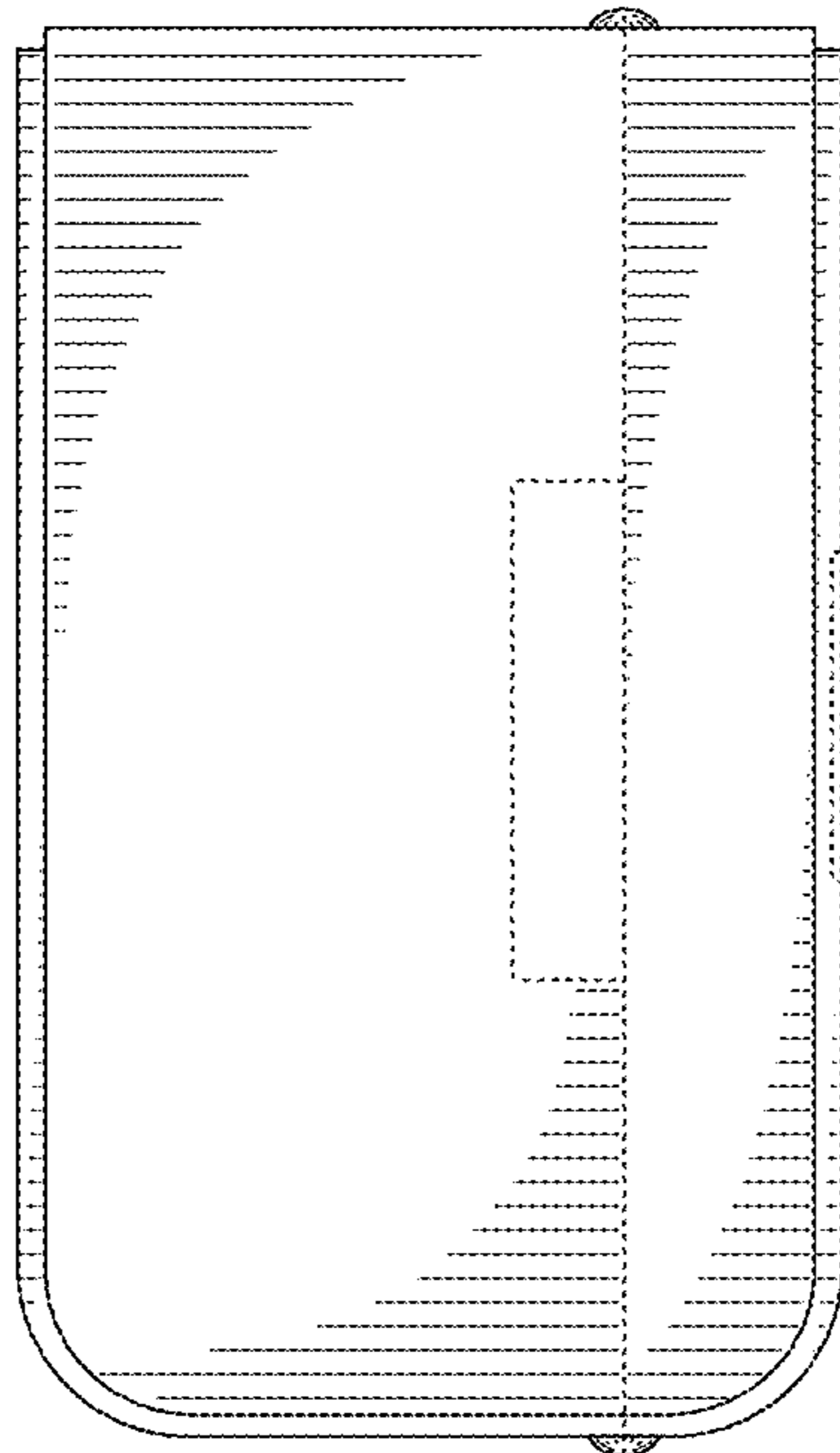


FIG. 21