



US00D820196S

(12) **United States Design Patent**
Rami

(10) **Patent No.:** **US D820,196 S**

(45) **Date of Patent:** **** Jun. 12, 2018**

(54) **STATION FOR PRODUCTION/STORAGE OF SOLAR ENERGY**

(71) Applicant: **UNITED SUN SYSTEMS SWEDEN AB**, Goeteborg (SE)

(72) Inventor: **Shaked Rami**, Goeteborg (SE)

(73) Assignee: **UNITED SUN SYSTEMS SWEDEN AB**, Göteborg (SE)

(**) Term: **15 Years**

(21) Appl. No.: **29/562,632**

(22) Filed: **Apr. 27, 2016**

(30) **Foreign Application Priority Data**

Nov. 3, 2015 (EM) 002846063

(51) **LOC (11) Cl.** **13-02**

(52) **U.S. Cl.**
USPC **D13/102**

(58) **Field of Classification Search**
USPC D13/102, 101, 103, 118, 119, 184, 199;
126/561, 667; 136/206, 244, 251, 291,
136/292; 438/597
CPC Y02E 10/47; Y02E 10/50; Y02E 10/52;
Y02E 10/42; H02S 20/00; F24J 2/5237;
H01L 31/00; H01L 31/02002; H01L
31/02008; H01L 31/042
See application file for complete search history.

(56) **References Cited**

U.S. PATENT DOCUMENTS

- 3,977,773 A * 8/1976 Hubbard F24J 2/1057
126/607
- 4,033,676 A * 7/1977 Brantley, Jr. F24J 2/125
126/580
- D258,141 S * 2/1981 Robbins, Jr. D13/102
- 4,340,031 A * 7/1982 Niedermeyer F24J 2/12
126/600

- 4,744,644 A * 5/1988 Kleinwachter F24J 2/125
343/840
- 4,788,555 A * 11/1988 Schultz F24J 2/12
126/690
- 4,875,467 A * 10/1989 Murphy F24J 2/125
126/600
- 4,945,731 A * 8/1990 Parker F03G 6/064
60/641.14
- 9,180,383 B2 * 11/2015 Ben Dor B01D 1/0035
- D772,157 S * 11/2016 Banerjee D13/102
- D783,521 S * 4/2017 Negley D13/102
- D789,882 S * 6/2017 Caviasca D13/102
- 2009/0078248 A1 * 3/2009 Brown F24J 2/12
126/600
- 2011/0247679 A1 * 10/2011 Shelef F24J 2/07
136/246
- 2015/0345832 A1 * 12/2015 Munoz Gilabert F24J 2/12
126/600
- 2016/0258595 A1 * 9/2016 Mossdorf F21V 7/18

* cited by examiner

Primary Examiner — Derrick Holland

Assistant Examiner — Jennifer O King

(74) *Attorney, Agent, or Firm* — Nixon & Vanderhye PC

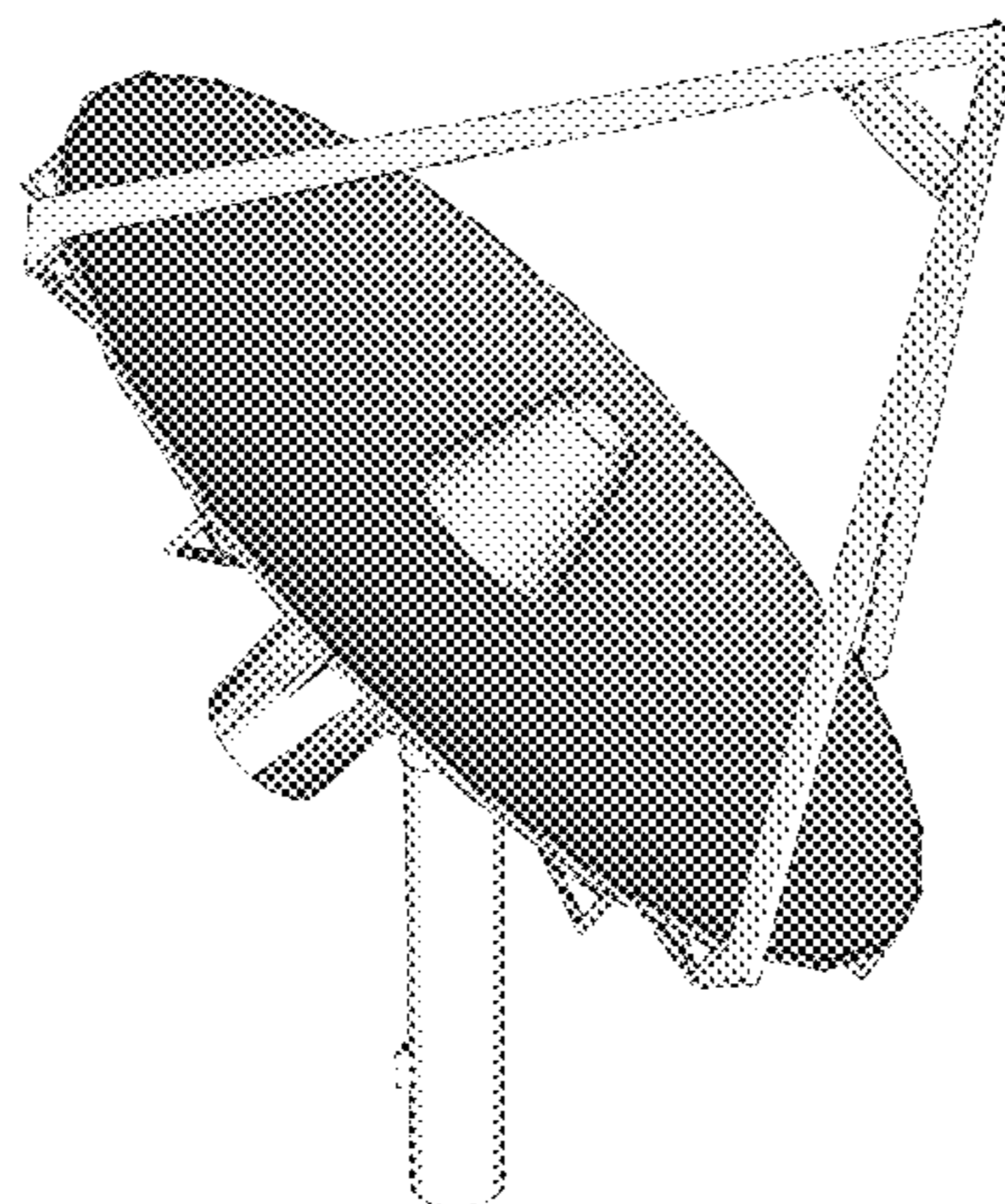
(57) **CLAIM**

The ornamental design for a station for production/storage of solar energy, as shown.

DESCRIPTION

FIG. 1 is a perspective view of a station for production/storage of solar energy showing my new design; FIG. 2 is a rear perspective view thereof; FIG. 3 is a front view thereof; FIG. 4 is a rear view thereof; FIG. 5 is a top view thereof; FIG. 6 is a right side view thereof; FIG. 7 is a left side view thereof; FIG. 8 is a bottom perspective view thereof; and, FIG. 9 is a top perspective view thereof.

1 Claim, 9 Drawing Sheets



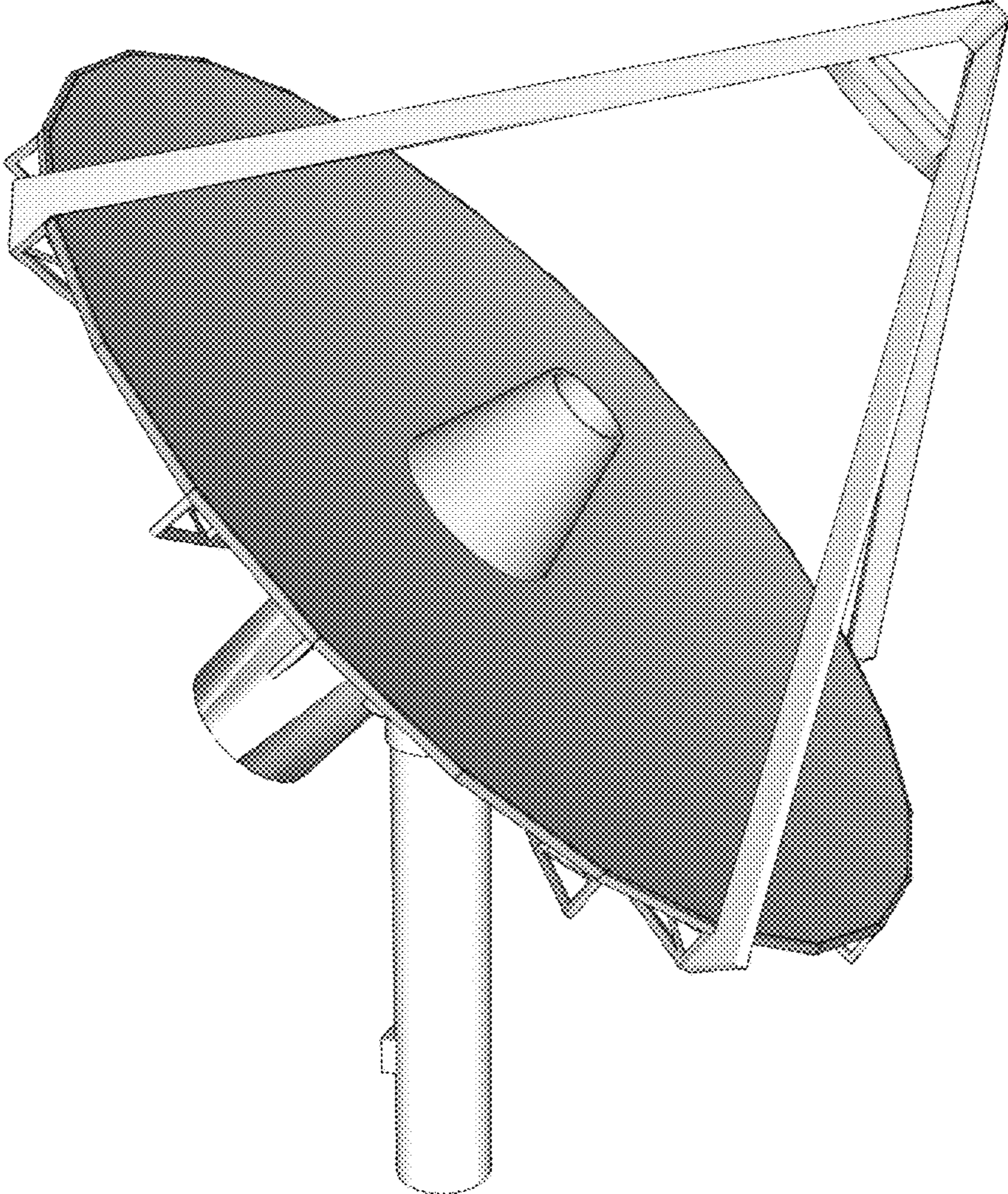


FIG. 1

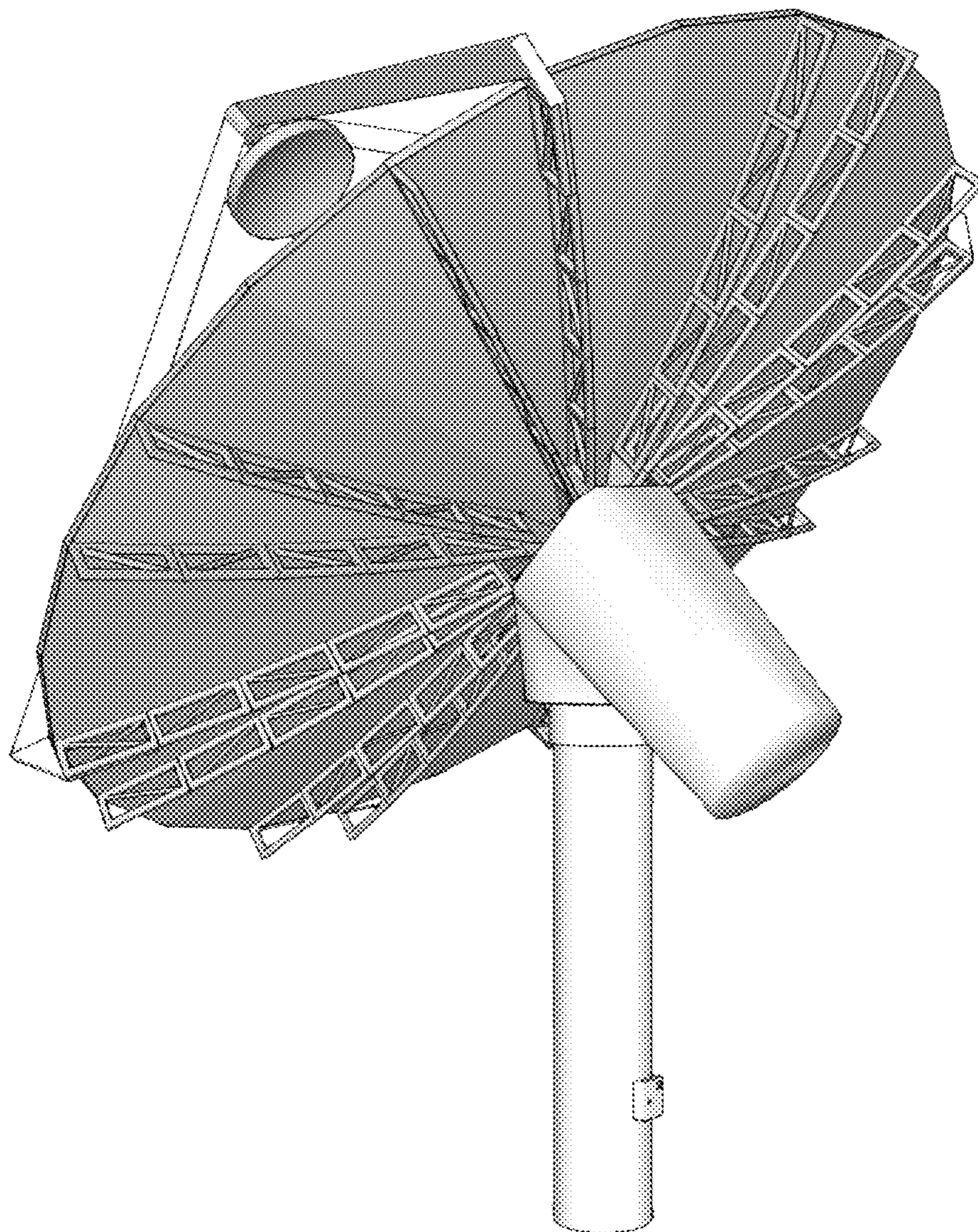


FIG. 2

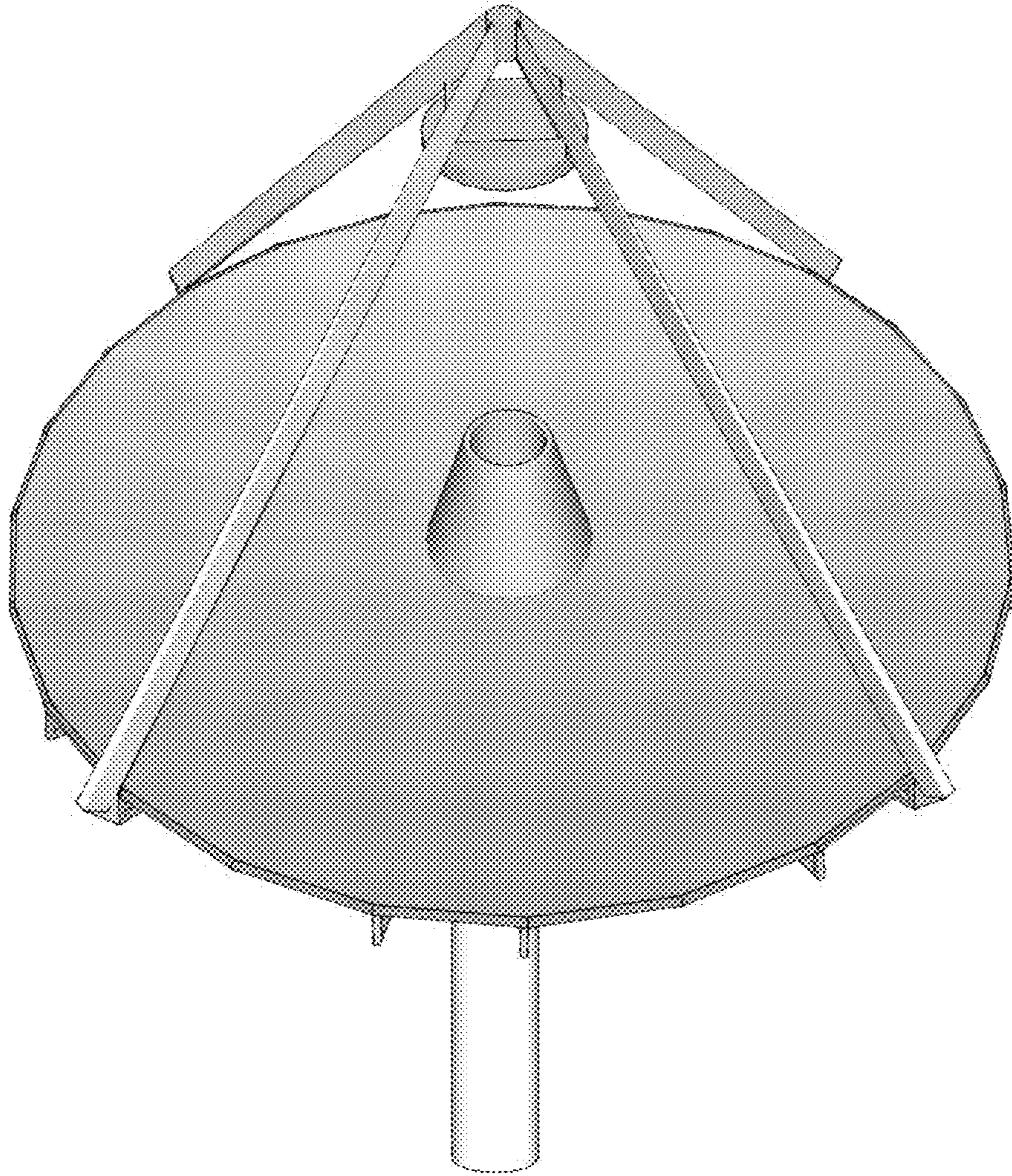


FIG. 3

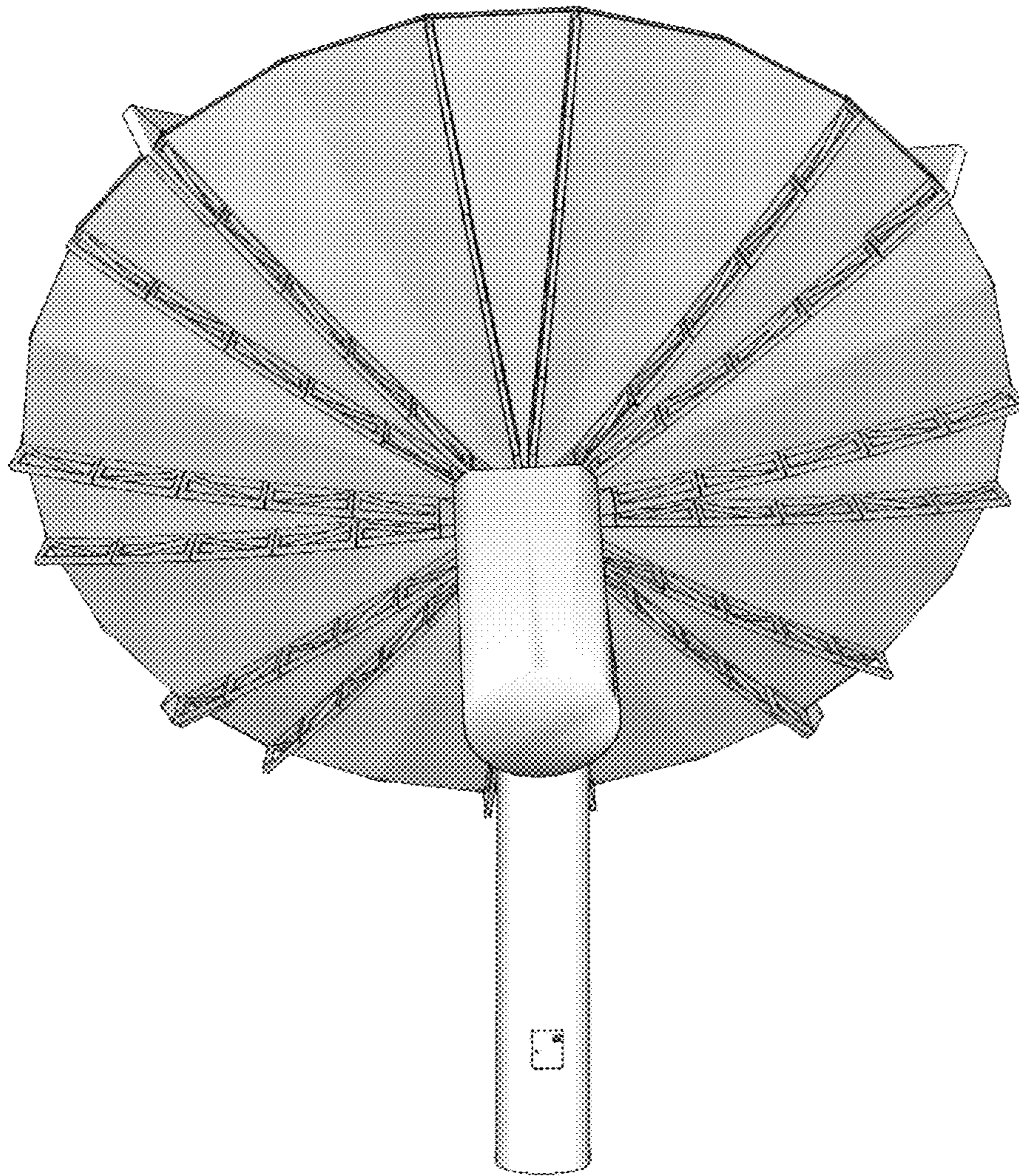


FIG. 4

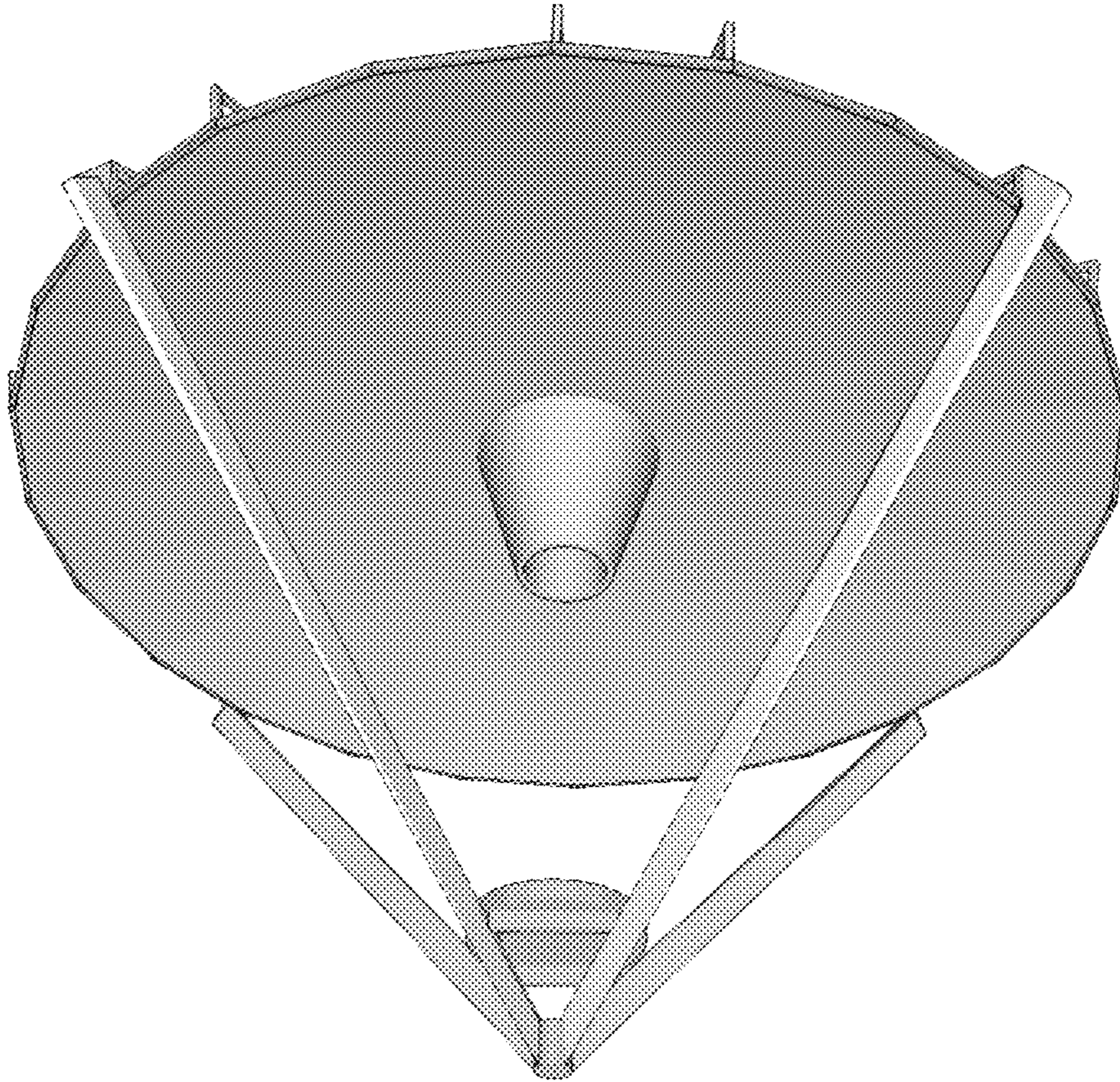


FIG. 5

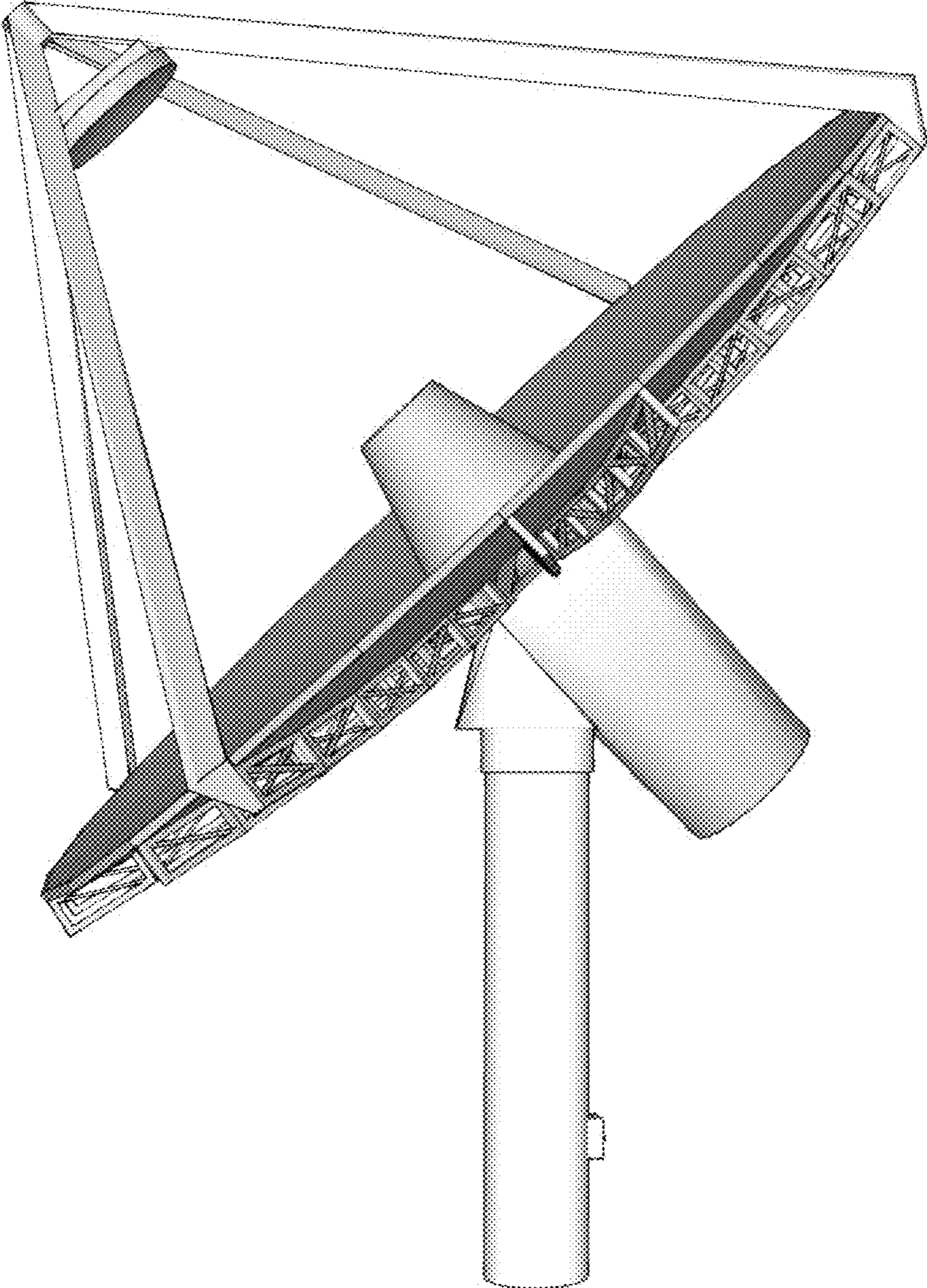


FIG. 6

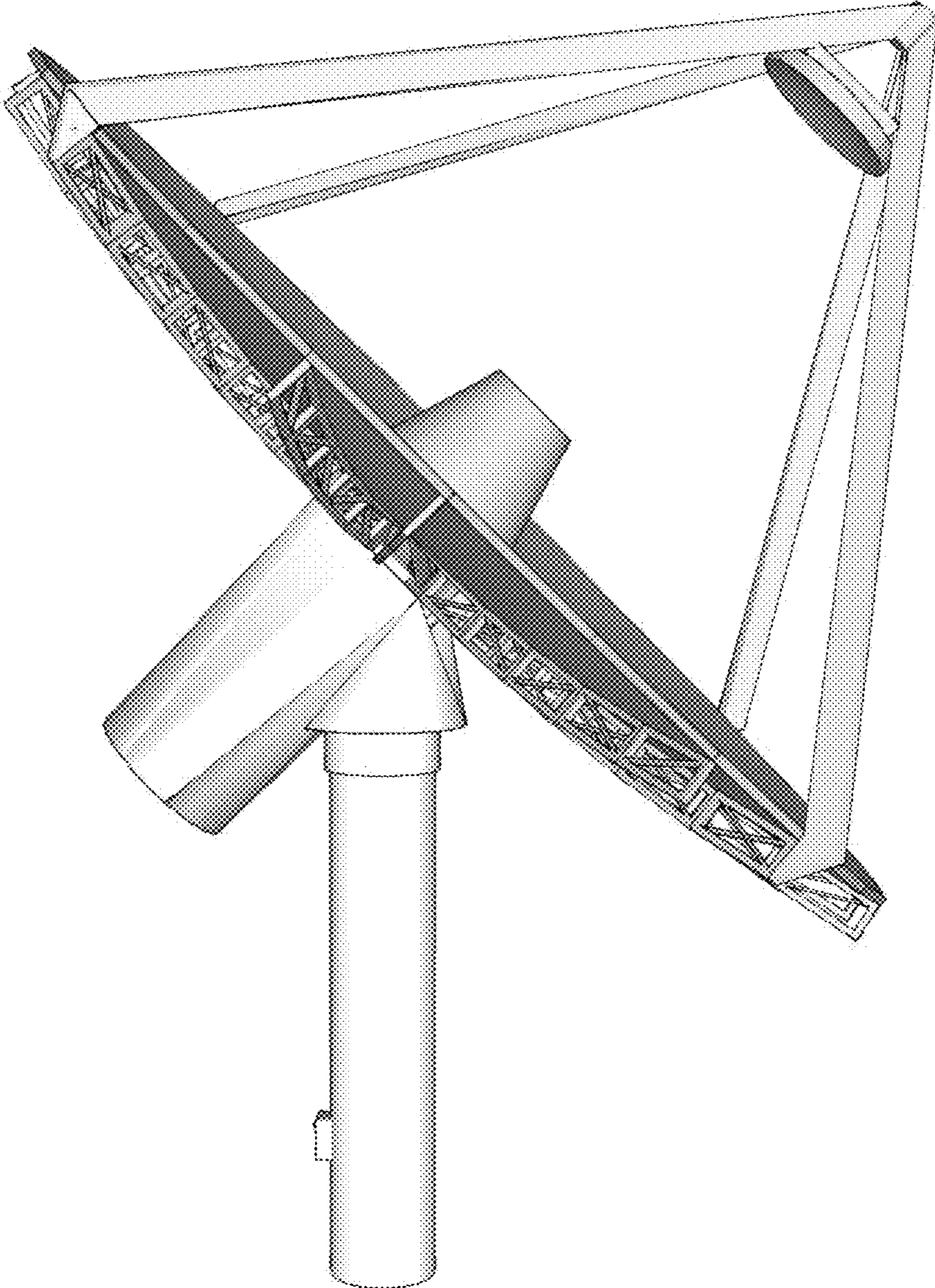


FIG. 7

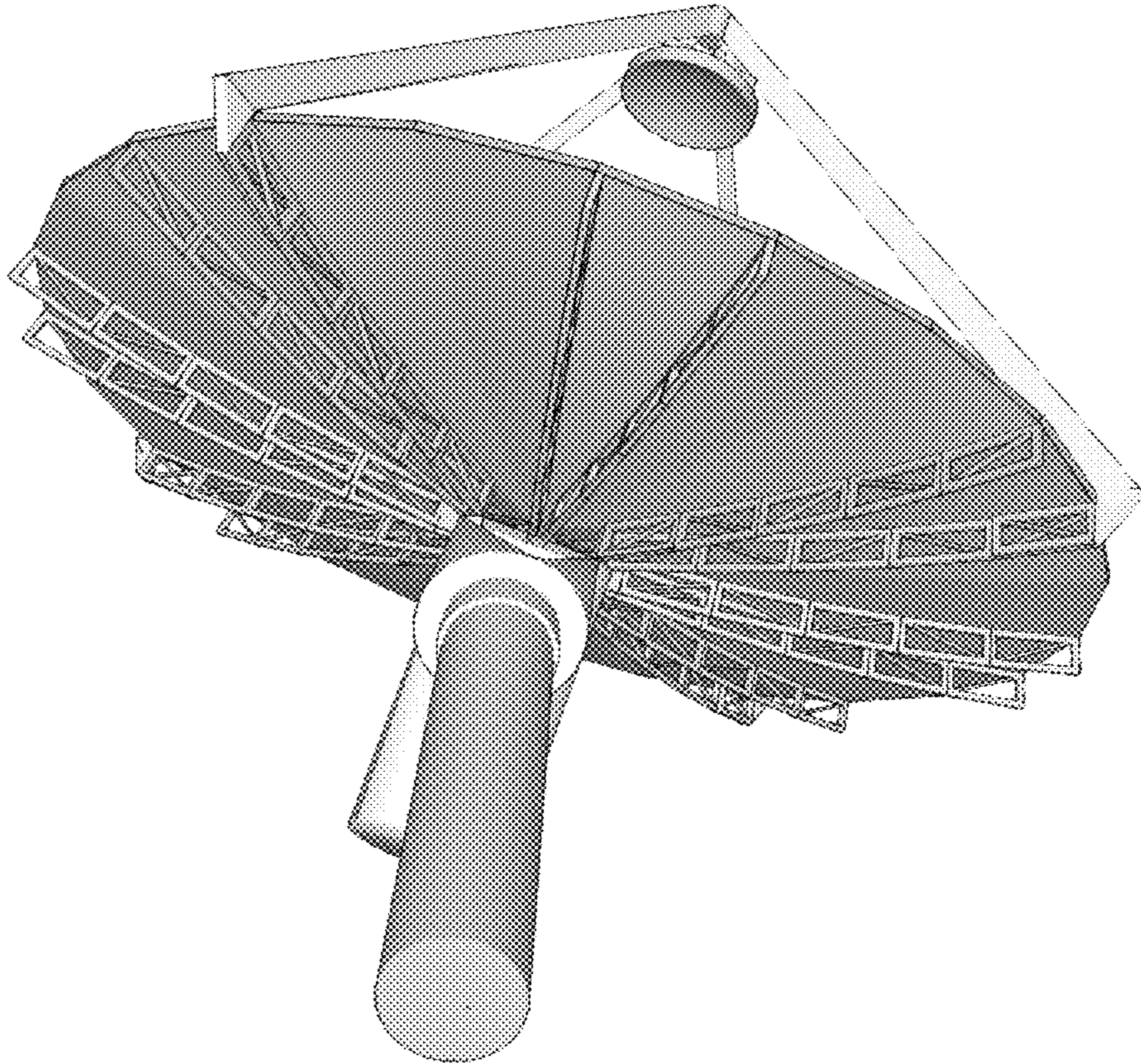


FIG. 8

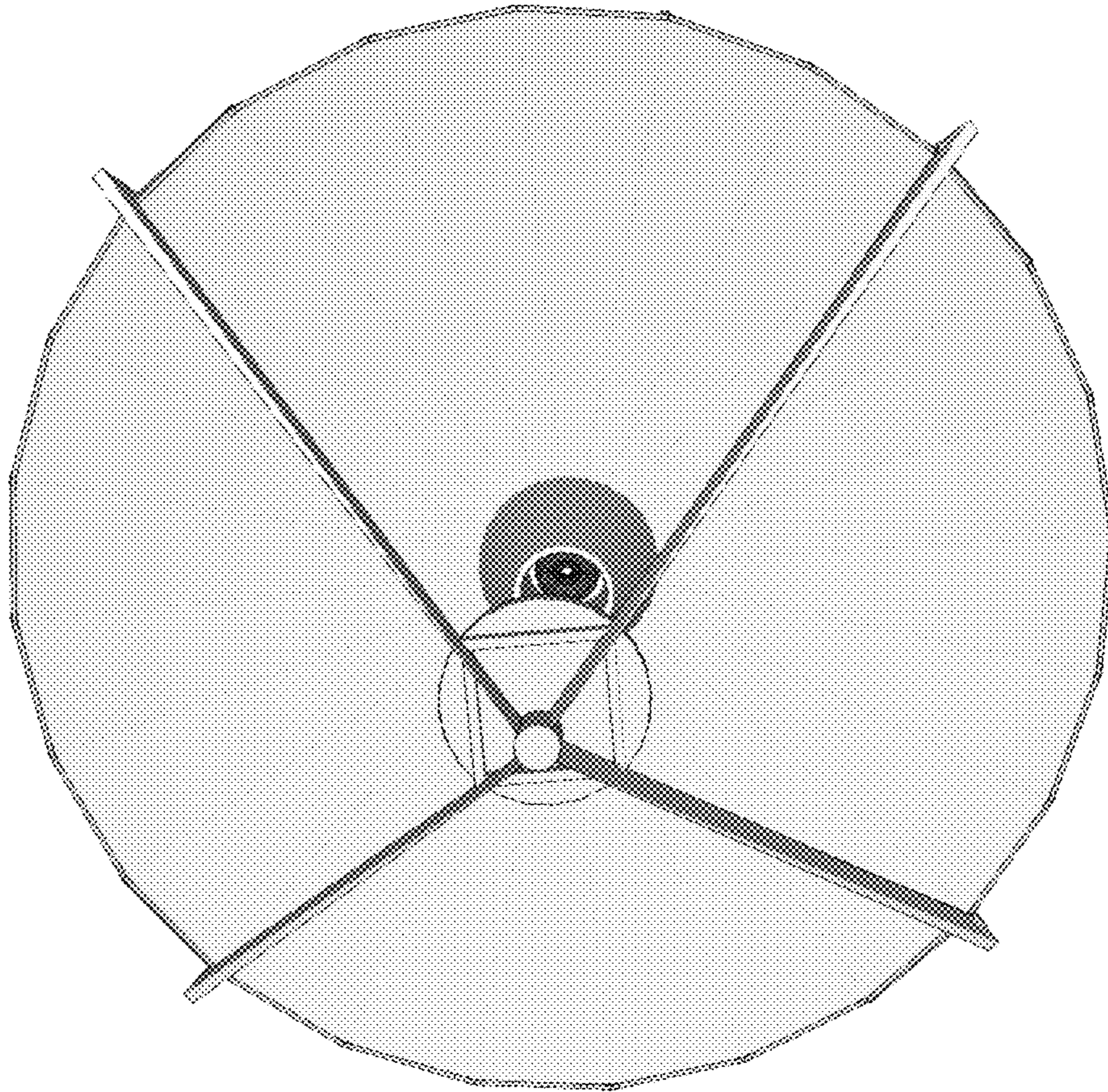


FIG. 9