



US00D820192S

(12) **United States Design Patent** (10) **Patent No.:** **US D820,192 S**
Currid (45) **Date of Patent:** **** Jun. 12, 2018**

- (54) **ROOFTOP TENT**
- (71) Applicant: **Tepui Outdoors, Inc.**, Soquel, CA (US)
- (72) Inventor: **Evan Michael Currid**, Santa Cruz, CA (US)
- (73) Assignee: **Tepui Outdoors, Inc.**, Soquel, CA (US)
- (**) Term: **15 Years**
- (21) Appl. No.: **29/586,423**
- (22) Filed: **Dec. 2, 2016**
- (51) **LOC (11) Cl.** **12-16**
- (52) **U.S. Cl.**
USPC **D12/403**
- (58) **Field of Classification Search**
USPC D12/401-405
CPC A47C 17/80; B60P 3/341
See application file for complete search history.

(56) **References Cited**

U.S. PATENT DOCUMENTS

2,811,725	A	11/1957	Cence	
2,937,651	A	5/1960	Van Tassel	
3,924,365	A	12/1975	Orberg	
D244,182	S *	5/1977	Skidmore	D12/404
D246,365	S *	11/1977	Floyd	D12/405
D250,013	S *	10/1978	Siciliano	D12/404
D255,027	S *	5/1980	Hemminger	D12/104
4,366,979	A	1/1983	Pillot	
D273,001	S *	3/1984	Fink	D12/404
4,522,441	A	6/1985	Allison	

(Continued)

FOREIGN PATENT DOCUMENTS

DE	1780662	10/1973
FR	2158927	6/1973
WO	2005005754	1/2005

Primary Examiner — Darlington Ly
(74) *Attorney, Agent, or Firm* — Patent Law Works LLP

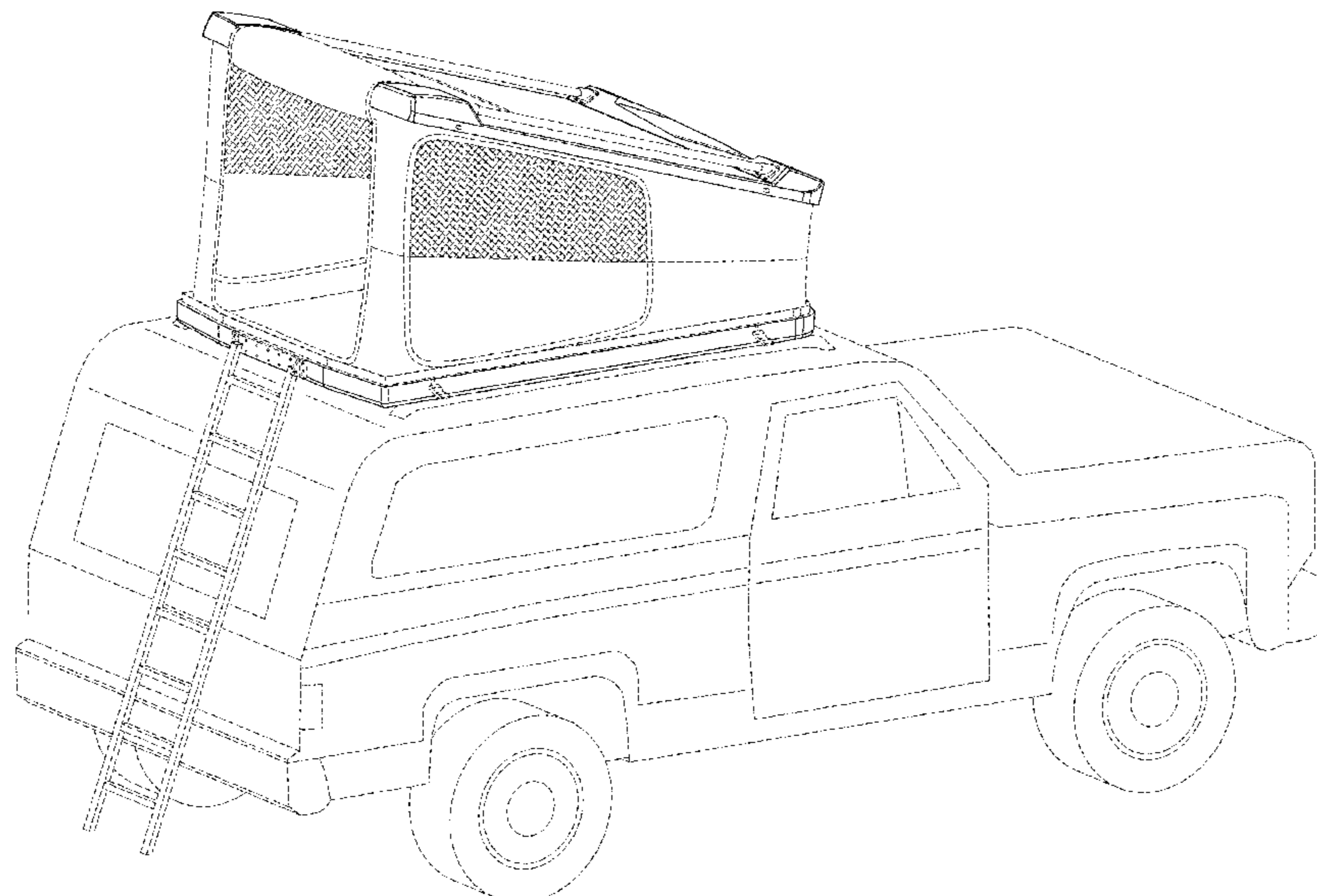
(57) **CLAIM**

The ornamental design for a rooftop tent, as shown and described.

DESCRIPTION

FIG. 1 is a top, front, and left side perspective view of a rooftop tent showing my new design in a fully collapsed configuration;
 FIG. 2 is a bottom, rear, and right side perspective view thereof;
 FIG. 3 is a top plan view thereof;
 FIG. 4 is a bottom plan view thereof;
 FIG. 5 is a right side elevation view thereof;
 FIG. 6 is a front elevation view thereof; and
 FIG. 7 is a rear elevation view thereof.
 FIG. 8 is a top, front, and left side perspective view of the rooftop tent showing my new design in an erected configuration;
 FIG. 9 is a bottom, rear, and right side perspective view thereof;
 FIG. 10 is a top plan view thereof;
 FIG. 11 is a bottom plan view thereof;
 FIG. 12 is a right side elevation view thereof;
 FIG. 13 is a front elevation view thereof;
 FIG. 14 is a rear elevation view thereof; and
 FIG. 15 is a rear and left side perspective view thereof.
 FIG. 16 is a top, front, and left side perspective view of the rooftop tent showing my new design in an opened configuration;
 FIG. 17 is a bottom, rear, and right side perspective view thereof; and,
 FIG. 18 is a top, rear, and right side perspective view of the rooftop tent installed in an exemplary truck vehicle.
 The broken lines in the drawings illustrate portions of the rooftop tent and of an exemplary truck that form no part of the claimed design.

1 Claim, 17 Drawing Sheets



(56)

References Cited

U.S. PATENT DOCUMENTS

4,548,438 A 10/1985 Myers
 D299,223 S * 1/1989 Galvin D12/404
 D310,806 S * 9/1990 Hertzberg D12/403
 D318,446 S * 7/1991 Magyar D12/403
 D318,971 S * 8/1991 Mitchell D6/611
 D327,463 S * 6/1992 Williams D12/403
 D330,182 S * 10/1992 Jones D12/404
 D332,934 S * 2/1993 Brown D12/181
 D333,646 S * 3/1993 Levy D12/403
 5,203,603 A * 4/1993 Hertzberg B60J 7/041
 296/100.03
 5,226,261 A 7/1993 Wilbourn et al.
 D340,689 S * 10/1993 Wolcott D12/404
 D342,707 S * 12/1993 Fields D12/403
 D352,328 S * 11/1994 Boyd D21/835
 D352,690 S * 11/1994 Schorr D12/403
 5,544,671 A 8/1996 Phillips
 D382,248 S * 8/1997 Long D12/403
 D413,096 S * 8/1999 Russke D12/404
 D421,956 S * 3/2000 Aubut D12/401
 D428,382 S * 7/2000 Hall D12/401
 D428,595 S * 7/2000 Salinas D12/404
 D431,225 S * 9/2000 Perlman D12/404

D444,445 S * 7/2001 Schroeder D12/404
 D445,397 S * 7/2001 Gaytan D12/404
 6,260,306 B1 7/2001 Swetish et al.
 6,263,617 B1 7/2001 Turcot et al.
 D454,328 S * 3/2002 Cornelius D12/404
 D461,759 S * 8/2002 Napieraj D12/404
 6,722,084 B2 8/2004 Berman
 D503,143 S * 3/2005 Napieraj D12/403
 D516,497 S * 3/2006 Napieraj D12/403
 D521,414 S * 5/2006 Waters D12/106
 D544,402 S * 6/2007 Westman D12/12
 D574,315 S * 8/2008 Swails D12/401
 D610,067 S * 2/2010 Frankham D12/404
 D619,077 S * 7/2010 Frankham D12/404
 D619,078 S * 7/2010 Frankham D12/404
 D620,995 S * 8/2010 Hamad D21/835
 D628,126 S * 11/2010 Tai D12/106
 D662,444 S * 6/2012 Smoak D12/102
 8,245,464 B2 8/2012 Saiz et al.
 9,222,278 B2 12/2015 Park
 D765,013 S * 8/2016 Hindelang D12/401
 2003/0213512 A1 11/2003 Lee
 2008/0190472 A1 8/2008 Turcot
 2008/0313970 A1 12/2008 Turcot
 2016/0138293 A1 5/2016 Zhou

* cited by examiner

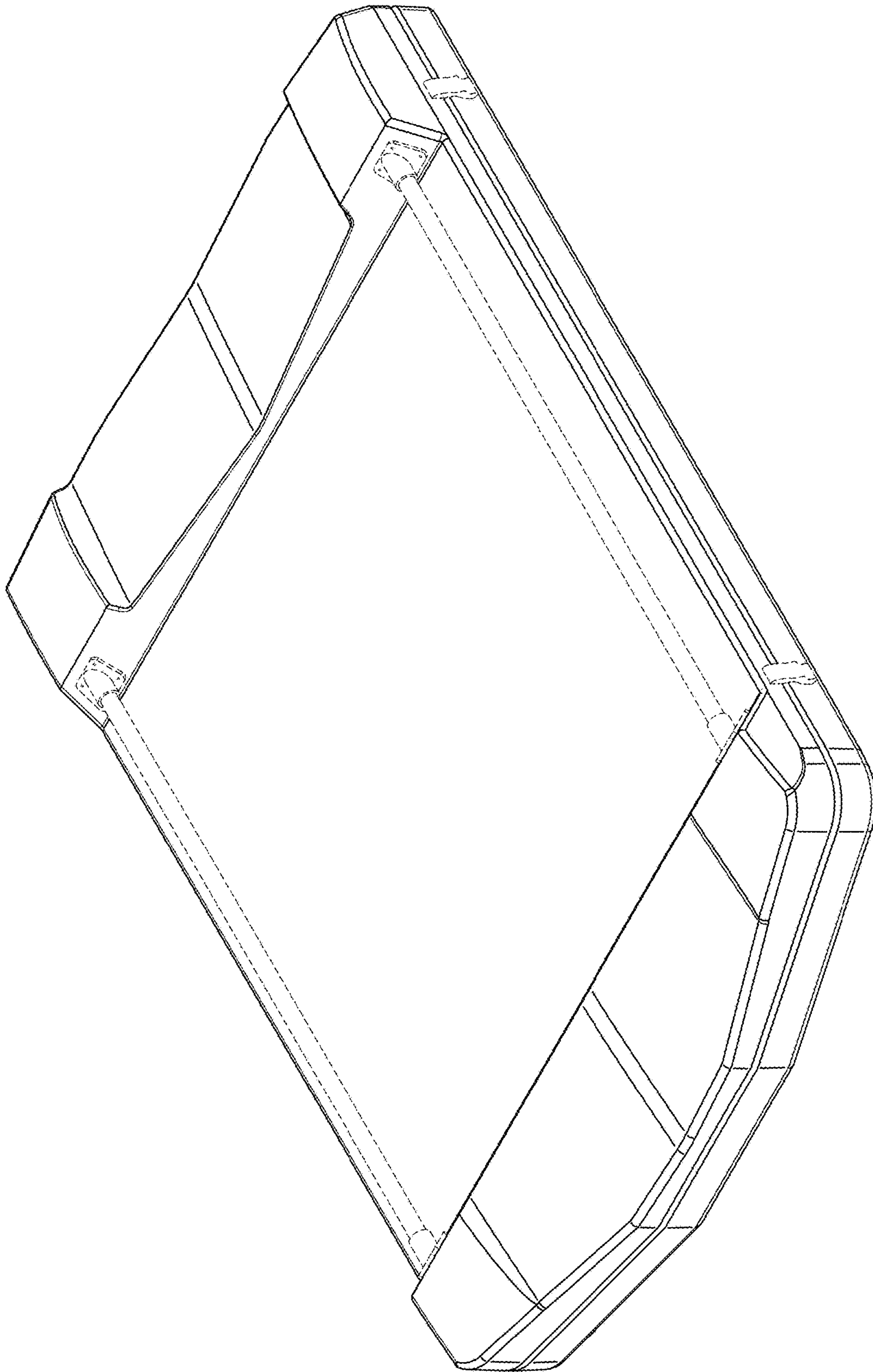


FIG. 1

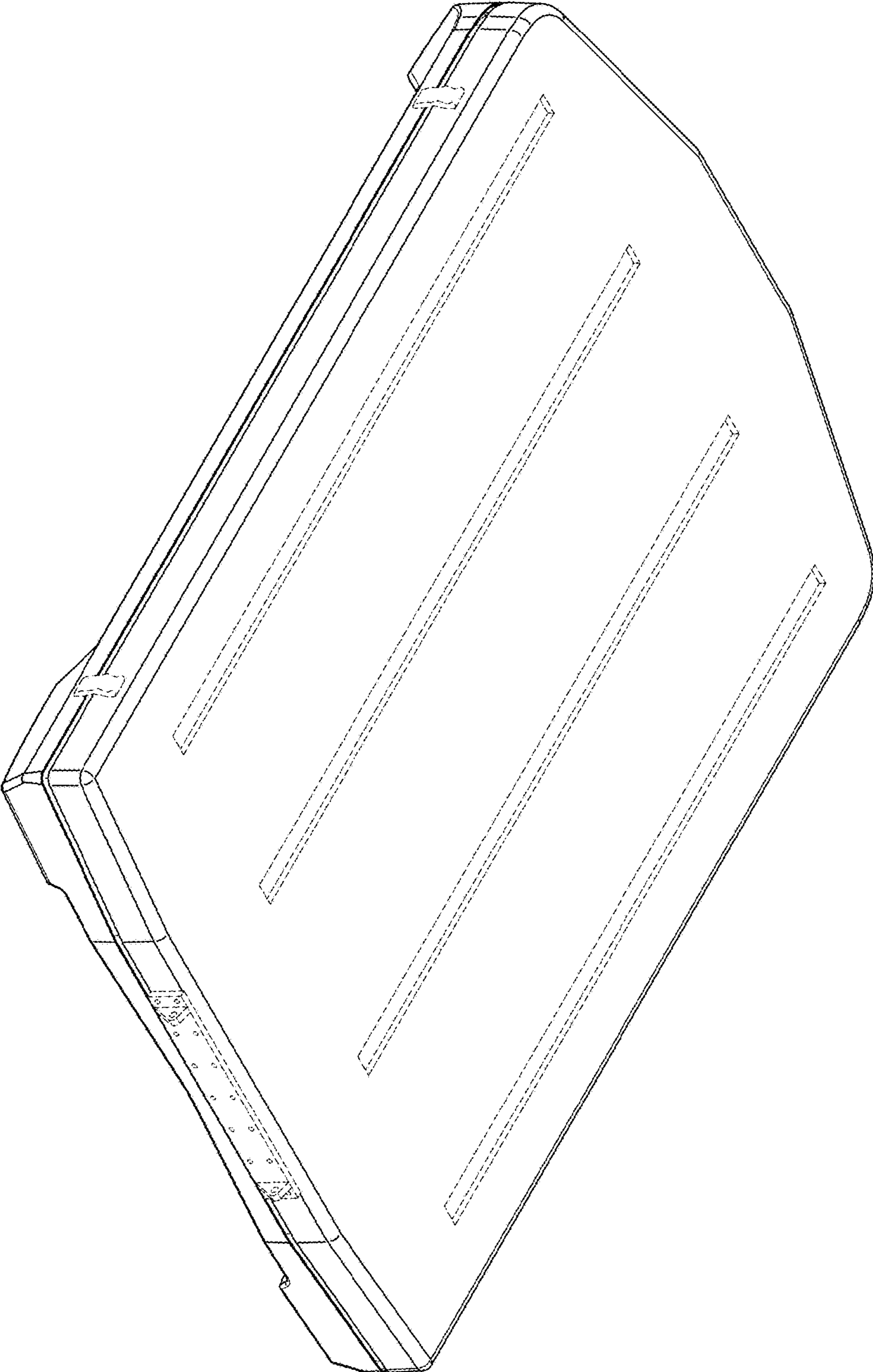


FIG. 2

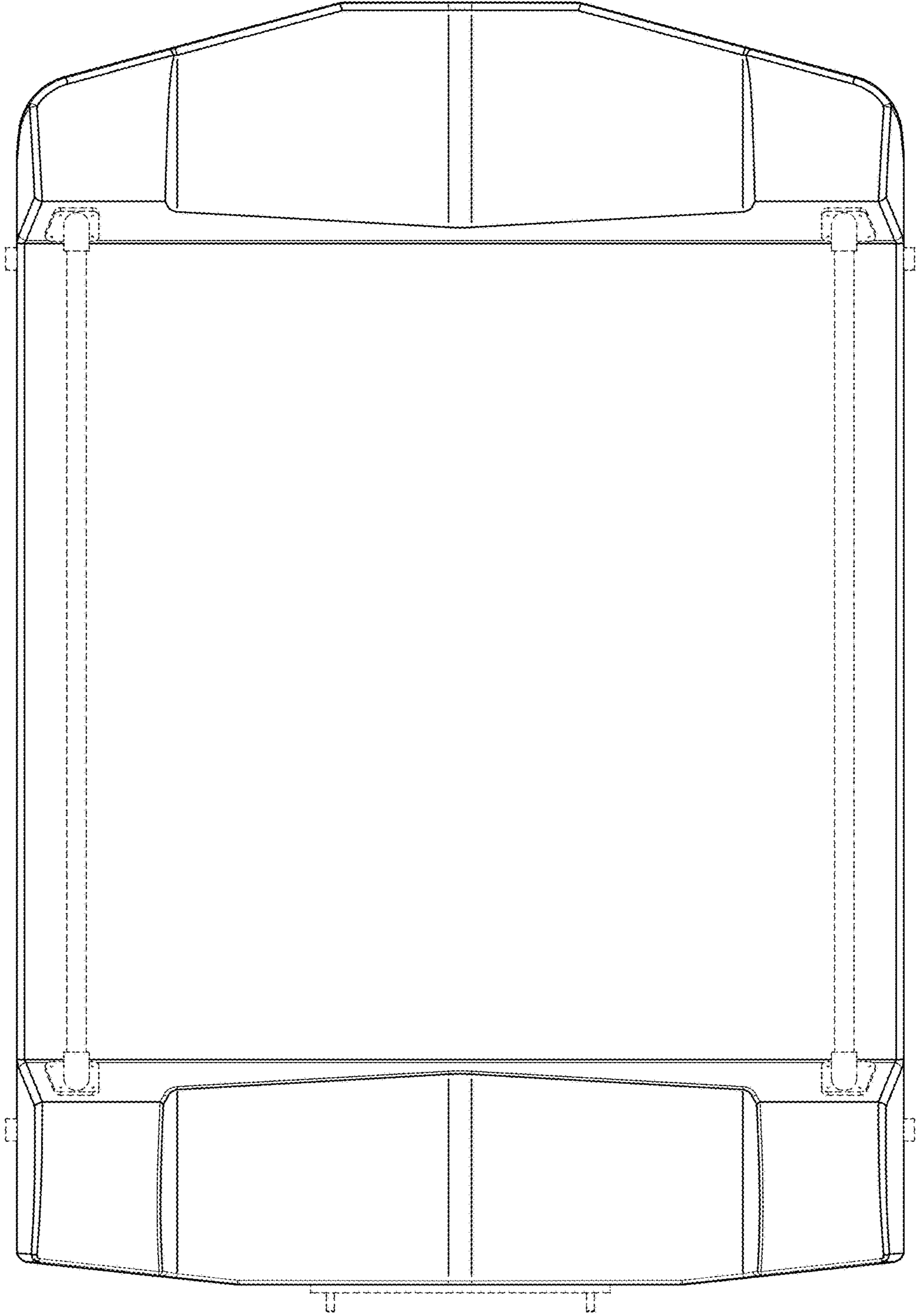


FIG. 3

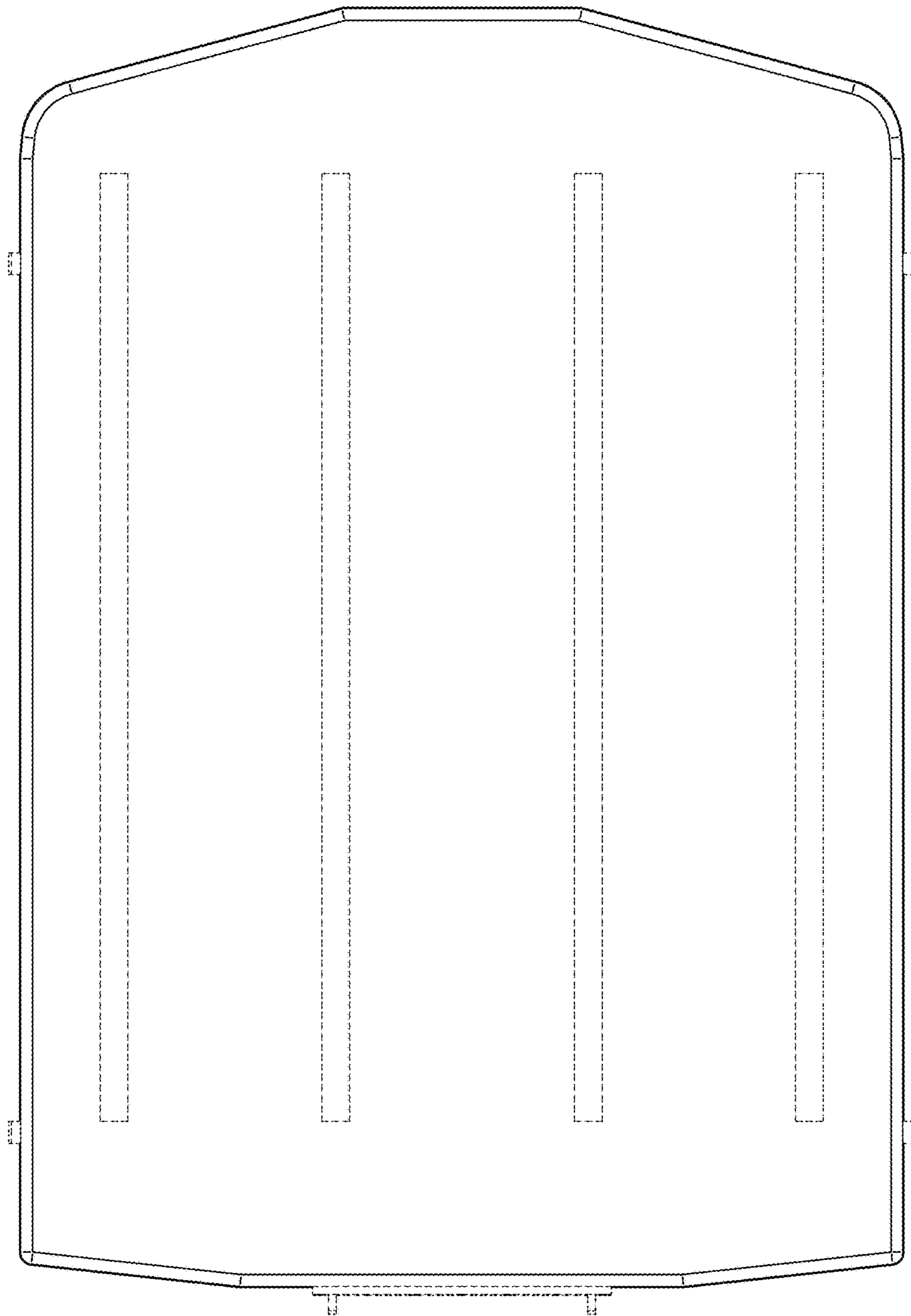


FIG. 4

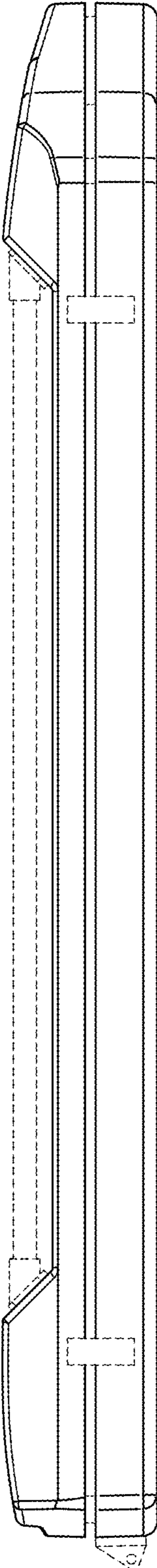


FIG. 5

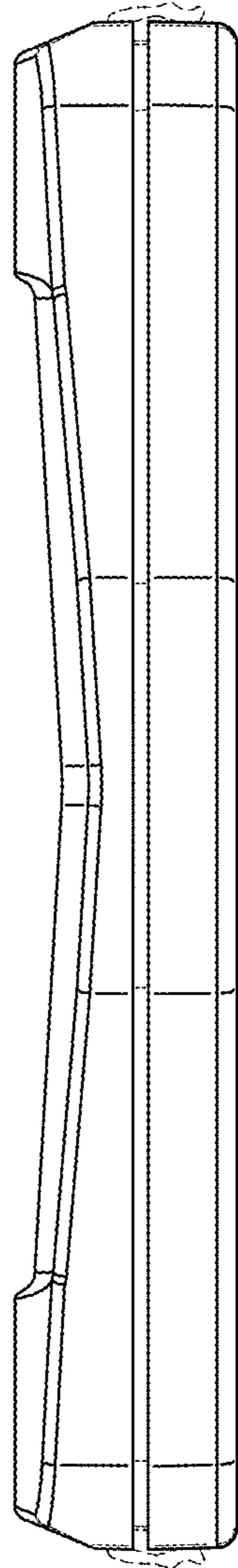


FIG. 6

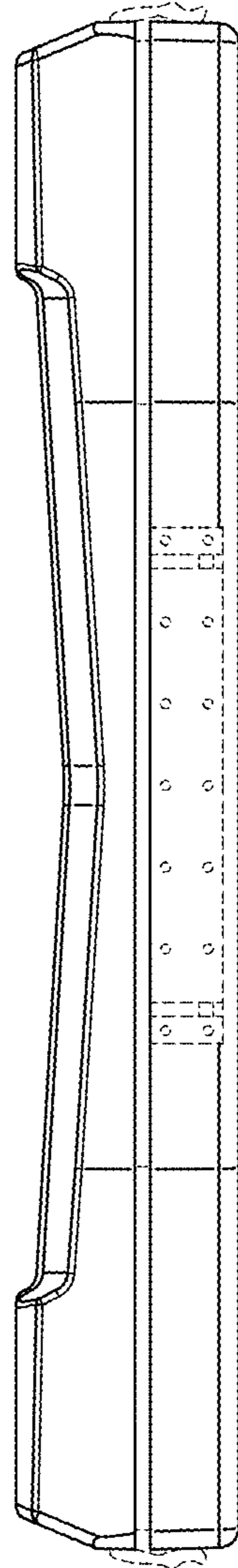


FIG. 7

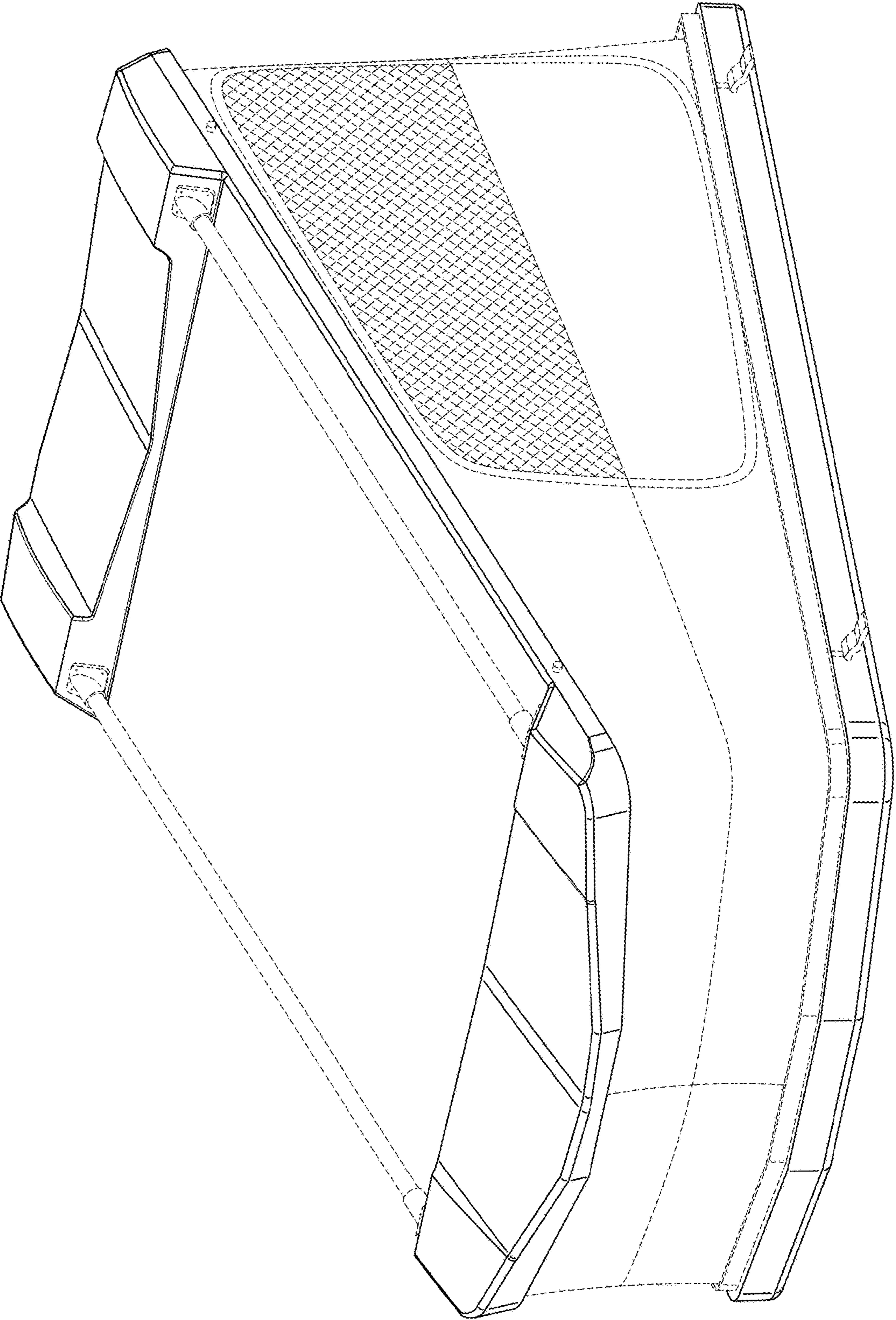


FIG. 8

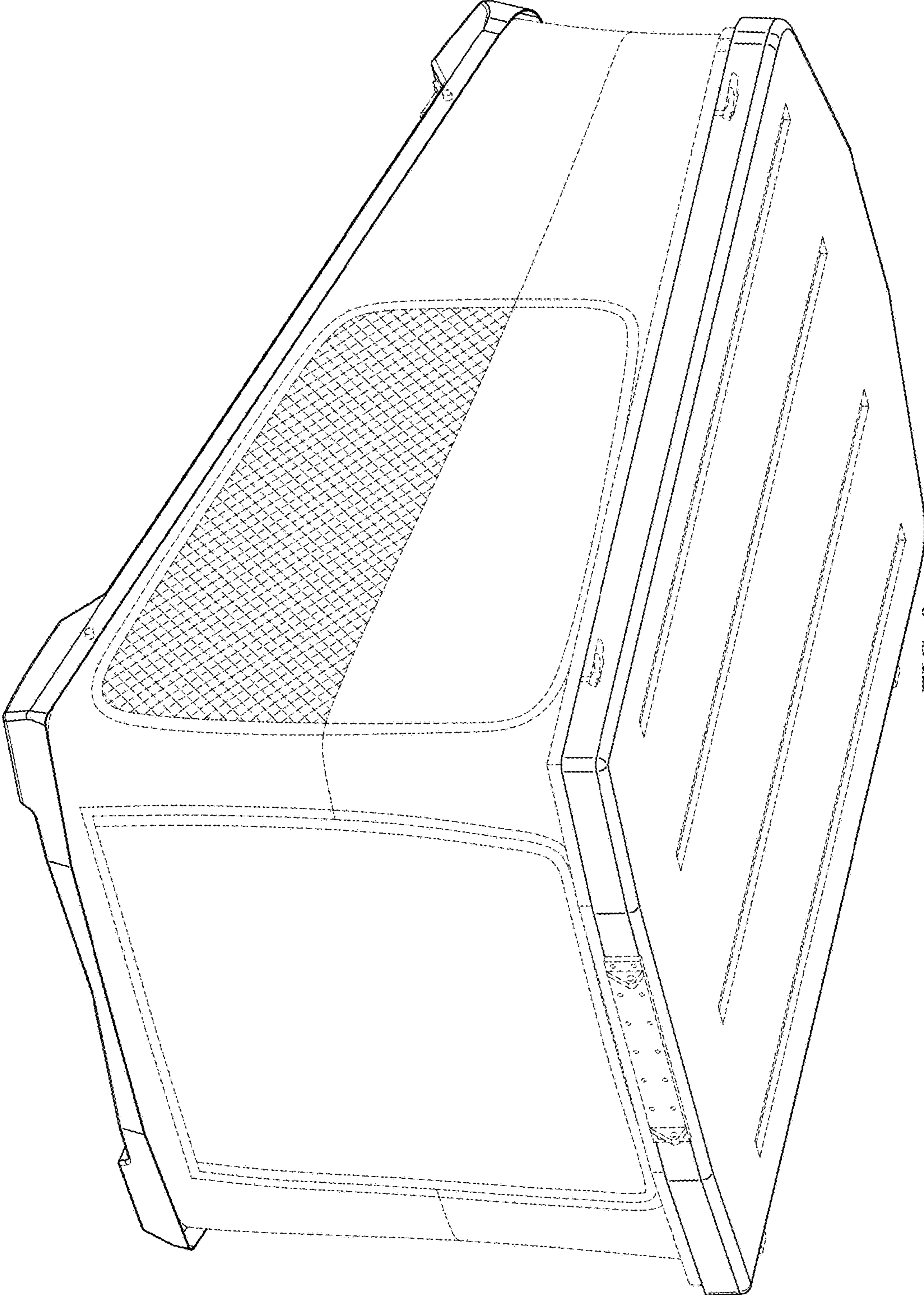


FIG. 9

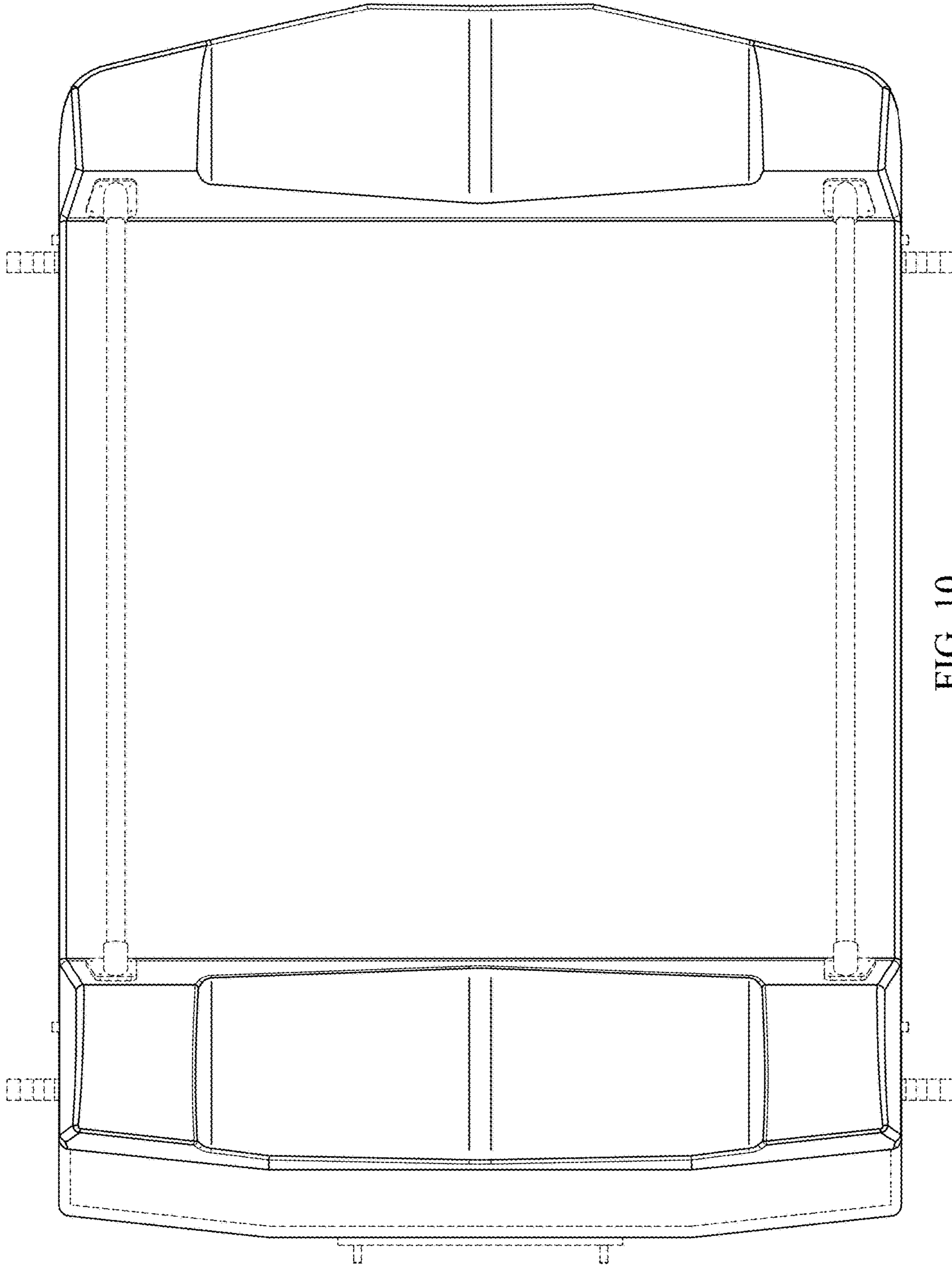


FIG. 10

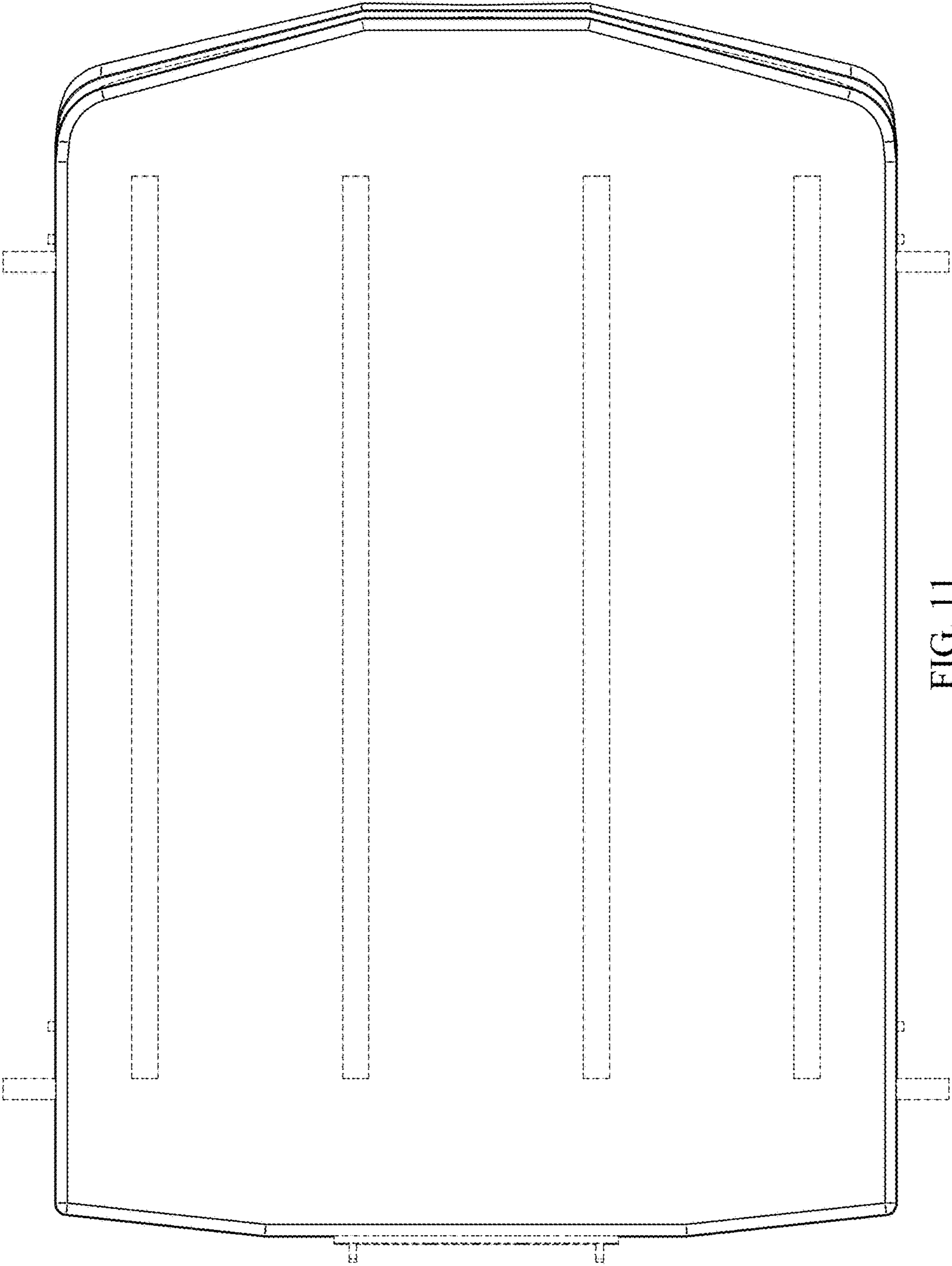


FIG. 11

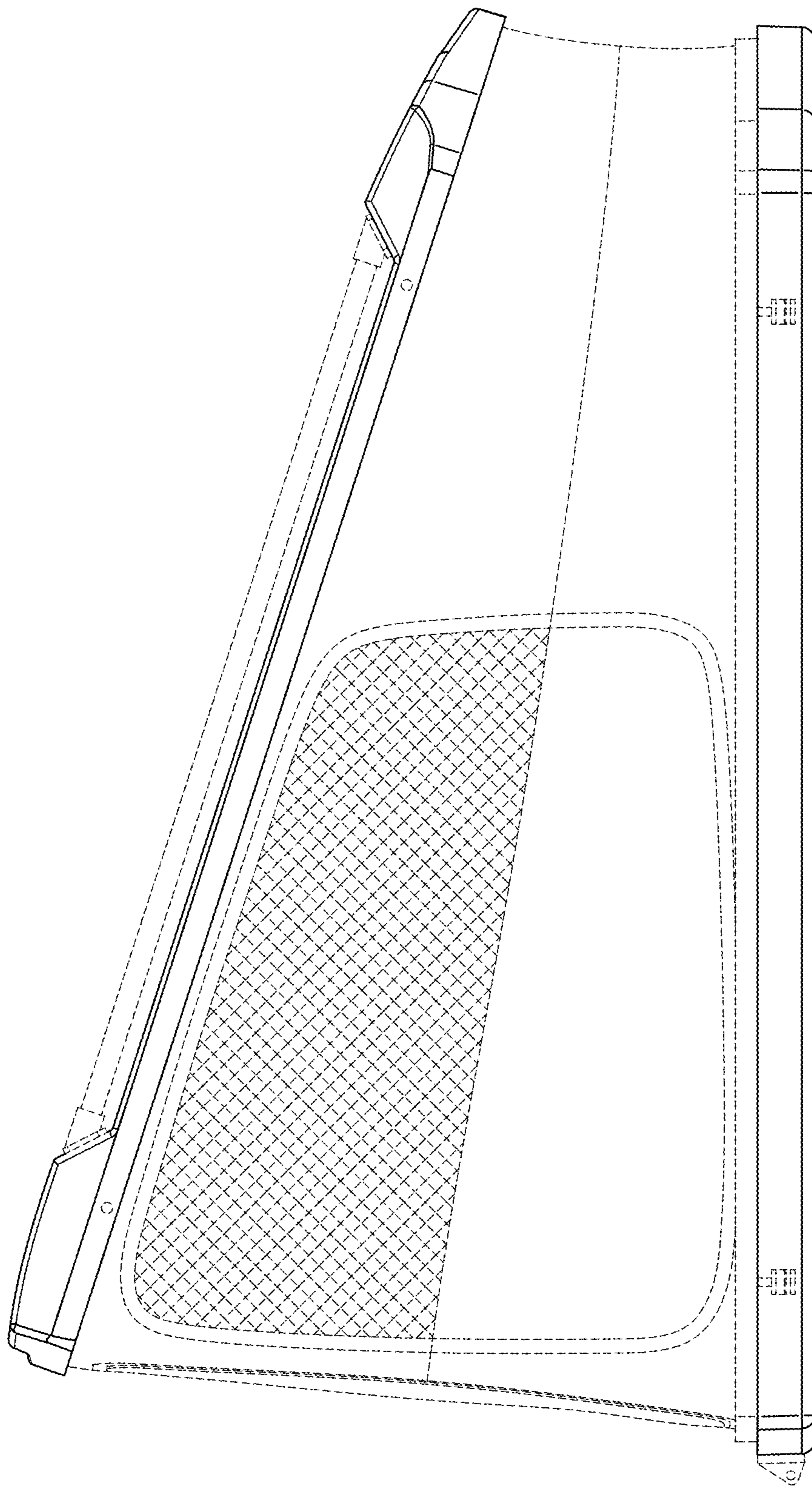


FIG. 12

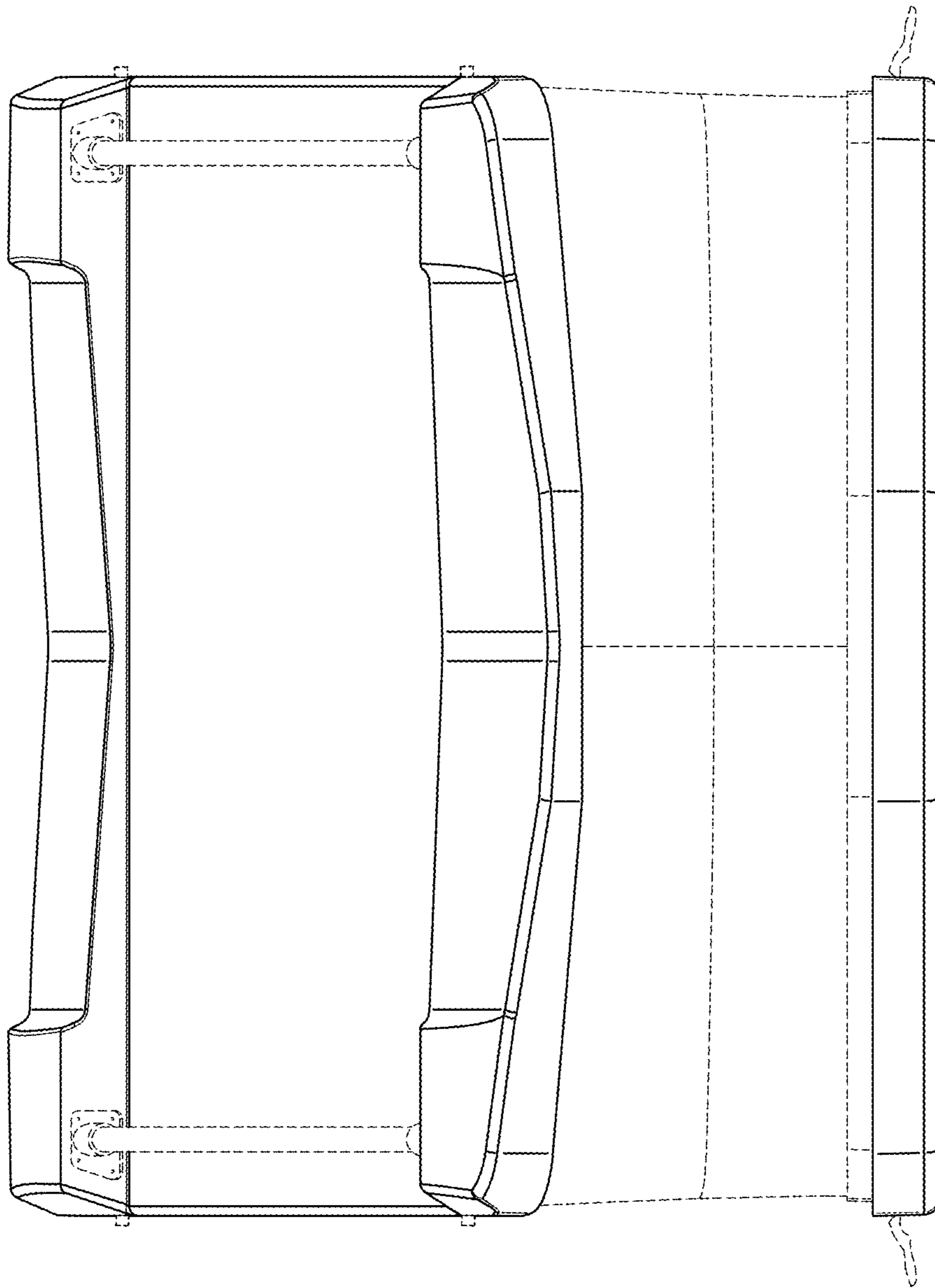


FIG. 13

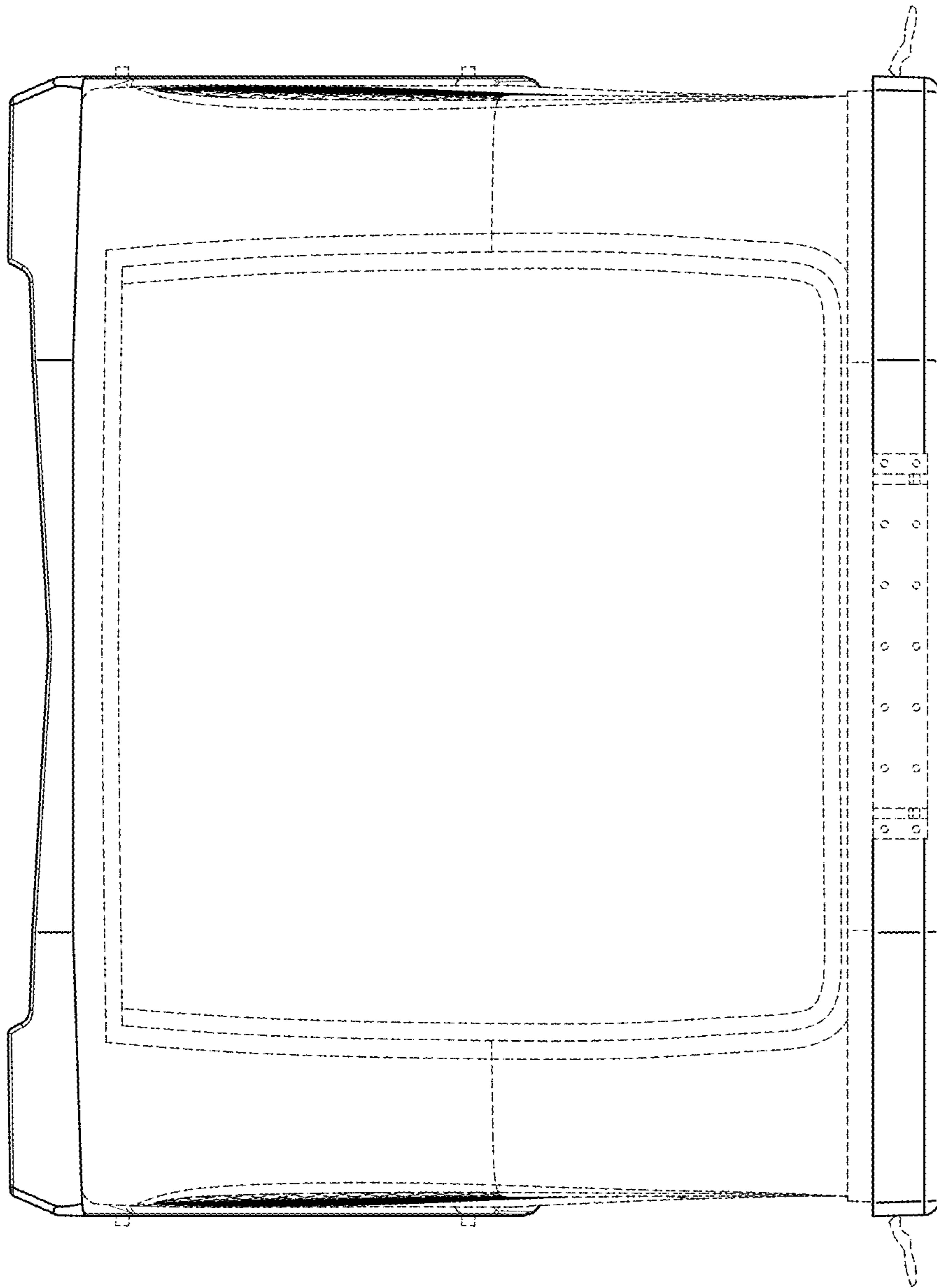


FIG. 14

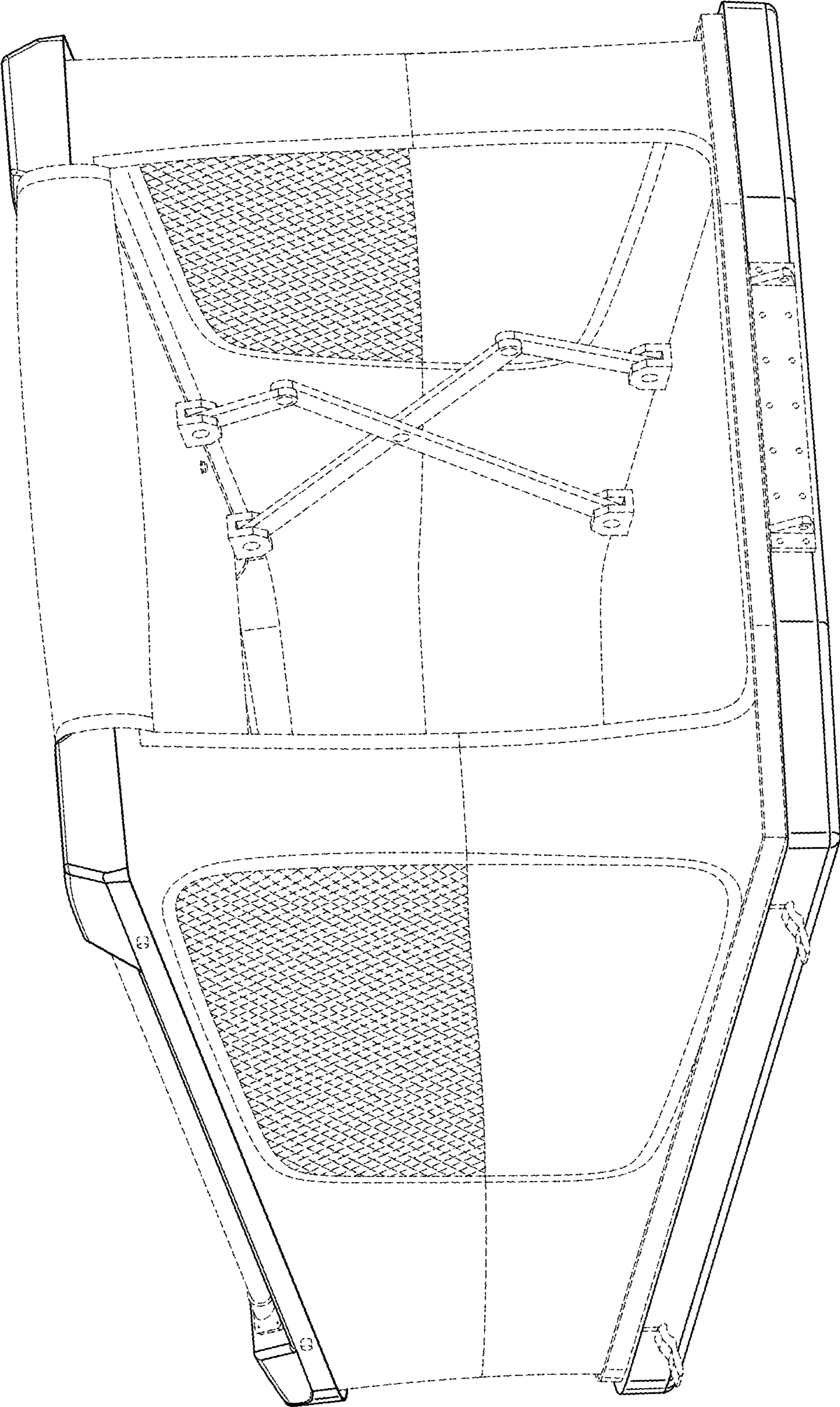


FIG. 15

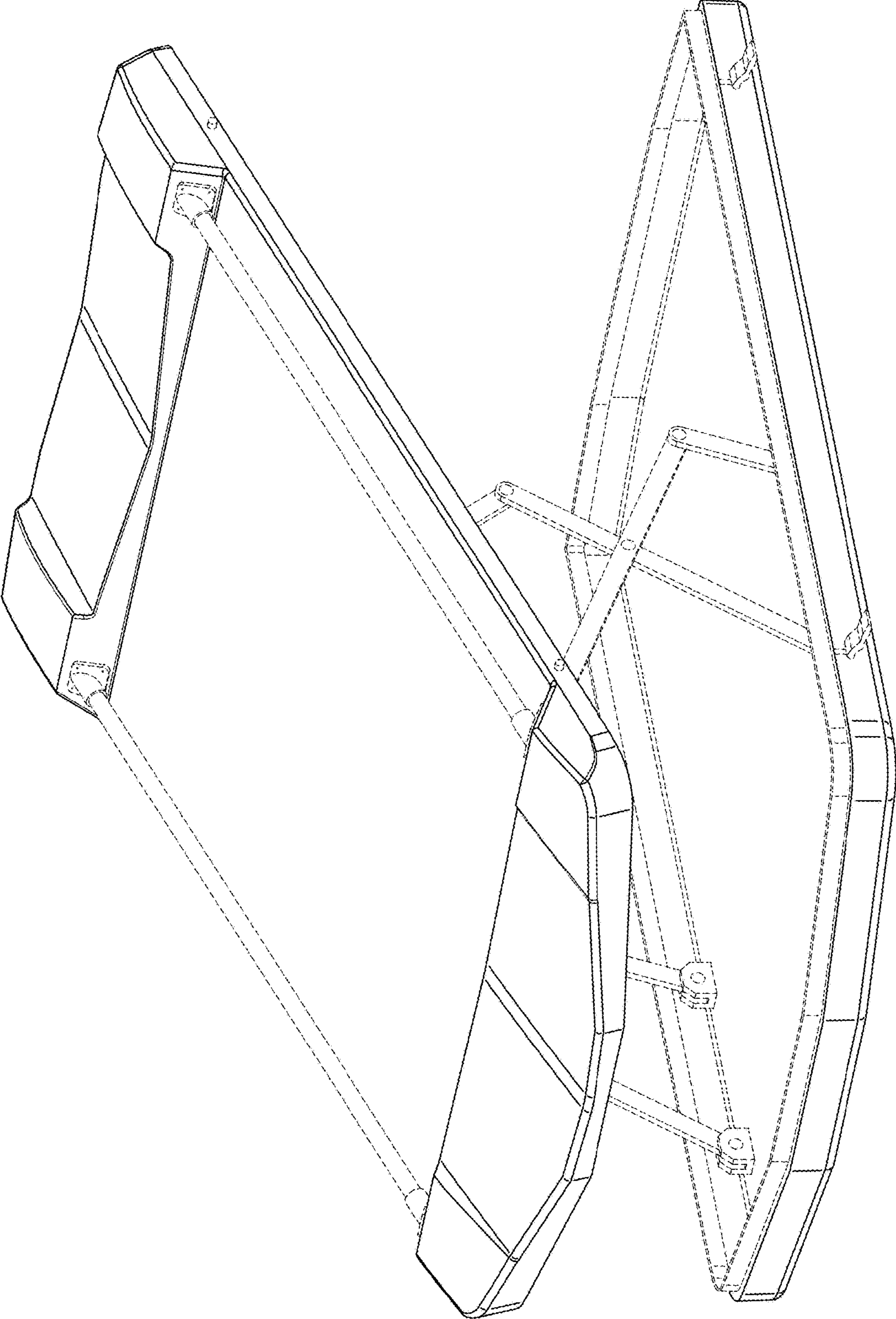


FIG. 16

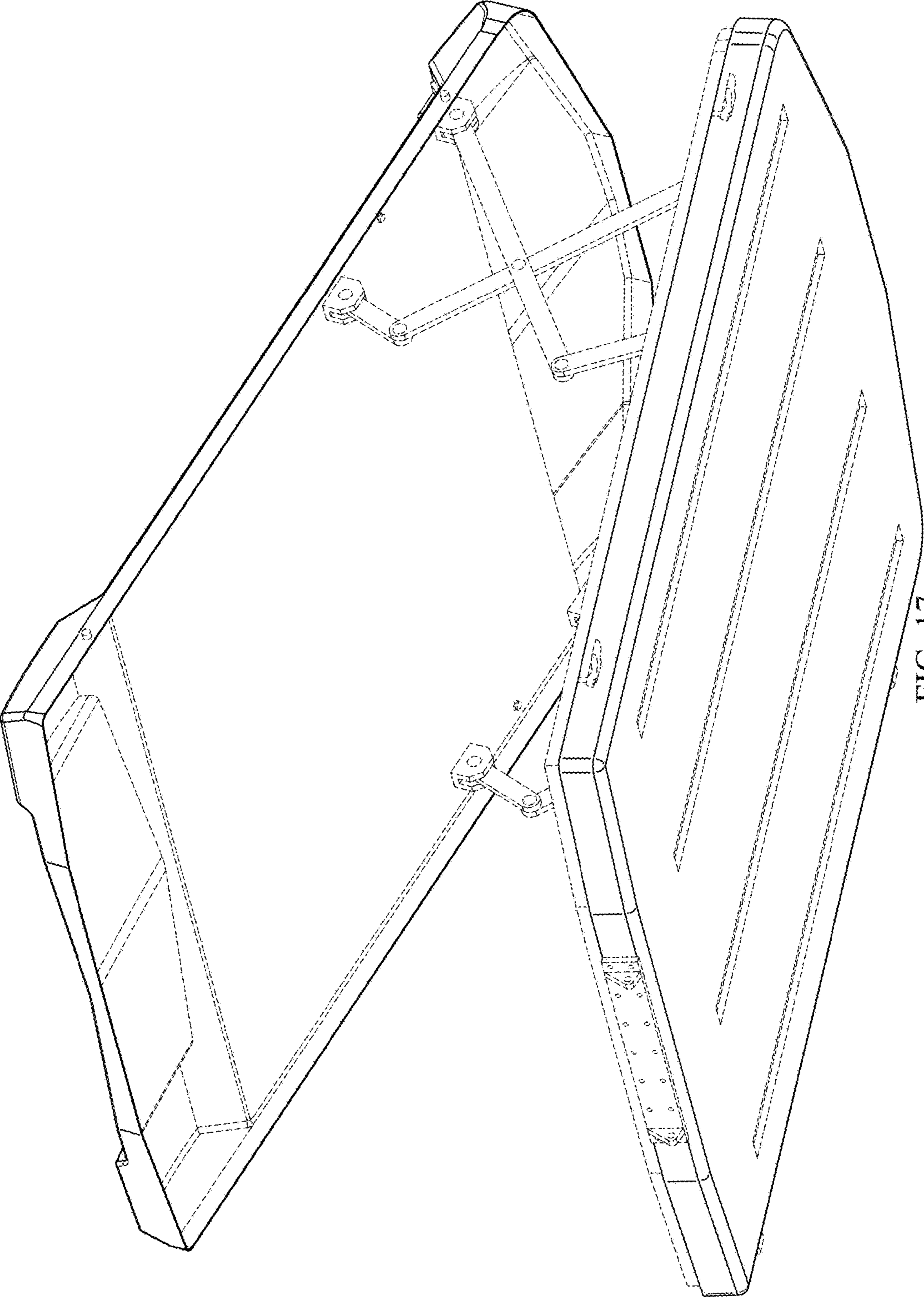


FIG. 17

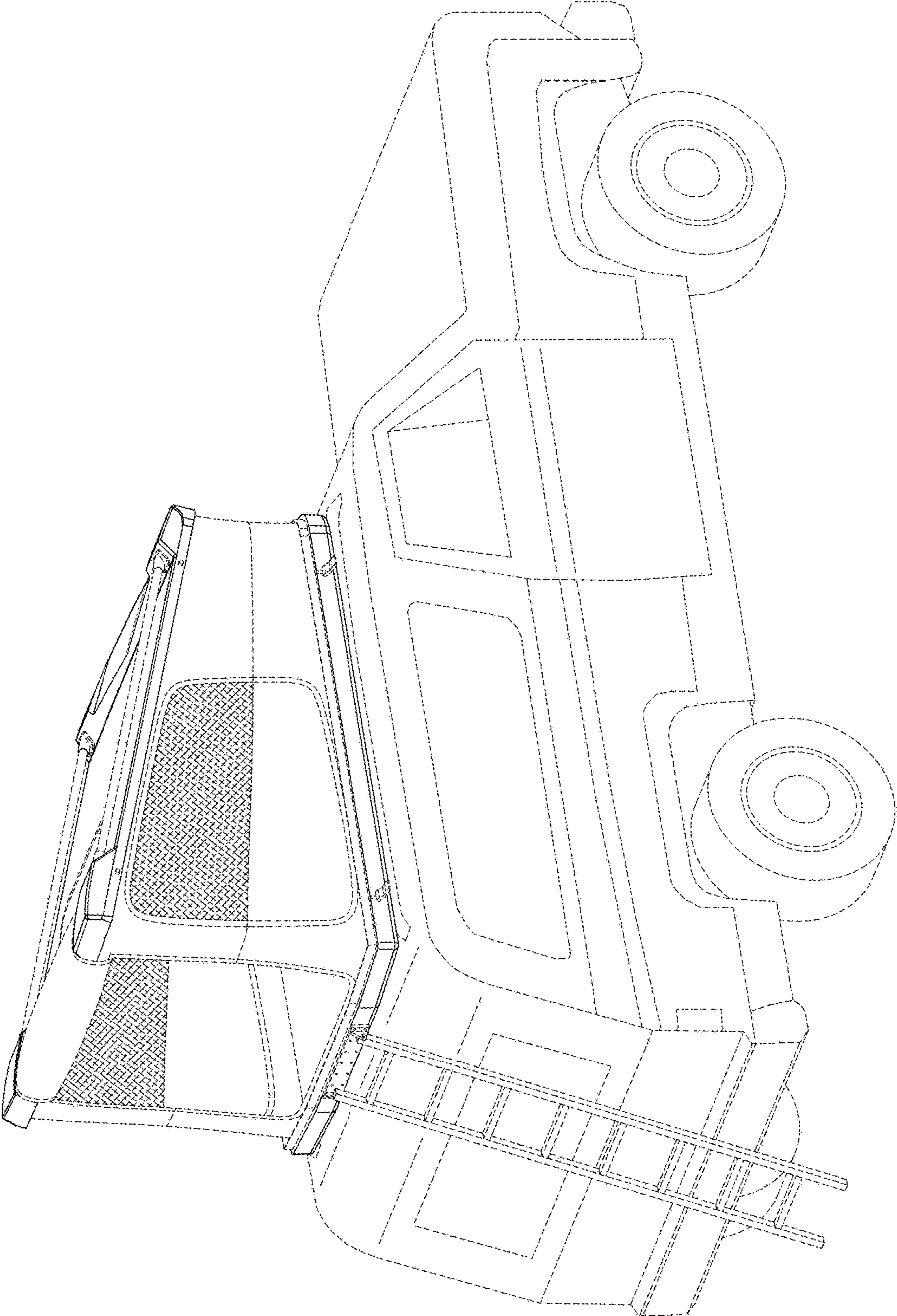


FIG. 18