



US00D820190S

(12) **United States Design Patent** (10) **Patent No.:** **US D820,190 S**  
**Wilkes et al.** (45) **Date of Patent:** **\*\* Jun. 12, 2018**

- (54) **SECURITY BULWARK**
- (71) Applicant: **GRAY PAGE MARINE SYSTEMS LIMITED**, Oxford (GB)
- (72) Inventors: **James Edward Wilkes**, Longworth (GB); **William Schofield**, Preston (GB)
- (73) Assignee: **Gray Page Marine Systems Limited**, Oxford (GB)
- (\*\*) Term: **15 Years**
- (21) Appl. No.: **35/502,369**
- (22) Filed: **Aug. 1, 2016**
- (80) **Hague Agreement Data**  
 Int. Filing Date: **Aug. 1, 2016**  
 Int. Reg. No.: **DM/092108**  
 Int. Reg. Date: **Aug. 1, 2016**  
 Int. Reg. Pub. Date: **Feb. 3, 2017**
- (51) **LOC (11) Cl.** ..... **12-16**
- (52) **U.S. Cl.**  
 USPC ..... **D12/317**
- (58) **Field of Classification Search**  
 USPC ..... **D12/300, 316-317, 318**  
 CPC ..... **B63B 17/04; B63B 2017/045**  
 See application file for complete search history.

- (56) **References Cited**
- U.S. PATENT DOCUMENTS
- |               |         |                |                       |
|---------------|---------|----------------|-----------------------|
| 3,704,680 A * | 12/1972 | Uher .....     | B63B 21/20<br>114/210 |
| 3,750,607 A * | 8/1973  | Seymour .....  | B63B 35/66<br>114/242 |
| 5,417,597 A * | 5/1995  | Levedahl ..... | B63B 3/08<br>114/65 R |

\* cited by examiner

*Primary Examiner* — Michael A. Pratt  
 (74) *Attorney, Agent, or Firm* — Banner & Witcoff, Ltd.

(57) **CLAIM**

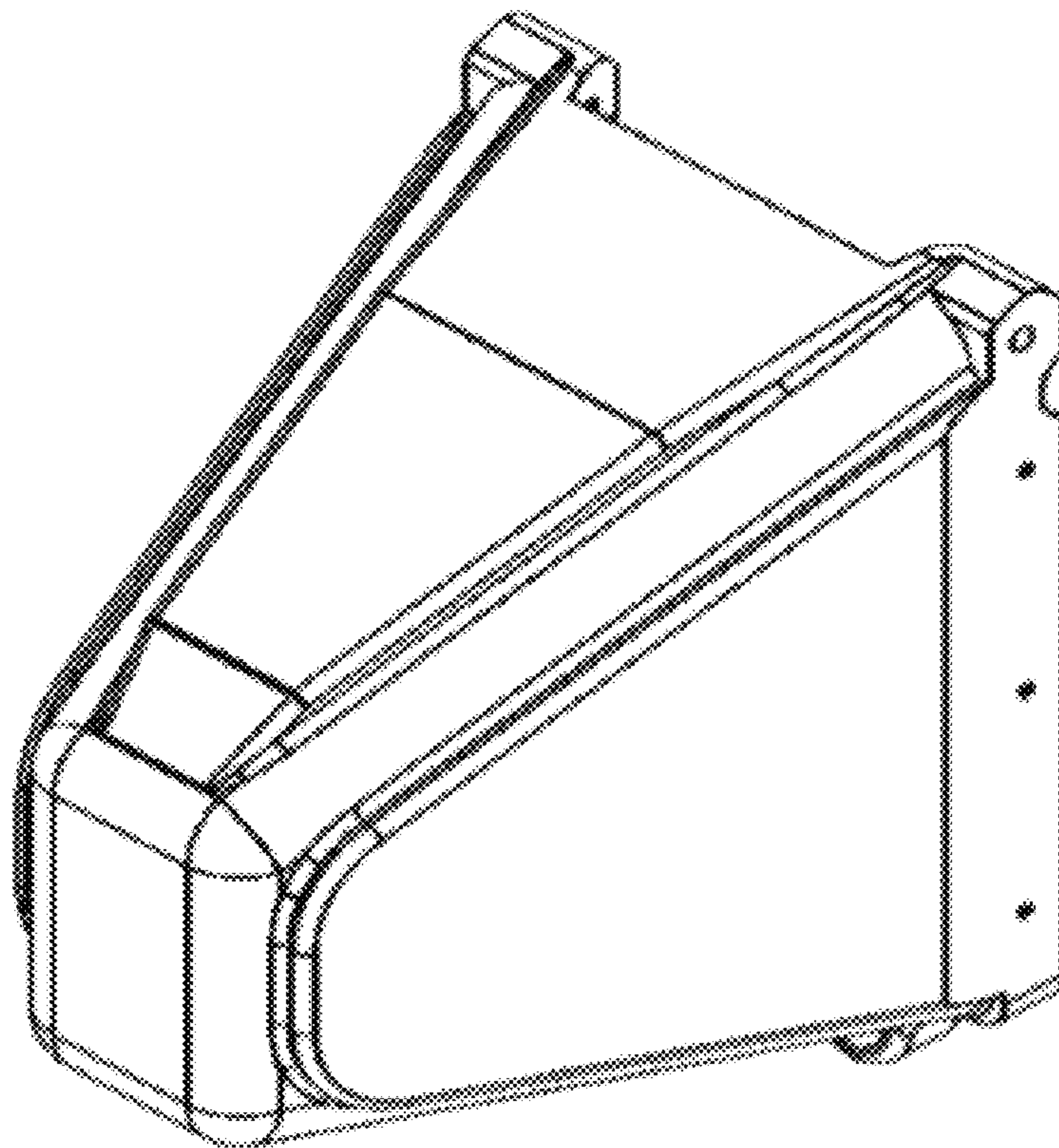
The ornamental design for a security bulwark, as shown and described.

**DESCRIPTION**

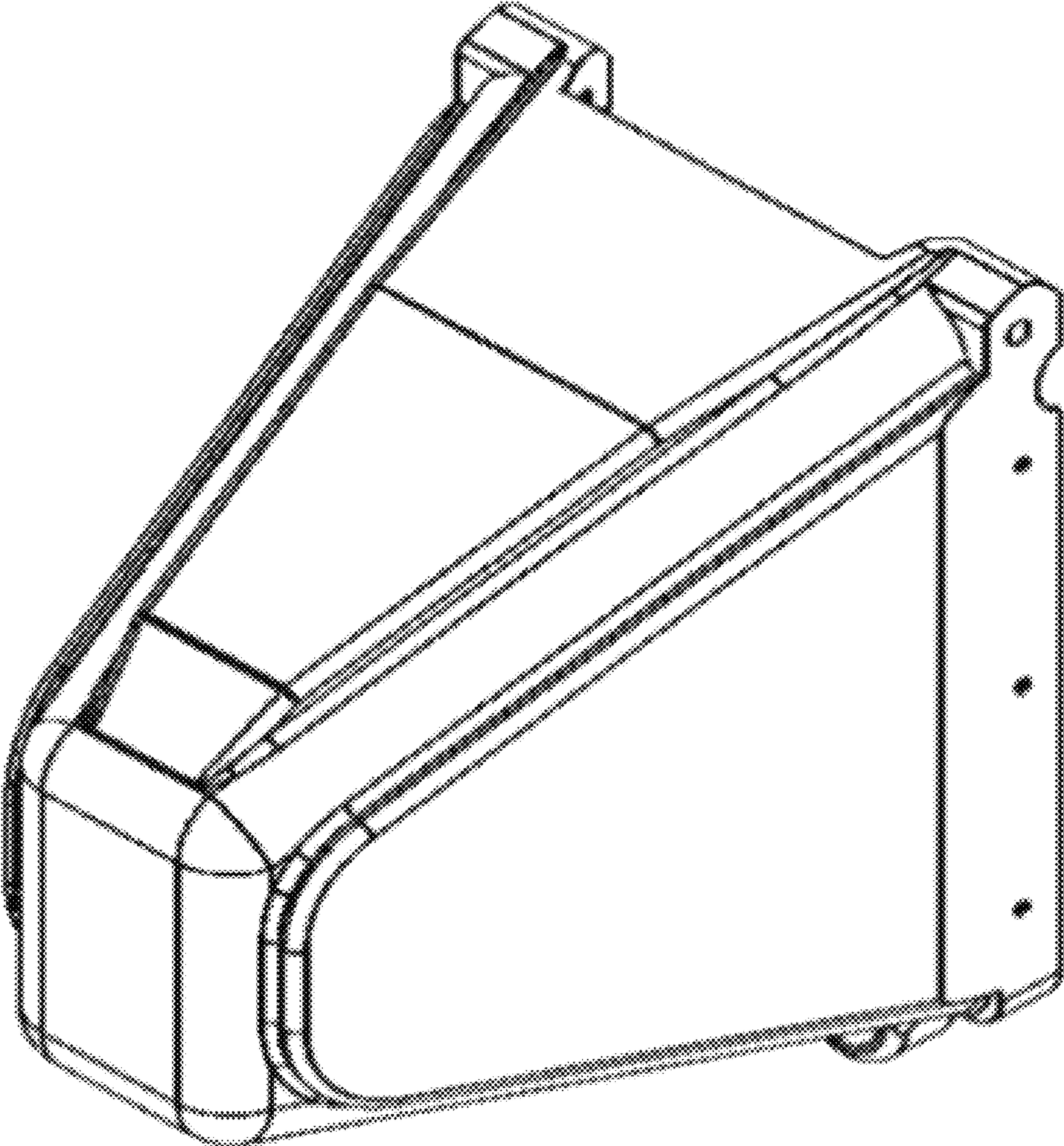
1. Security bulwark  
 1.1 : Perspective  
 1.2 : Front  
 1.3 : Left  
 1.4 : Right  
 1.5 : Back  
 1.6 : Top  
 1.7 : Bottom

Novelty is claimed for the shape and configuration of the security bulwark shown in the drawings.

**1 Claim, 7 Drawing Sheets**

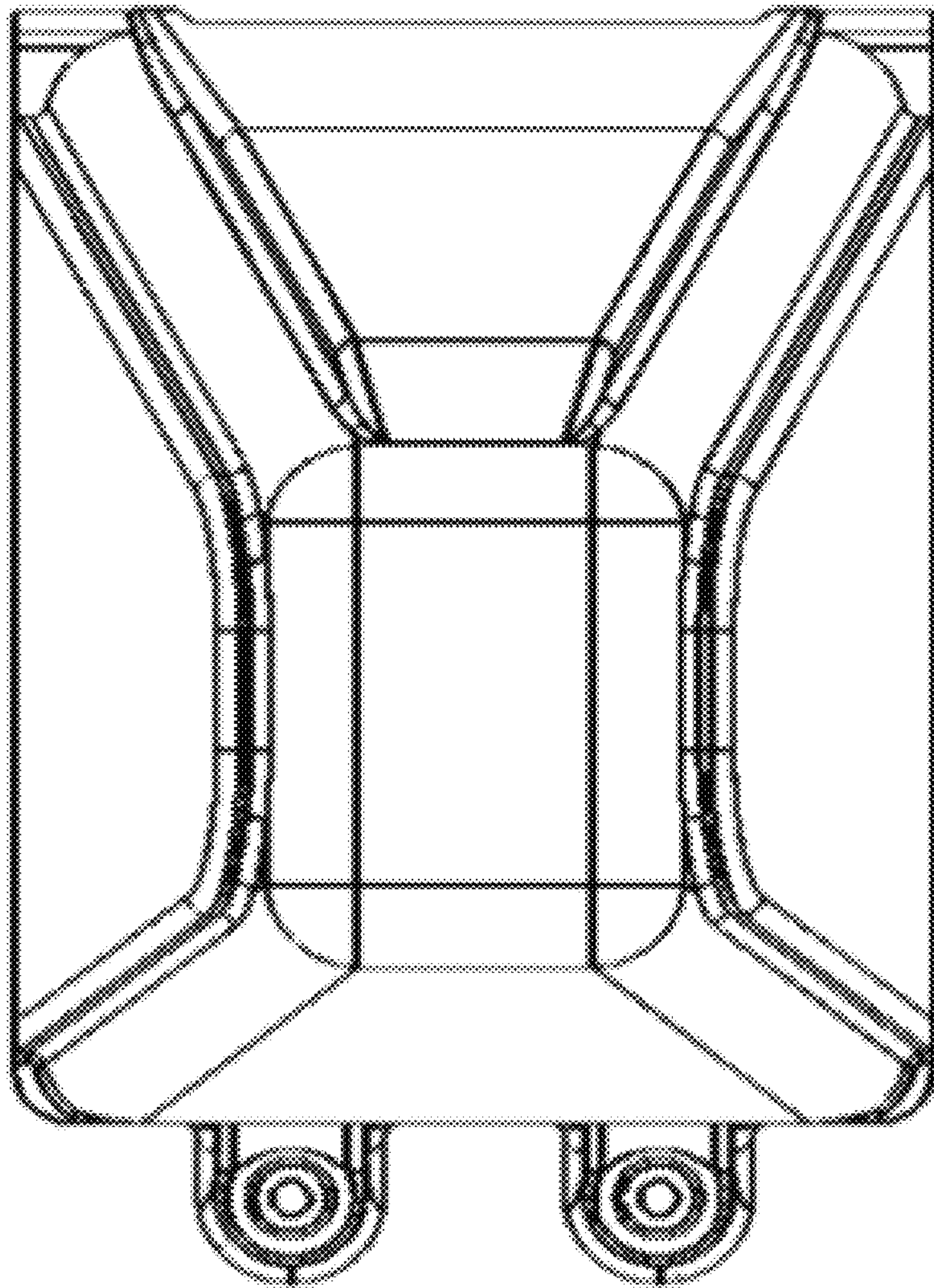


**1.1**

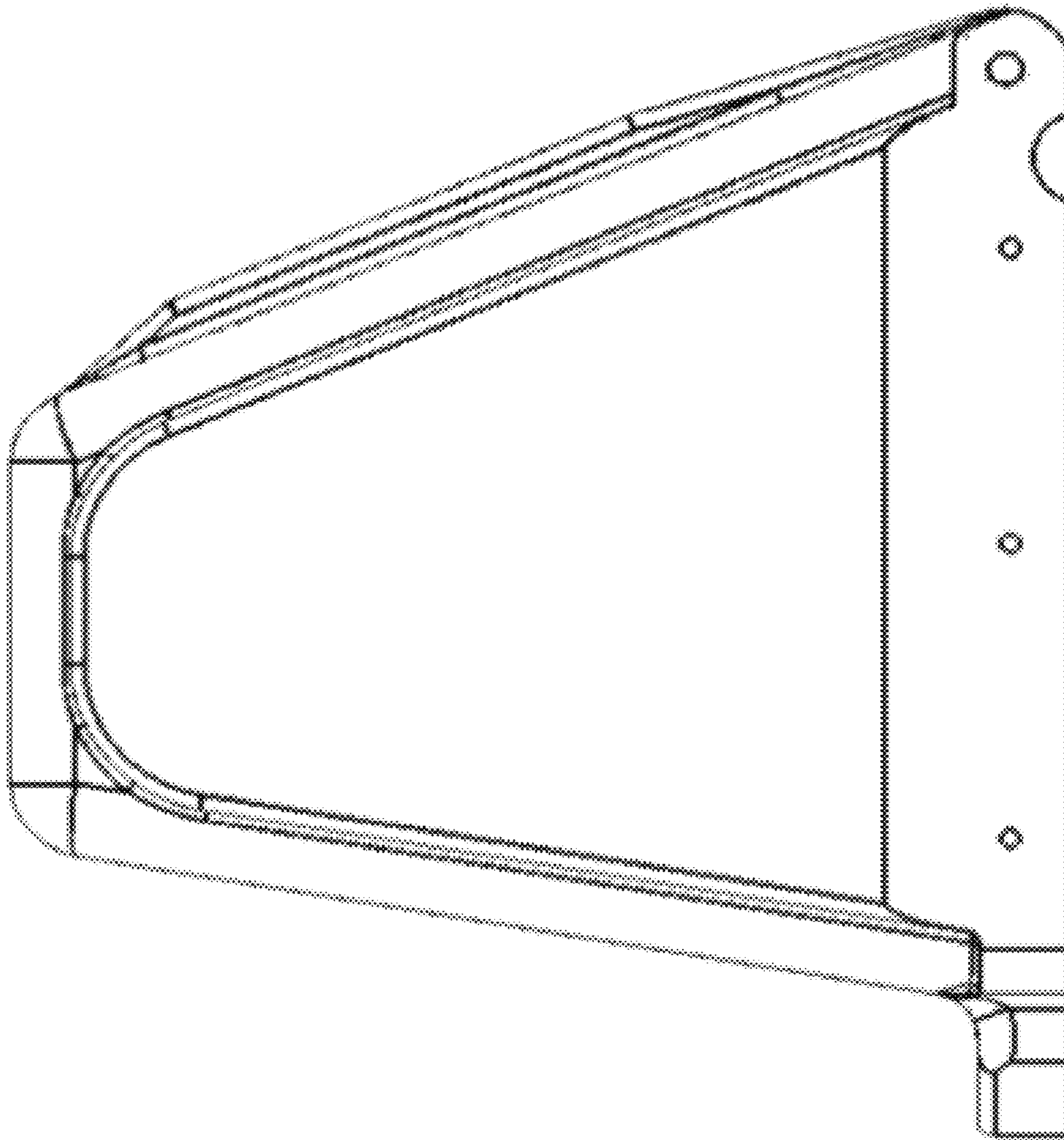




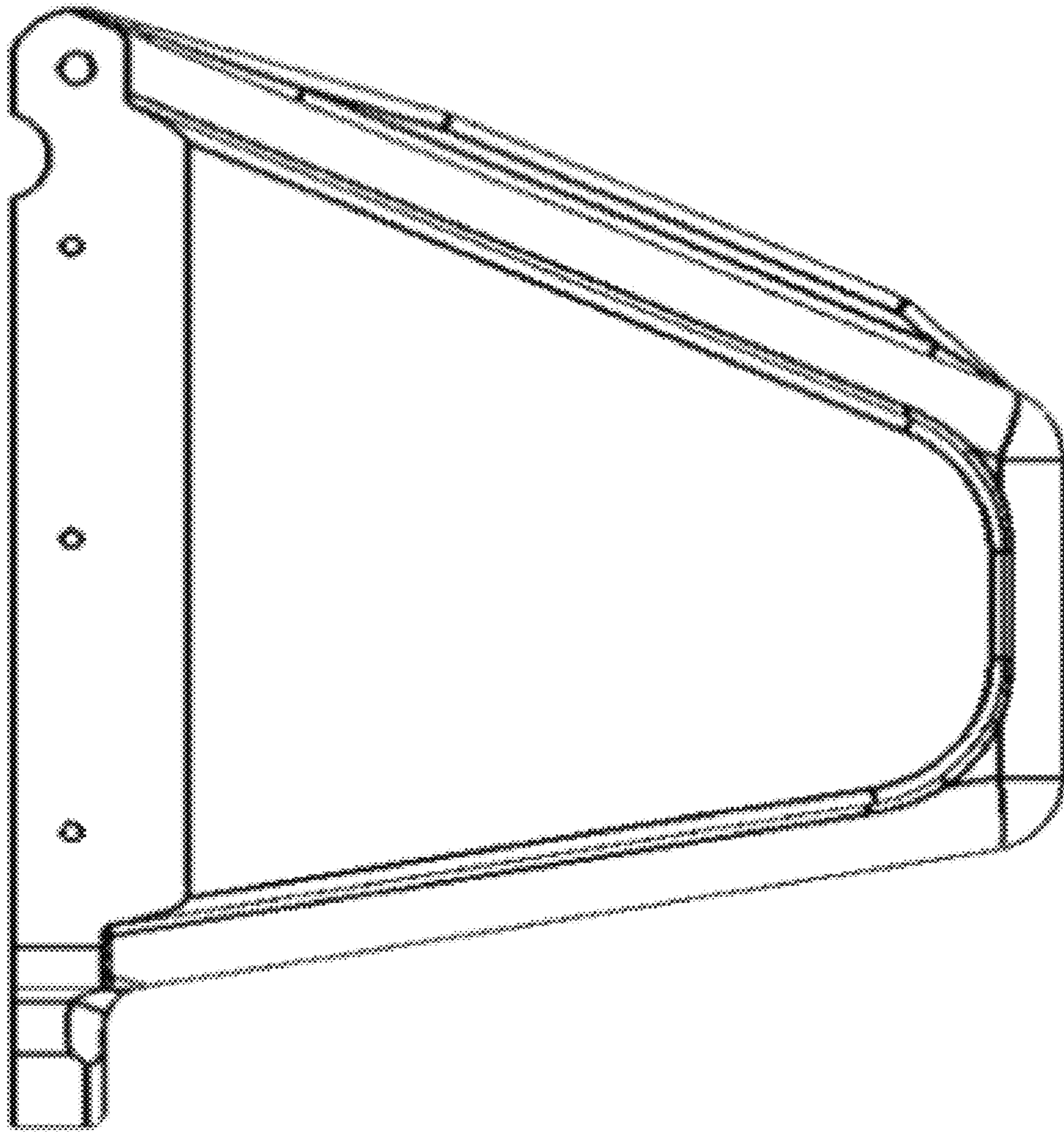
# 1.2



**1.3**

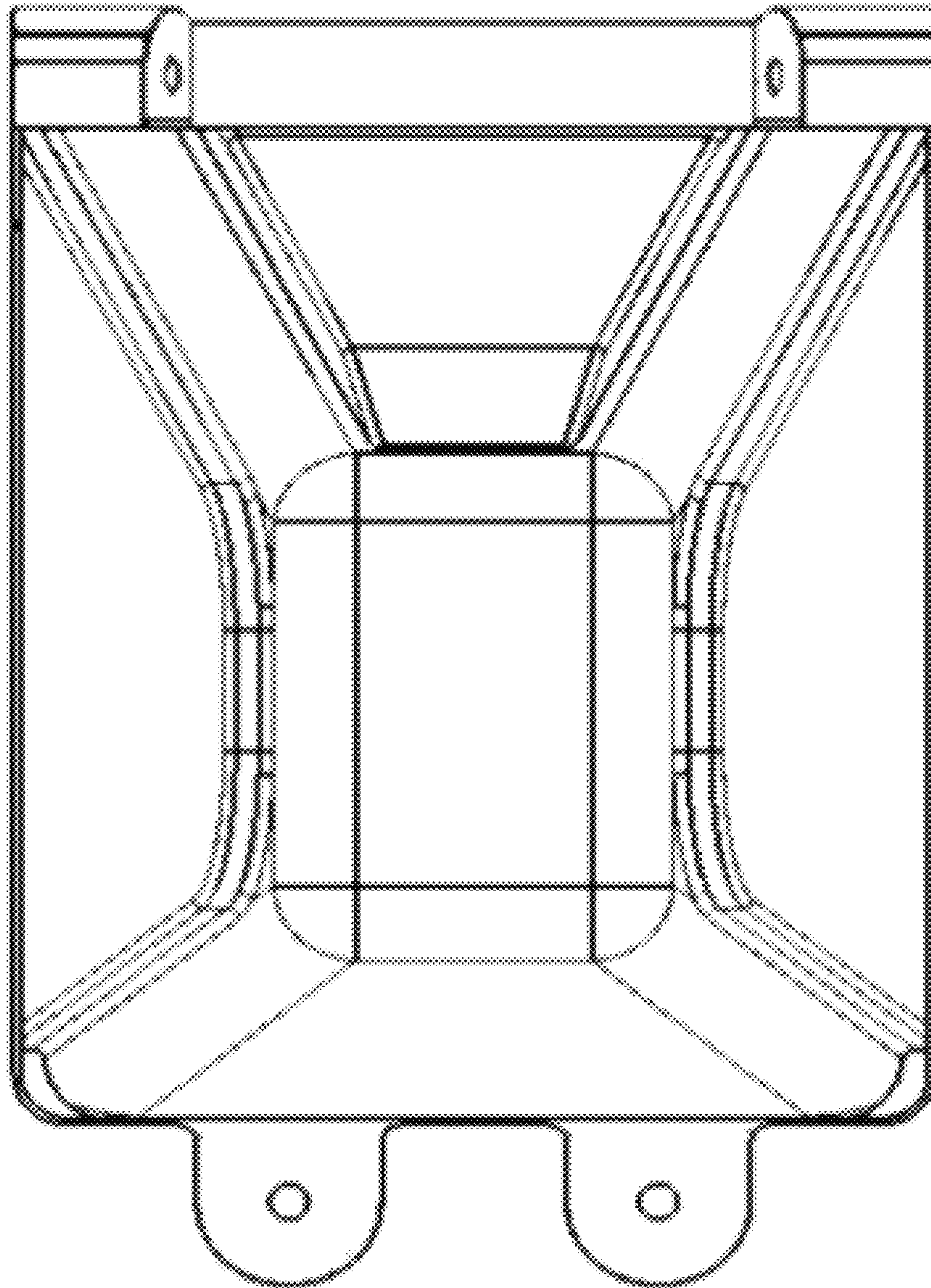


**1.4**

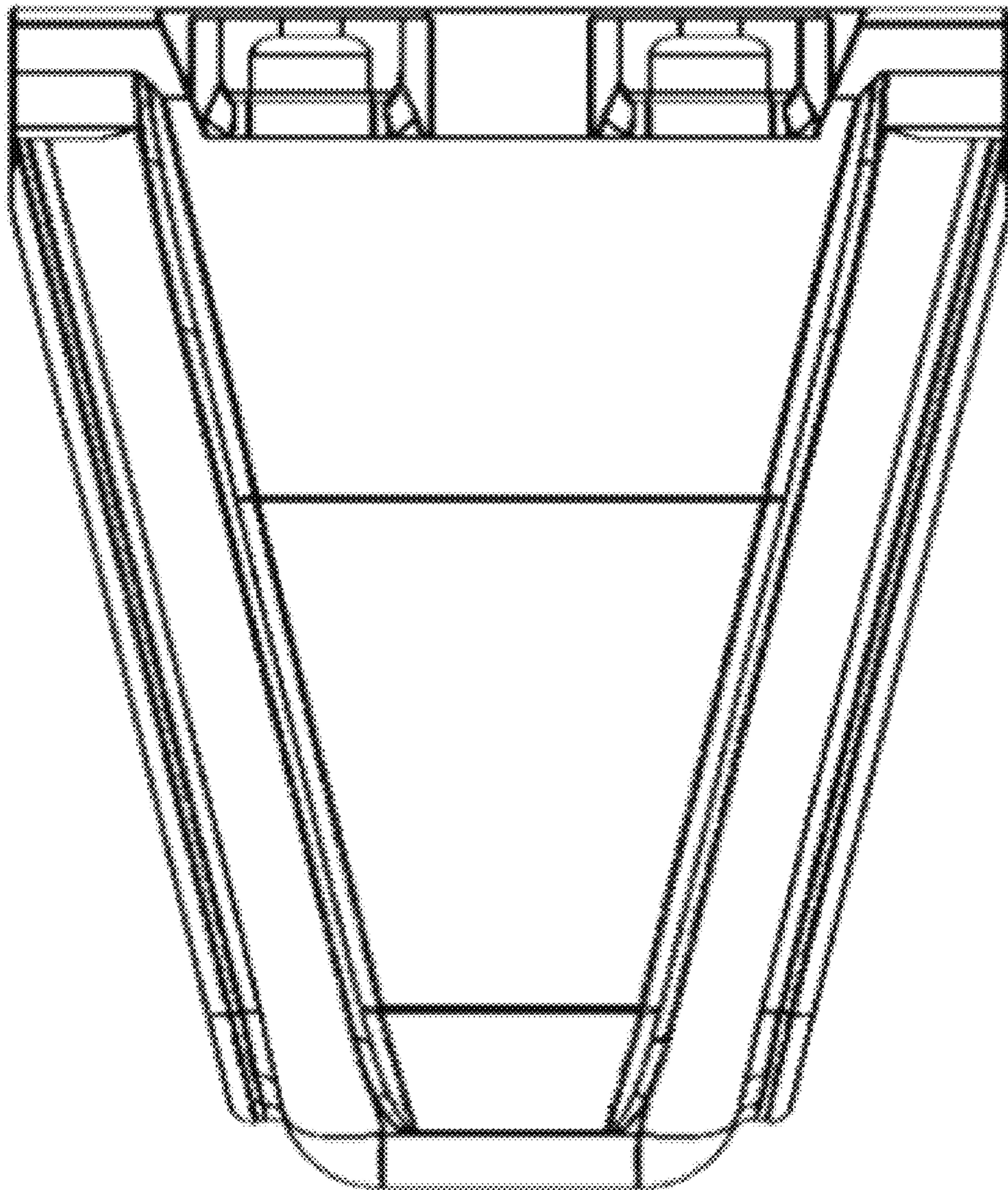




**1.5**



# 1.6





**1.7**

