



US00D820188S

(12) **United States Design Patent**  
**Hanson**

(10) **Patent No.:** **US D820,188 S**

(45) **Date of Patent:** **\*\* Jun. 12, 2018**

(54) **CARGO CARRIER**

(71) Applicant: **Joseph Edward Hanson**, Dayton, MN  
(US)

(72) Inventor: **Joseph Edward Hanson**, Dayton, MN  
(US)

(\*\*) Term: **15 Years**

(21) Appl. No.: **29/596,656**

(22) Filed: **Mar. 9, 2017**

(51) **LOC (11) Cl.** ..... **12-16**

(52) **U.S. Cl.**  
USPC ..... **D12/221**

(58) **Field of Classification Search**  
USPC .... D12/221, 98; D9/431-433, 44, 420, 422,  
D9/423, 424  
CPC .. B60R 99/00; B60R 5/00; B60R 7/04; B60N  
2/30  
See application file for complete search history.

(56) **References Cited**

**U.S. PATENT DOCUMENTS**

D486,439 S *	2/2004	Green	.....	D12/221
D498,200 S *	11/2004	Hall	.....	D12/221
D537,770 S *	3/2007	Yamazaki	.....	D12/221
D644,979 S *	9/2011	Wenrick	.....	D12/221
D652,778 S *	1/2012	Segura	.....	D12/221
D701,815 S *	4/2014	Miller	.....	D12/221

D701,816 S *	4/2014	Noon	.....	D12/221
D709,429 S *	7/2014	Noone	.....	D12/221
D718,697 S *	12/2014	Koblenzer	.....	D12/221
D761,185 S *	7/2016	Coyle	.....	D12/221

\* cited by examiner

*Primary Examiner* — Katrina A Betton

(74) *Attorney, Agent, or Firm* — Michael A. Mochinski

(57) **CLAIM**

I claim the ornamental design for a cargo carrier, as shown and described.

**DESCRIPTION**

FIG. 1 is a top perspective view of a cargo carrier showing my new design;

FIG. 2 is a top plan view thereof;

FIG. 3 is a bottom plan view thereof;

FIG. 4 is a right side elevational view thereof;

FIG. 5 is a left side elevational view thereof;

FIG. 6 is a front elevational view thereof;

FIG. 7 is a back elevational view thereof;

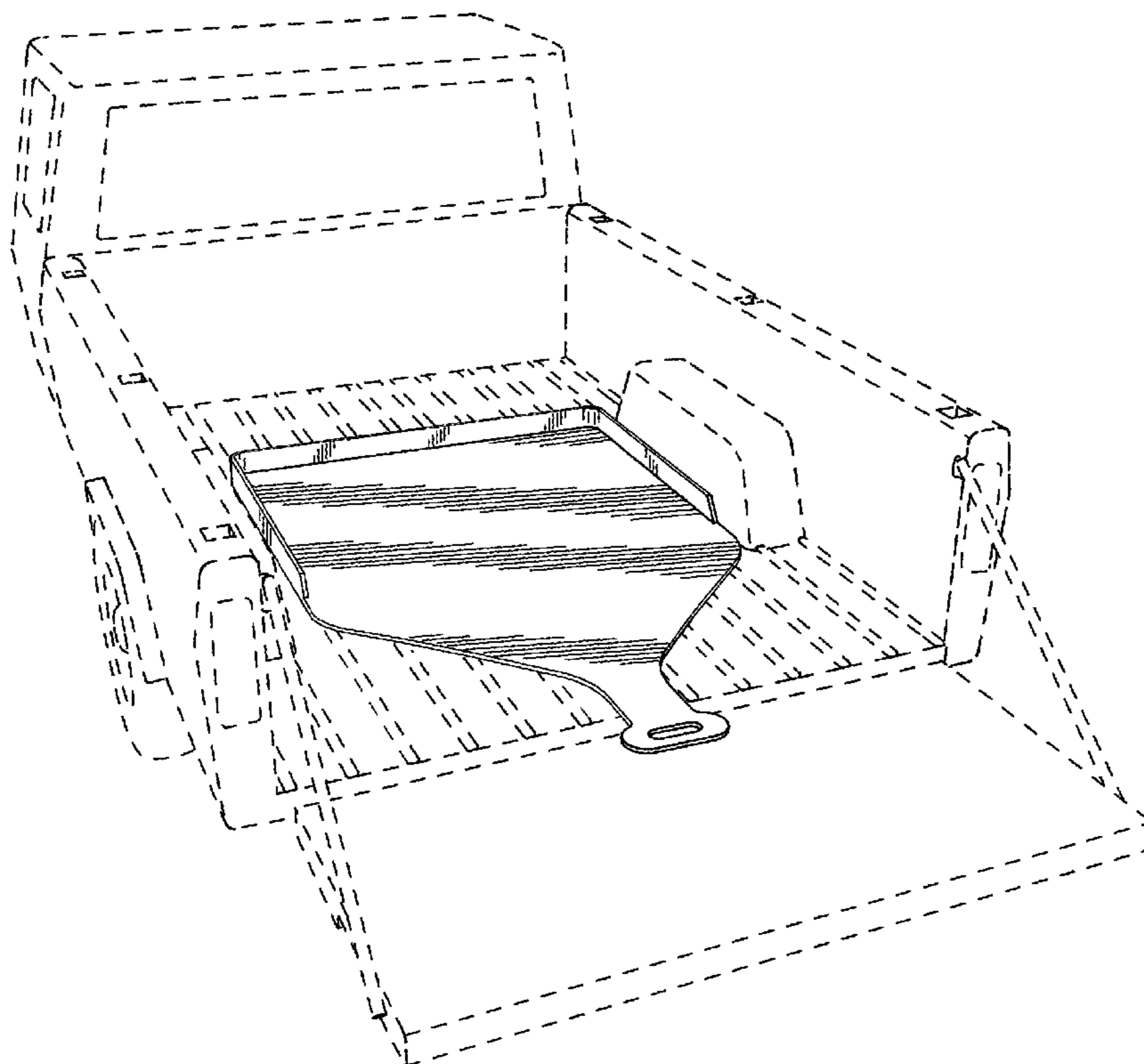
FIG. 8 is a cross sectional view thereof taken along line 8-8 of FIG. 2;

FIG. 9 is a cross sectional view thereof taken along line 9-9 of FIG. 2; and,

FIG. 10 is a top perspective view thereof shown positioned within a rear bed of a truck.

The ornamental design which is claimed is shown in solid lines in the drawings. The broken lines showing partial representation of a truck in FIG. 10 is for illustrative purposes only and forms no part of the claimed design.

**1 Claim, 7 Drawing Sheets**



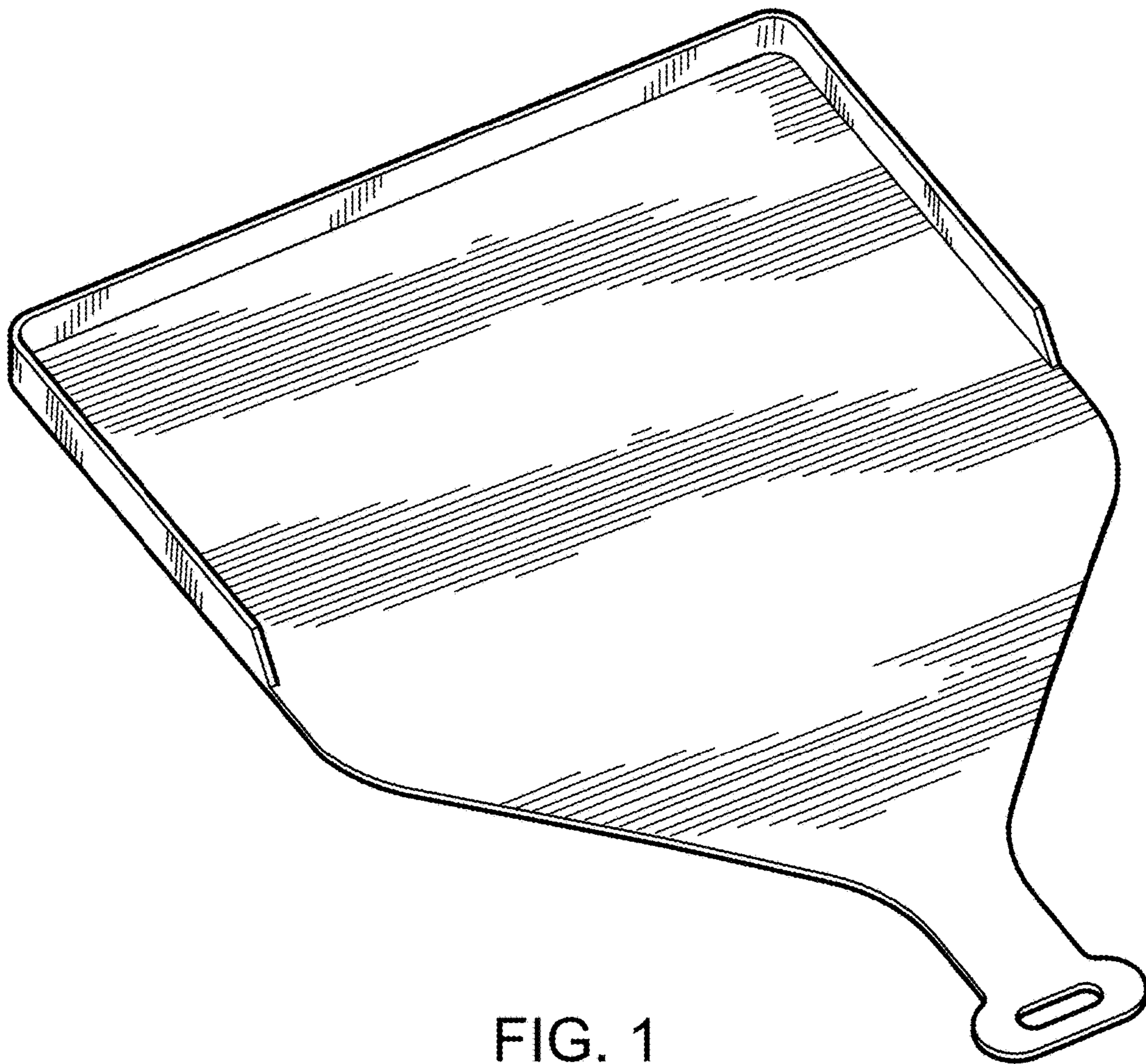


FIG. 1

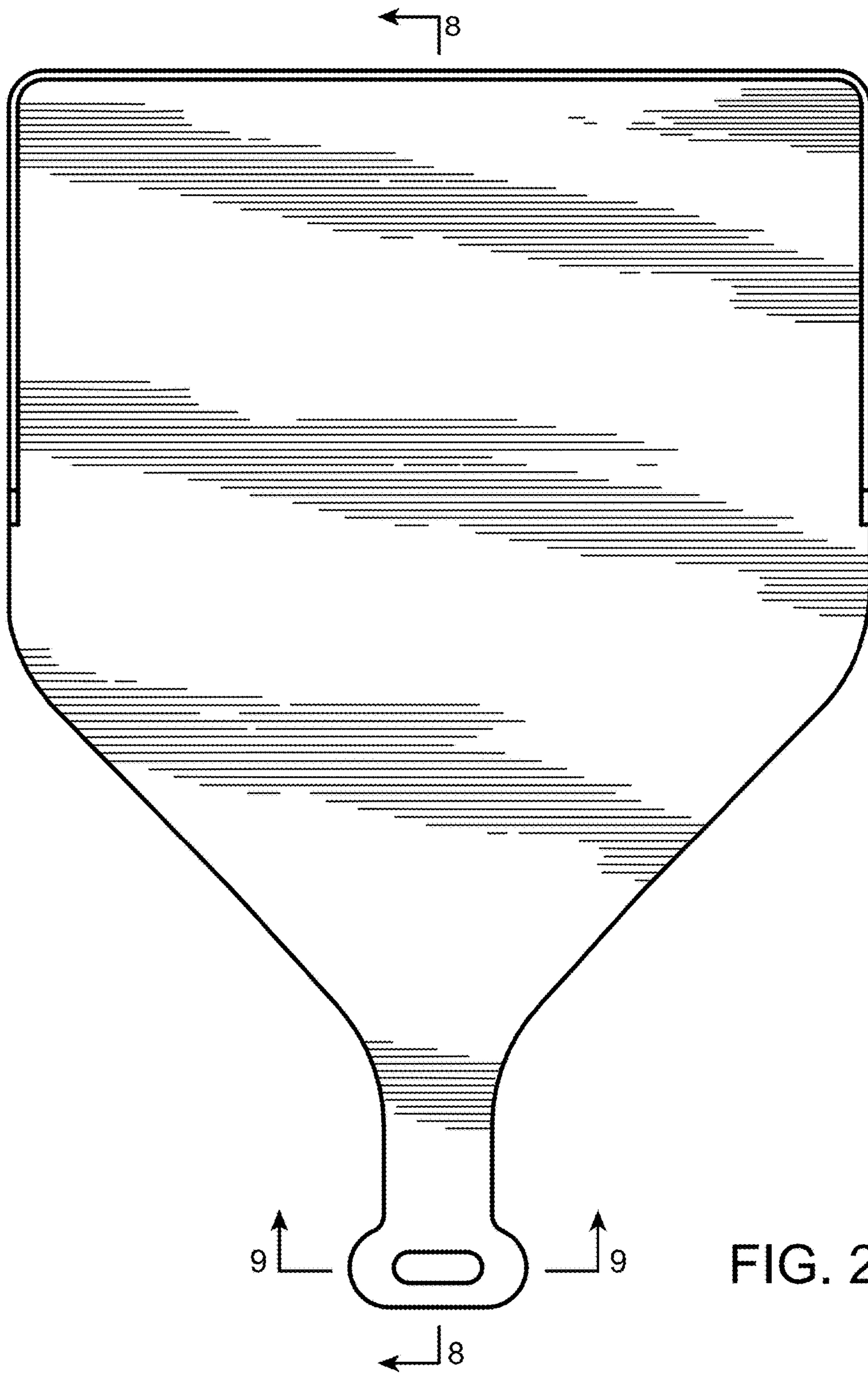


FIG. 2

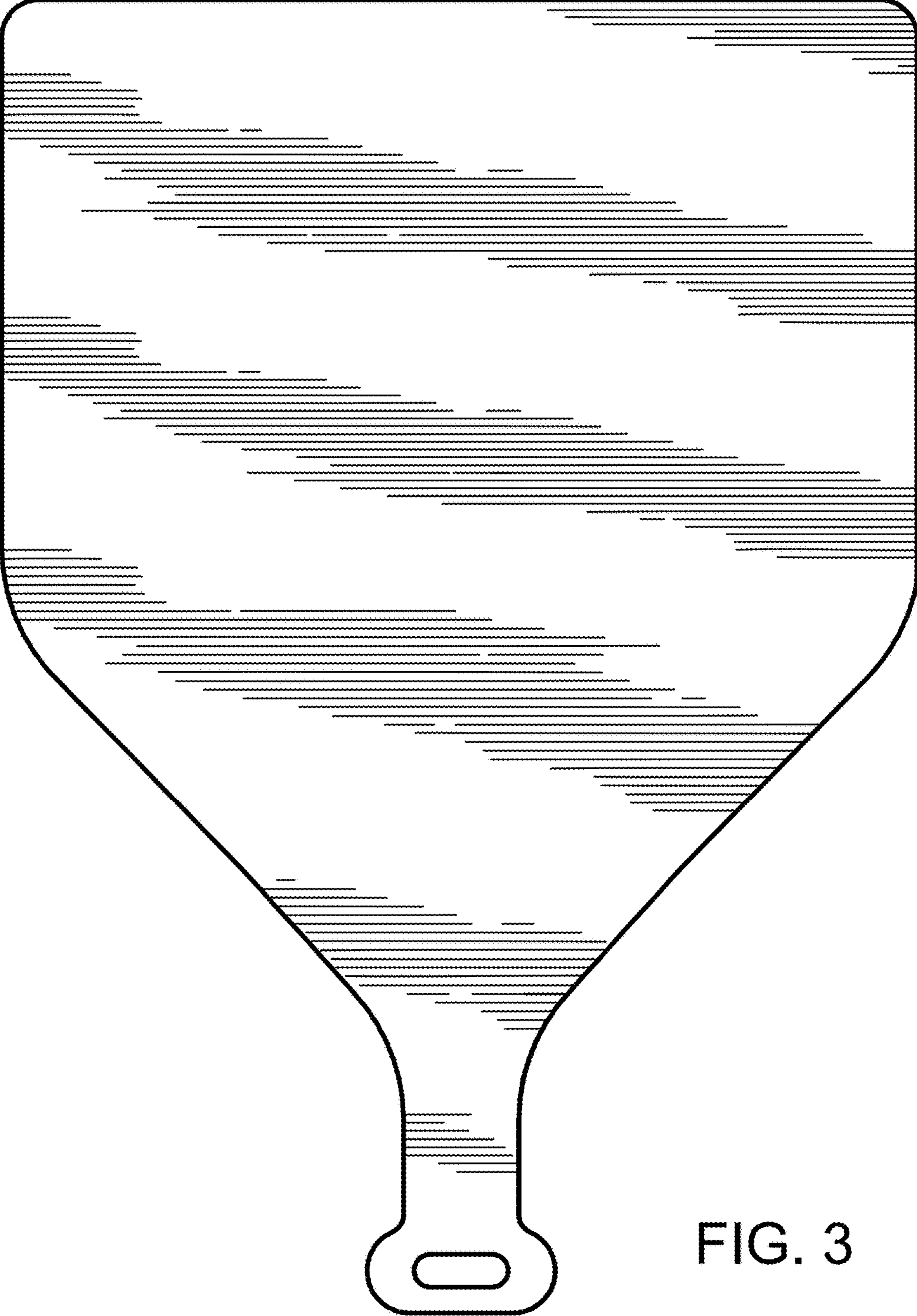


FIG. 3





FIG. 4



FIG. 5



FIG. 6



FIG. 7



FIG. 8



FIG. 9

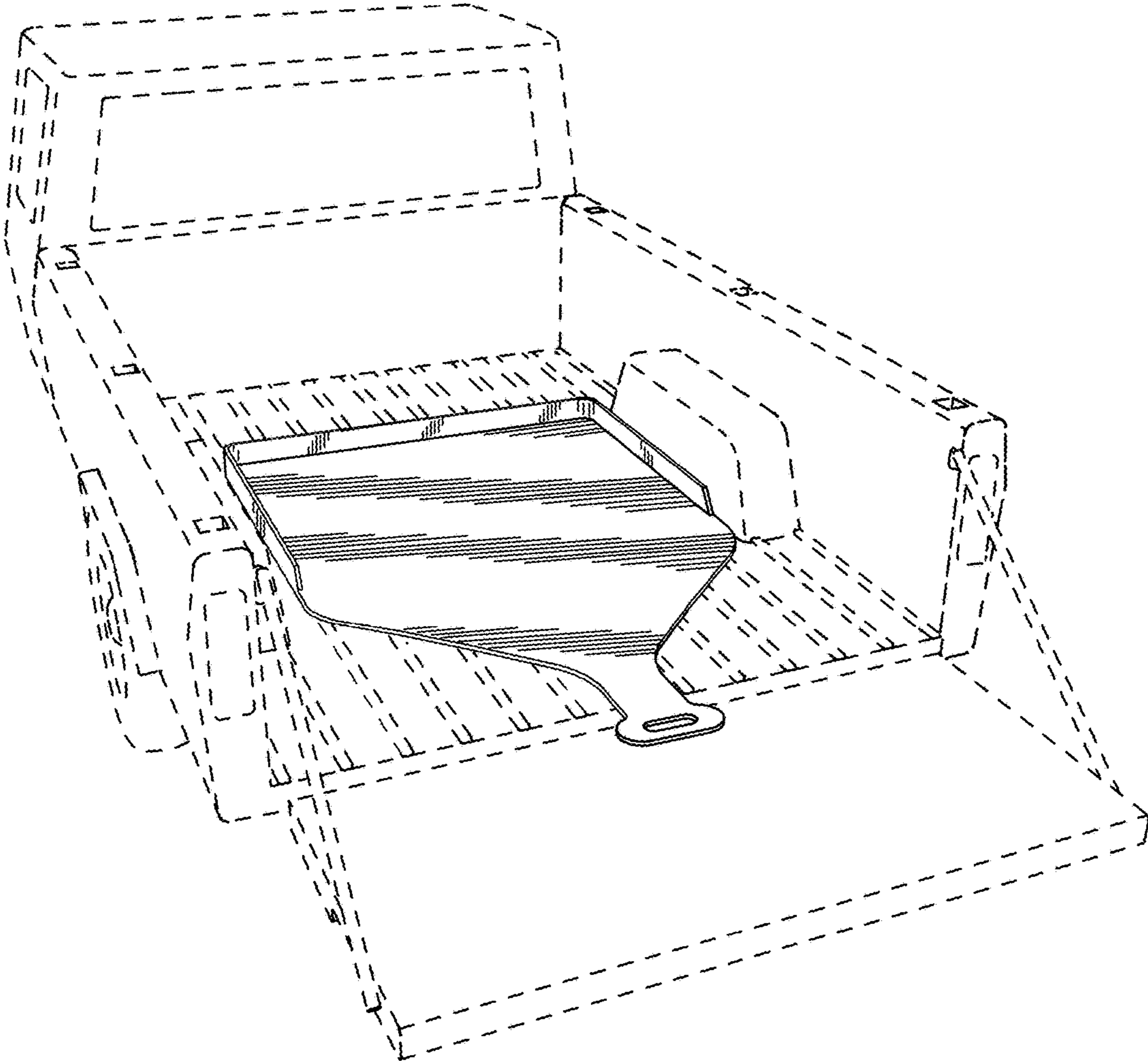


FIG. 10