



US00D820186S

(12) **United States Design Patent**  
**Badstuebner et al.**

(10) **Patent No.:** **US D820,186 S**  
(45) **Date of Patent:** **\*\* Jun. 12, 2018**

- (54) **WHEEL OR WHEEL COVER**
- (71) Applicant: **Daimler AG**, Stuttgart (DE)
- (72) Inventors: **Achim-Dietrich Badstuebner**, Munich (DE); **Robert Lesnik**, Leonberg (DE); **Peter Riedel**, Holzgerlingen (DE); **Simon Vonbruell**, Pforzheim (DE)
- (73) Assignee: **Daimler AG**, Stuttgart (DE)
- (\*\*) Term: **15 Years**
- (21) Appl. No.: **29/605,671**
- (22) Filed: **May 30, 2017**
- (51) **LOC (11) Cl.** ..... **12-16**
- (52) **U.S. Cl.**  
USPC ..... **D12/211**
- (58) **Field of Classification Search**  
USPC ..... D12/204, 205, 206, 207, 208, 209, 210, D12/211, 212, 213  
CPC .... B60B 7/00; B60B 7/01; B60B 7/02; B60B 7/04; B60B 7/06; B60B 3/02; B60B 3/04; B60B 3/06; B60B 3/10; B60B 1/00; B60B 1/08; B60B 1/10; B60B 1/12  
See application file for complete search history.

(56) **References Cited**

**U.S. PATENT DOCUMENTS**

D542,211 S *	5/2007	Hieke .....	D12/211
D544,823 S *	6/2007	Hieke .....	D12/211
D582,330 S *	12/2008	Hieke .....	D12/209
D603,779 S *	11/2009	Futschik .....	D12/211
D604,221 S *	11/2009	Krisch .....	D12/211
D604,223 S *	11/2009	Dilber .....	D12/211
D614,108 S *	4/2010	Varga .....	D12/211
D621,317 S *	8/2010	Antoniadis .....	D12/209
D649,104 S *	11/2011	Gallert .....	D12/211

D649,922 S *	12/2011	Hans .....	D12/211
D649,923 S *	12/2011	Hans .....	D12/211
D656,078 S *	3/2012	Hans .....	D12/211
D659,071 S *	5/2012	Hale, Jr. ....	D12/211
D666,547 S *	9/2012	Hilpert .....	D12/211
D666,957 S *	9/2012	Antoniadis .....	D12/211
D670,633 S *	11/2012	Kato .....	D12/211
D690,643 S *	10/2013	Kern .....	D12/211
D716,713 S *	11/2014	Hale, Jr. ....	D12/211
D746,210 S *	12/2015	Dilber .....	D12/211
D755,104 S *	5/2016	Chu .....	D12/211
D772,134 S *	11/2016	Vidojkovic .....	D12/211
D775,050 S *	12/2016	Vidojkovic .....	D12/211
D777,074 S *	1/2017	Valencia Pollex .....	D12/211
D789,865 S *	6/2017	Giolito .....	D12/211
D795,154 S *	8/2017	Hans .....	D12/211
D797,028 S *	9/2017	Chung .....	D12/211

**OTHER PUBLICATIONS**

[http://www.mandruswheels.com/mercedes\\_benz\\_wheels.php](http://www.mandruswheels.com/mercedes_benz_wheels.php)—Retrieved on Mar. 7, 2018.\*

\* cited by examiner

*Primary Examiner* — Manpreet S Matharu

*Assistant Examiner* — Mojtaba Tehrani

(74) *Attorney, Agent, or Firm* — Crowell & Moring LLP

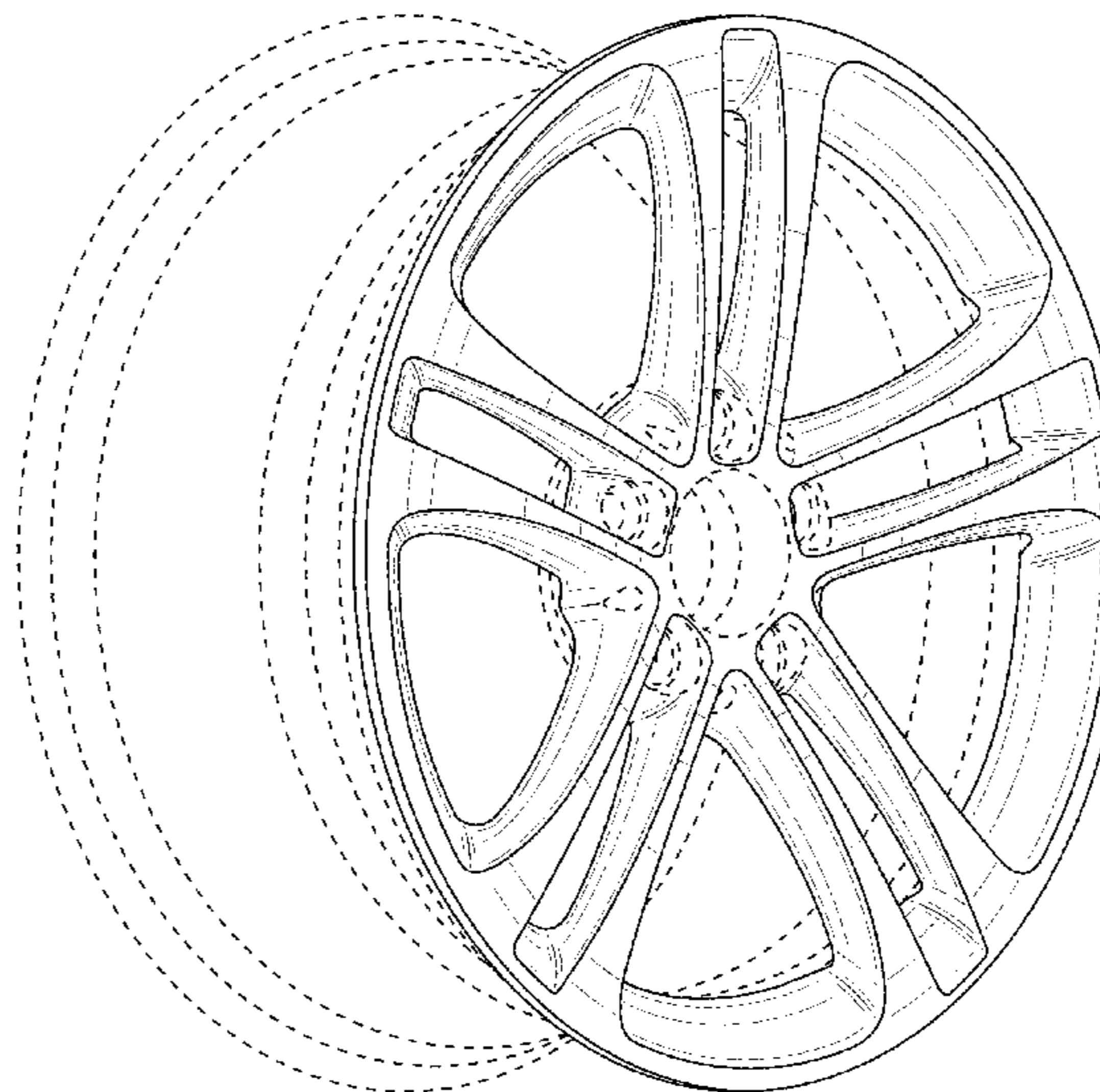
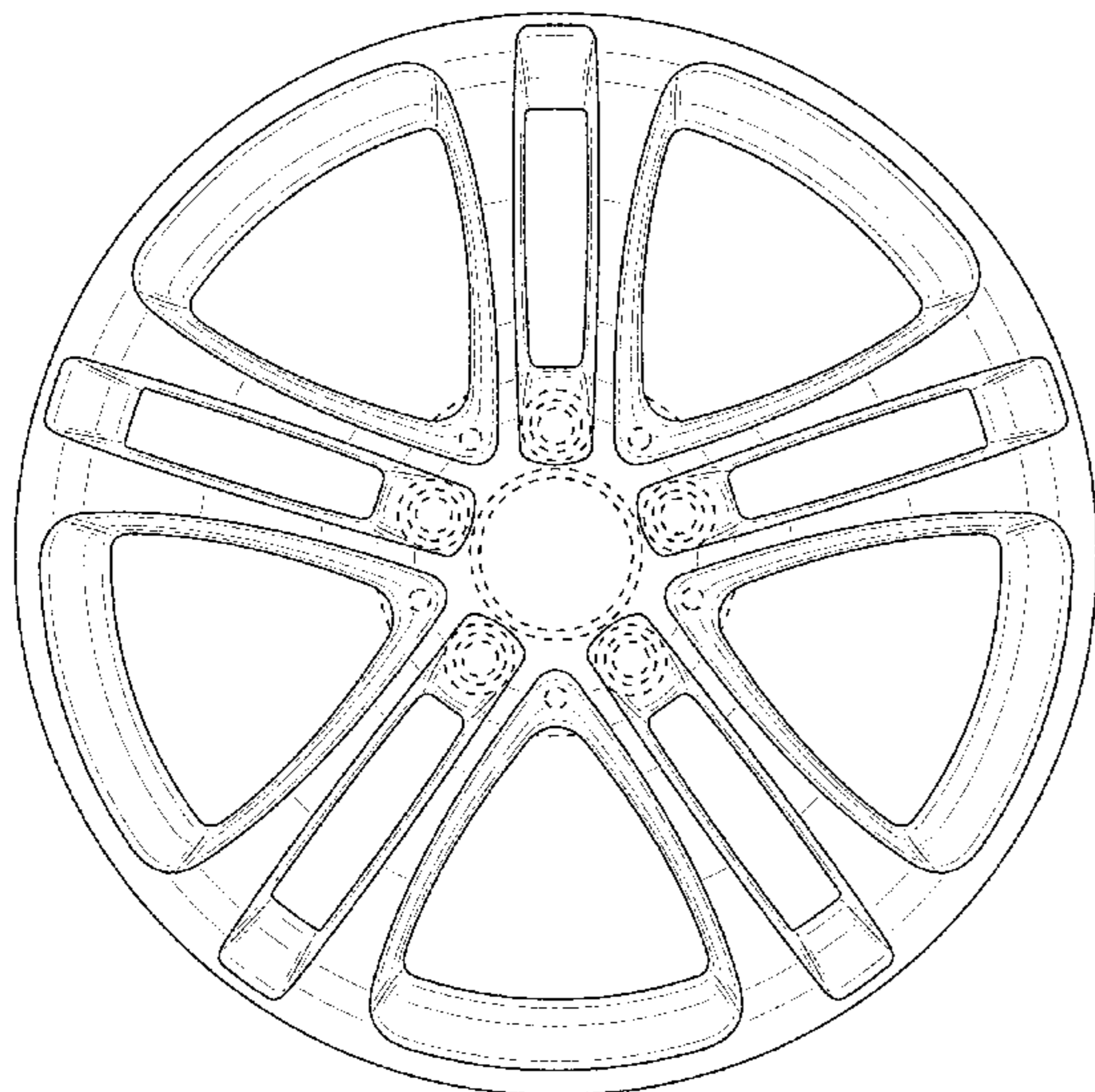
(57) **CLAIM**

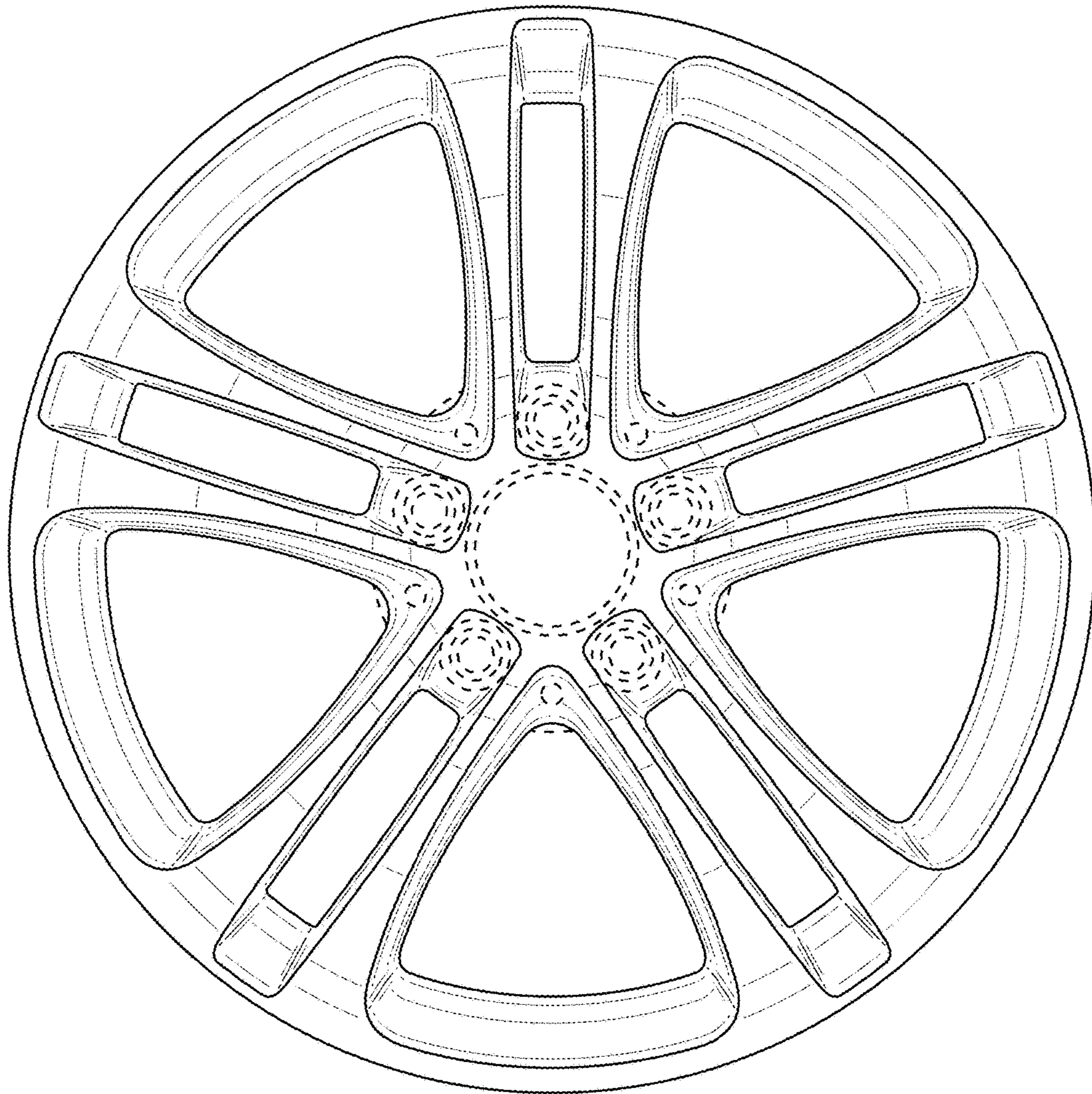
The ornamental design for a wheel or wheel cover, as shown and described.

**DESCRIPTION**

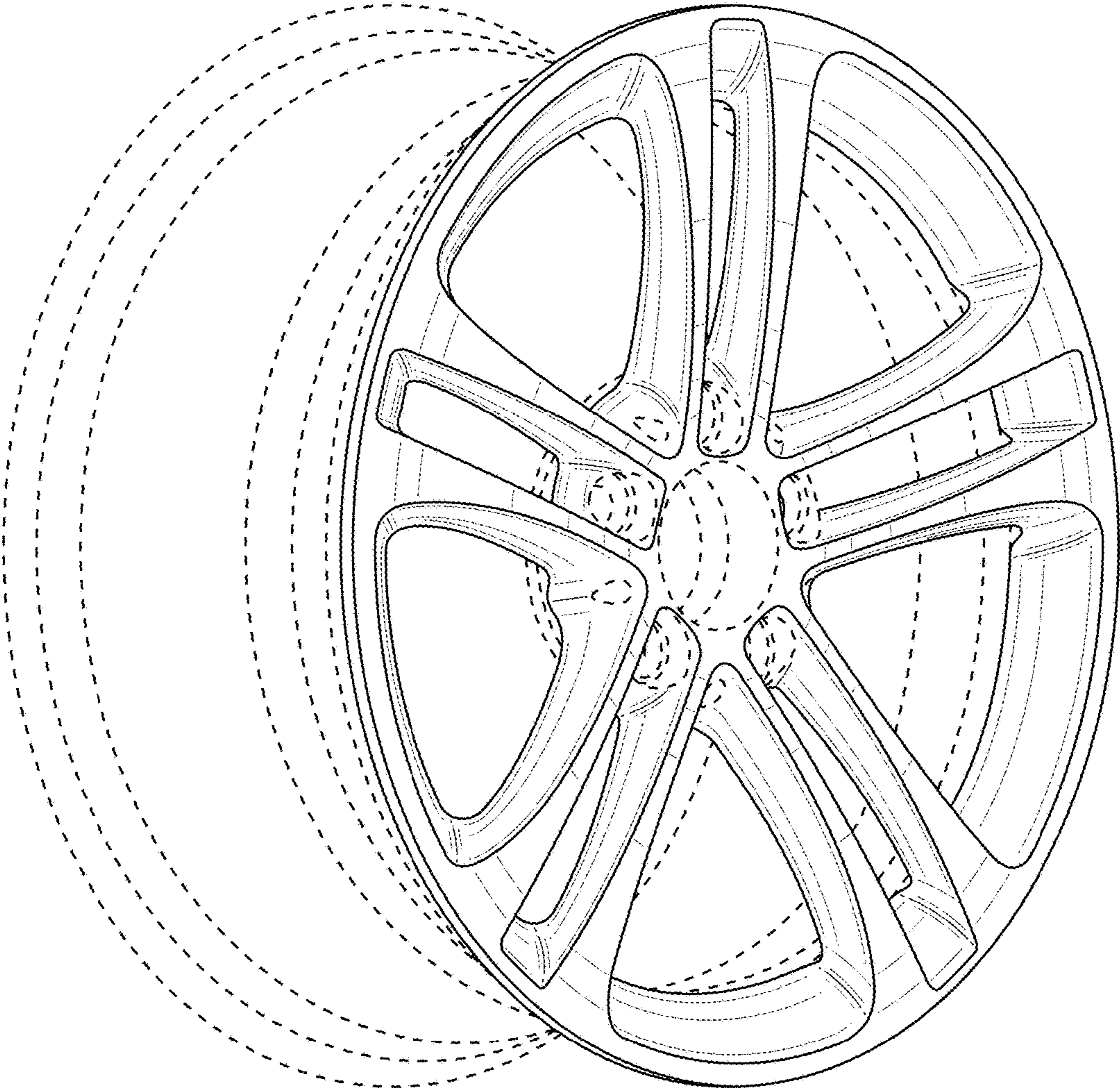
FIG. 1 is a front view of a wheel or wheel cover according to the design; and, FIG. 2 is a perspective view thereof. The broken lines in the drawings illustrate environmental subject matter only and form no part of the claimed design.

**1 Claim, 2 Drawing Sheets**





**FIG. 1**



**FIG. 2**