



US00D820185S

(12) **United States Design Patent** (10) **Patent No.:** **US D820,185 S**
Mielke (45) **Date of Patent:** **** Jun. 12, 2018**

(54) **VEHICLE WHEEL**
(71) Applicant: **Bayerische Motoren Werke
Aktiengesellschaft, Munich (DE)**
(72) Inventor: **Gerrit Roland Udo Mielke, Munich
(DE)**
(73) Assignee: **Bayerische Motoren Werke
Aktiengesellschaft, Munich (DE)**
(**) Term: **15 Years**

D563,304 S * 3/2008 Pfeiffer D12/211
D635,905 S * 4/2011 Toth D12/211
D658,562 S * 5/2012 Junghanns
D683,683 S * 6/2013 Thumer
D696,617 S * 12/2013 Mueller-Stolz D12/211
D714,204 S * 9/2014 Garbas D12/204
D739,327 S * 9/2015 Wagener D12/209
D768,554 S * 10/2016 Rueckheim
D781,205 S * 3/2017 O'Neill D12/211
D785,533 S * 5/2017 Pires D12/209
D787,415 S * 5/2017 Juergens D12/211
D792,315 S * 7/2017 Mielke D12/211
D798,788 S * 10/2017 Valencia Pollex D12/211
D799,396 S * 10/2017 Song D12/211

(Continued)

(21) Appl. No.: **29/590,498**

(22) Filed: **Jan. 11, 2017**

(30) **Foreign Application Priority Data**

Jul. 12, 2016 (DE) 40 2016 100 875

(51) **LOC (11) Cl.** **12-16**

(52) **U.S. Cl.**
USPC **D12/211**

(58) **Field of Classification Search**
USPC D12/400, 204-213, 217; D9/452, 538,
D9/541, 546, 559, 669; D7/506, 539,
D7/540, 556, 563, 567, 615, 675, 677
CPC B60B 7/00; B60B 7/02; B60B 7/04; B60B
7/01; B60B 7/06; B60B 3/02; B60B 3/04;
B60B 3/06; B60B 3/10; B60B 1/00;
B60B 1/08; B60B 1/10; B60B 1/12
See application file for complete search history.

(56) **References Cited**

U.S. PATENT DOCUMENTS

D504,383 S * 4/2005 Pfeiffer D12/211
D520,933 S * 5/2006 Pfeiffer D12/211
D526,263 S * 8/2006 Brown D12/209
D535,605 S * 1/2007 Guevara D12/211
D539,722 S * 4/2007 Pfeiffer D12/211
D562,207 S * 2/2008 Pfeiffer D12/211

FOREIGN PATENT DOCUMENTS

DE 40111247-0002 5/2002
EM 001636978-001 11/2010
EM 001812504-000 8/2012

(Continued)

Primary Examiner — Susan Bennett Hattan
Assistant Examiner — Marie D. Fast Horse
(74) *Attorney, Agent, or Firm* — Crowell & Moring LLP

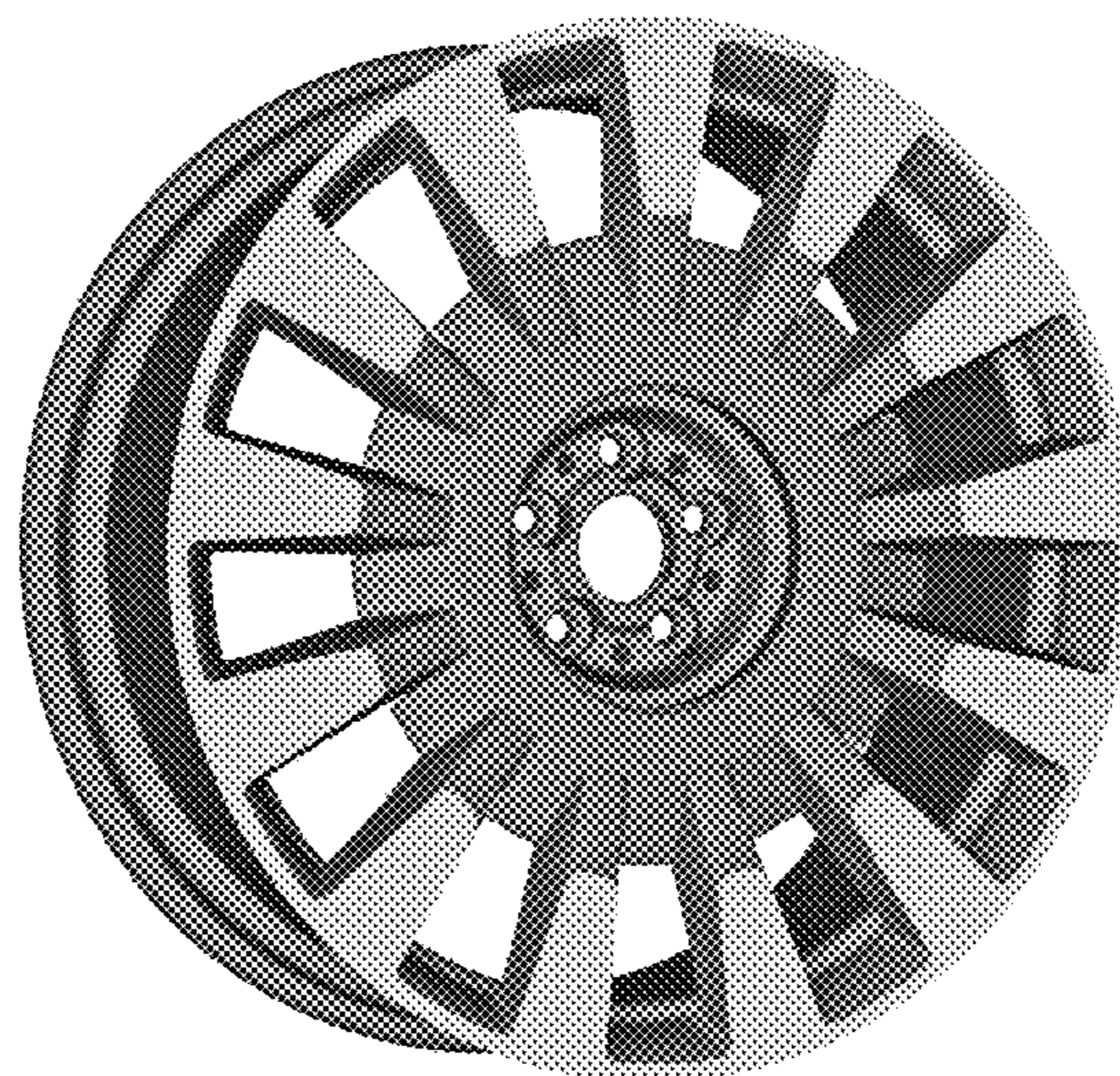
(57) **CLAIM**

The ornamental design for a vehicle wheel, as shown and described.

DESCRIPTION

FIG. 1 is a perspective view of a vehicle wheel according to the design;
FIG. 2 is an additional perspective view thereof;
FIG. 3 is an additional perspective view thereof;
FIG. 4 is a front view thereof;
FIG. 5 is a rear view thereof in a lighter gray scale, representing environmental features that form no part of the claimed design; and,
FIG. 6 is a side view thereof.

1 Claim, 6 Drawing Sheets



(56)

References Cited

U.S. PATENT DOCUMENTS

D802,511 S * 11/2017 Gallert D12/211

FOREIGN PATENT DOCUMENTS

EM	002120279-000	9/2013
EM	002449397-000	4/2016
WO	WO DM/061823	12/2002

* cited by examiner



Fig. 1



Fig. 2



Fig. 3

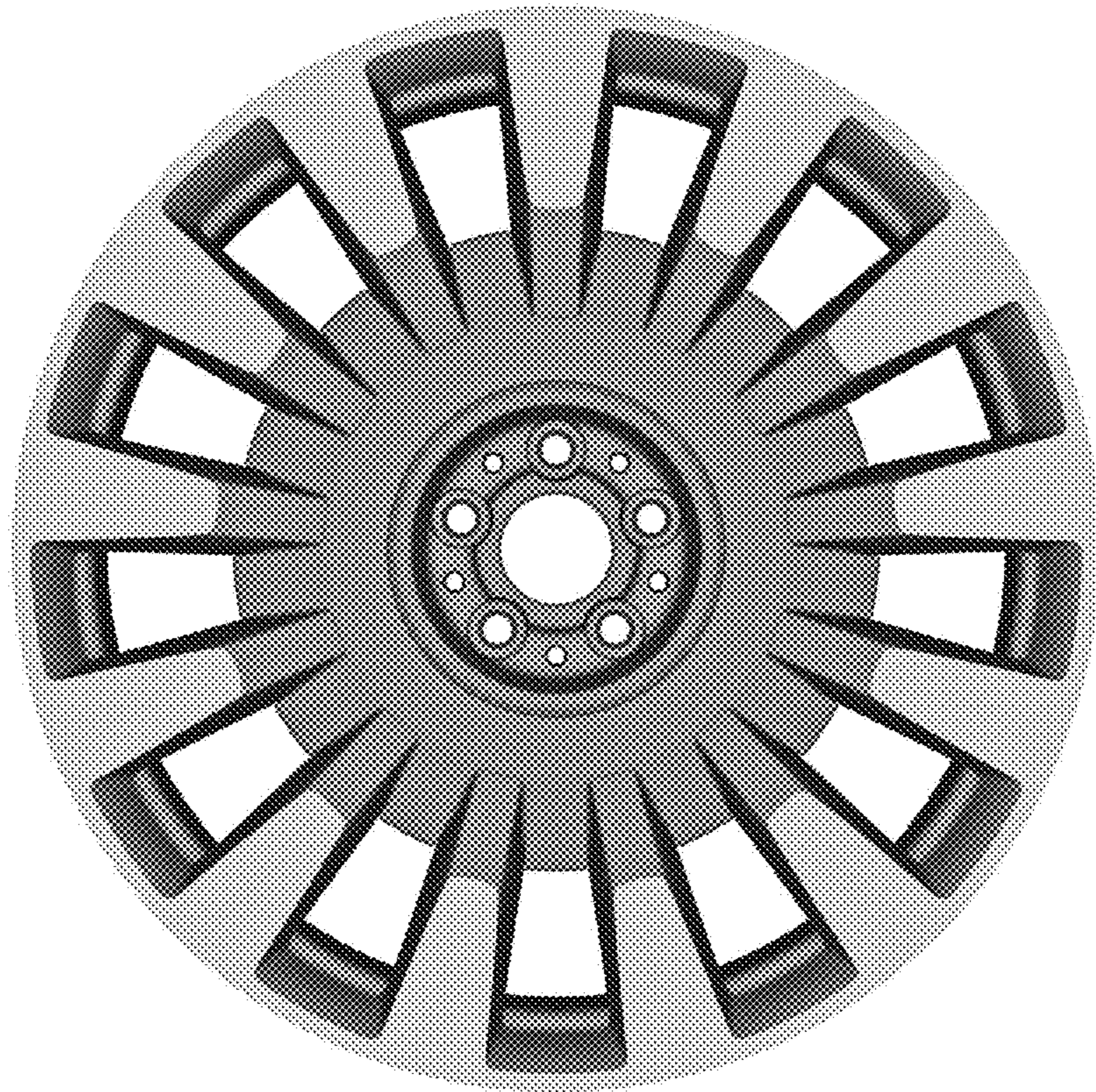


Fig. 4

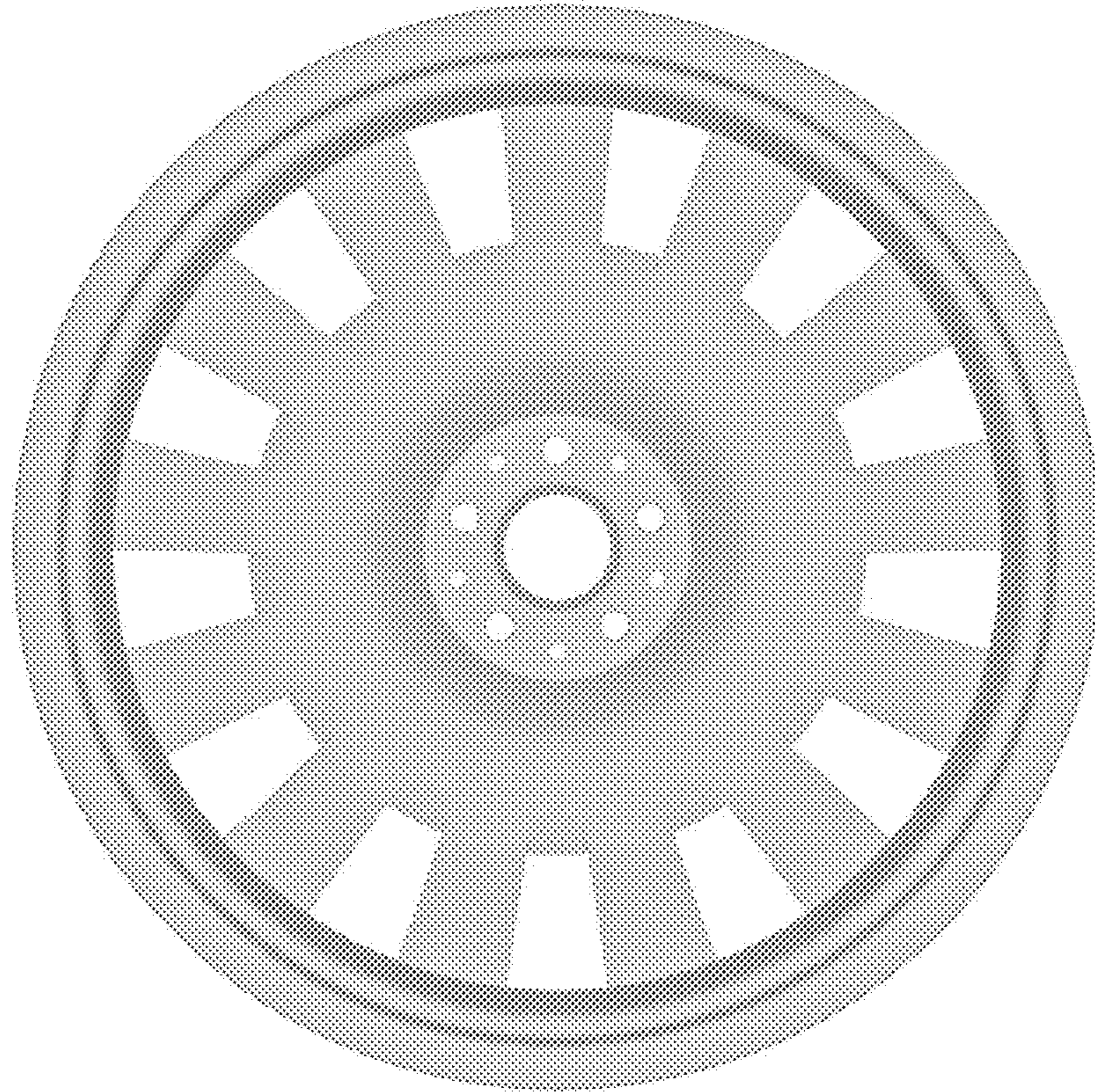


Fig. 5

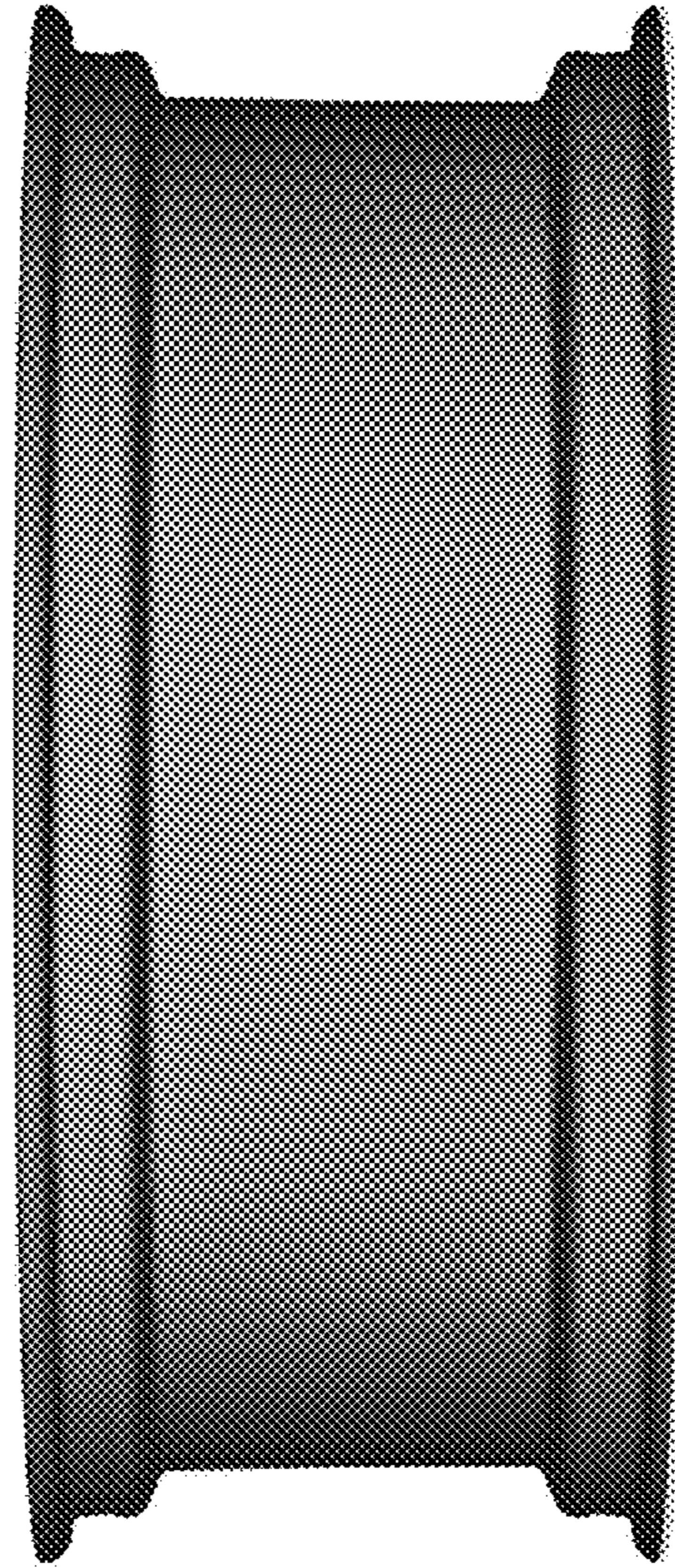


Fig. 6