



US00D820183S

(12) **United States Design Patent** (10) **Patent No.:** **US D820,183 S**  
**Gueler et al.** (45) **Date of Patent:** **\*\* Jun. 12, 2018**

(54) **VEHICLE LIFTGATE**

(71) Applicant: **Ford Global Technologies, LLC**,  
Dearborn, MI (US)

(72) Inventors: **Murat Gueler**, Cologne (DE); **Thomas Morel**, Dusseldorf (DE); **Jonathan Szczupak**, Troy, MI (US); **George Saridakis**, Edinburgh (GB); **Joel Piaskowski**, Dusseldorf (DE)

(73) Assignee: **Ford Global Technologies, LLC**,  
Dearborn, MI (US)

(\*\*) Term: **15 Years**

(21) Appl. No.: **29/604,361**

(22) Filed: **May 17, 2017**

(30) **Foreign Application Priority Data**

Nov. 22, 2016 (DE) ..... 40 2016 101 401

(51) **LOC (11) Cl.** ..... **12-16**

(52) **U.S. Cl.**  
USPC ..... **D12/196**

(58) **Field of Classification Search**

USPC ..... D12/86, 88, 90, 91, 92, 164, 181, 196,  
D12/400; 296/181.1, 181.5; 293/102,  
293/117, 120

CPC ..... B62D 25/00; B62D 25/08; B62D 24/00;  
B62D 35/00; B62D 25/02; B60J 5/04;  
B60R 19/02; B60R 19/04

See application file for complete search history.

(56) **References Cited**

**U.S. PATENT DOCUMENTS**

D651,953 S 1/2012 George  
D725,566 S \* 3/2015 Rugar ..... D12/196

D763,758 S \* 8/2016 Luk ..... D12/196  
D764,995 S \* 8/2016 Bucher ..... D12/196  
D766,795 S \* 9/2016 Kim ..... D12/196  
D781,195 S \* 3/2017 Yu ..... D12/196  
D783,482 S \* 4/2017 Smith ..... D12/196  
D784,231 S \* 4/2017 Henstridge ..... D12/196  
D789,267 S \* 6/2017 Kim ..... D12/196  
D797,632 S \* 9/2017 Zipfel ..... D12/196  
D798,784 S \* 10/2017 Kim ..... D12/196  
D801,900 S \* 11/2017 Kim ..... D12/196  
D803,123 S \* 11/2017 Granlund ..... D12/196  
D803,746 S \* 11/2017 Han ..... D12/196  
D805,985 S \* 12/2017 Nakamura ..... D12/196

\* cited by examiner

*Primary Examiner* — Ian Simmons

*Assistant Examiner* — Yolanda Robinson

(74) *Attorney, Agent, or Firm* — James Dottavio

(57) **CLAIM**

The ornamental design for a vehicle liftgate, as shown and described.

**DESCRIPTION**

FIG. 1 is a top, front and left perspective view of a vehicle liftgate showing our new design;  
FIG. 2 is a bottom, front and left perspective view thereof;  
FIG. 3 is a top, rear and left perspective view thereof;  
FIG. 4 is a front elevational view thereof;  
FIG. 5 is a rear elevational view thereof;  
FIG. 6 is a left side elevational view thereof;  
FIG. 7 is a right side elevational view thereof;  
FIG. 8 is a top plan view thereof; and,  
FIG. 9 is a bottom plan view thereof.

**1 Claim, 9 Drawing Sheets**

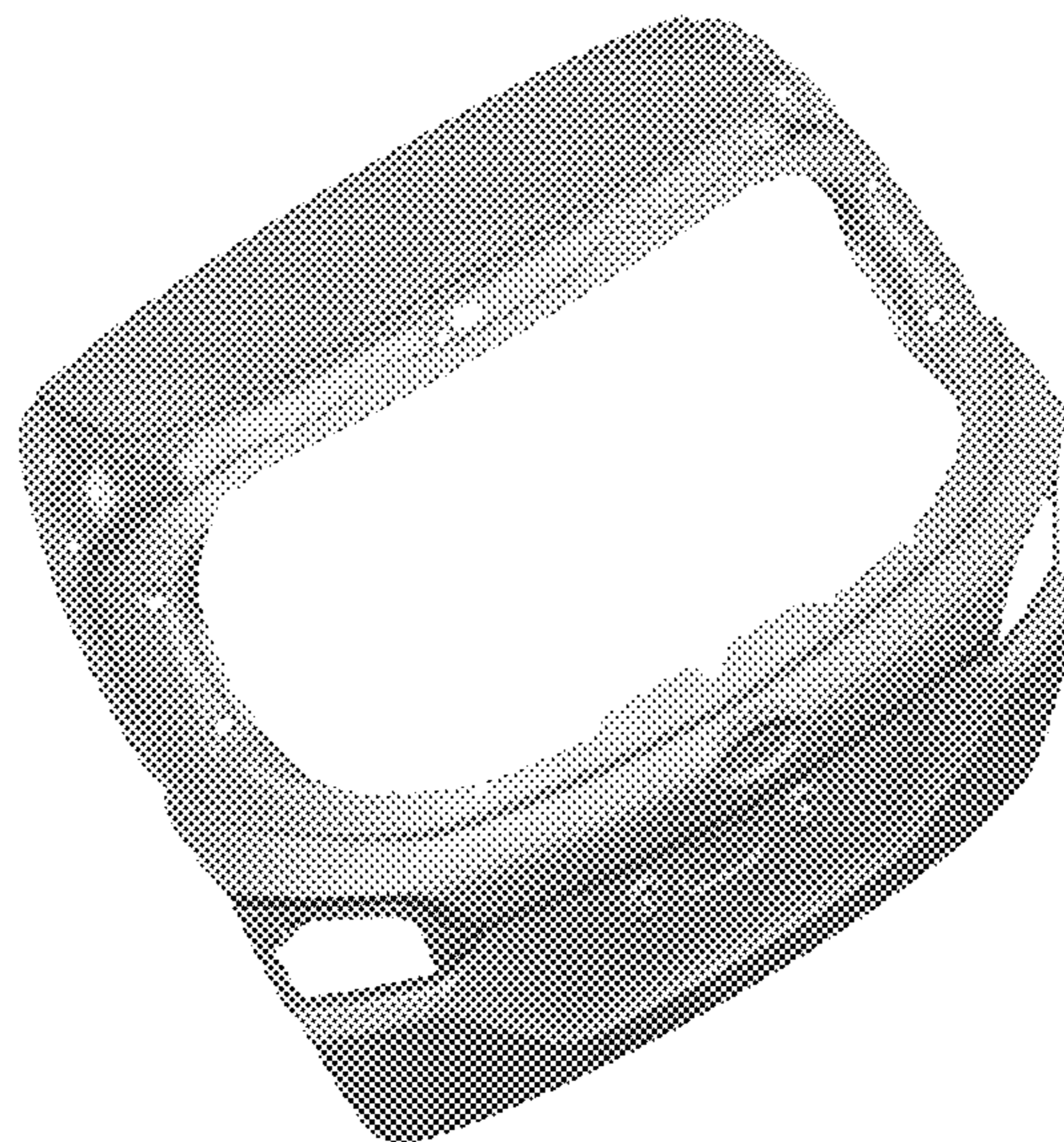




Figure 1

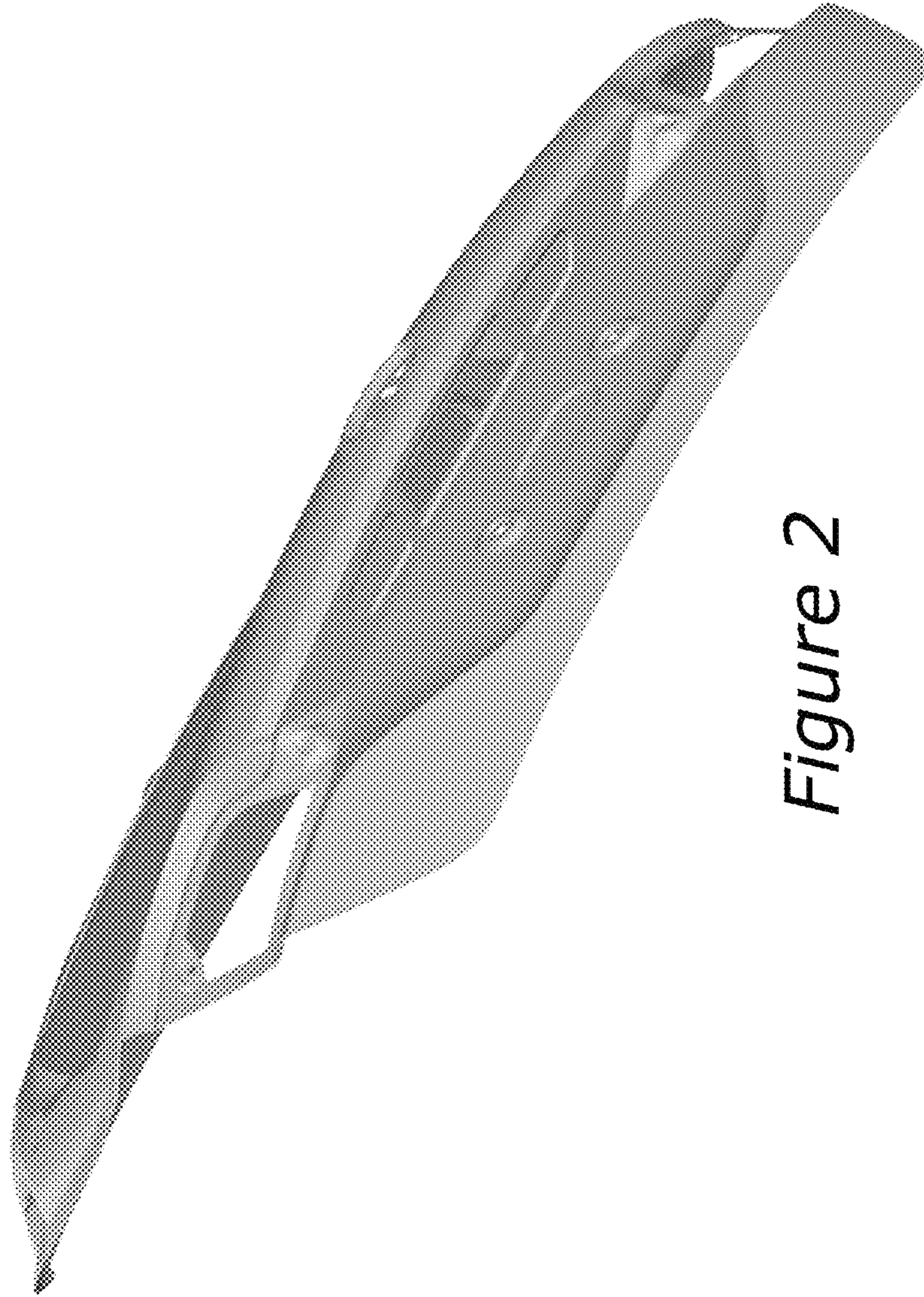


Figure 2

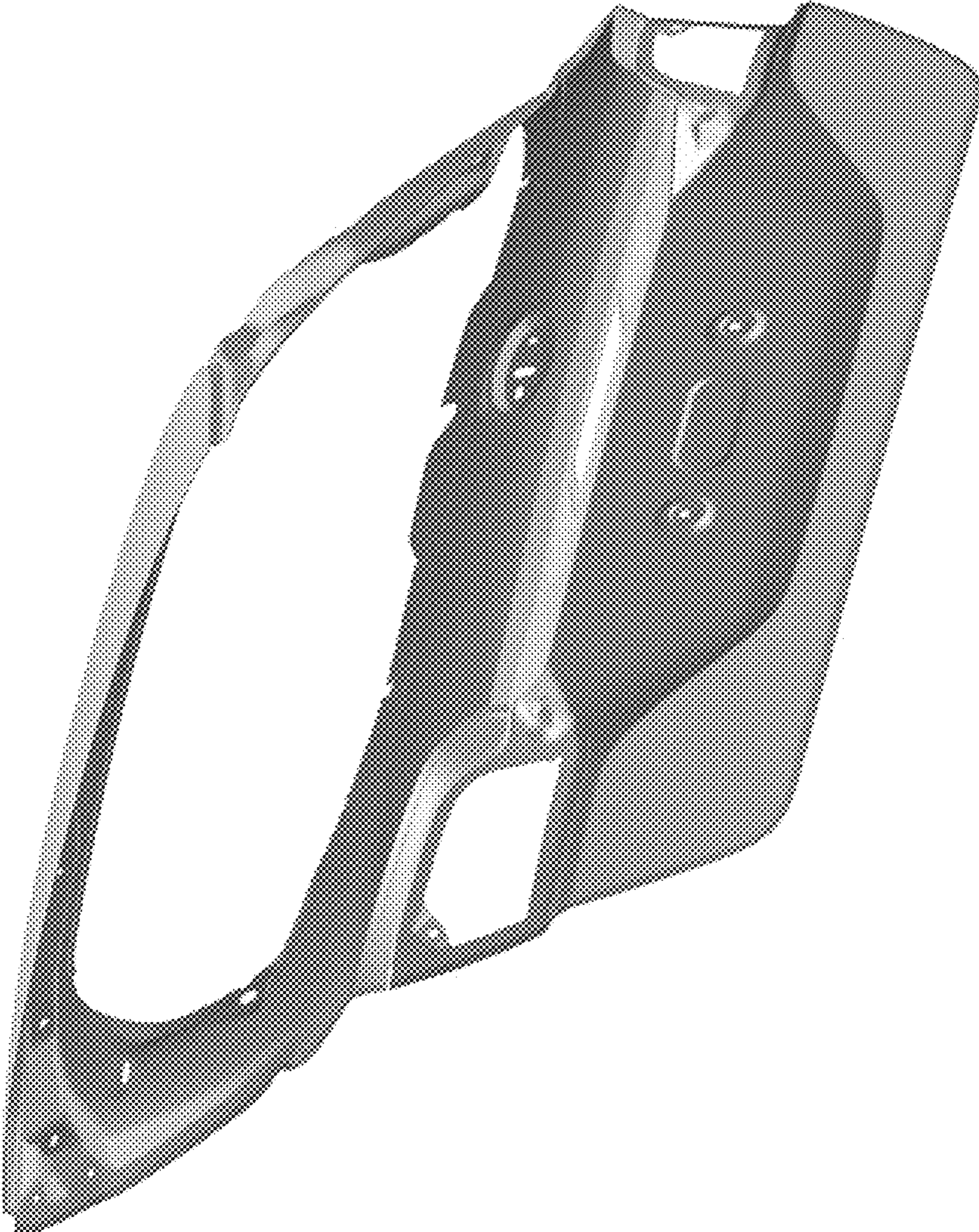


Figure 3



Figure 4



Figure 5

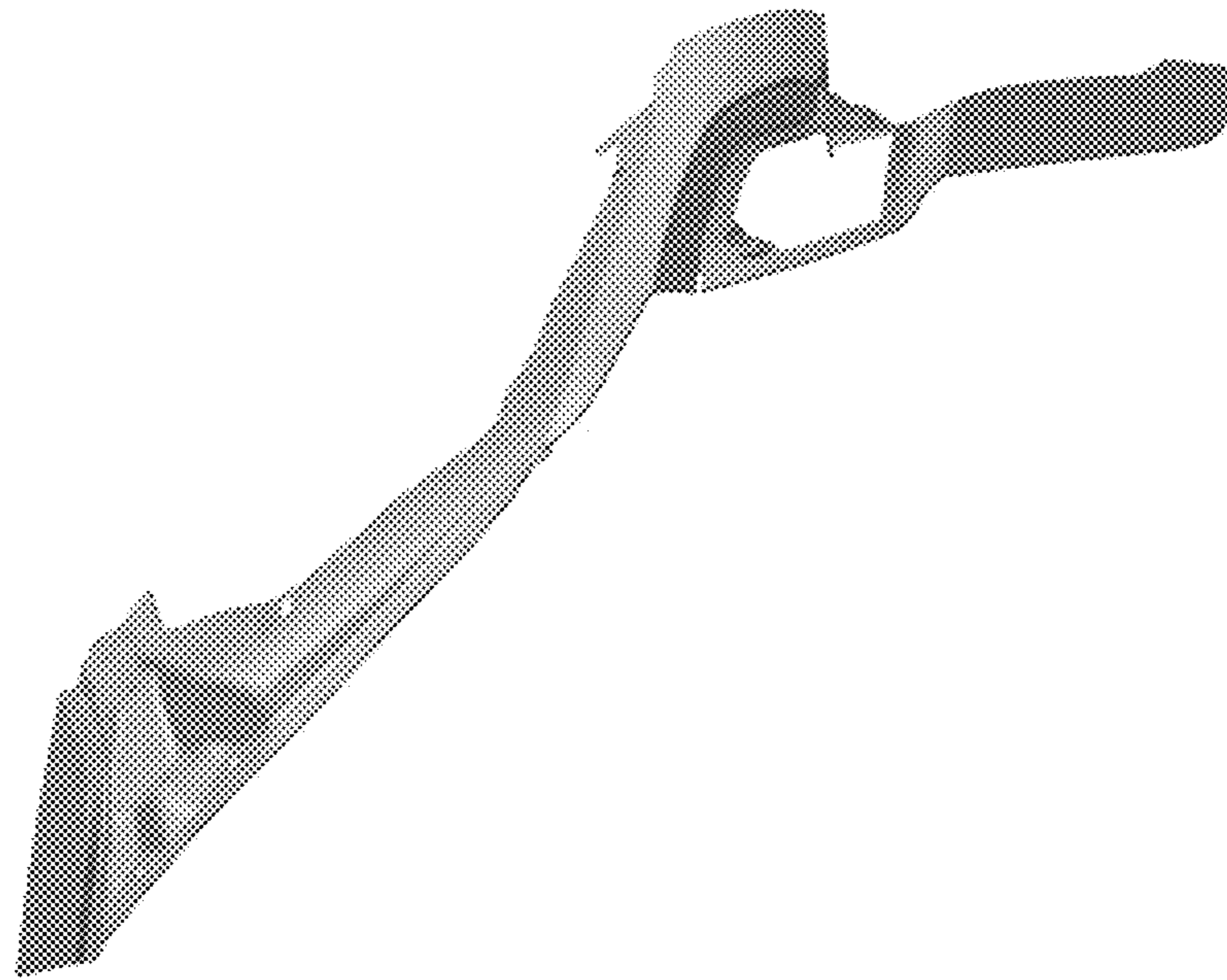


Figure 6

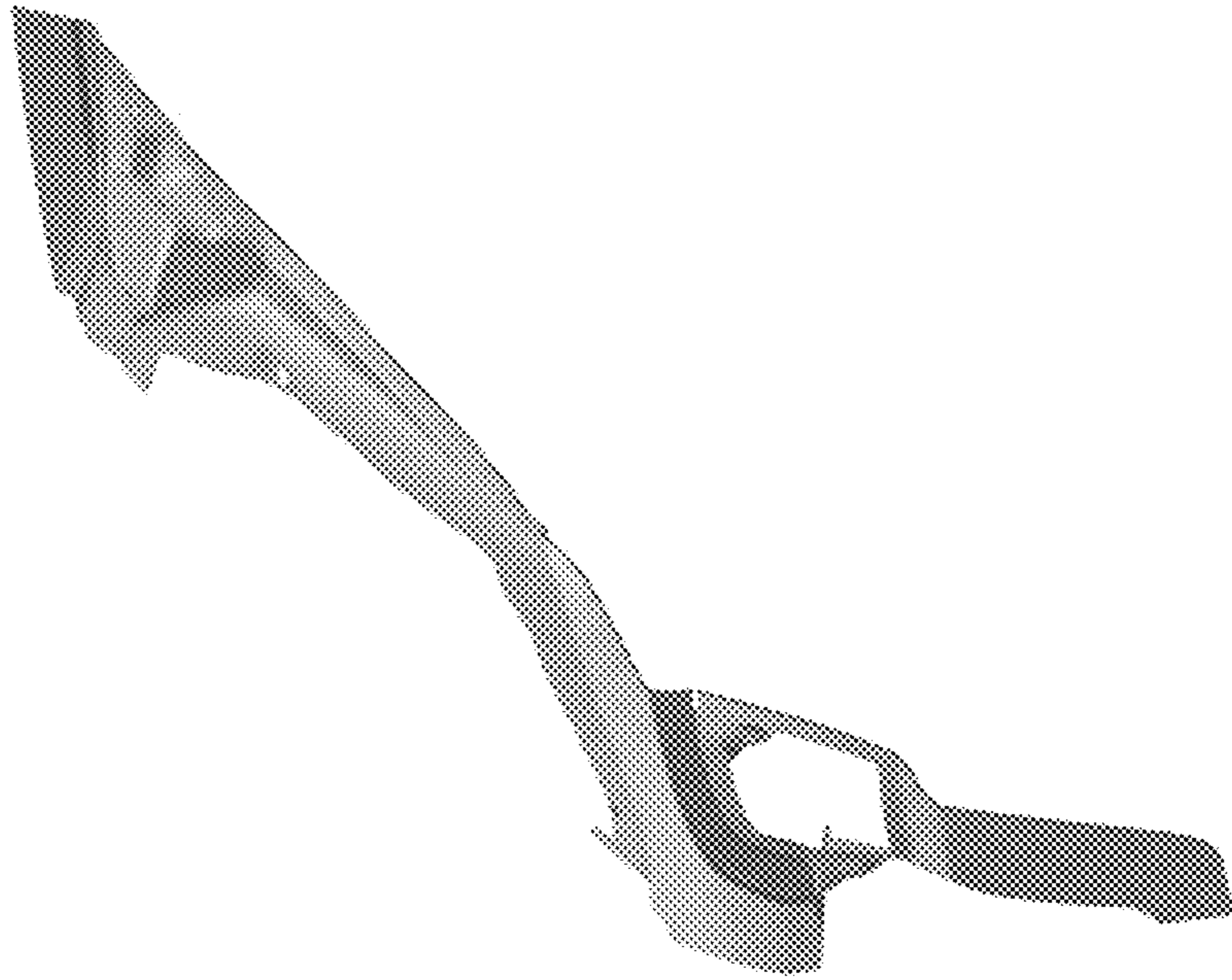


Figure 7



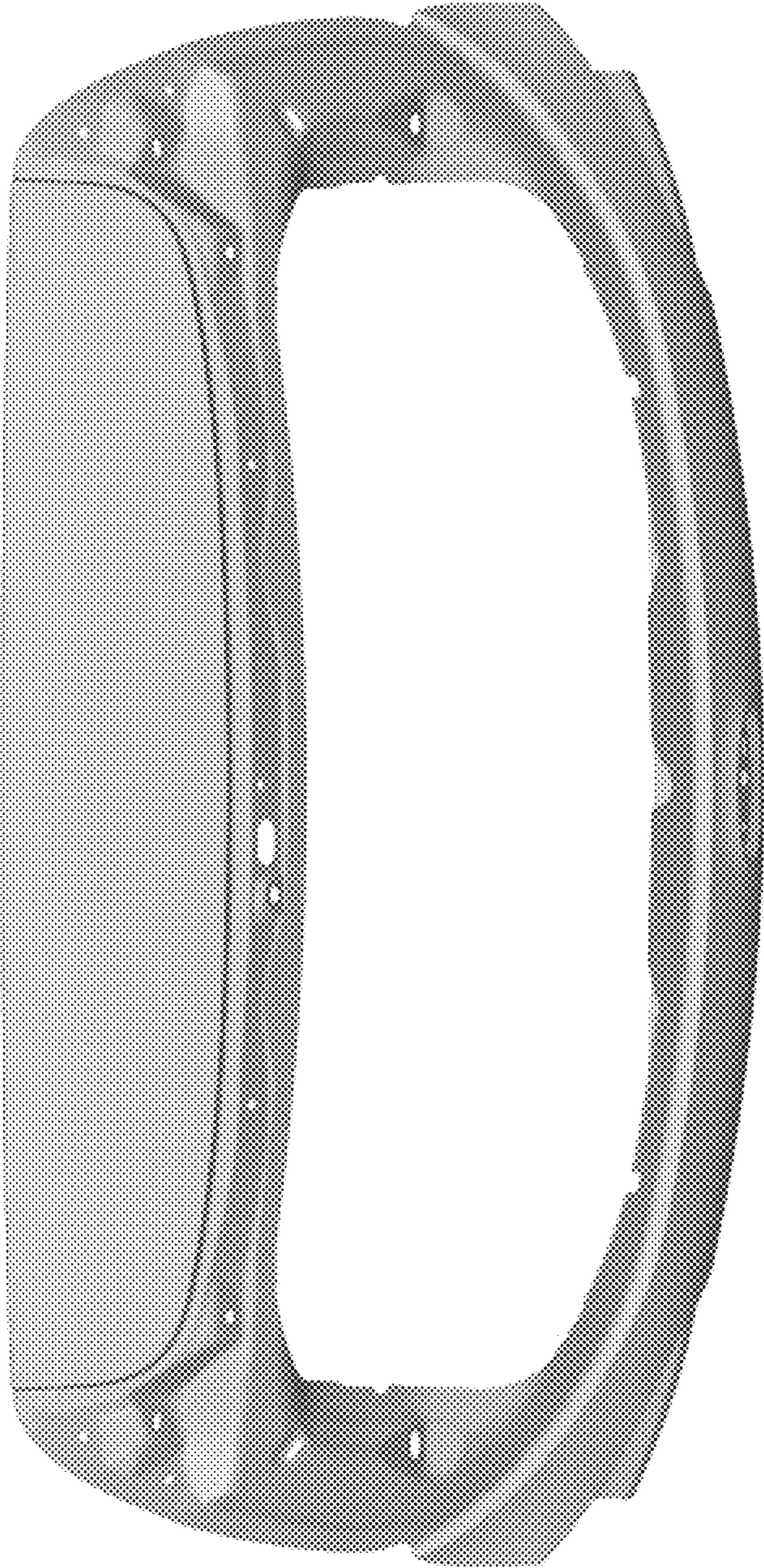


Figure 8

Figure 9

