



US00D820180S

(12) **United States Design Patent**  
**Vaughan**

(10) **Patent No.:** **US D820,180 S**  
(45) **Date of Patent:** **\*\* Jun. 12, 2018**

(54) **TRUCK BED STIFFENER**

(71) Applicant: **Matt Vaughan**, Corona, CA (US)

(72) Inventor: **Matt Vaughan**, Corona, CA (US)

(\*\*) Term: **15 Years**

(21) Appl. No.: **29/582,075**

(22) Filed: **Oct. 25, 2016**

(51) **LOC (11) Cl.** ..... **12-08**

(52) **U.S. Cl.**  
USPC ..... **D12/190**

(58) **Field of Classification Search**

USPC .... D12/190, 192, 400, 90, 91, 92, 199, 197,  
D12/86, 171, 169, 163, 110, 114

CPC ..... B60R 13/043; B60R 2013/0293; B60R  
13/02; B60R 13/04; B62D 33/02

See application file for complete search history.

(56) **References Cited**

**U.S. PATENT DOCUMENTS**

4,565,402	A *	1/1986	Hopkins	.....	B62D 33/0207 211/182
4,867,497	A *	9/1989	Jayne	.....	B60P 7/0815 224/405
D332,072	S *	12/1992	Shirlin	.....	D12/190
5,443,190	A *	8/1995	Cucheran	.....	B60R 9/00 224/309
5,836,635	A *	11/1998	Dorman	.....	B60P 3/40 224/405
8,286,996	B2 *	10/2012	Grant	.....	B60R 21/026 280/748
8,668,125	B2 *	3/2014	Williams	.....	B60R 9/06 224/402
2011/0298245	A1 *	12/2011	Jarocki	.....	B62D 21/03 296/193.07

\* cited by examiner

*Primary Examiner* — Katrina A Betton

(74) *Attorney, Agent, or Firm* — Allan Grant; Grant's Law Firm

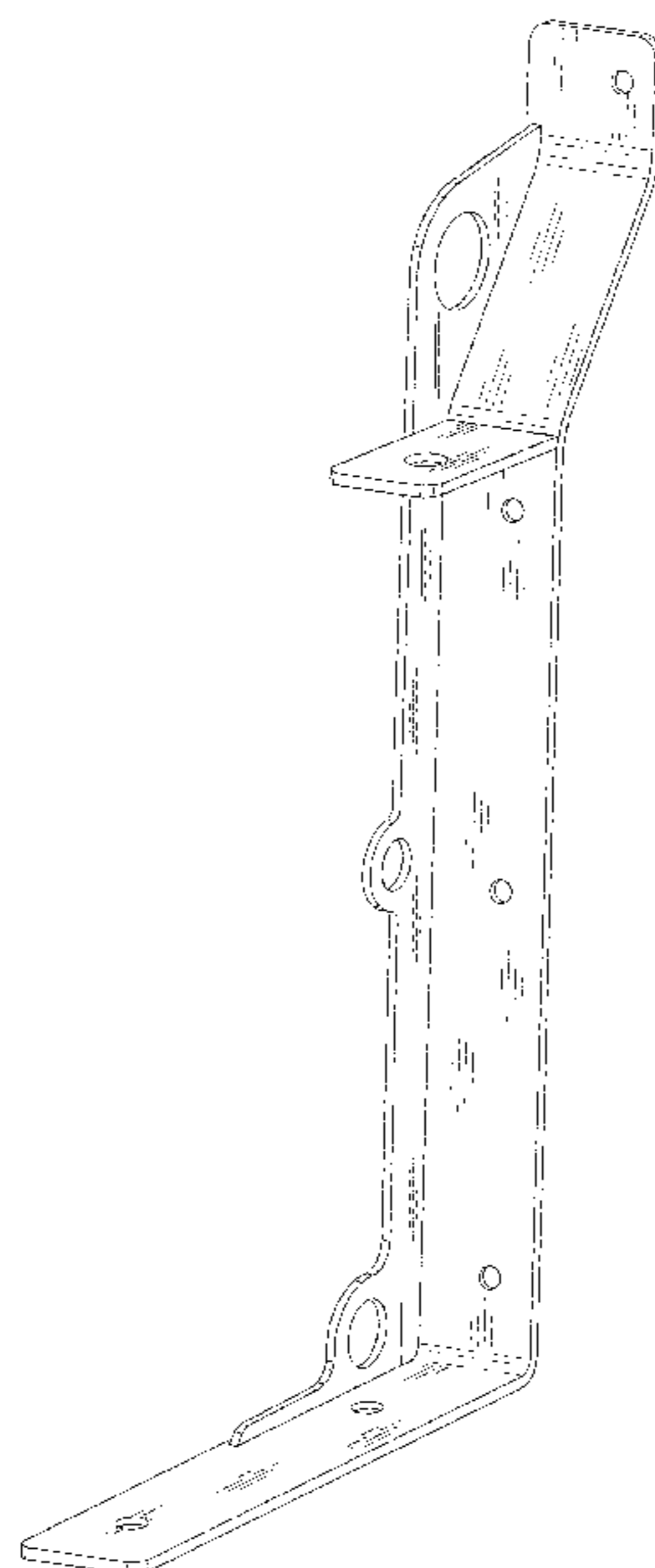
(57) **CLAIM**

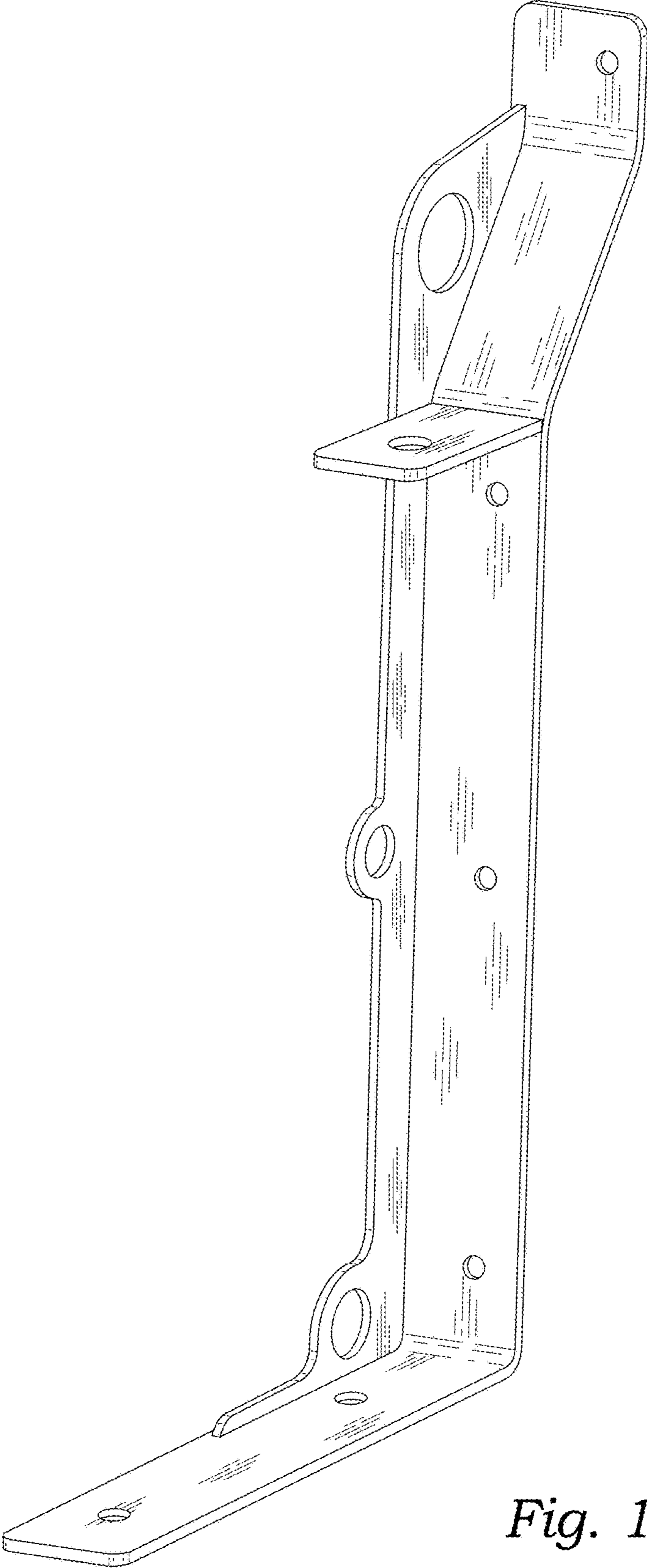
I claim the ornamental design for a truck bed stiffener, as shown and as described.

**DESCRIPTION**

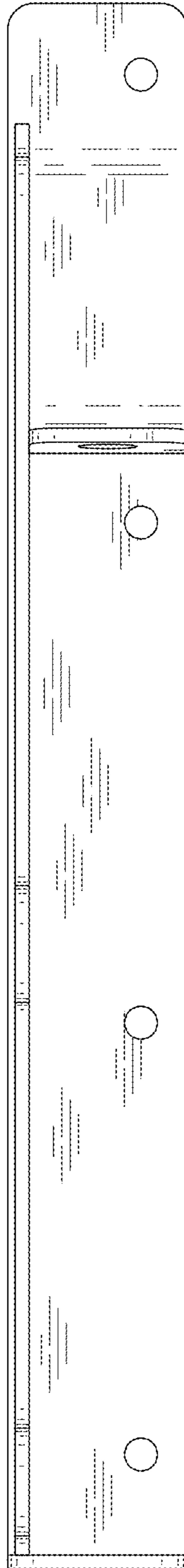
FIG. 1 is a perspective view of the truck bed stiffener.  
 FIG. 2 is the front view of the truck bed stiffener.  
 FIG. 3 is a back view of the truck bed stiffener.  
 FIG. 4 is a side view of the truck bed stiffener.  
 FIG. 5 is the other side view of the truck bed stiffener.  
 FIG. 6 is a top view of the truck bed stiffener.  
 FIG. 7 is bottom view of the truck bed stiffener.  
 FIG. 8 is a perspective view of the truck bed stiffener being used.  
 FIG. 9 is a perspective view of the truck bed stiffener being used with straps to hold down ice chest.  
 FIG. 10 is a perspective view of the truck bed stiffener being used with straps to hold down a bike.  
 FIG. 11 is a perspective view of the truck bed stiffener being used to hold a light; and,  
 FIG. 12 is a perspective view of the truck bed stiffener being used to hold a buggy whip and an antenna.  
 The truck, straps, ice chest, bike, light, buggy whip, and antenna are shown in broken lines are for illustrative purposes only and do not form part of the claimed design.

**1 Claim, 10 Drawing Sheets**

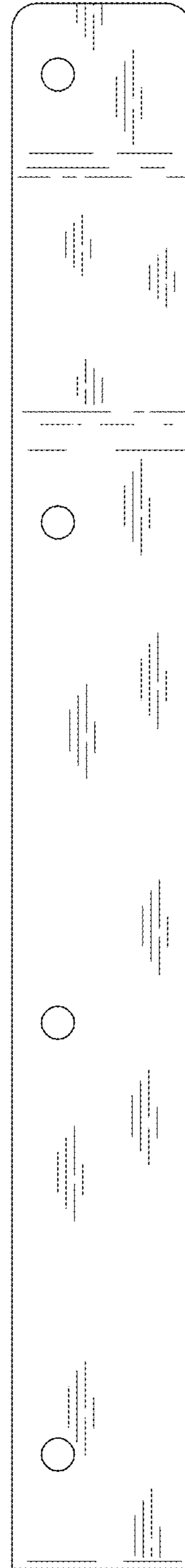




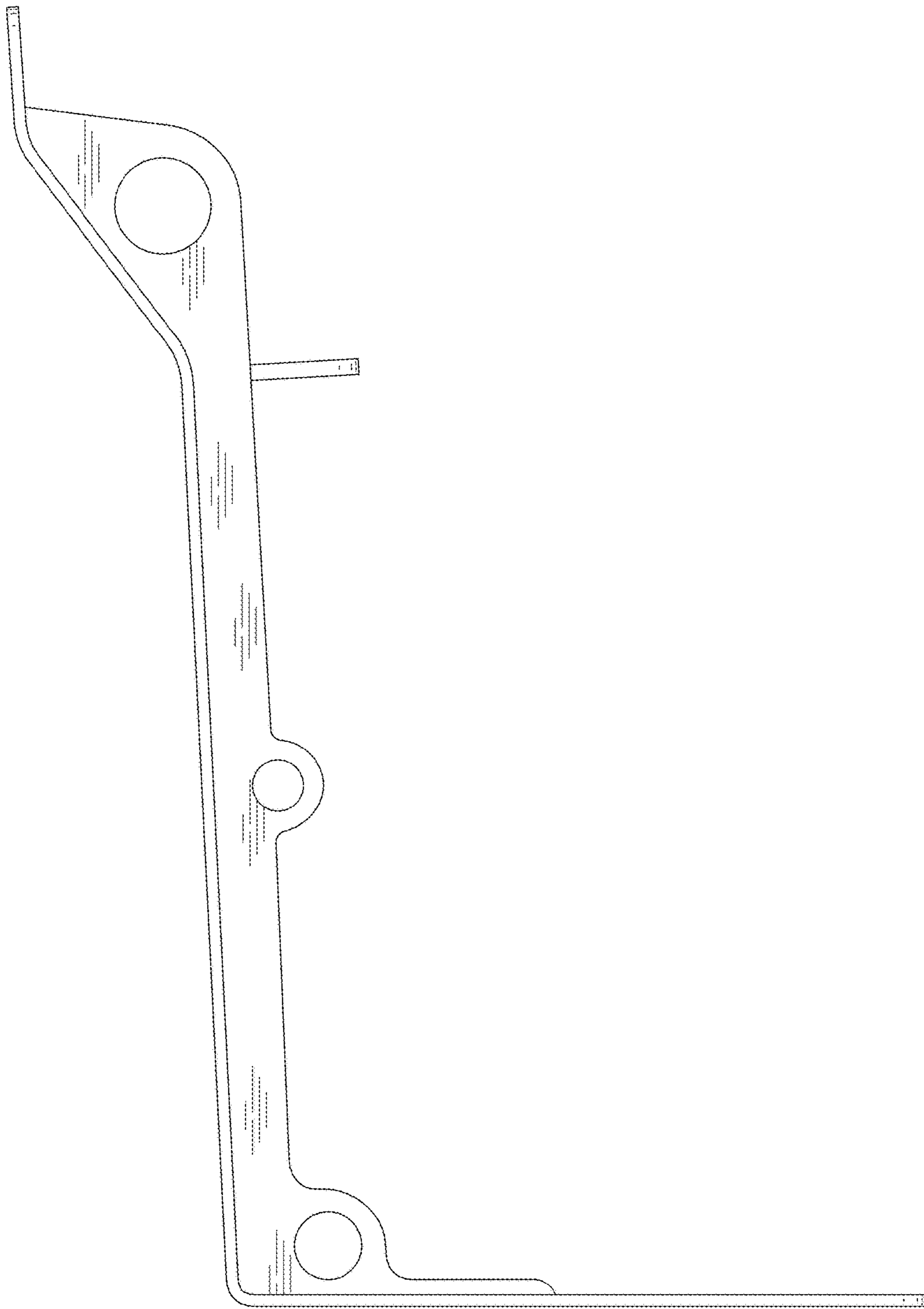
*Fig. 1*



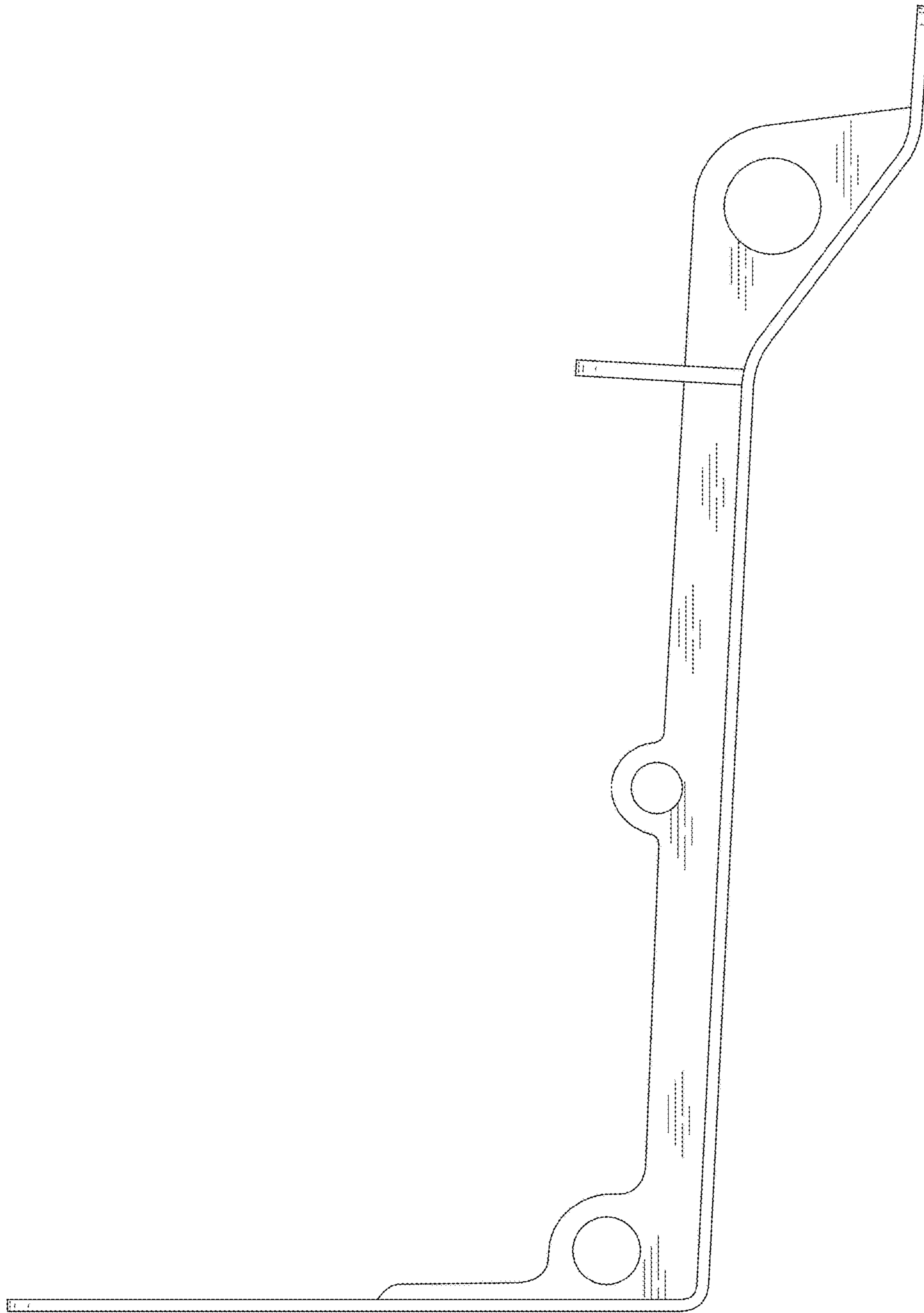
*Fig. 2*



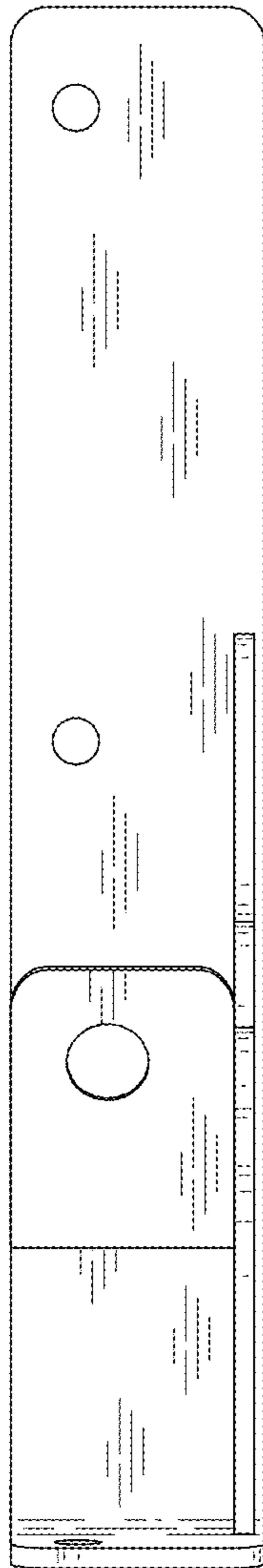
*Fig. 3*



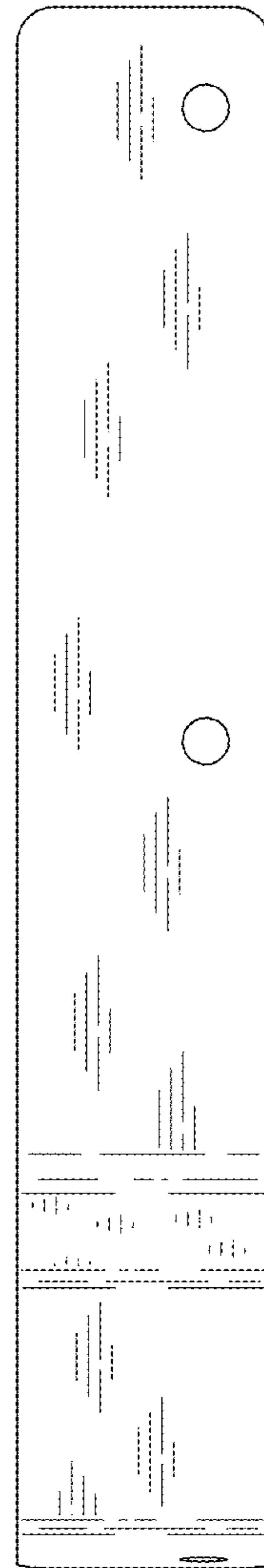
*Fig. 4*



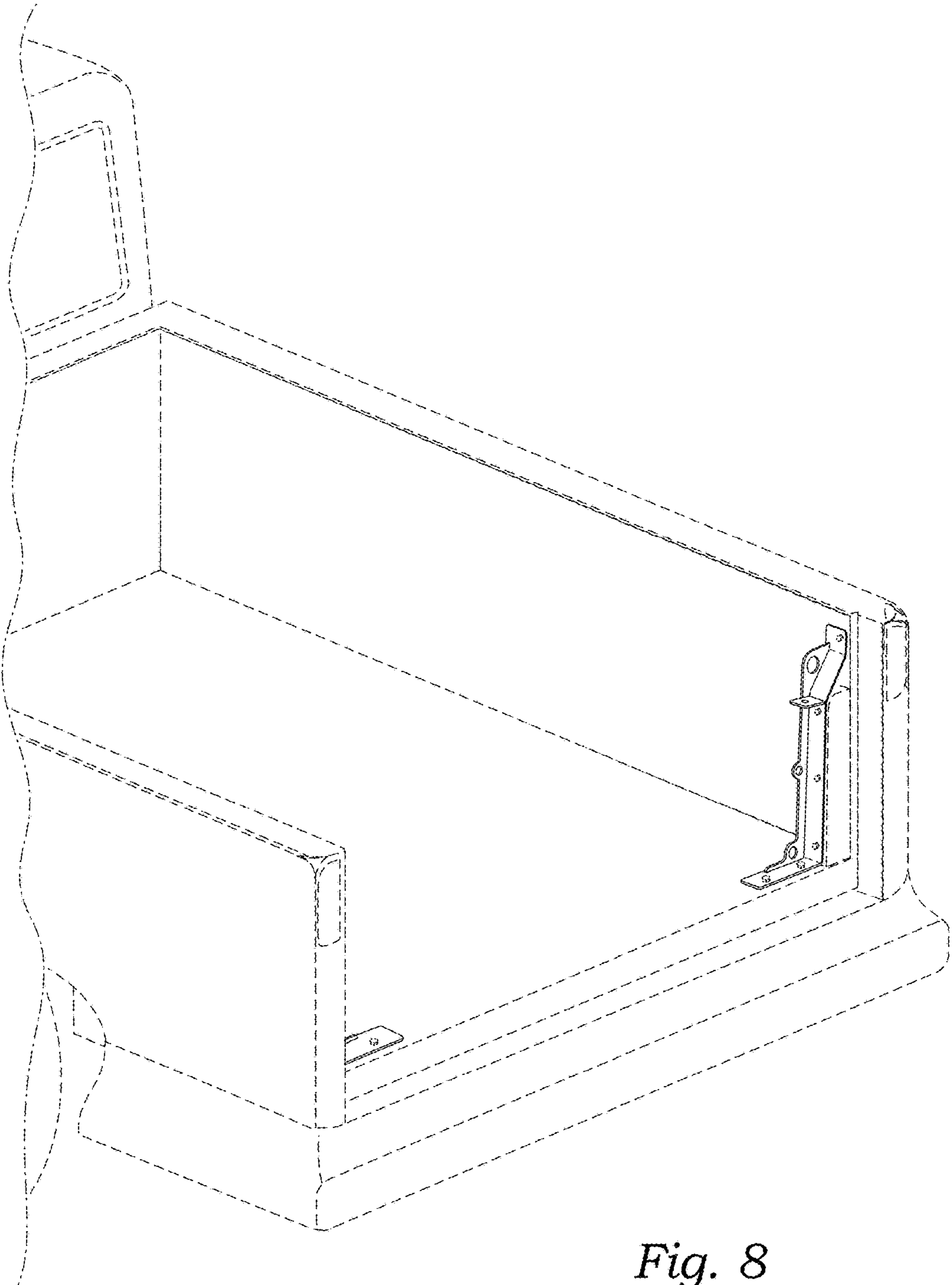
*Fig. 5*



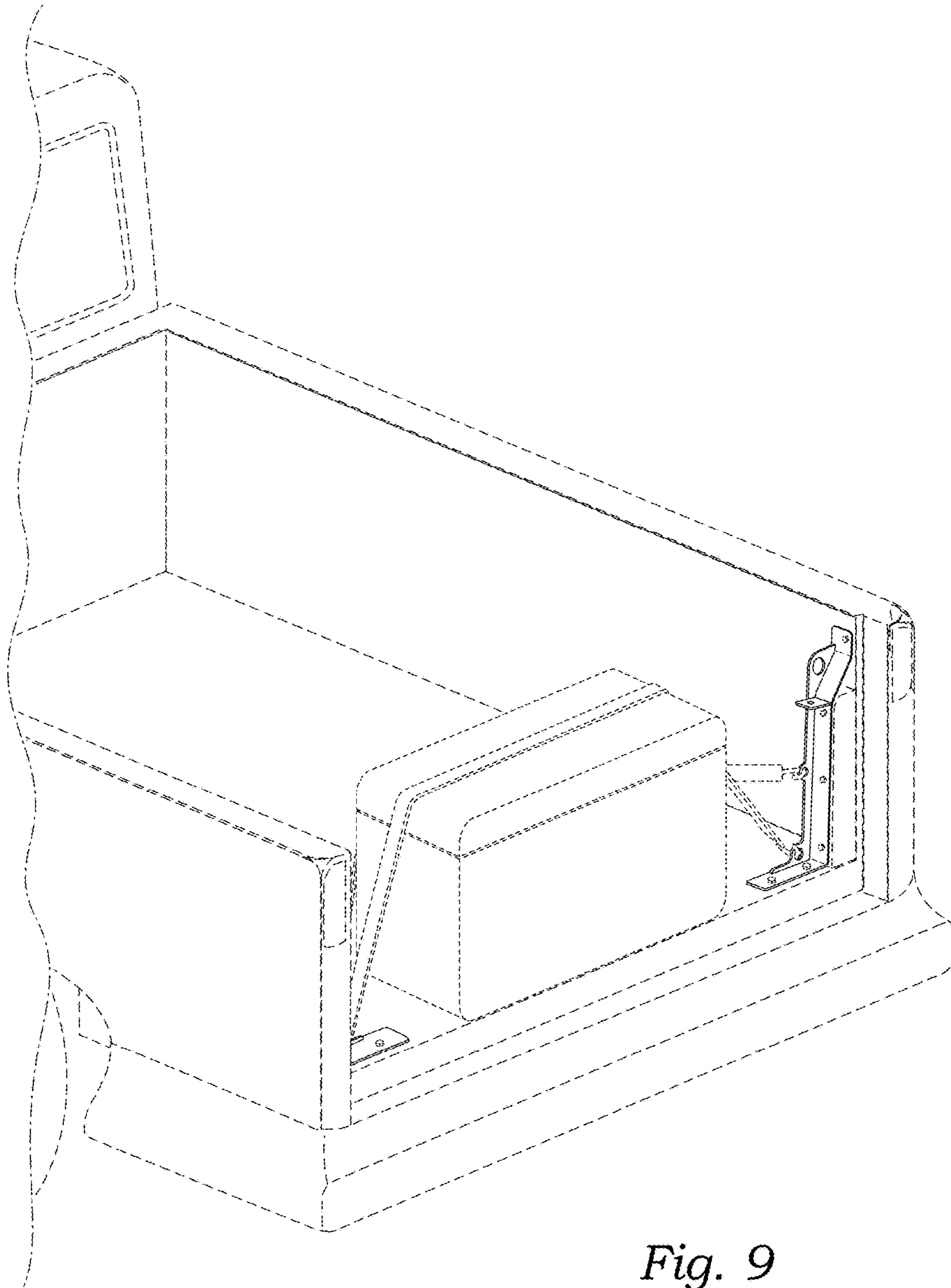
*Fig. 6*



*Fig. 7*

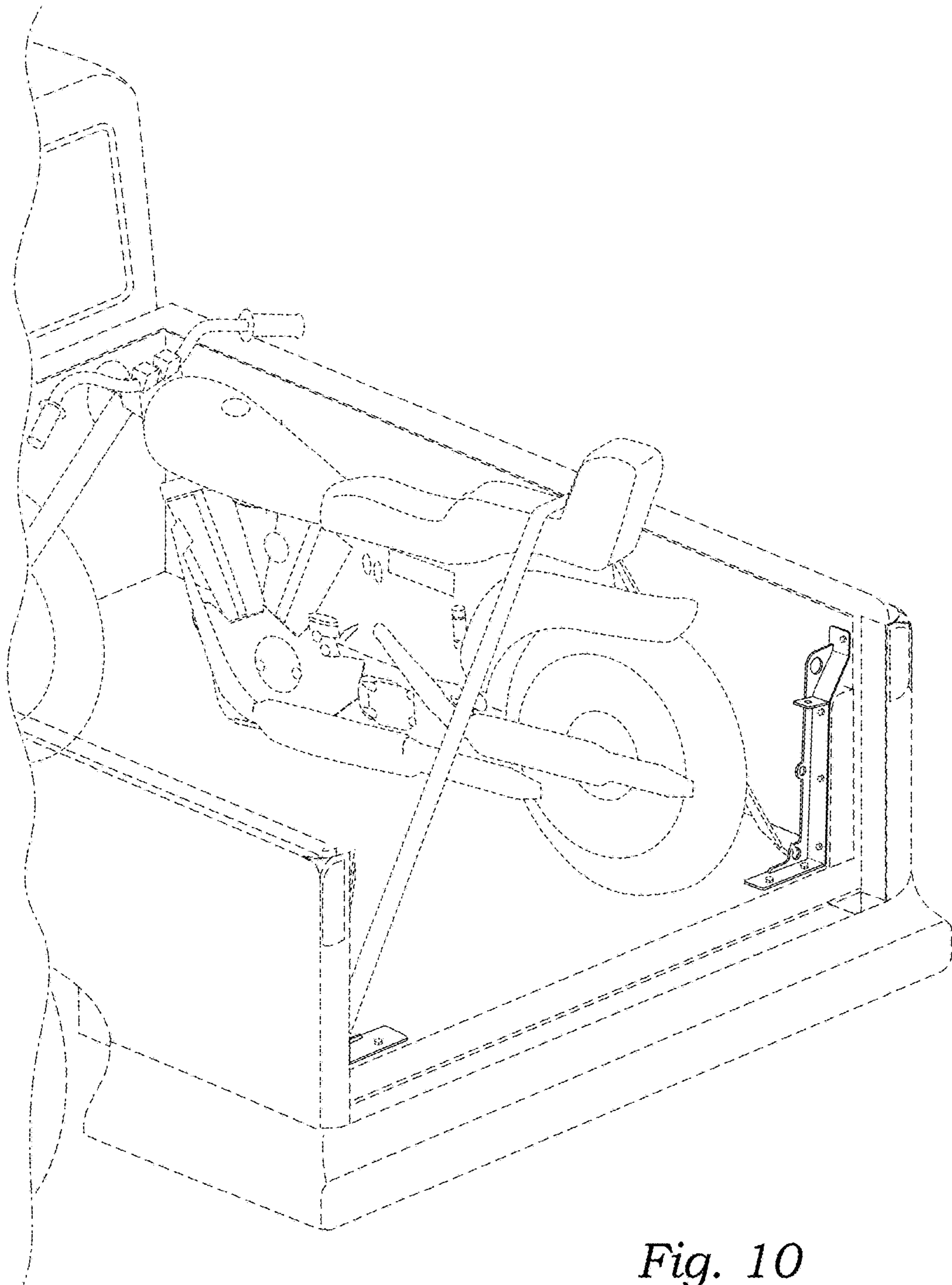


*Fig. 8*

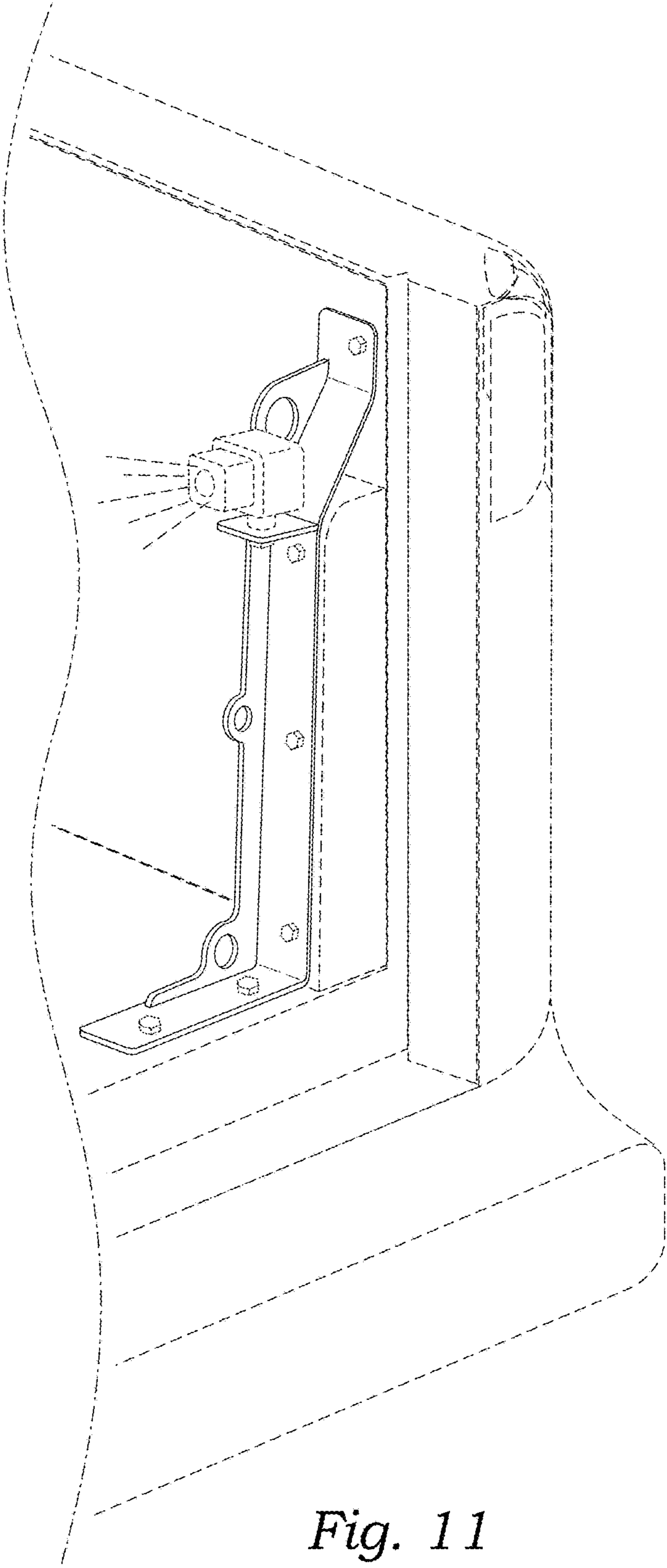


*Fig. 9*

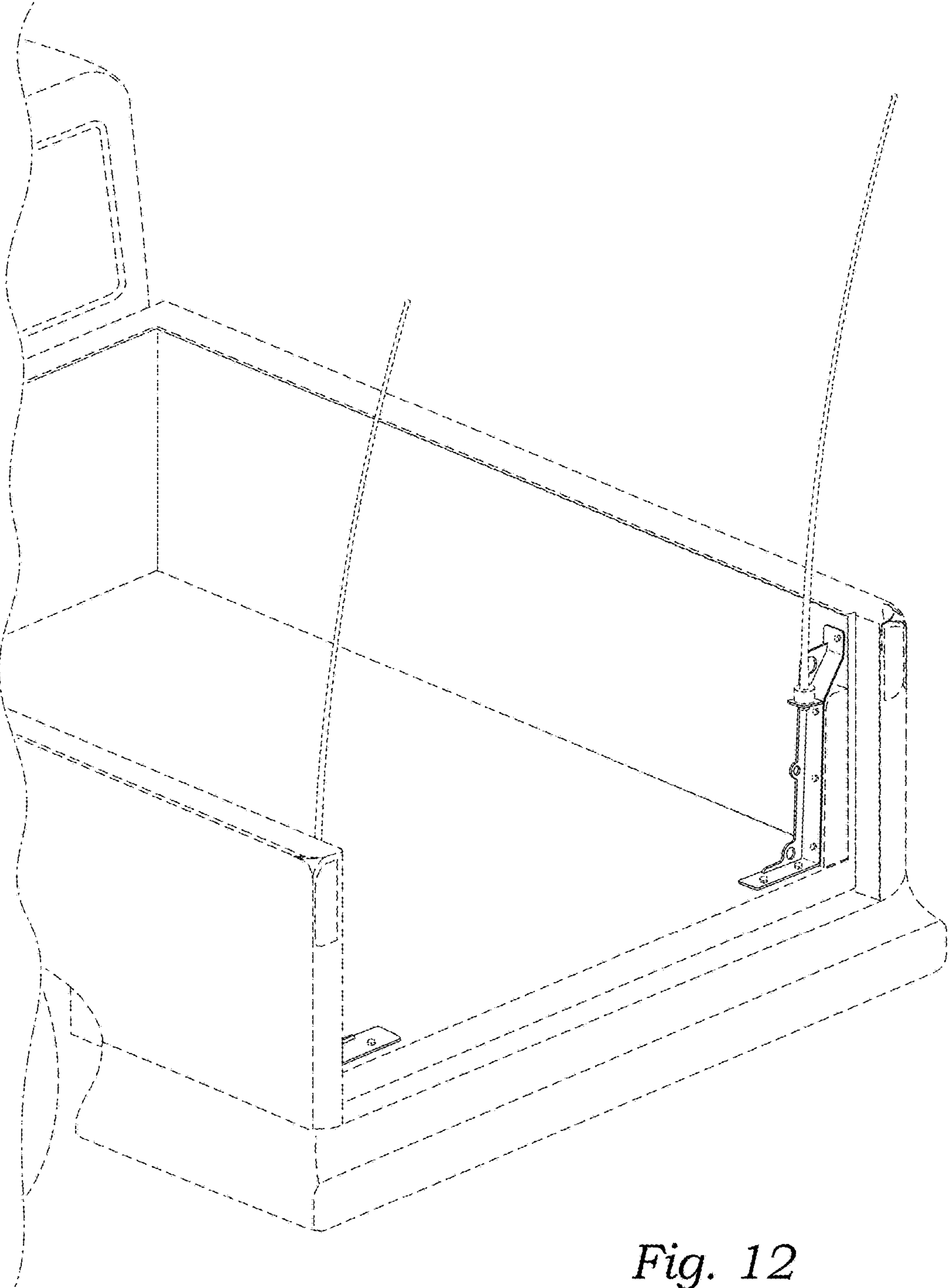




*Fig. 10*



*Fig. 11*



*Fig. 12*