



US00D820178S

(12) **United States Design Patent** (10) **Patent No.:** **US D820,178 S**  
**Kim** (45) **Date of Patent:** **\*\* Jun. 12, 2018**

(54) **AUTOMOTIVE STEERING WHEEL**

D671,464 S 11/2012 Baccus et al.  
D696,992 S 1/2014 Pohanka et al.  
D697,851 S 1/2014 Woo et al.  
D703,594 S 4/2014 Kim et al.  
D704,108 S 5/2014 Frank et al.

(71) Applicant: **SAMSUNG DISPLAY CO., LTD.**,  
Yongin-si, Gyeonggi-do (KR)

(72) Inventor: **Min Soo Kim**, Seoul (KR)

(73) Assignee: **Samsung Display Co., Ltd.**, Yongin-si  
(KR)

(\*\*) Term: **15 Years**

(21) Appl. No.: **29/576,344**

(22) Filed: **Sep. 1, 2016**

(30) **Foreign Application Priority Data**

Mar. 3, 2016 (KR) ..... 30-2016-0009817

(51) **LOC (11) Cl.** ..... **12-16**

(52) **U.S. Cl.**  
USPC ..... **D12/177**

(58) **Field of Classification Search**  
USPC ..... D12/175, 176, 177; D14/401, 414;  
D21/333, 385, 477, 566; 74/552, 558;  
340/475, 476, 477; 434/69, 70, 71;  
70/62

CPC .... B60Q 1/1461; B60K 37/06; B60R 16/037;  
B62D 1/16; B62D 1/04

See application file for complete search history.

(56) **References Cited**

**U.S. PATENT DOCUMENTS**

D434,086 S \* 11/2000 Ford ..... D21/328  
D480,668 S \* 10/2003 Ohm ..... D12/176  
D587,176 S \* 2/2009 Yang ..... D12/176  
D602,096 S \* 10/2009 Ashida ..... D14/414  
D630,983 S 1/2011 Frank et al.  
D636,711 S \* 4/2011 Anzi ..... D12/176  
D644,580 S \* 9/2011 Markowitz ..... D12/176  
D647,441 S \* 10/2011 Anzi ..... D12/176  
D649,095 S 11/2011 Frank et al.  
D663,244 S \* 7/2012 Won ..... D12/176

**FOREIGN PATENT DOCUMENTS**

JP D1490386 S 1/2014  
JP D1490598 S 1/2014

**OTHER PUBLICATIONS**

U.S. Notice of Allowance dated May 22, 2017, issued in cross-reference U.S. Appl. No. 29/576,346 (9 pages).

(Continued)

*Primary Examiner* — Ian Simmons

*Assistant Examiner* — Yolanda Robinson

(74) *Attorney, Agent, or Firm* — Lewis Roca Rothgerber  
Christie LLP

(57) **CLAIM**

The ornamental design for automotive steering wheel, as shown and described.

**DESCRIPTION**

FIG. 1 is a perspective view of an automotive steering wheel;

FIG. 2 is a front view thereof;

FIG. 3 is a rear view thereof;

FIG. 4 is a left side view thereof;

FIG. 5 is a right side view thereof;

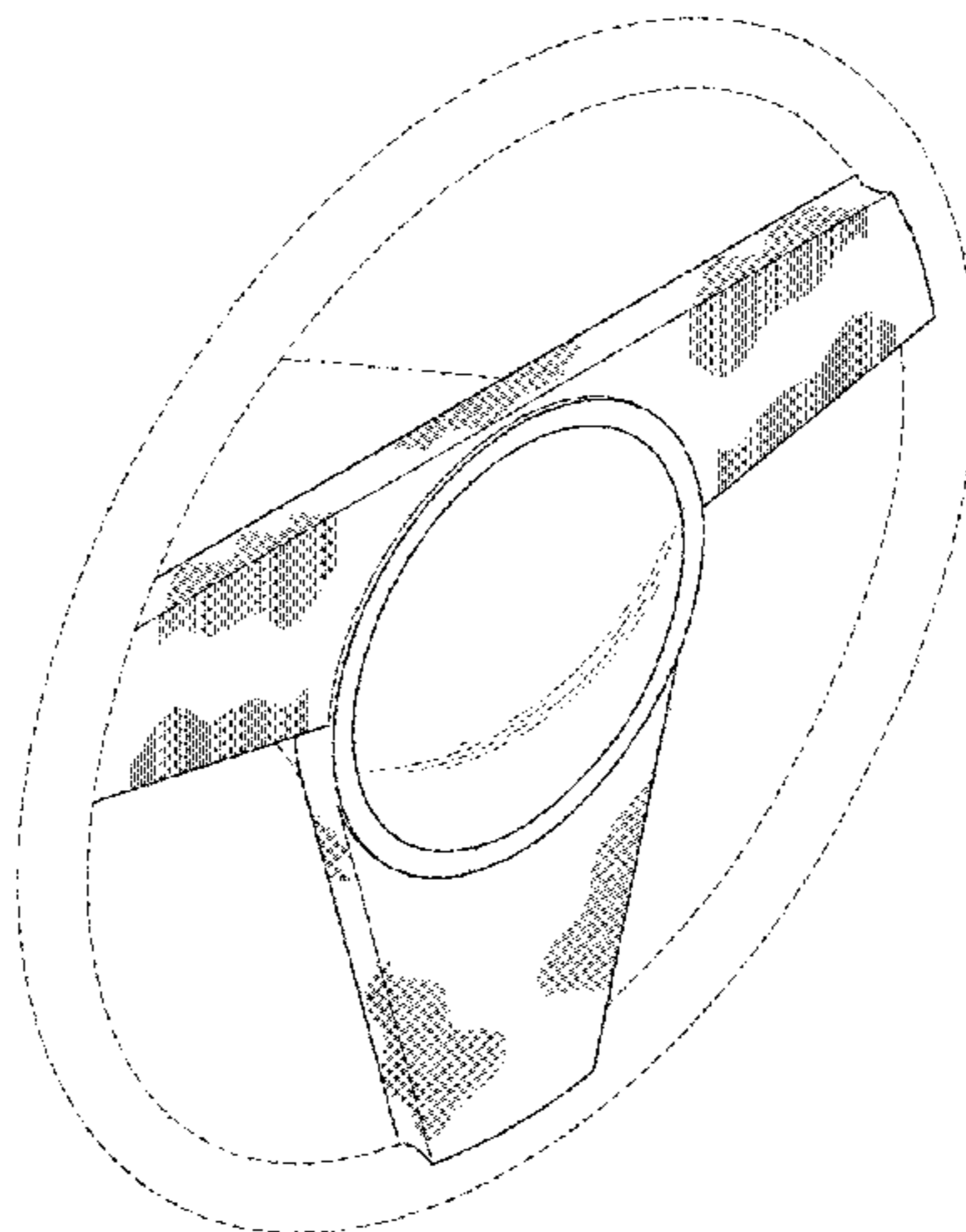
FIG. 6 is a top view thereof;

FIG. 7 is a bottom view thereof; and,

FIG. 8 is a perspective view thereof.

The broken lines shown in the drawings illustrate portions of the automotive steering wheel that form no part of the claimed design.

**1 Claim, 8 Drawing Sheets**



(56)

**References Cited**

U.S. PATENT DOCUMENTS

D716,203	S	10/2014	Nakai	
D723,448	S	3/2015	Woo et al.	
D741,759	S	10/2015	Persson et al.	
D743,858	S	11/2015	Sugiura	
D743,860	S	11/2015	Nagumo	
D758,932	S	6/2016	Schowalter	
D758,933	S	6/2016	Owaku	
D760,134	S	6/2016	Montousse et al.	
D768,520	S	10/2016	Lisseman	
D768,521	S	10/2016	Lisseman	
D770,342	S	11/2016	Pohanka	
D772,124	S	11/2016	Lee et al.	
D775,563	S *	1/2017	Shan .....	D12/192
D776,584	S *	1/2017	Meissner .....	D12/176
D784,871	S *	4/2017	Lee .....	D12/176
D785,637	S	5/2017	Hennings et al.	
2008/0079241	A1 *	4/2008	Fujimori .....	B60R 21/21656 280/727
2009/0314128	A1 *	12/2009	Rick .....	B62D 1/065 74/558
2013/0133468	A1	5/2013	Rancan	
2016/0159396	A1 *	6/2016	Watanabe .....	B62D 1/046 701/36

OTHER PUBLICATIONS

U.S. Notice of Allowance dated Jun. 19, 2017, issued in cross-reference U.S. Appl. No. 29/576,342 (7 pages).  
 U.S. Ex Parte-Quayle Action dated Jul. 5, 2017, issued in cross-reference U.S. Appl. No. 29/576,340 (9 pages).

\* cited by examiner

FIG. 1

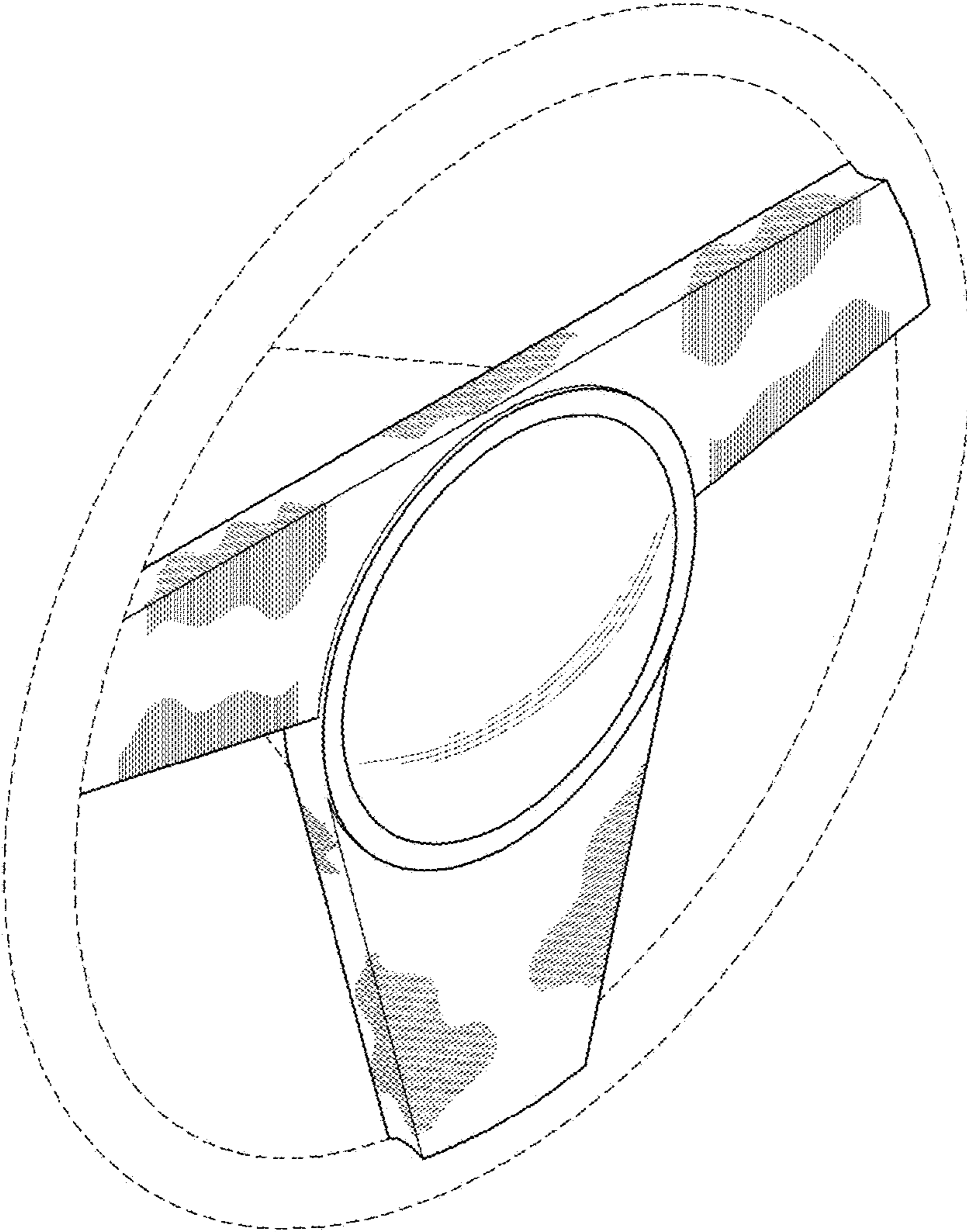


FIG. 2

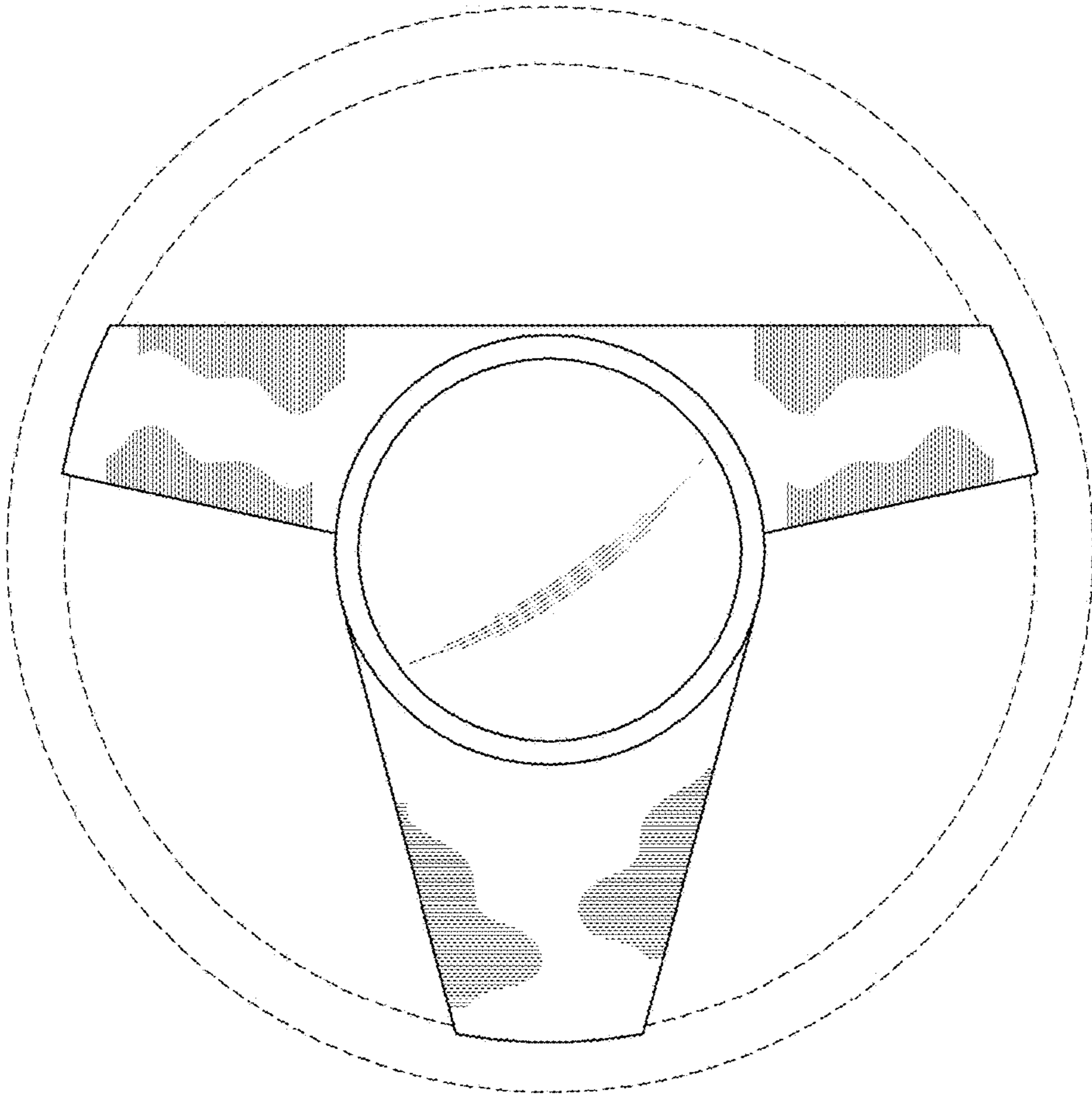


FIG. 3

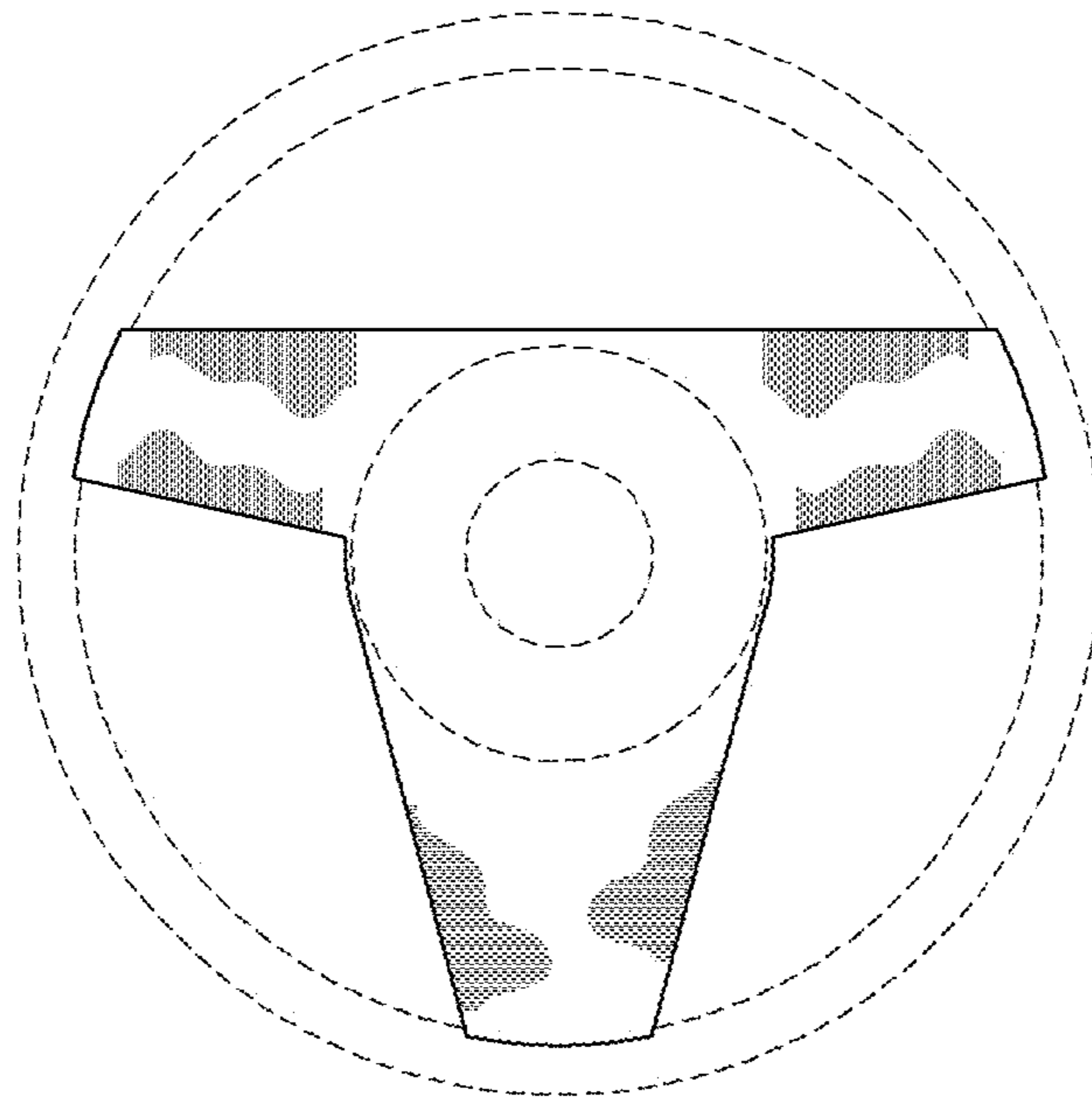


FIG. 4

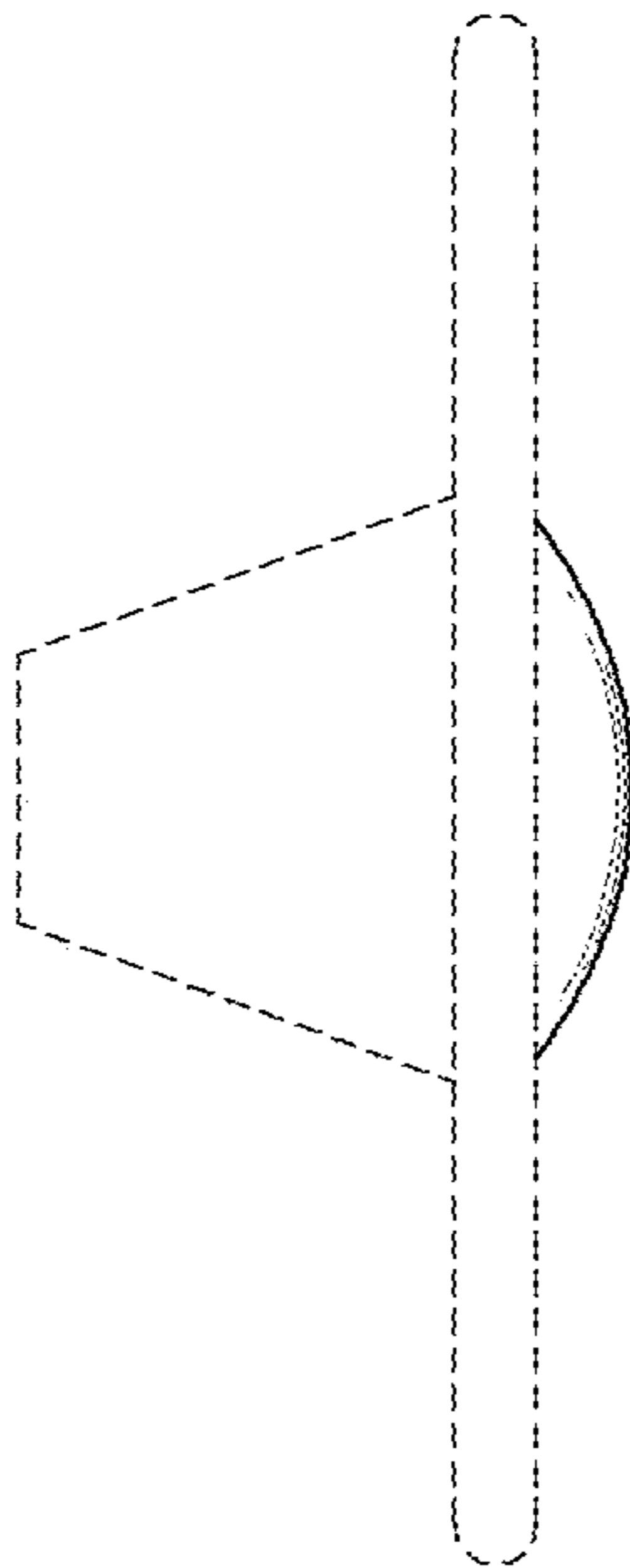


FIG. 5

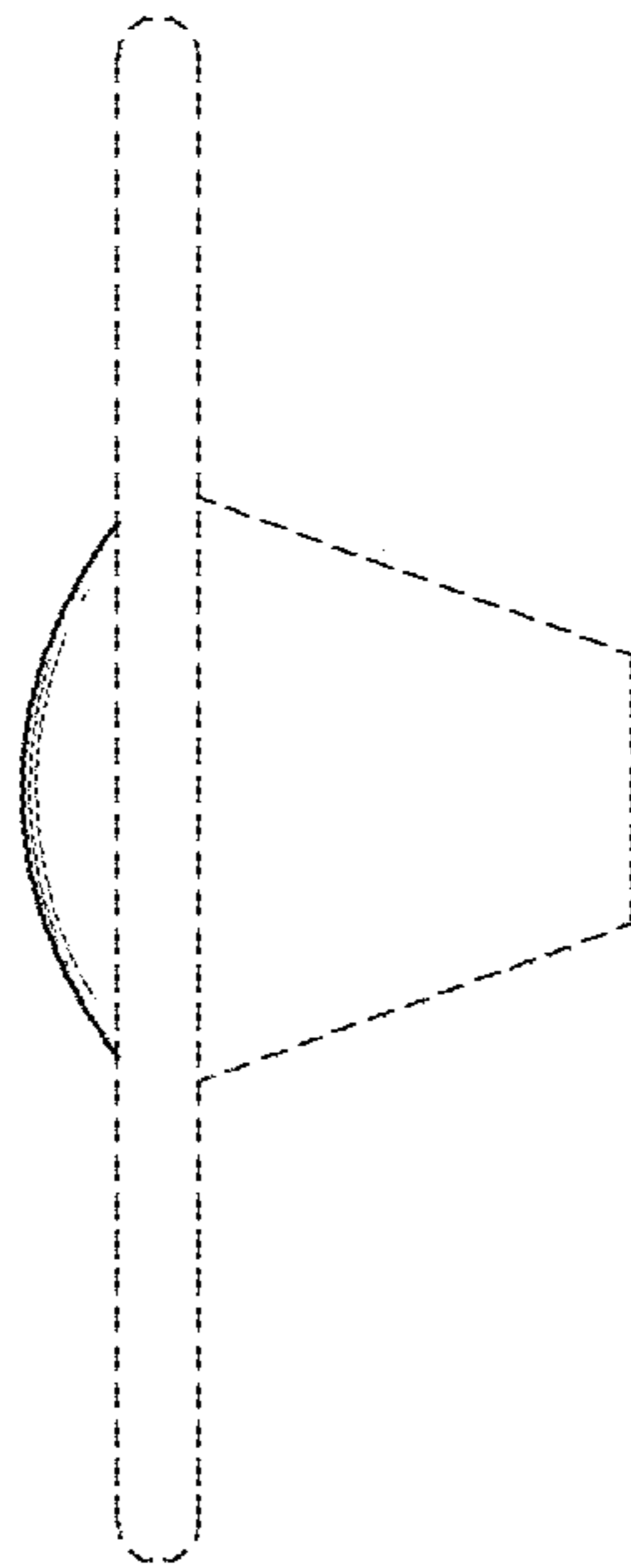


FIG. 6

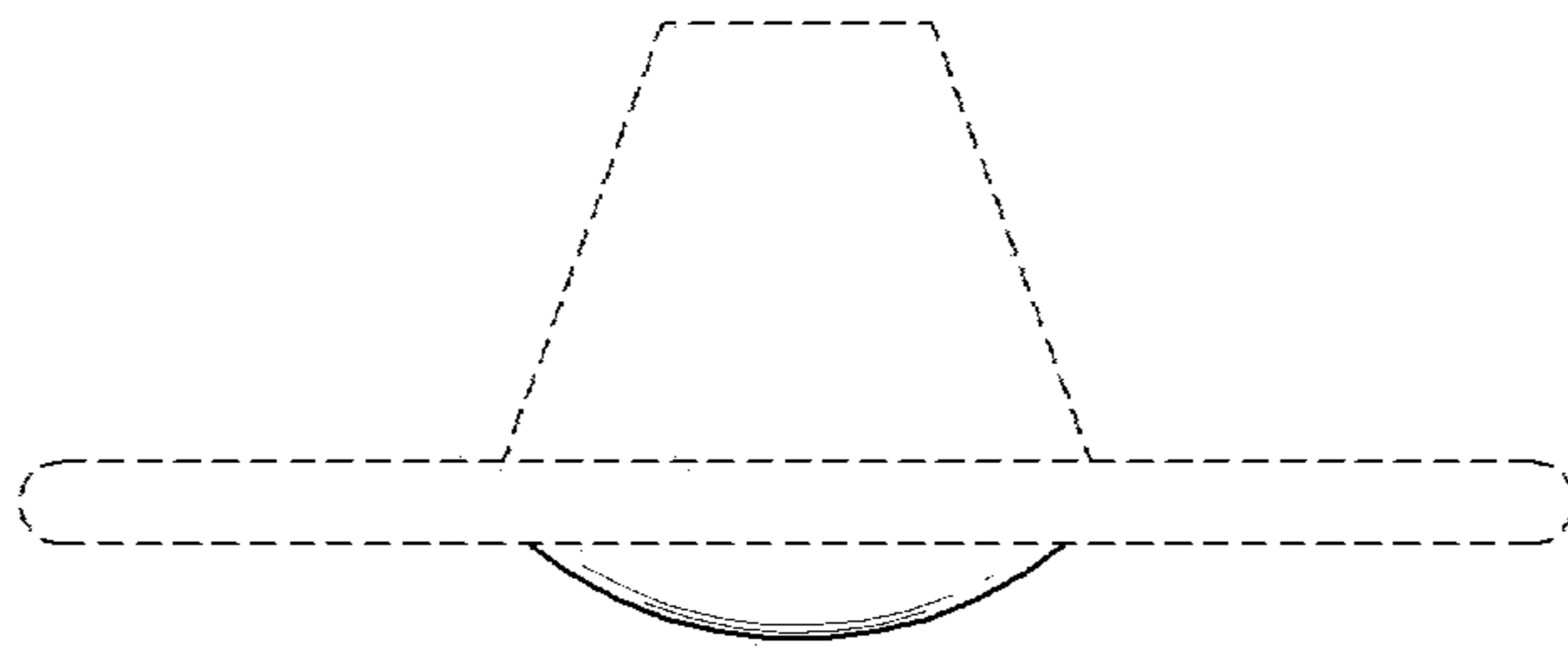




FIG. 7

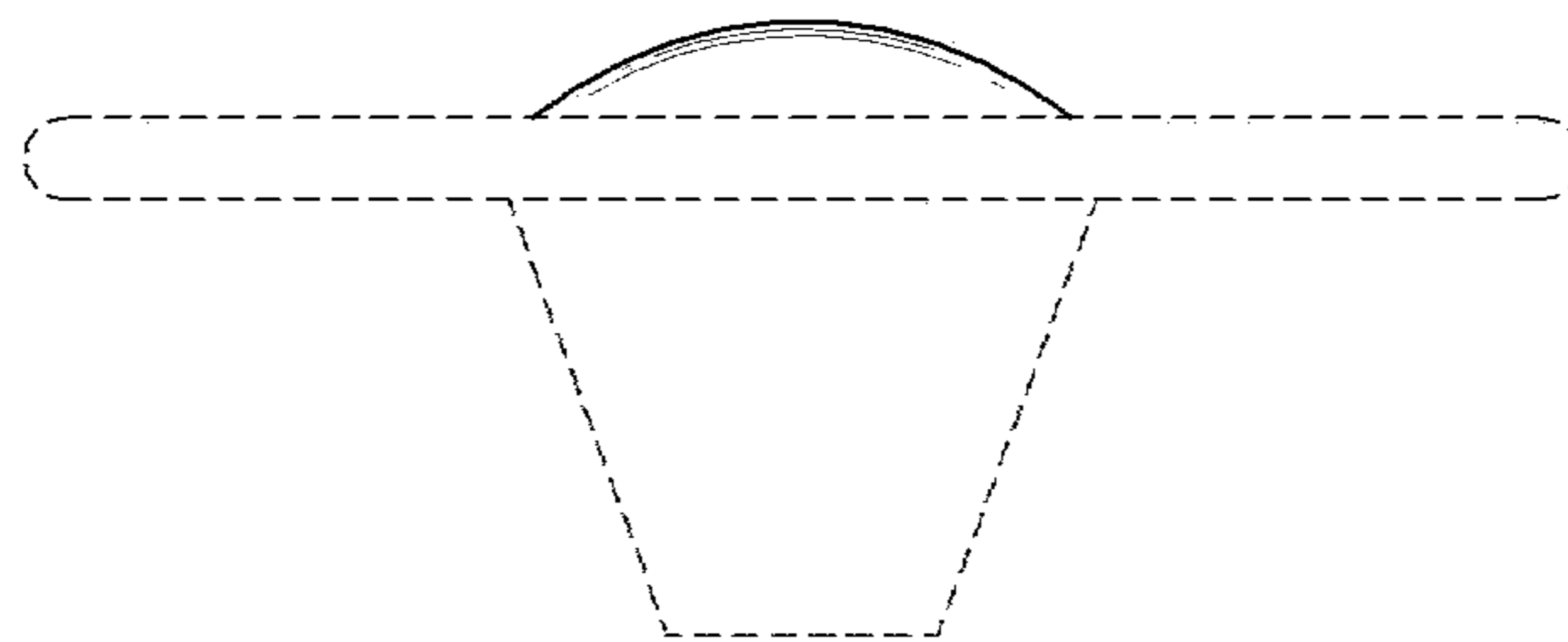


FIG. 8

