

US00D820177S

(12) **United States Design Patent** (10) **Patent No.:** **US D820,177 S**
Buffery (45) **Date of Patent:** **** Jun. 12, 2018**

(54) **STEERING WHEEL**
(71) Applicant: **Jaguar Land Rover Limited**, Whitley, Coventry (GB)
(72) Inventor: **Martin Buffery**, Coventry (GB)
(73) Assignee: **Jaguar Land Rover Limited**, Whitley, Coventry (GB)

D741,759 S * 10/2015 Persson D12/176
D743,858 S * 11/2015 Sugiura D12/176
D743,860 S * 11/2015 Nagumo D12/176
D758,932 S * 6/2016 Schowalter D12/176
D758,933 S * 6/2016 Owaku D12/176
D760,134 S * 6/2016 Montousse D12/176
D772,124 S * 11/2016 Lee D12/176
D797,021 S * 9/2017 Chergosky D12/176
D797,621 S * 9/2017 Ogawa D12/176
D798,206 S * 9/2017 Sjogren D12/176

(**) Term: **15 Years**
(21) Appl. No.: **29/603,458**
(22) Filed: **May 10, 2017**

* cited by examiner
Primary Examiner — Melody N Brown
(74) *Attorney, Agent, or Firm* — Wood Herron & Evans LLP

(30) **Foreign Application Priority Data**
Nov. 11, 2016 (EM) 003459536-0002
(51) **LOC (11) Cl.** **12-16**
(52) **U.S. Cl.**
USPC **D12/176**
(58) **Field of Classification Search**
USPC D12/175, 176; 74/552, 558, 558.5
CPC B60R 21/203; B60R 21/05; B62D 1/04
See application file for complete search history.

(57) **CLAIM**
The ornamental design for a steering wheel, as shown and described.

(56) **References Cited**
U.S. PATENT DOCUMENTS
D630,983 S * 1/2011 Frank D12/176
D649,095 S * 11/2011 Frank D12/176
D671,464 S * 11/2012 Baccus D12/176
D703,594 S * 4/2014 Kim D12/176
D704,108 S * 5/2014 Frank D12/176
D716,203 S * 10/2014 Nakai D12/176

DESCRIPTION
FIG. 1 is a left, front perspective view of a steering wheel for vehicle according to the present invention.
FIG. 2 is a right, front perspective view of the steering wheel shown in FIG. 1.
FIG. 3 is a right, rear perspective view thereof.
FIG. 4 is a left, rear perspective view thereof.
FIG. 5 is a front view thereof.
FIG. 6 is a rear view thereof.
FIG. 7 is a left side view thereof.
FIG. 8 is a right side view thereof; and,
FIG. 9 is a top view thereof.

1 Claim, 9 Drawing Sheets

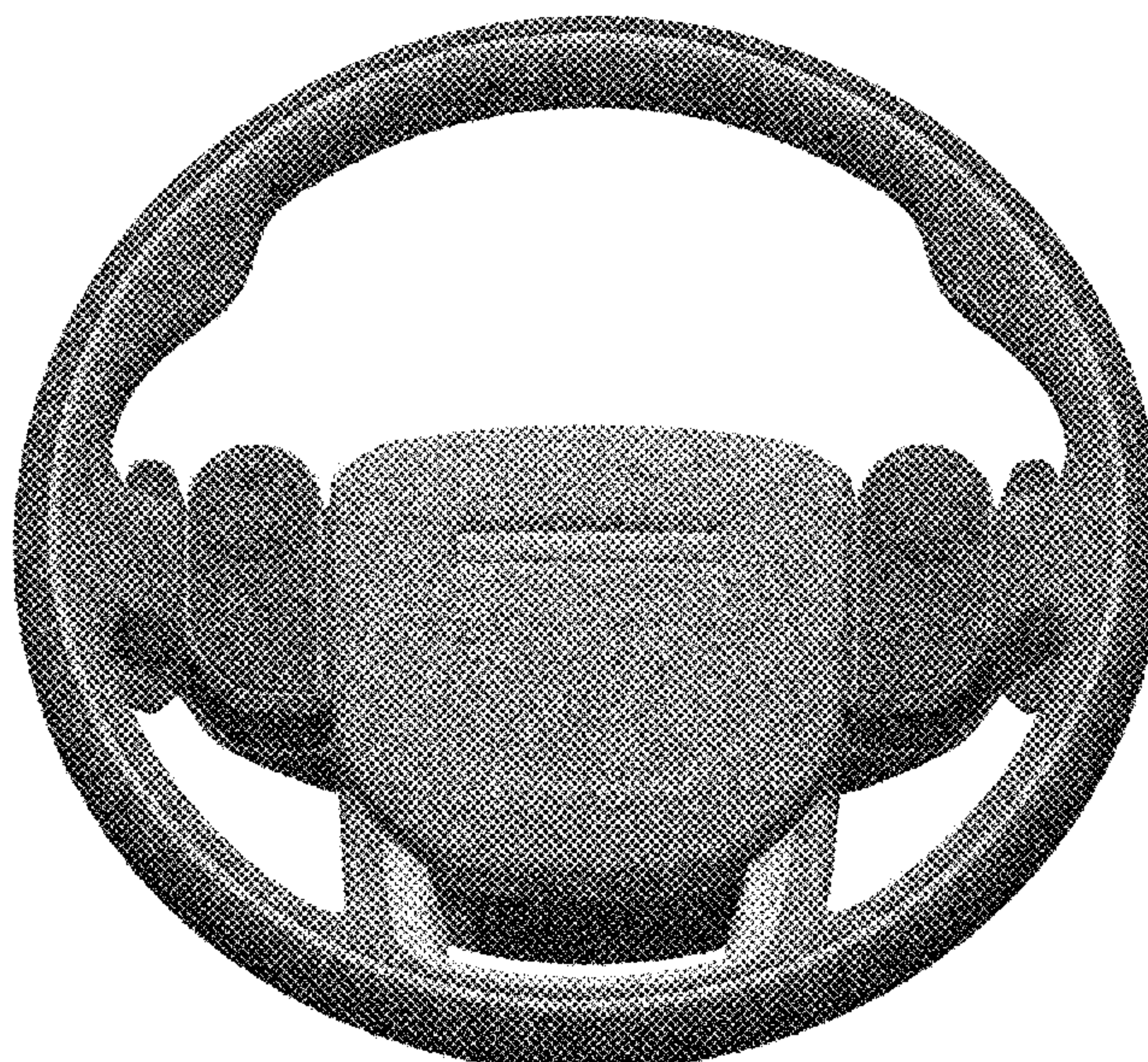




FIG. 1



FIG. 2



FIG. 3



FIG. 4



FIG. 5

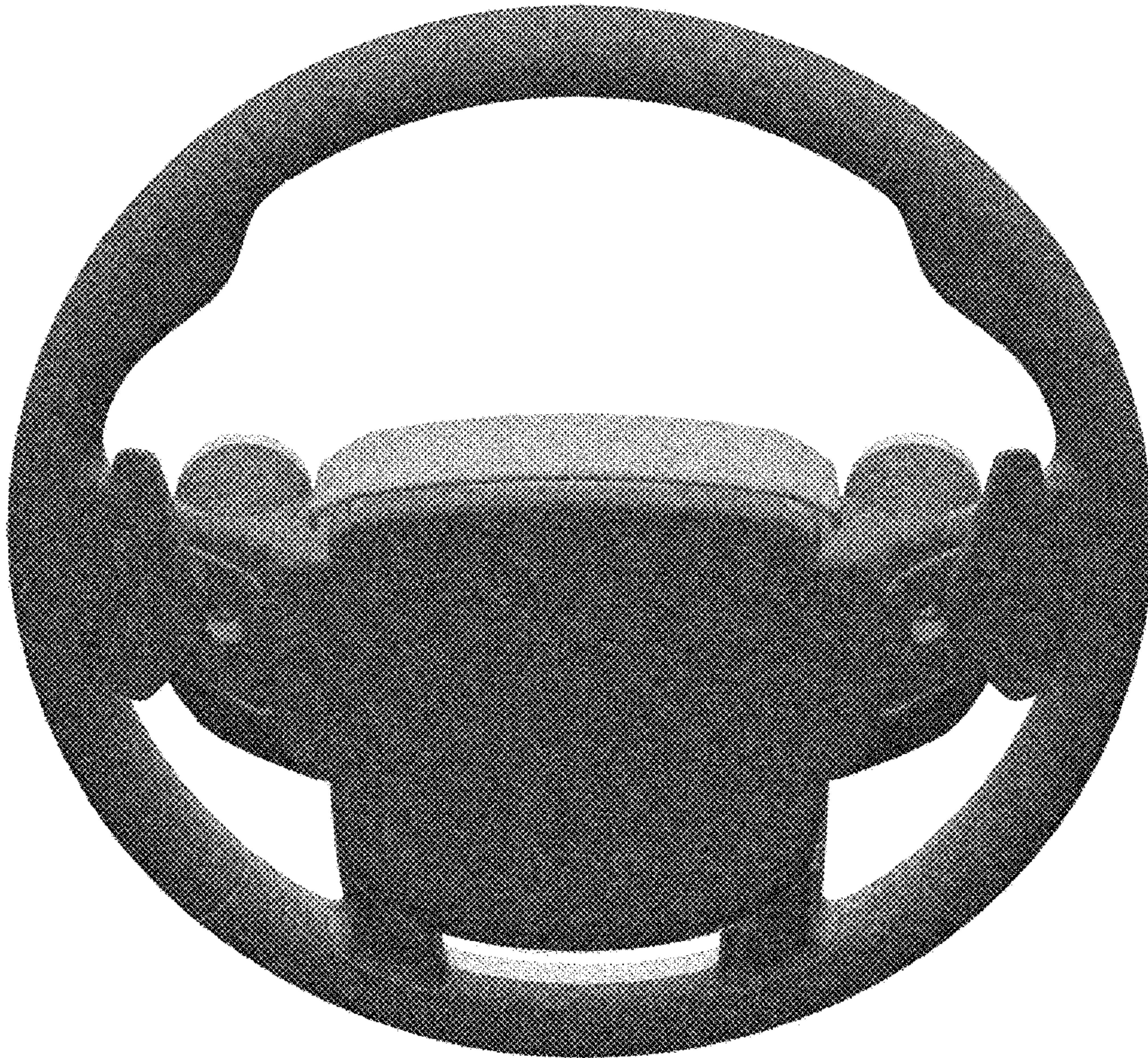


FIG. 6

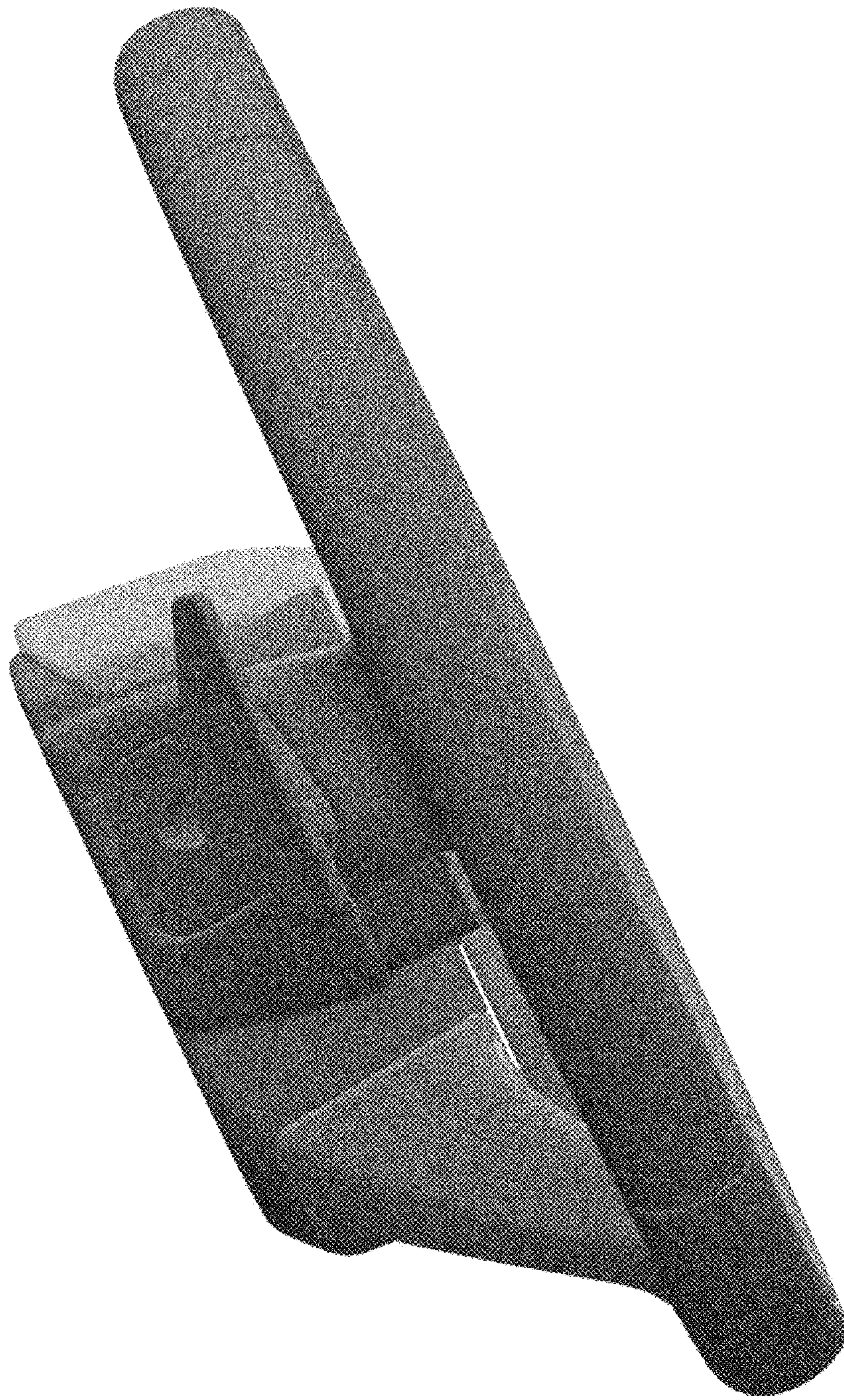


FIG. 7

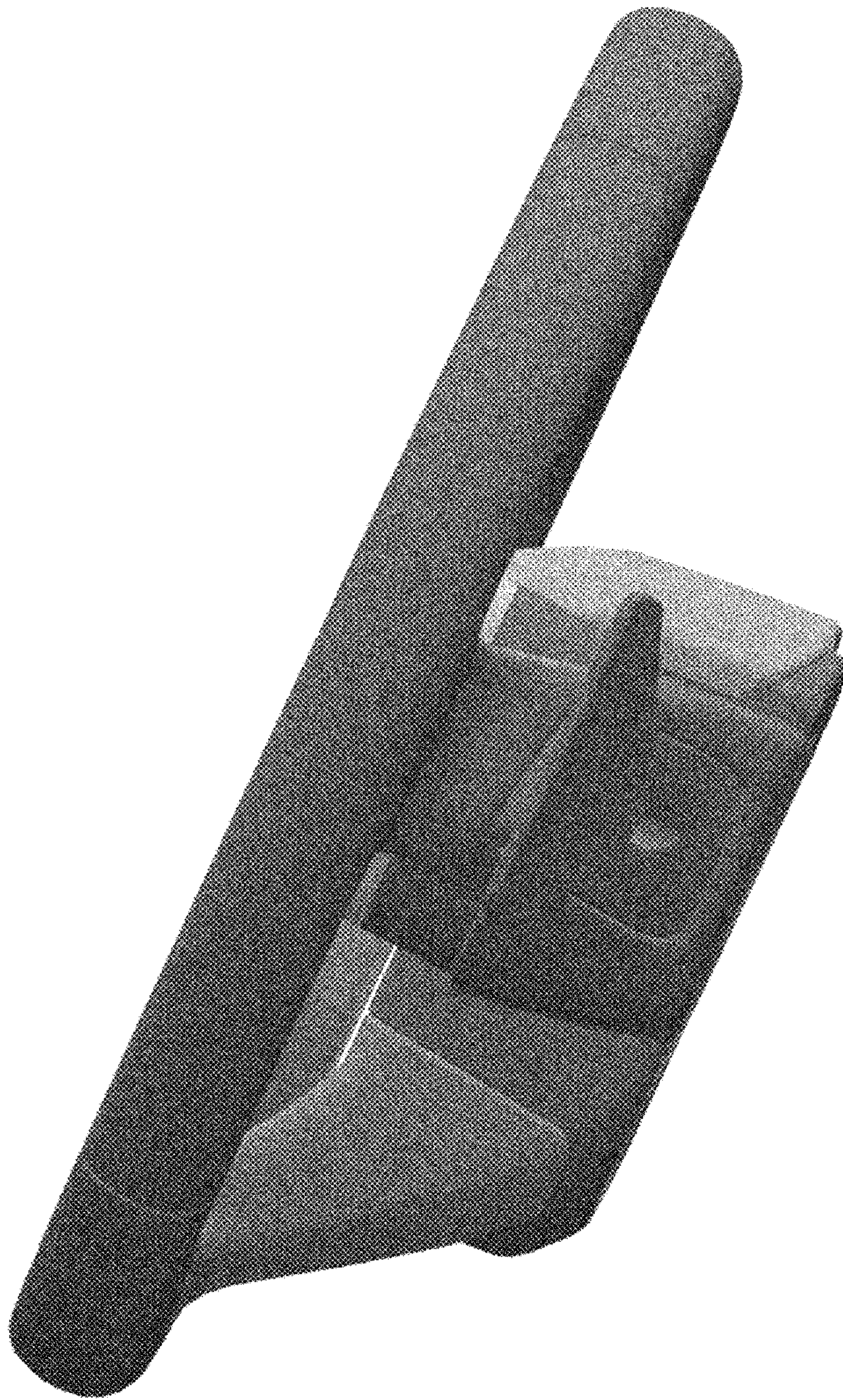


FIG. 8

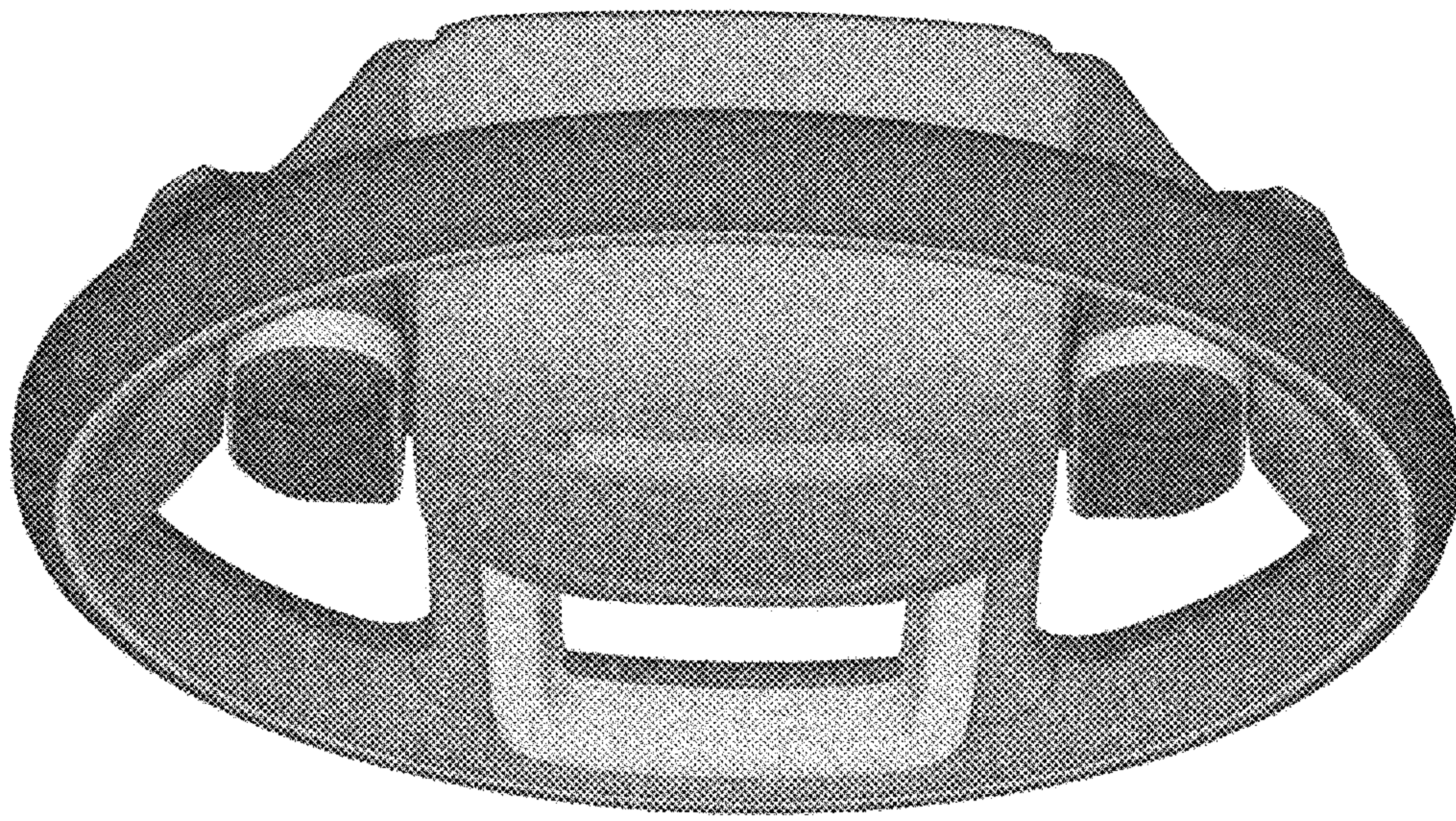


FIG. 9

UNITED STATES PATENT AND TRADEMARK OFFICE
CERTIFICATE OF CORRECTION

PATENT NO. : D820,177 S
APPLICATION NO. : 29/603458
DATED : June 12, 2018
INVENTOR(S) : Martin Buffery

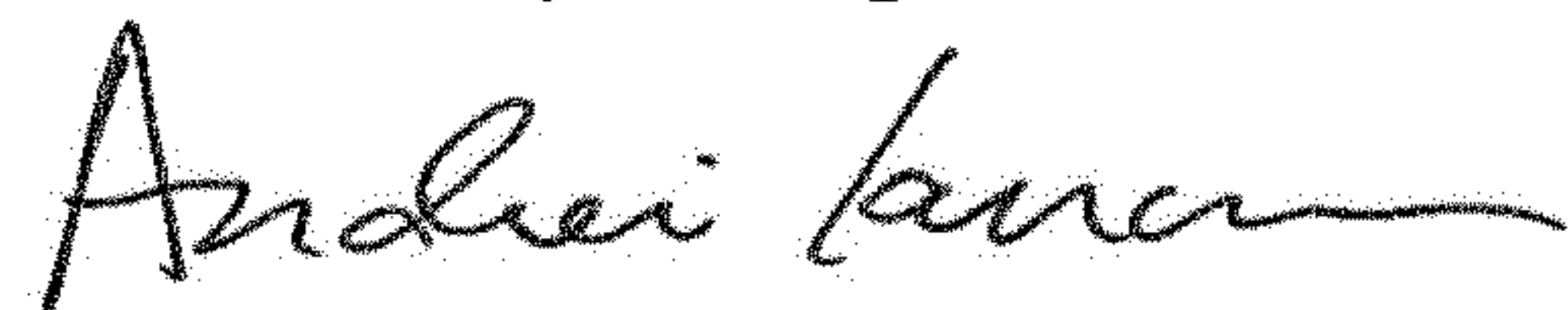
Page 1 of 1

It is certified that error appears in the above-identified patent and that said Letters Patent is hereby corrected as shown below:

On the Title Page

Column 2, under Description, "FIG. 1 is a left, front perspective view of a steering wheel for vehicle..." should read --FIG. 1 is a left, front perspective view of a steering wheel for a vehicle...--.

Signed and Sealed this
Fourth Day of September, 2018



Andrei Iancu
Director of the United States Patent and Trademark Office