

US00D820172S

(12) **United States Design Patent** (10) **Patent No.:** **US D820,172 S**
Szavits (45) **Date of Patent:** **** Jun. 12, 2018**

(54) **FRONT BUMPER FOR A VEHICLE**
(71) Applicant: **Bayerische Motoren Werke Aktiengesellschaft, Munich (DE)**
(72) Inventor: **Michael Szavits, Munich (DE)**
(73) Assignee: **Bayerische Motoren Werke Aktiengesellschaft, Munich (DE)**
(**) Term: **15 Years**

D712,322 S * 9/2014 Kobayashi D12/169
D721,305 S * 1/2015 George D12/169
D721,306 S * 1/2015 George D12/169
D722,926 S * 2/2015 Kato D12/169
D723,435 S * 3/2015 Thole D12/169
D726,602 S * 4/2015 Rupar D12/169
D729,707 S * 5/2015 Thole D12/169
D737,740 S * 9/2015 Goepfel
D750,539 S * 3/2016 Iwauchi D12/169
D762,532 S * 8/2016 Tsutamori D12/169
D764,975 S * 8/2016 Aengenheyster D12/91

(Continued)

(21) Appl. No.: **29/581,551**

(22) Filed: **Oct. 20, 2016**

(30) **Foreign Application Priority Data**

Apr. 21, 2016 (DE) 40 2016 100 513

(51) **LOC (11) Cl.** **12-16**

(52) **U.S. Cl.**
USPC **D12/169**

(58) **Field of Classification Search**
USPC D3/318; D12/86, 90, 91, 92, 163, 169, D12/171, 196, 216
CPC B60R 19/02; B60R 19/04; B62D 25/00; B62D 25/06; B62D 25/08; B62D 35/00; A45C 13/08; A45F 5/10
See application file for complete search history.

(56) **References Cited**

U.S. PATENT DOCUMENTS

D528,051 S * 9/2006 Fukui D12/169
D537,389 S * 2/2007 Beigel D12/169
D540,722 S * 4/2007 Angelo D12/169
D584,199 S * 1/2009 Leclercq D12/169
D598,827 S * 8/2009 Kanai D12/169
D626,042 S * 10/2010 Yamazaki D12/169
D680,479 S * 4/2013 Frei D12/169
D687,752 S * 8/2013 Fetherston D12/169
D688,989 S * 9/2013 Minamisawa D12/169
D702,161 S * 4/2014 Hanaoka D12/169

FOREIGN PATENT DOCUMENTS

WO WO DM/068116 10/2006

Primary Examiner — Susan Bennett Hattan

Assistant Examiner — Suzanne E Tisdell

(74) *Attorney, Agent, or Firm* — Crowell & Moring LLP

(57) **CLAIM**

The ornamental design for a front bumper for a vehicle, as shown and described.

DESCRIPTION

This application contains subject matter related to the following co-pending U.S. design patent applications: Application Ser. No. 29/581,549, filed herewith and entitled "Vehicle, Toy, and/or Replicas Thereof"; and Application Ser. No. 29/581,552, filed herewith and entitled "Front Bumper for a Vehicle".

FIG. 1 is a front view of a front bumper for a vehicle according to the design;

FIG. 2 is a right, front perspective view thereof;

FIG. 3 is a rear perspective view thereof;

FIG. 4 is a right side view thereof;

FIG. 5 is a left side view thereof;

FIG. 6 is a top view thereof;

FIG. 7 is a bottom view thereof; and,

FIG. 8 is a rear view thereof.

1 Claim, 8 Drawing Sheets



(56)

References Cited

U.S. PATENT DOCUMENTS

D774,428	S	*	12/2016	Davidson	D12/169
D786,149	S	*	5/2017	Pevovar	D12/169
D788,657	S	*	6/2017	Oohashi	D12/169
D792,815	S	*	7/2017	Kozub	D12/169
D792,816	S	*	7/2017	Kozub	D12/169
D793,296	S	*	8/2017	Smith	D12/169
D793,921	S	*	8/2017	Takamatsu	D12/169
D793,924	S	*	8/2017	Sagawa	D12/169
D797,019	S	*	9/2017	Yamashita	D12/169
D797,617	S	*	9/2017	Mori	D12/169
D797,618	S	*	9/2017	Suzuki	D12/169
D800,035	S	*	10/2017	Takamatsu	D12/169
D800,614	S	*	10/2017	Park	D12/169
D803,112	S	*	11/2017	Tomita	D12/169
D805,449	S	*	12/2017	Chung	D12/169
D807,248	S	*	1/2018	Piscitelli	D12/169
D807,250	S	*	1/2018	Piscitelli	D12/169
D807,252	S	*	1/2018	Piscitelli	D12/169
D807,254	S	*	1/2018	Piscitelli	D12/169
D807,257	S	*	1/2018	Piscitelli	D12/169
D807,258	S	*	1/2018	Patel	D12/169
2004/0032133	A1	*	2/2004	Bird	B60R 19/04 293/154
2006/0249961	A1	*	11/2006	Flotzinger	B60R 19/04 293/115
2006/0290169	A1	*	12/2006	Fukushima	B60Q 1/302 296/180.1

* cited by examiner

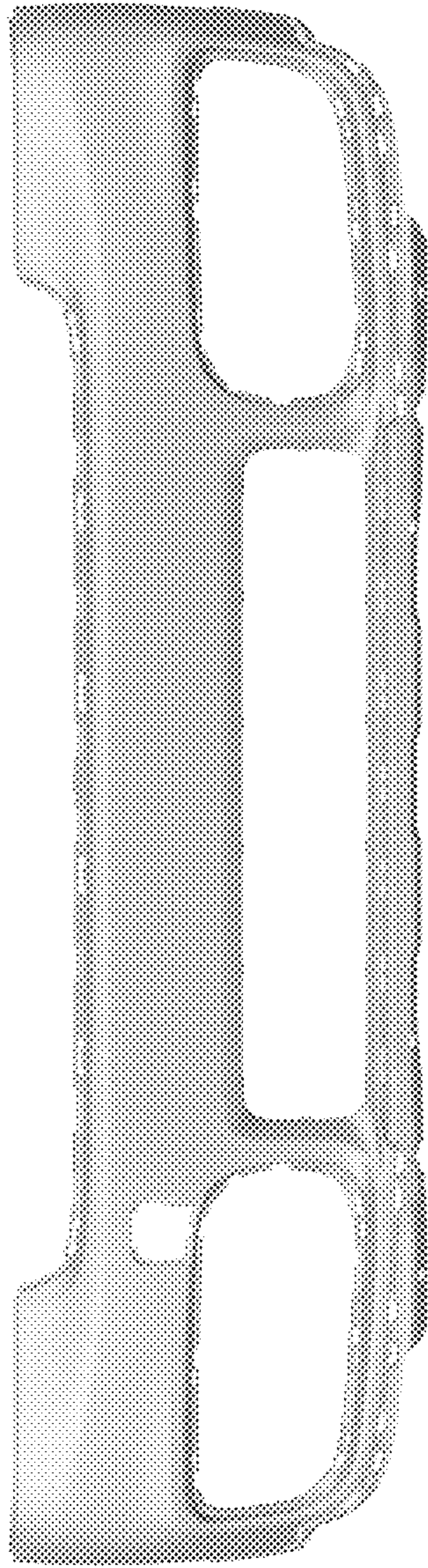


Fig. 1

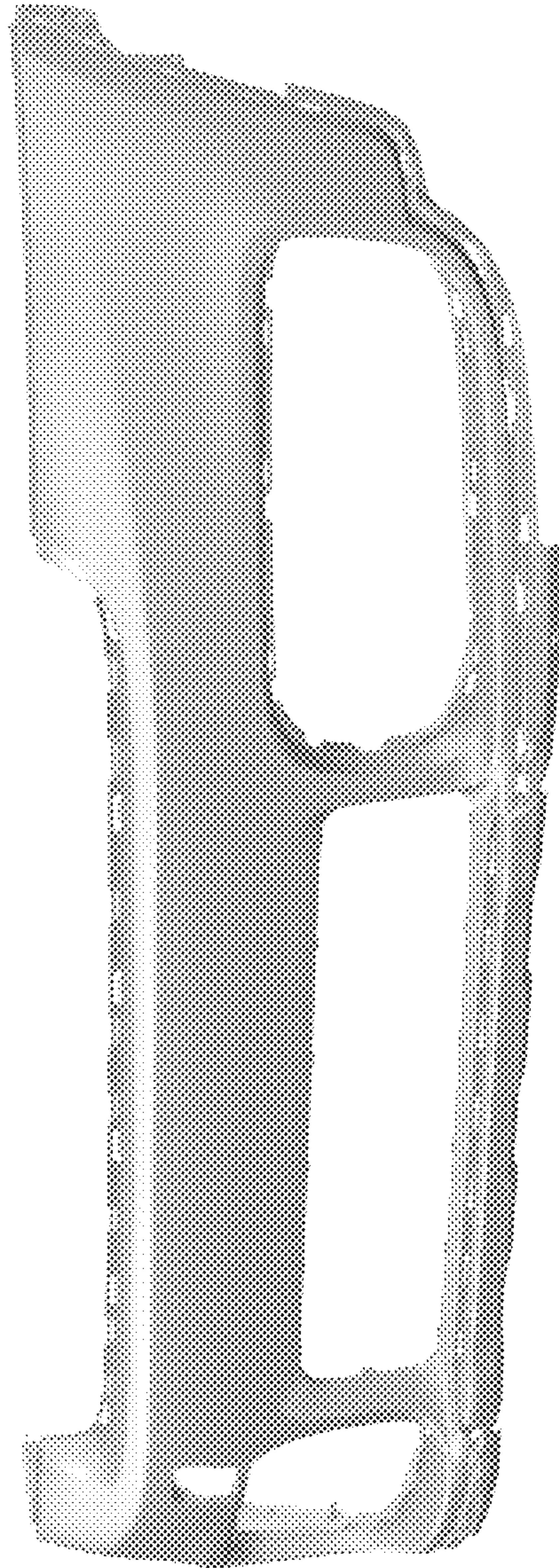


Fig. 2

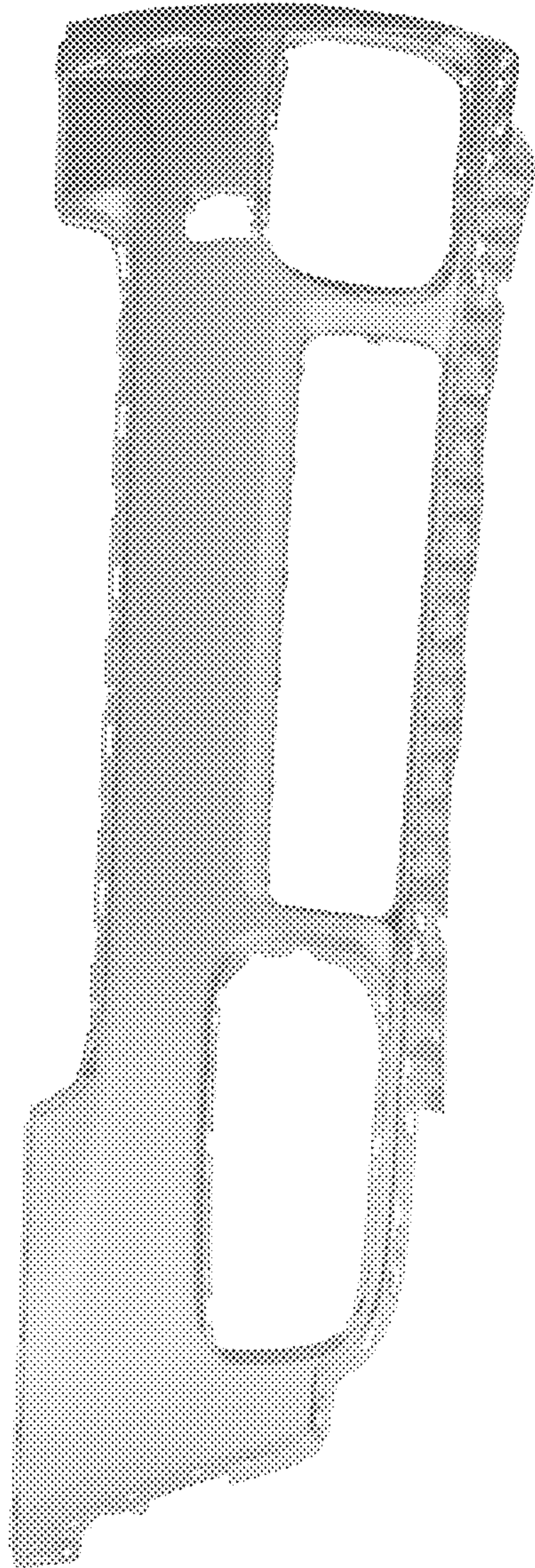


Fig. 3

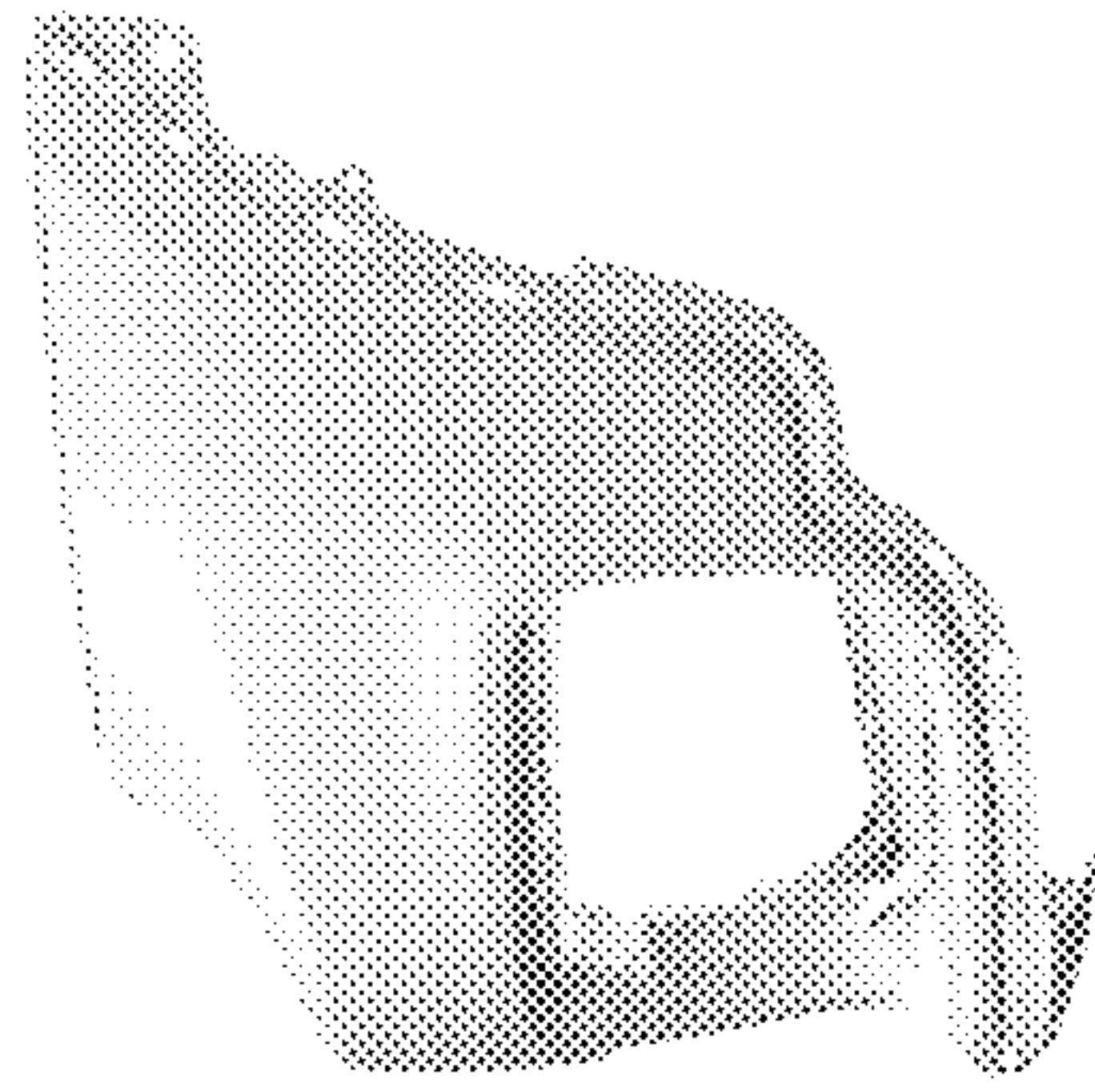


Fig. 4

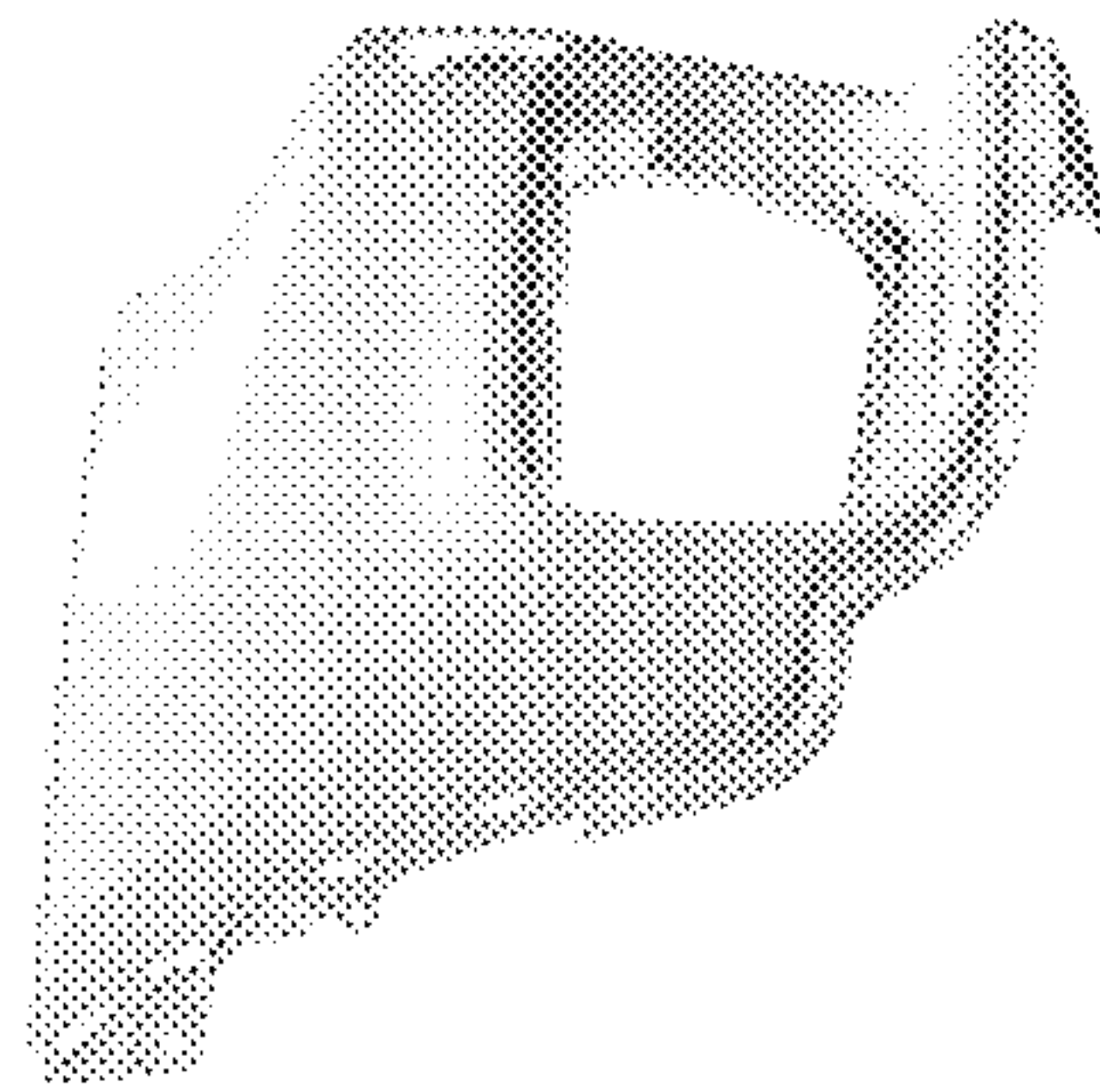


Fig. 5

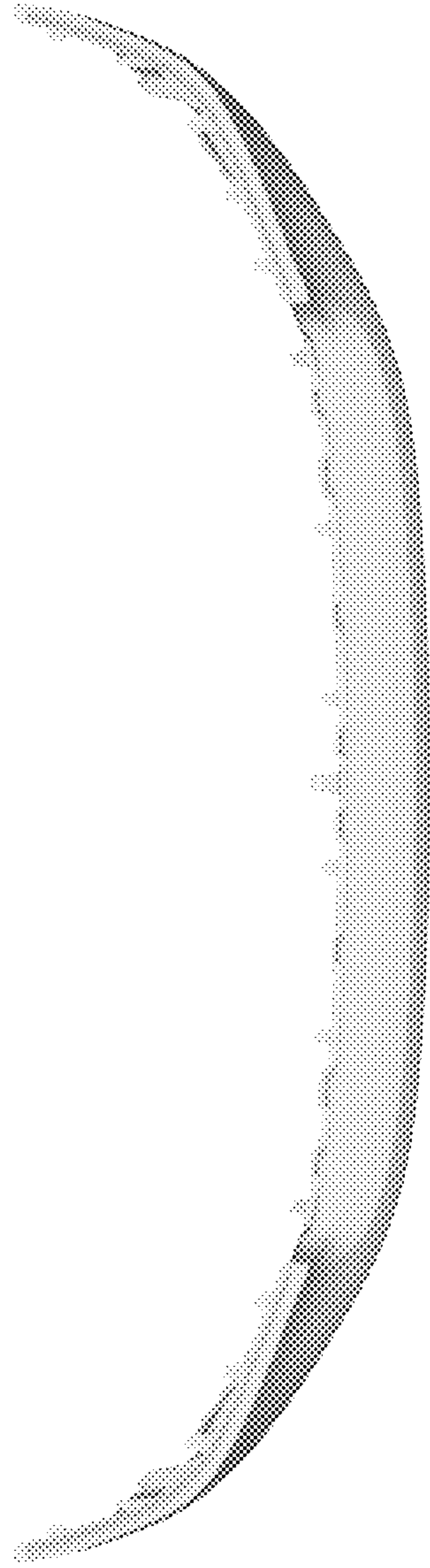


Fig. 6

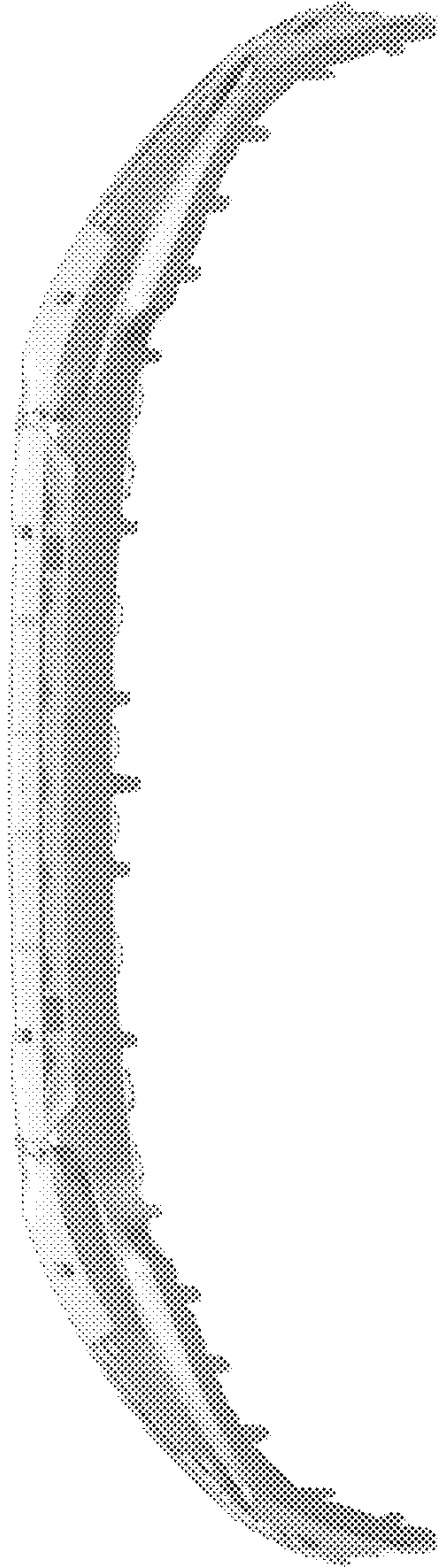


Fig. 7

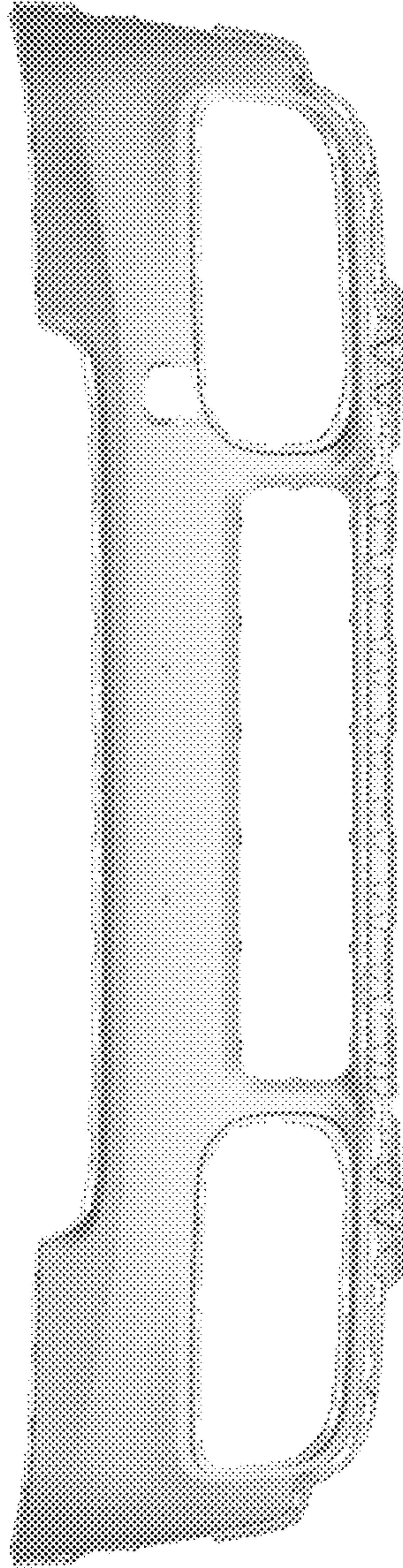


Fig. 8