



US00D820166S

(12) **United States Design Patent**
Borkert

(10) **Patent No.:** **US D820,166 S**
(45) **Date of Patent:** **** Jun. 12, 2018**

(54) **CAR, TOY REPLICA AND/OR OTHER REPLICA**

(71) Applicant: **AUTOMOBILI LAMBORGHINI S.P.A.**, Sant'Agata Bolognese (IT)

(72) Inventor: **Mitja Borkert**, Castelnuovo Rangone (IT)

(73) Assignee: **AUTOMOBILI LAMBORGHINI S.p.A.**, Sant'Agata Bolognese (IT)

(**) Term: **15 Years**

(21) Appl. No.: **29/596,397**

(22) Filed: **Mar. 8, 2017**

(30) **Foreign Application Priority Data**

Oct. 10, 2016 (EM) 003413814-0001

(51) **LOC (11) Cl.** **12-08**

(52) **U.S. Cl.**
USPC **D12/92**

(58) **Field of Classification Search**
USPC D12/86, 90-92, 88; D21/421, 433, 434;
296/181.1, 181.5
CPC B62D 35/00; B62D 25/00; B62D 25/06;
B62D 33/00
See application file for complete search history.

(56) **References Cited**

U.S. PATENT DOCUMENTS

D491,843 S * 6/2004 Giugiaro D12/88
D715,690 S * 10/2014 Perini D12/88

D740,175 S * 10/2015 Bischoff D12/88
D741,753 S * 10/2015 Perini D12/92
D769,152 S * 10/2016 Perini D12/88
D774,416 S * 12/2016 Perini D12/92
D774,947 S * 12/2016 Anscheidt D12/88
D790,398 S * 6/2017 Perini D12/92
D790,402 S * 6/2017 Perini D12/92

* cited by examiner

Primary Examiner — Melody N Brown

(74) *Attorney, Agent, or Firm* — Shuttleworth & Ingersoll, PLC; Timothy Klima

(57) **CLAIM**

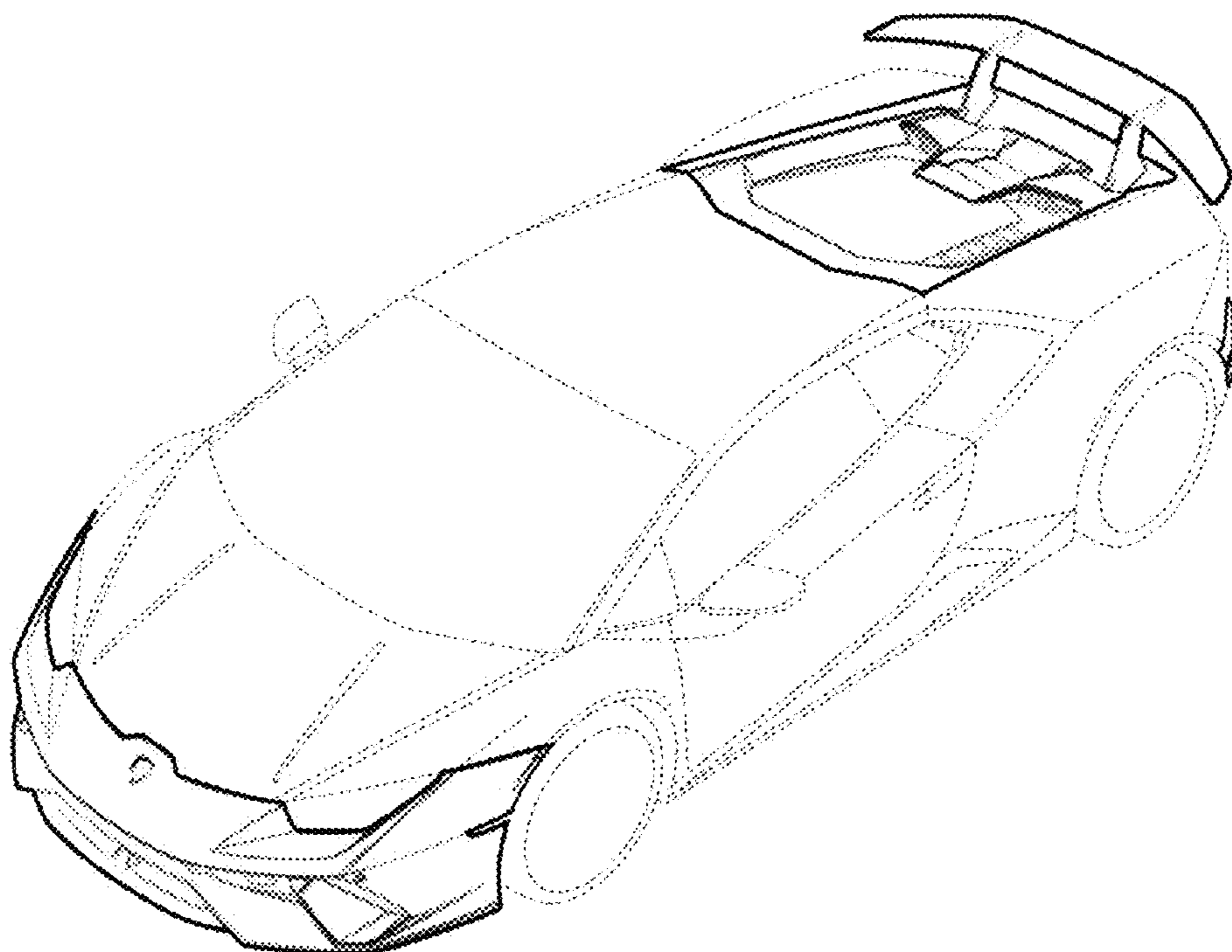
The ornamental design for a car, toy replica and/or other replica, as shown and described.

DESCRIPTION

The patent or application file contains at least one drawing executed in color. Copies of this patent or patent application publication with color drawing(s) will be provided by the Office upon request and payment of the necessary fee.

FIG. 1 is a top plan view of a car, toy replica and/or other replica showing my new design;
FIG. 2 is a left side elevational view thereof;
FIG. 3 is a front and left side perspective view thereof;
FIG. 4 is a rear elevational view thereof;
FIG. 5 is a front elevational view thereof;
FIG. 6 is a rear and left side perspective view thereof; and;
FIG. 7 is a right side elevational view thereof.
The broken lines in the figures illustrate portions of the car that form no part of the claimed design.

1 Claim, 7 Drawing Sheets
(7 of 7 Drawing Sheet(s) Filed in Color)



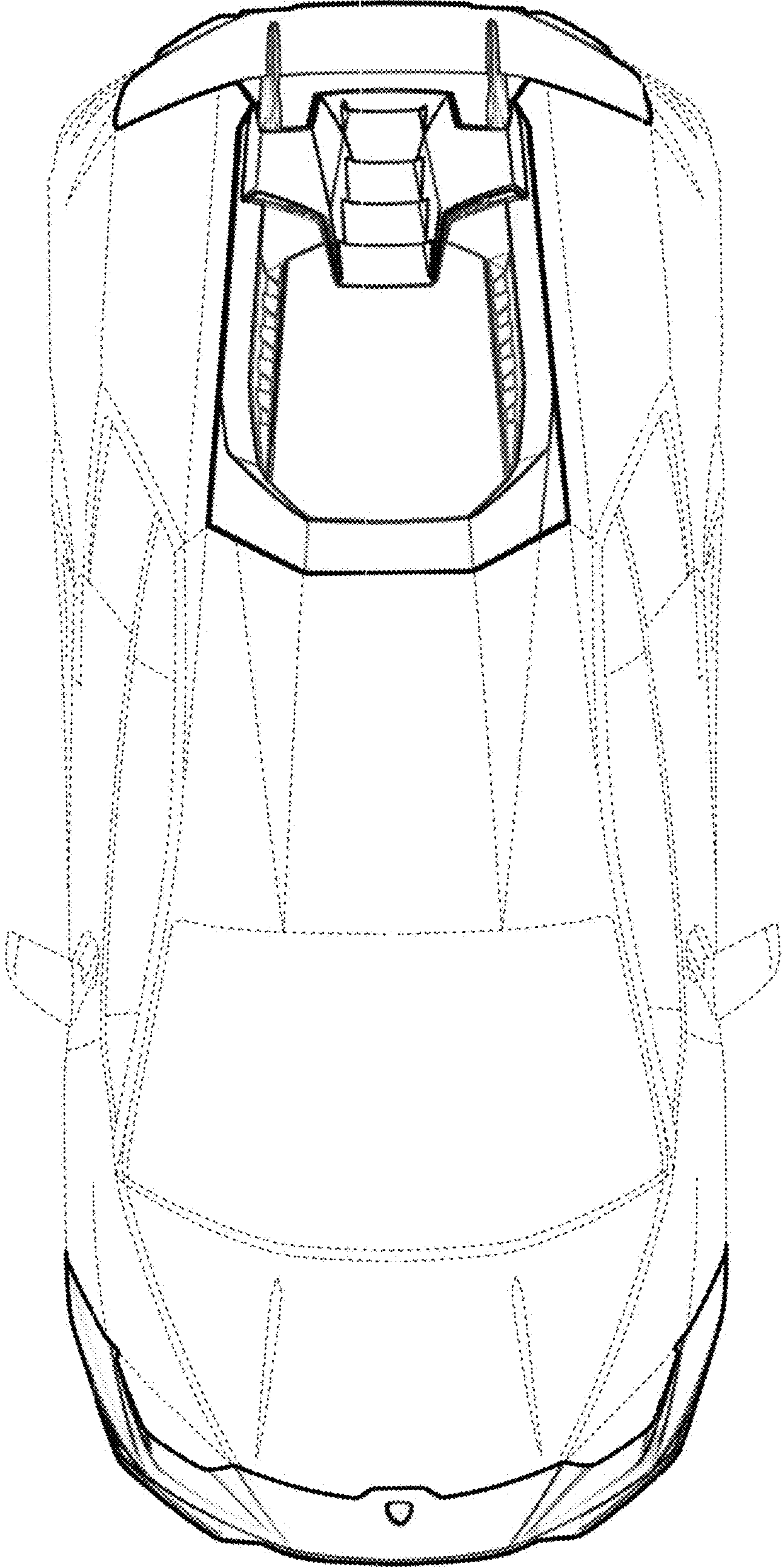


FIG. 1

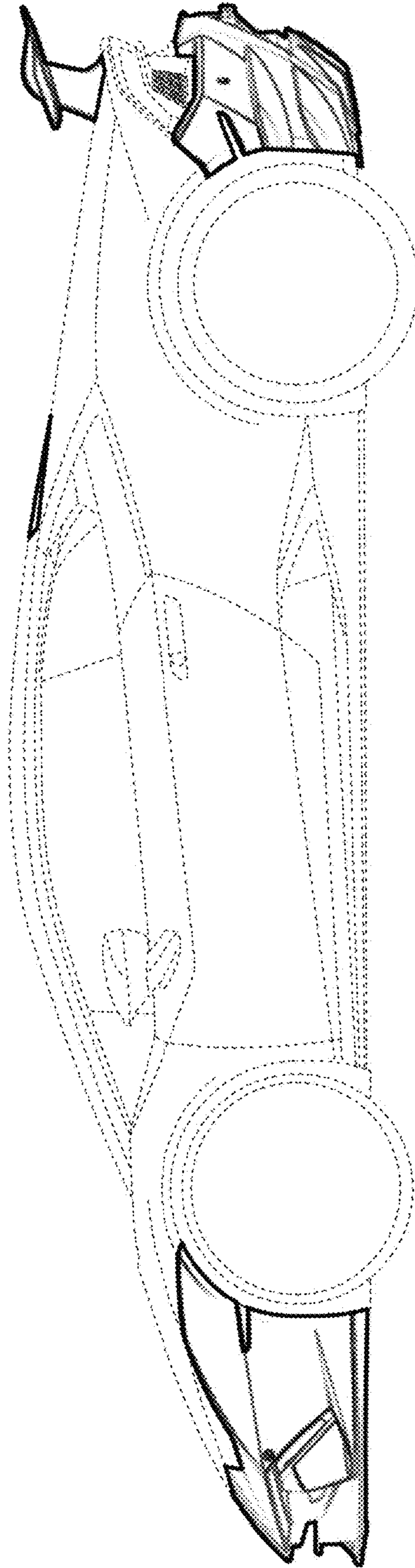


FIG. 2

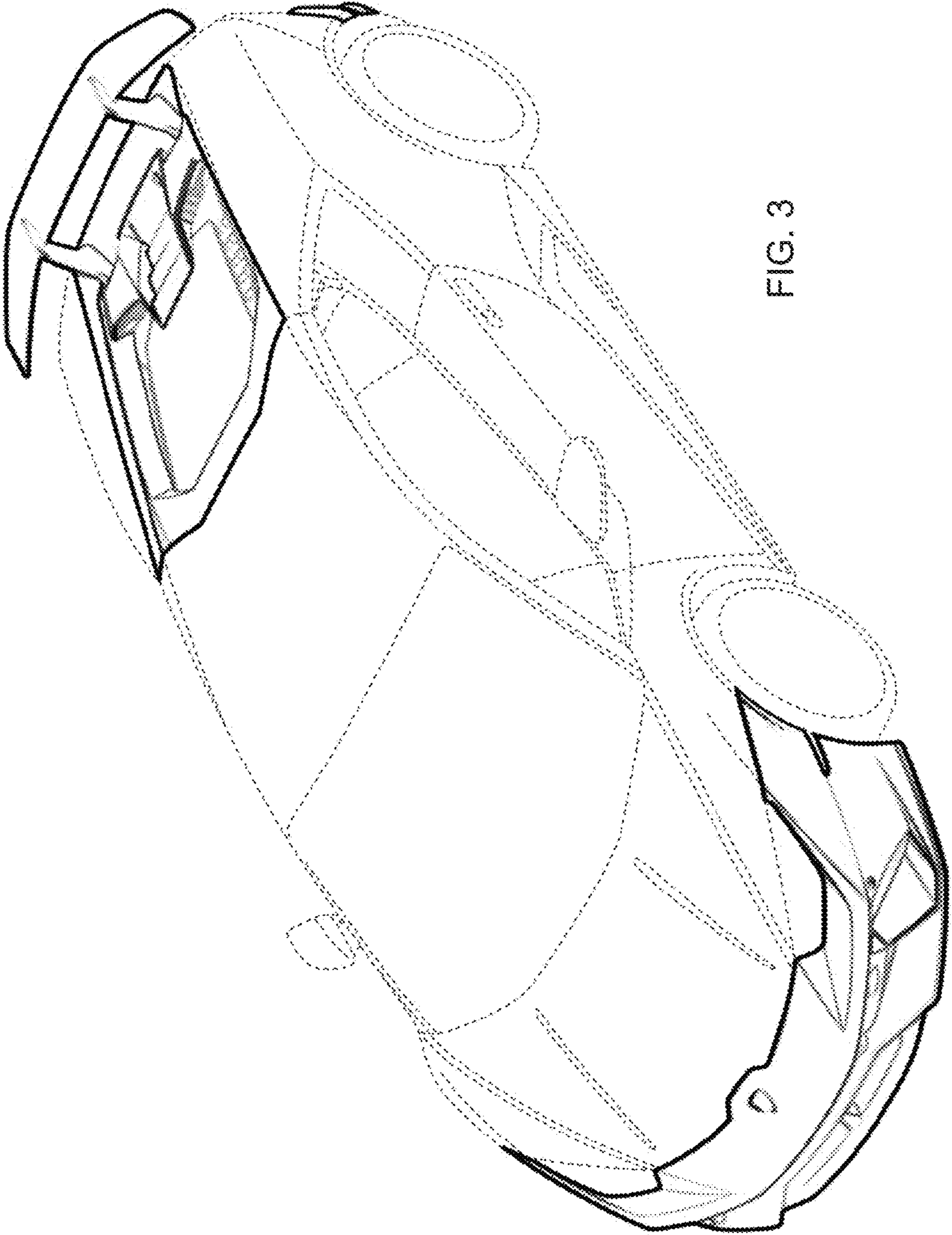


FIG. 3

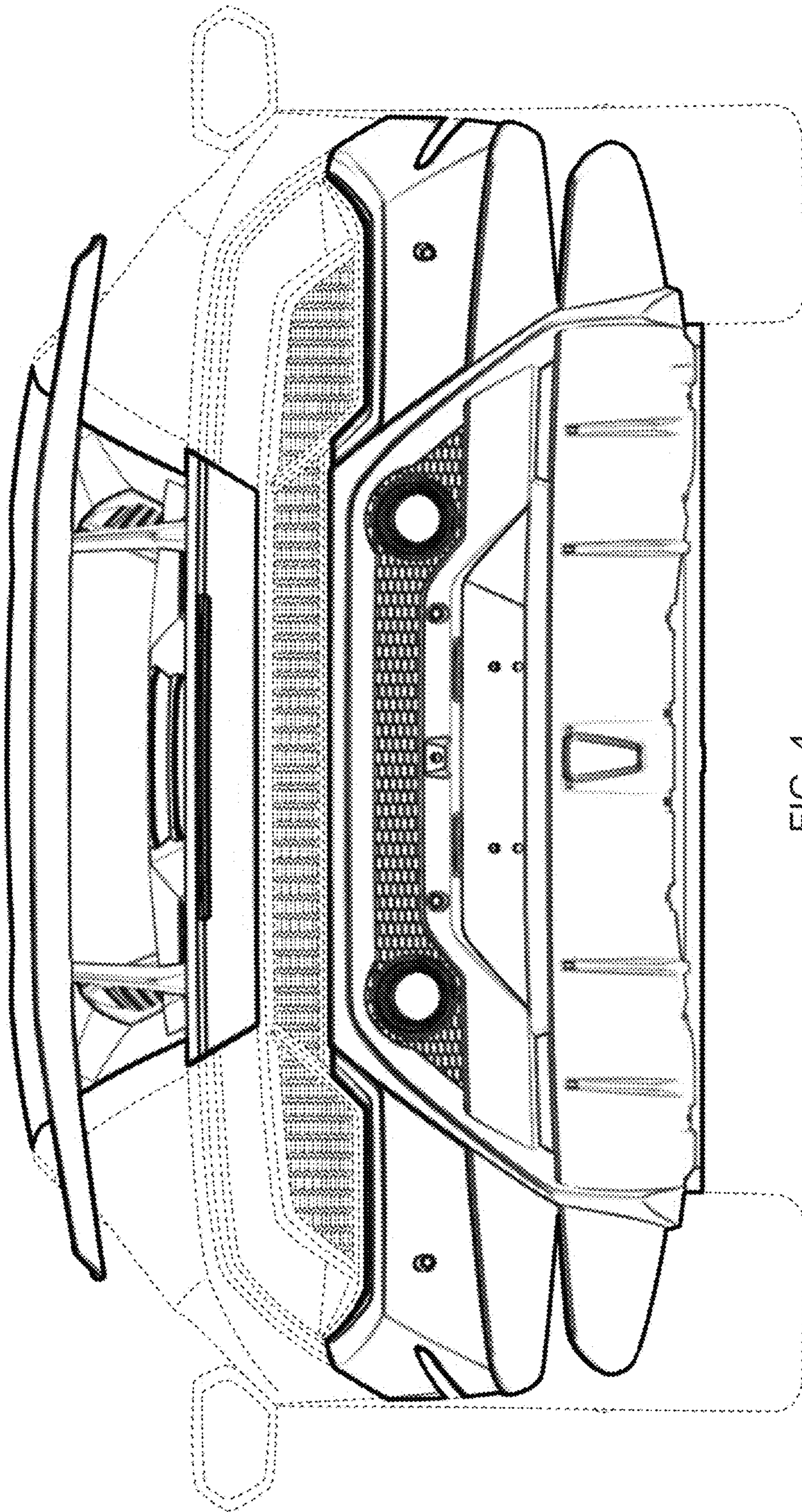


FIG. 4

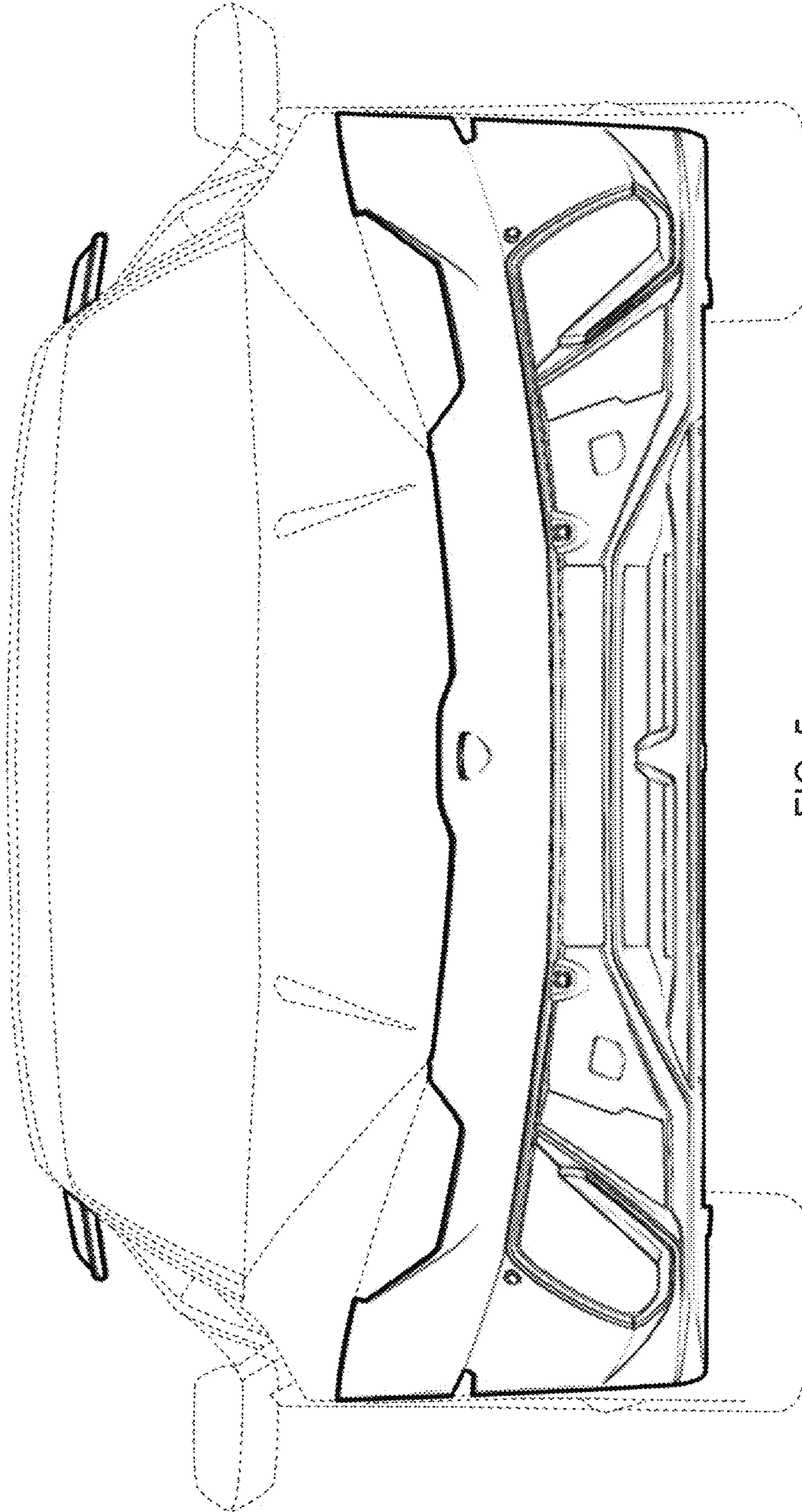


FIG. 5

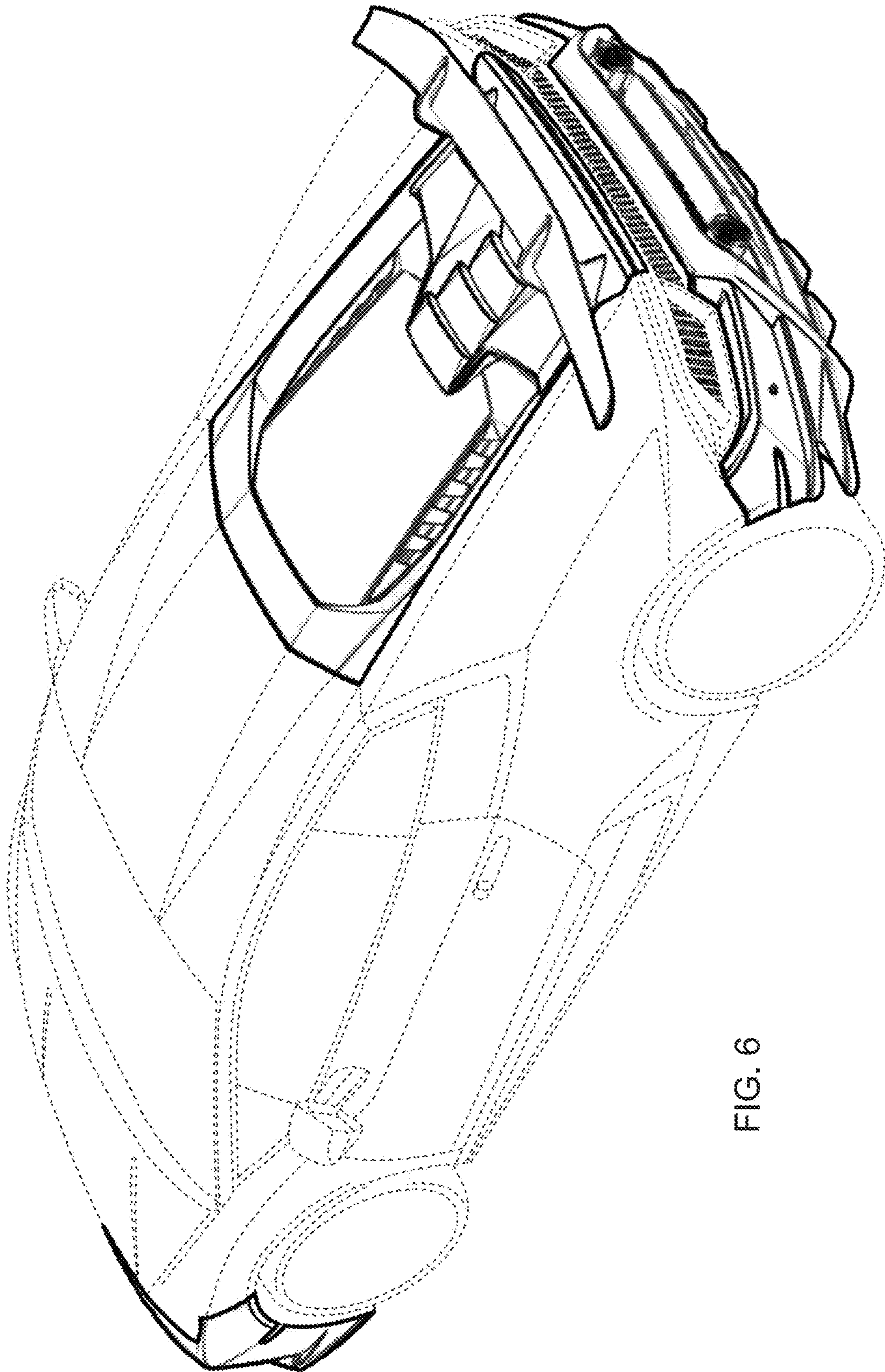


FIG. 6

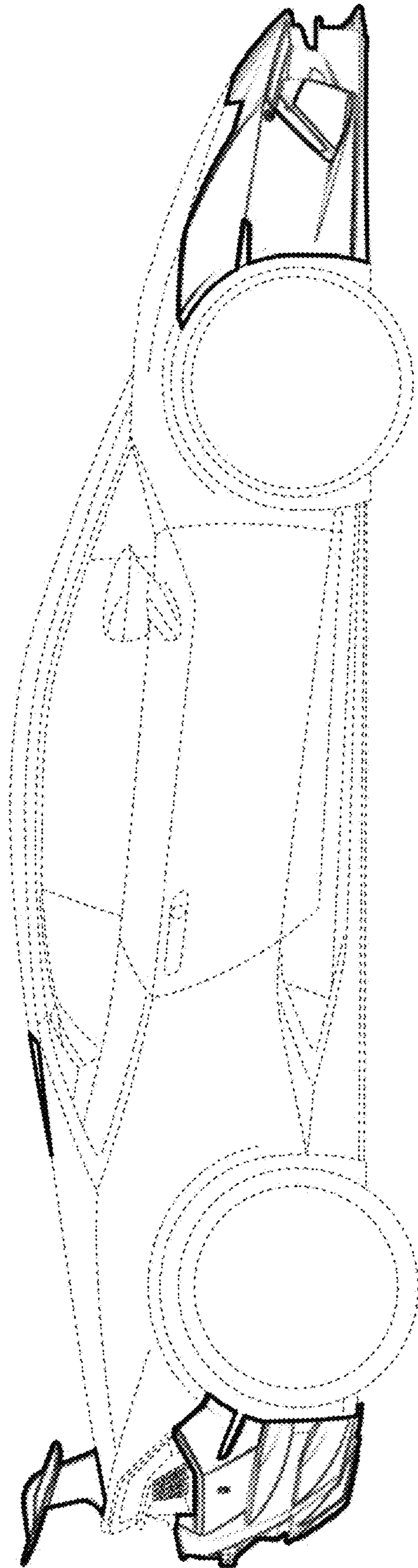


FIG. 7