



US00D820165S

(12) **United States Design Patent**  
**Borkert**

(10) **Patent No.:** **US D820,165 S**  
(45) **Date of Patent:** **\*\* Jun. 12, 2018**

(54) **CAR, TOY REPLICA AND/OR OTHER REPLICA**

(56) **References Cited**

U.S. PATENT DOCUMENTS

(71) Applicant: **AUTOMOBILI LAMBORGHINI S.P.A.**, Sant'Agata Bolognese (Bologna) (IT)

D755,674 S *	5/2016	Perini .....	D12/88
D767,446 S *	9/2016	Stephenson .....	D12/88
D774,415 S *	12/2016	Menegon .....	D12/88
D780,063 S *	2/2017	Stephenson .....	D12/92
D781,747 S *	3/2017	Stephenson .....	D12/88
D781,749 S *	3/2017	Perini .....	D12/88
D790,399 S *	6/2017	Perini .....	D12/92
D791,019 S *	7/2017	Perini .....	D12/92
D795,135 S *	8/2017	Davidson .....	D12/92
D801,227 S *	10/2017	Stephenson .....	D12/92

(72) Inventor: **Mitja Borkert**, Castelnuovo Rangone (IT)

(73) Assignee: **AUTOMOBILI LAMBORGHINI S.p.A.**, Sant'Agata Bolognese (IT)

\* cited by examiner

(\*\*) Term: **15 Years**

*Primary Examiner* — Melody N Brown

(21) Appl. No.: **29/592,927**

(74) *Attorney, Agent, or Firm* — Shuttleworth & Ingersoll, PLC; Timothy Klima

(22) Filed: **Feb. 3, 2017**

(30) **Foreign Application Priority Data**

(57) **CLAIM**

Aug. 4, 2016 (EM) .....	003331412-0001
Aug. 4, 2016 (EM) .....	003331693-0001
Oct. 10, 2016 (EM) .....	003413681-0001
Oct. 10, 2016 (EM) .....	003413723-0001

The ornamental design for a car, toy replica and/or other replica, as shown and described.

(51) **LOC (11) Cl.** ..... **12-08**

**DESCRIPTION**

(52) **U.S. Cl.**  
USPC ..... **D12/92**

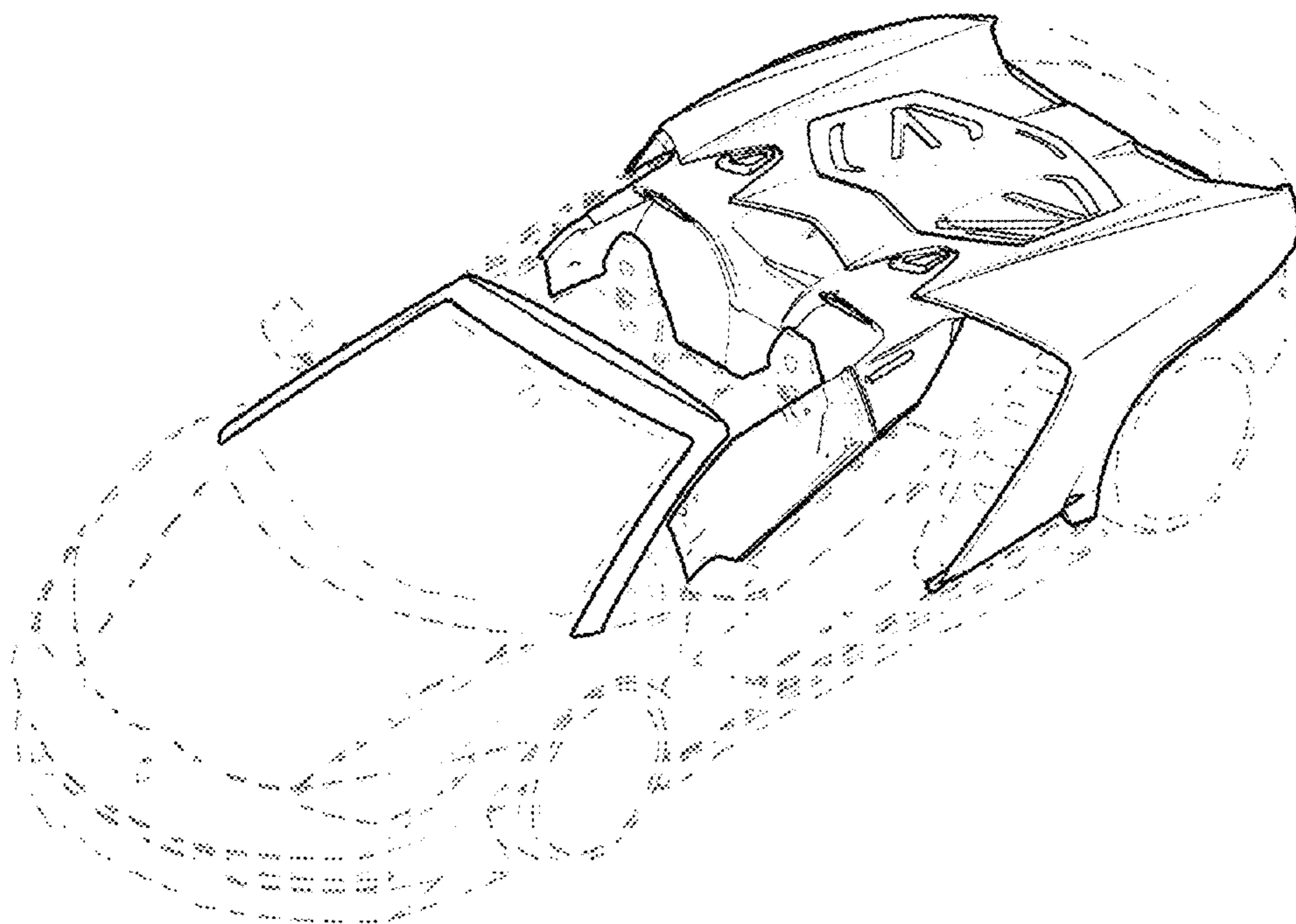
FIG. 1 is a front elevational view of a car, toy replica and/or replica showing my new design;  
FIG. 2 is a rear elevational view thereof;  
FIG. 3 is a rear and left side perspective view thereof;  
FIG. 4 is a front and left side perspective view thereof;  
FIG. 5 is a left side elevational view thereof; and,  
FIG. 6 is a top plan view thereof.

(58) **Field of Classification Search**  
USPC ..... D12/86, 90-92, 88; D21/421, 433, 434;  
296/181.1, 181.5  
CPC ..... B62D 35/00; B62D 25/00; B62D 25/06;  
B62D 33/00

The broken lines in the figures illustrate portions of the car that form no part of the claimed design.

See application file for complete search history.

**1 Claim, 6 Drawing Sheets**



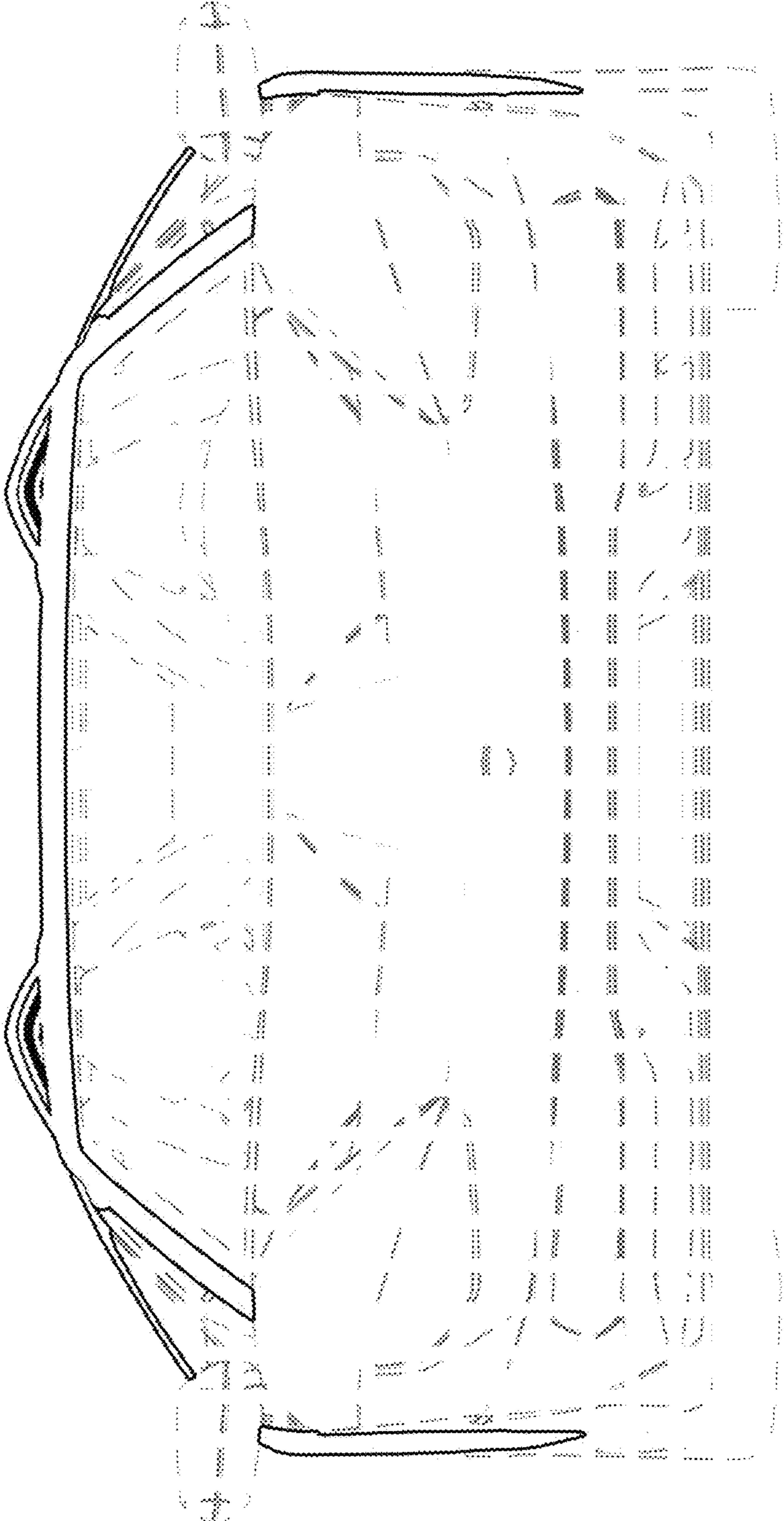


FIG. 1

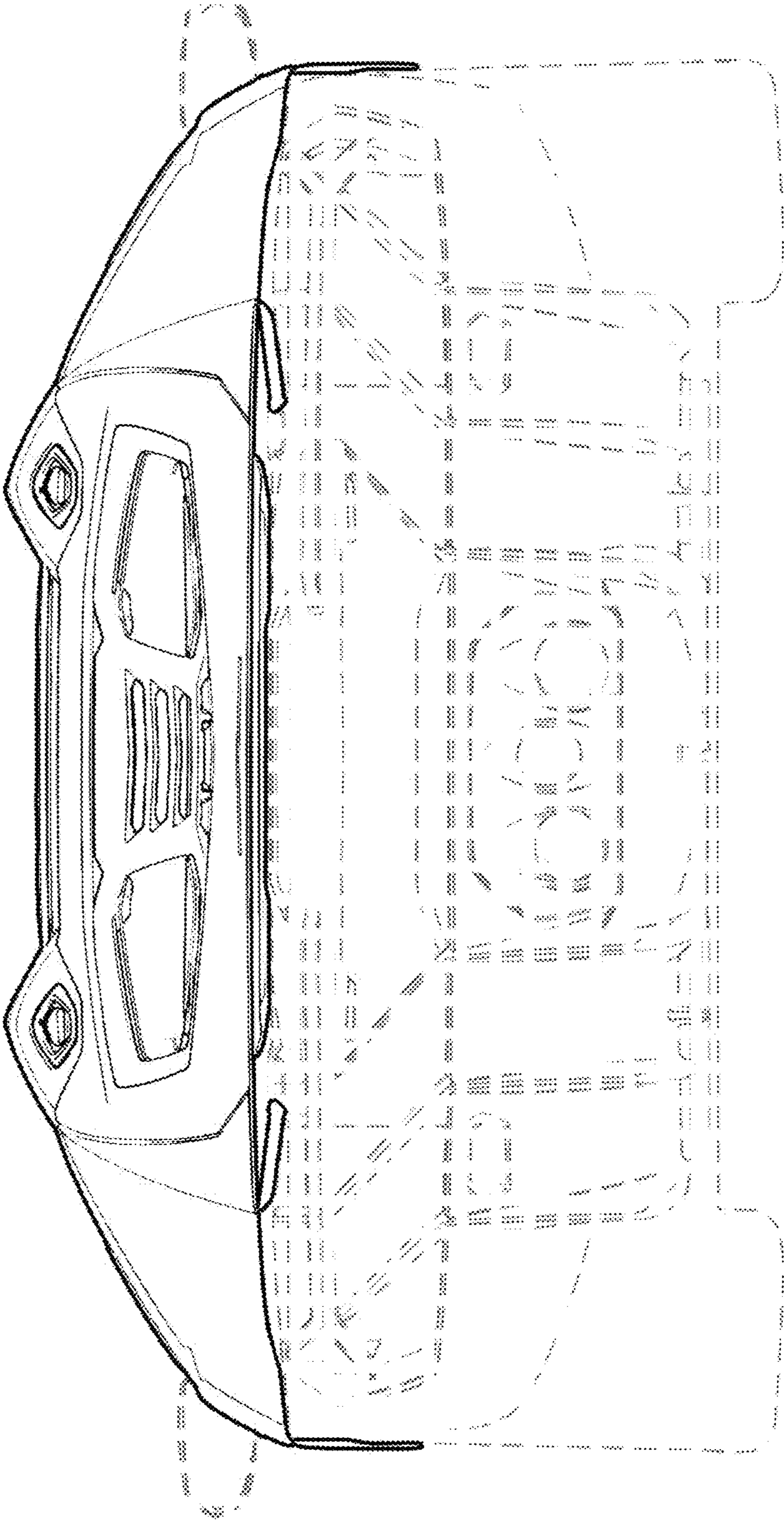


FIG. 2



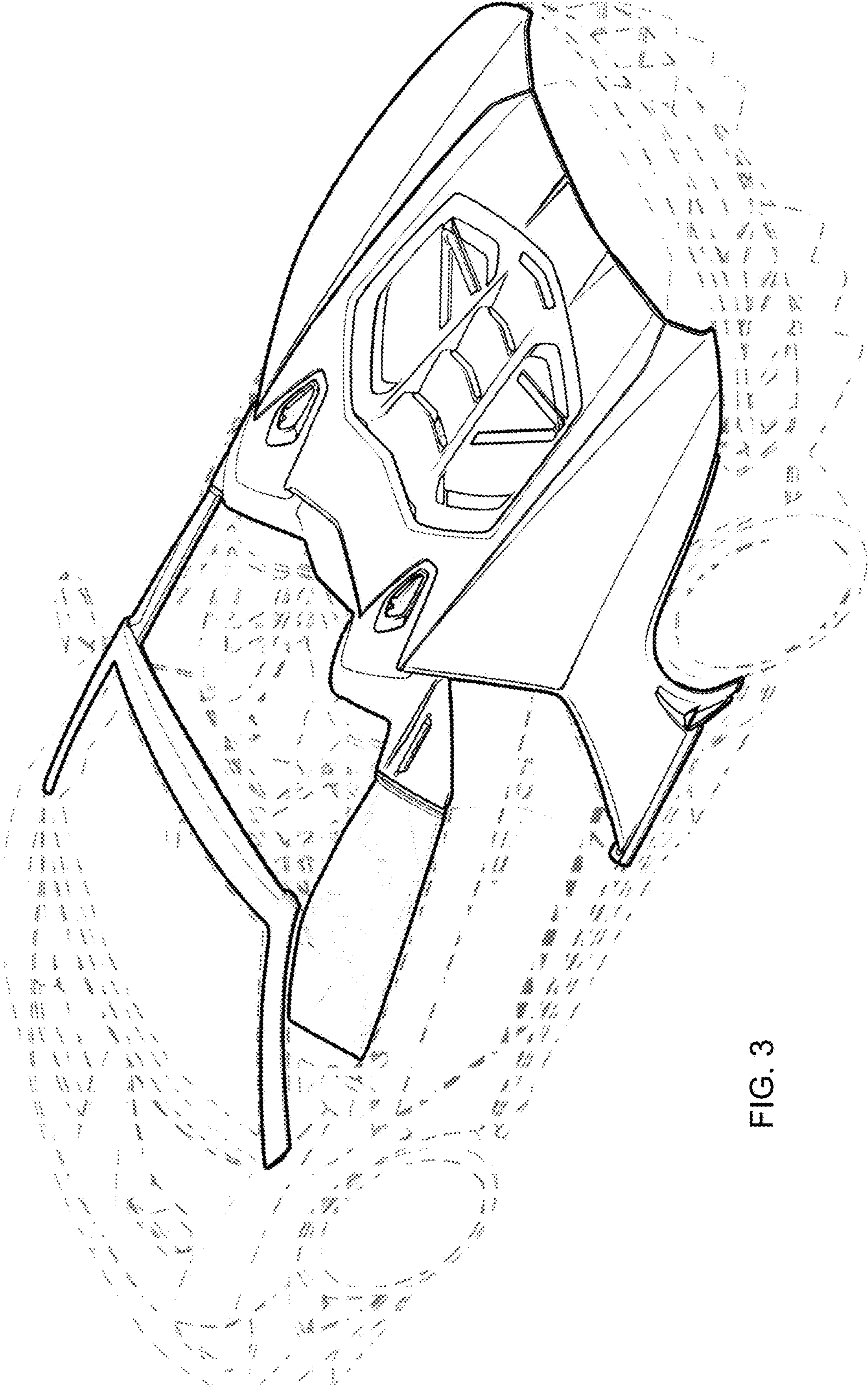


FIG. 3

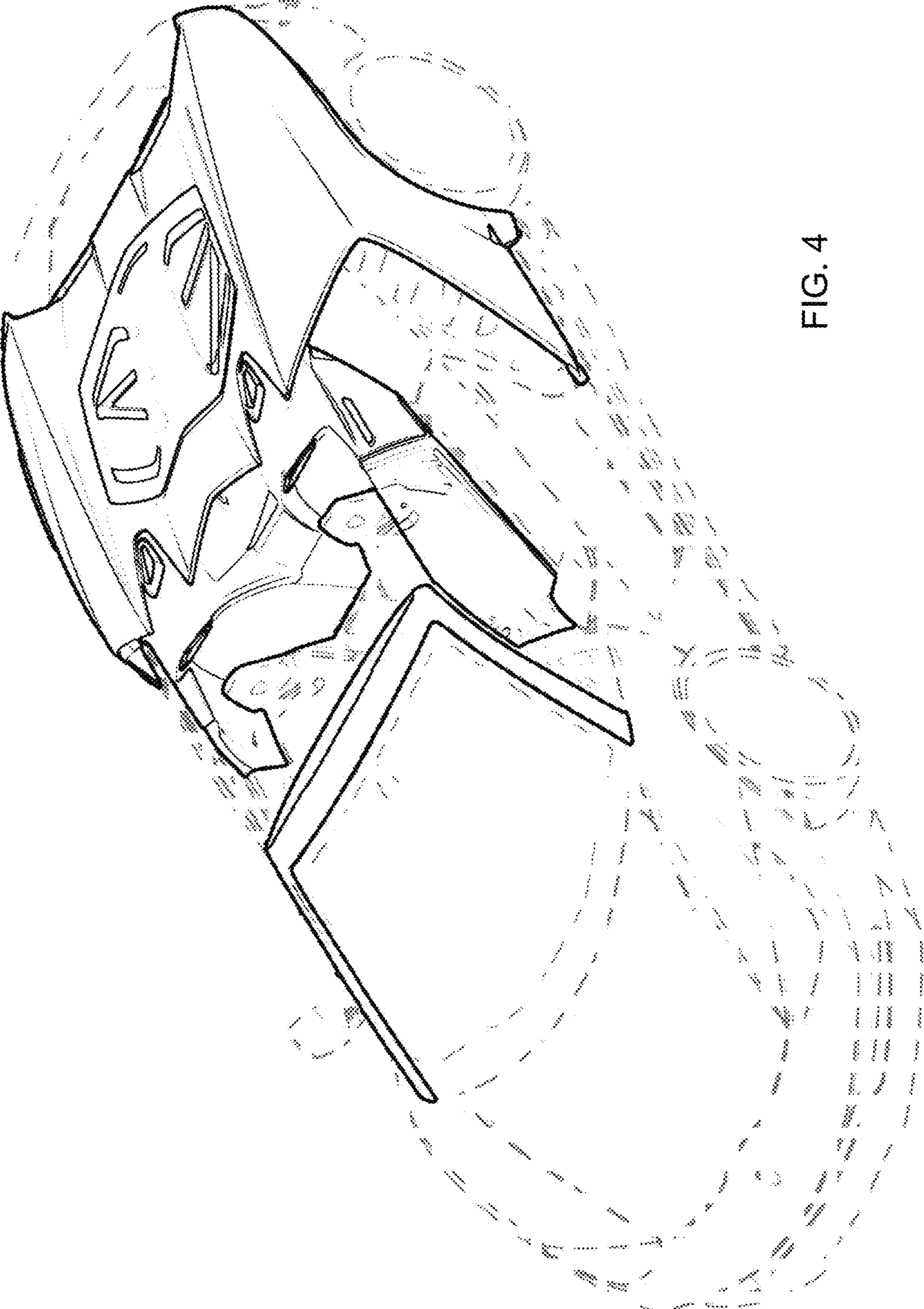


FIG. 4

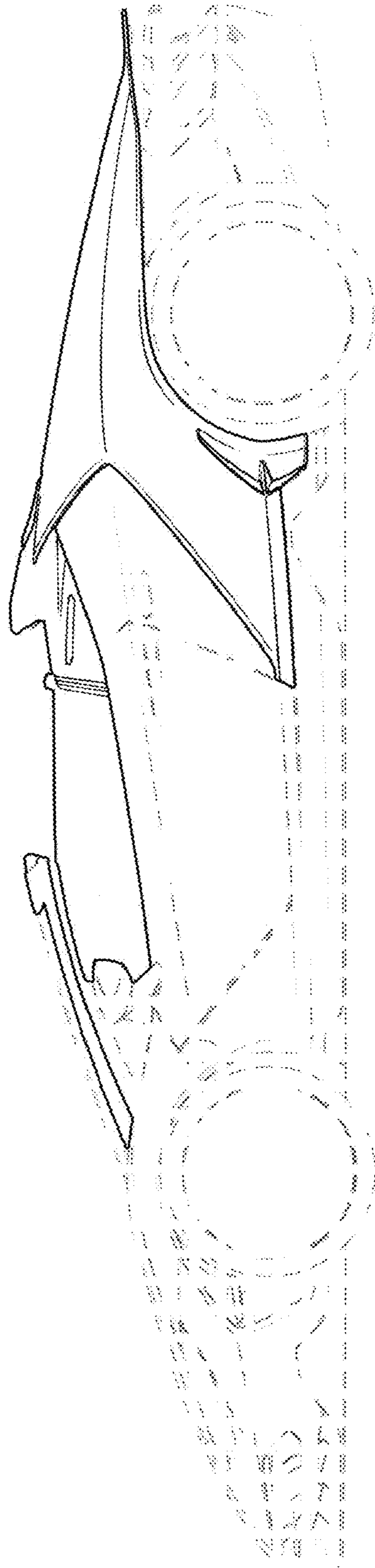


FIG. 5



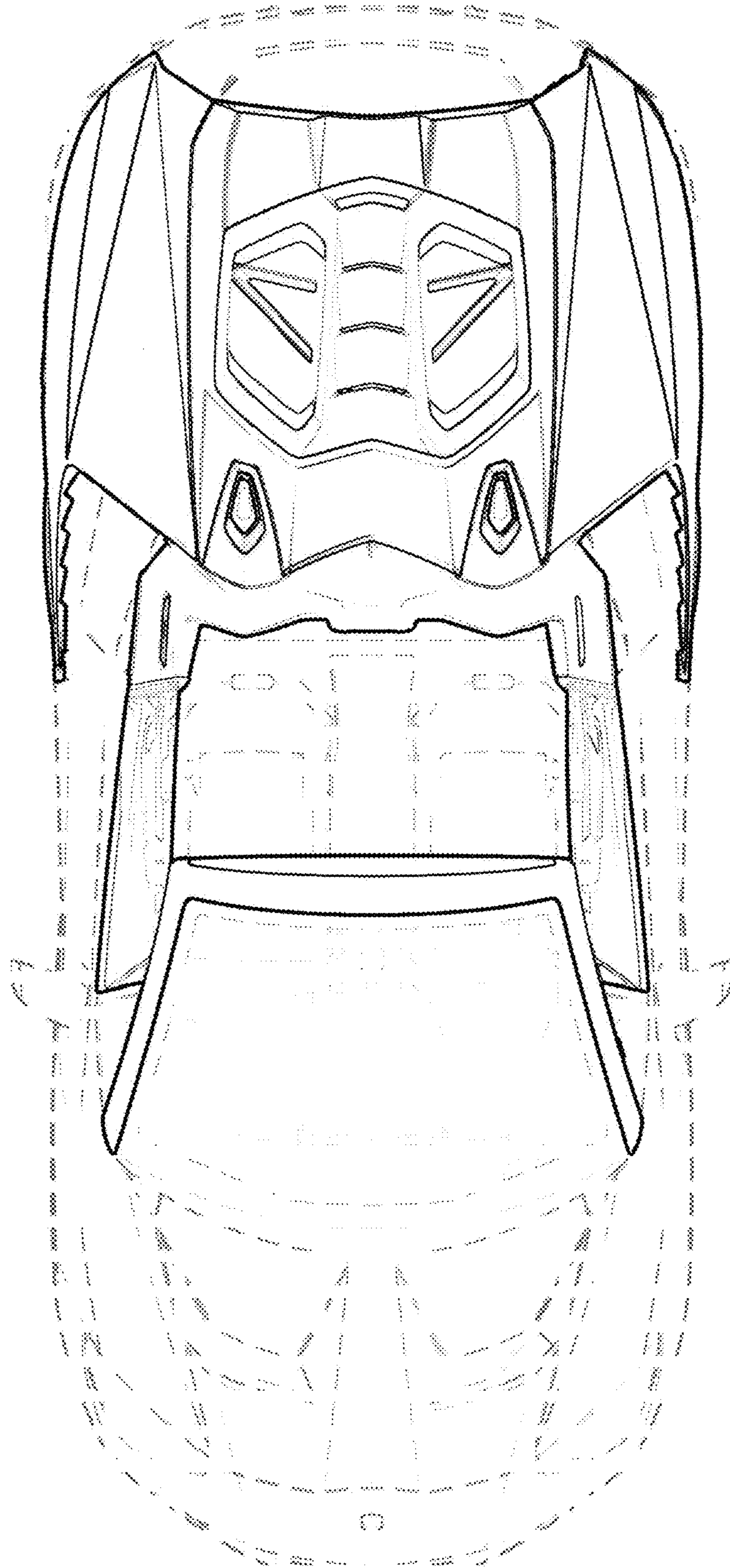


FIG. 6