



US00D820163S

(12) **United States Design Patent**
Woodhouse et al.

(10) **Patent No.:** **US D820,163 S**
(45) **Date of Patent:** **** Jun. 12, 2018**

(54) **VEHICLE EXTERIOR**

(71) Applicant: **Ford Global Technologies, LLC**,
Dearborn, MI (US)
(72) Inventors: **David Woodhouse**, Troy, MI (US);
Earl Lucas, Southfield, MI (US);
Jaewoo Chang, Novi, MI (US);
Nonthawat Kongsari, Melbourne (AU)

(73) Assignee: **Ford Global Technologies, LLC**,
Dearborn, MI (US)

(**) Term: **15 Years**

(21) Appl. No.: **29/597,047**

(22) Filed: **Mar. 14, 2017**

(51) **LOC (11) Cl.** **12-08**

(52) **U.S. Cl.**
USPC **D12/91**

(58) **Field of Classification Search**
USPC D12/86, 90-92, 88; D21/421, 433, 434;
296/181.1, 181.5
CPC B62D 35/00; B62D 25/00; B62D 25/06;
B62D 33/00
See application file for complete search history.

(56) **References Cited**

U.S. PATENT DOCUMENTS

D725,550 S 3/2015 Wolff et al.
D727,210 S * 4/2015 Grake D12/91

D728,424 S * 5/2015 Rupar D12/91
D728,426 S * 5/2015 Di Buduo D12/91
D736,120 S * 8/2015 Blanski D12/91
D741,224 S * 10/2015 Rupar D12/91
D741,752 S * 10/2015 Messale D12/91
D743,303 S * 11/2015 Huang D12/91
D746,175 S * 12/2015 Wolff D12/91
D754,563 S * 4/2016 Behmer D12/91
D770,942 S * 11/2016 Woodhouse D12/92
D793,283 S * 8/2017 Woodhouse D12/91

* cited by examiner

Primary Examiner — Melody N Brown

(74) *Attorney, Agent, or Firm* — James Dottavio

(57) **CLAIM**

The ornamental design for a vehicle exterior, as shown and described.

DESCRIPTION

FIG. 1 is a top, front and left side perspective view of a vehicle exterior showing our new design;
FIG. 2 is a top, rear and left side perspective view thereof;
FIG. 3 is a front elevational view thereof;
FIG. 4 is a rear elevational view thereof;
FIG. 5 is a left side elevational view thereof;
FIG. 6 is a right side elevational view thereof; and,
FIG. 7 is a top plan view thereof.

1 Claim, 7 Drawing Sheets

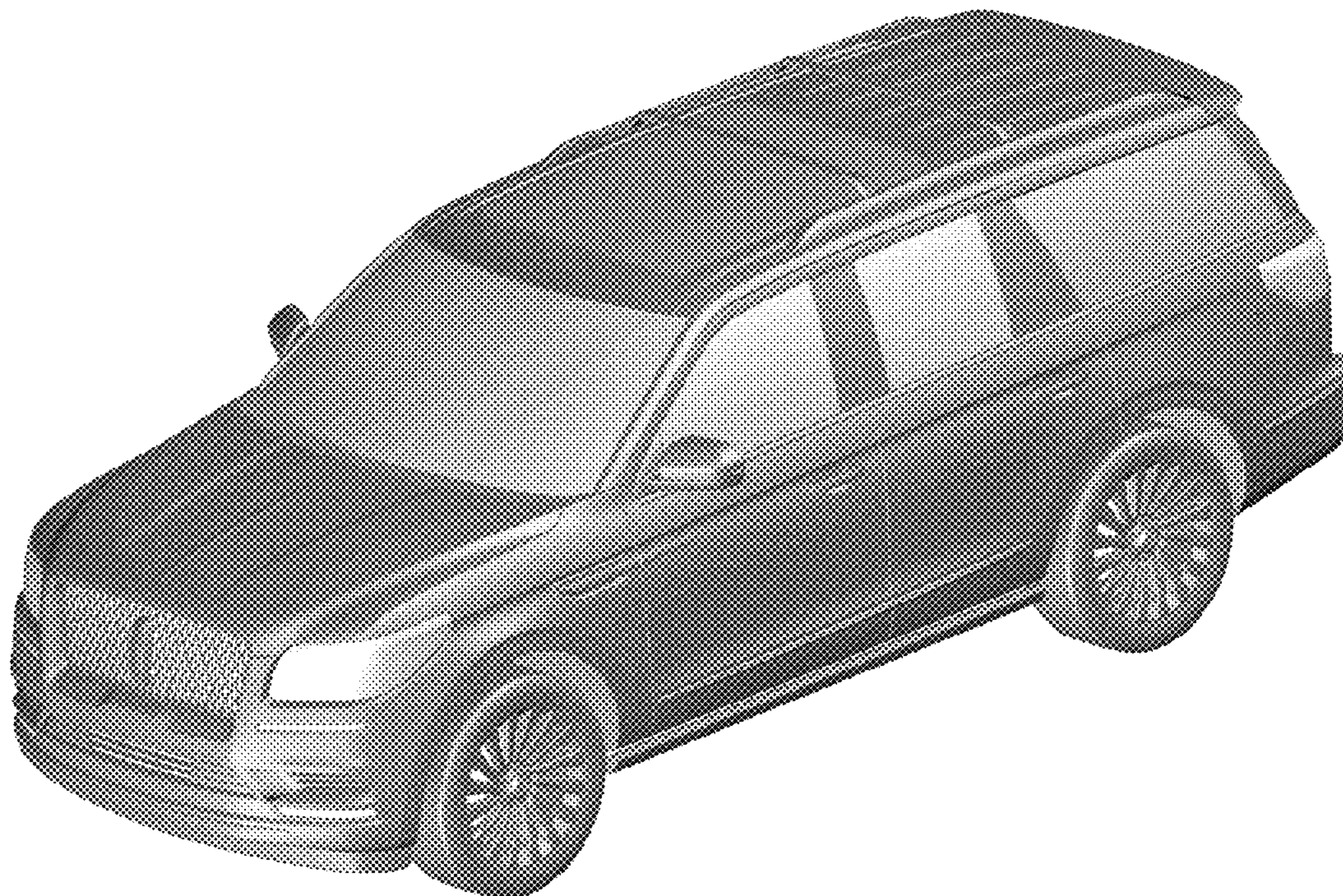




Figure 1

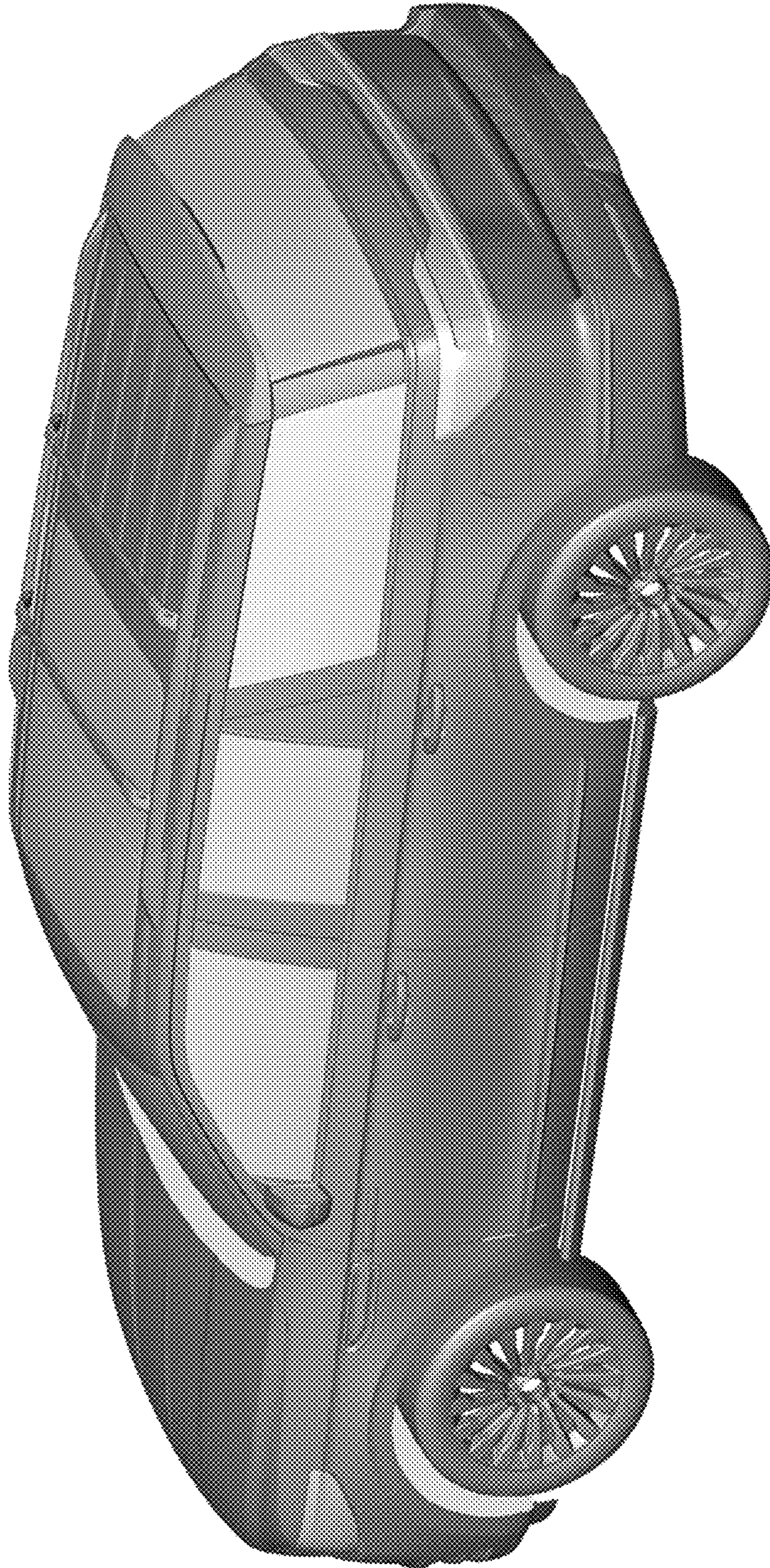


Figure 2



Figure 3

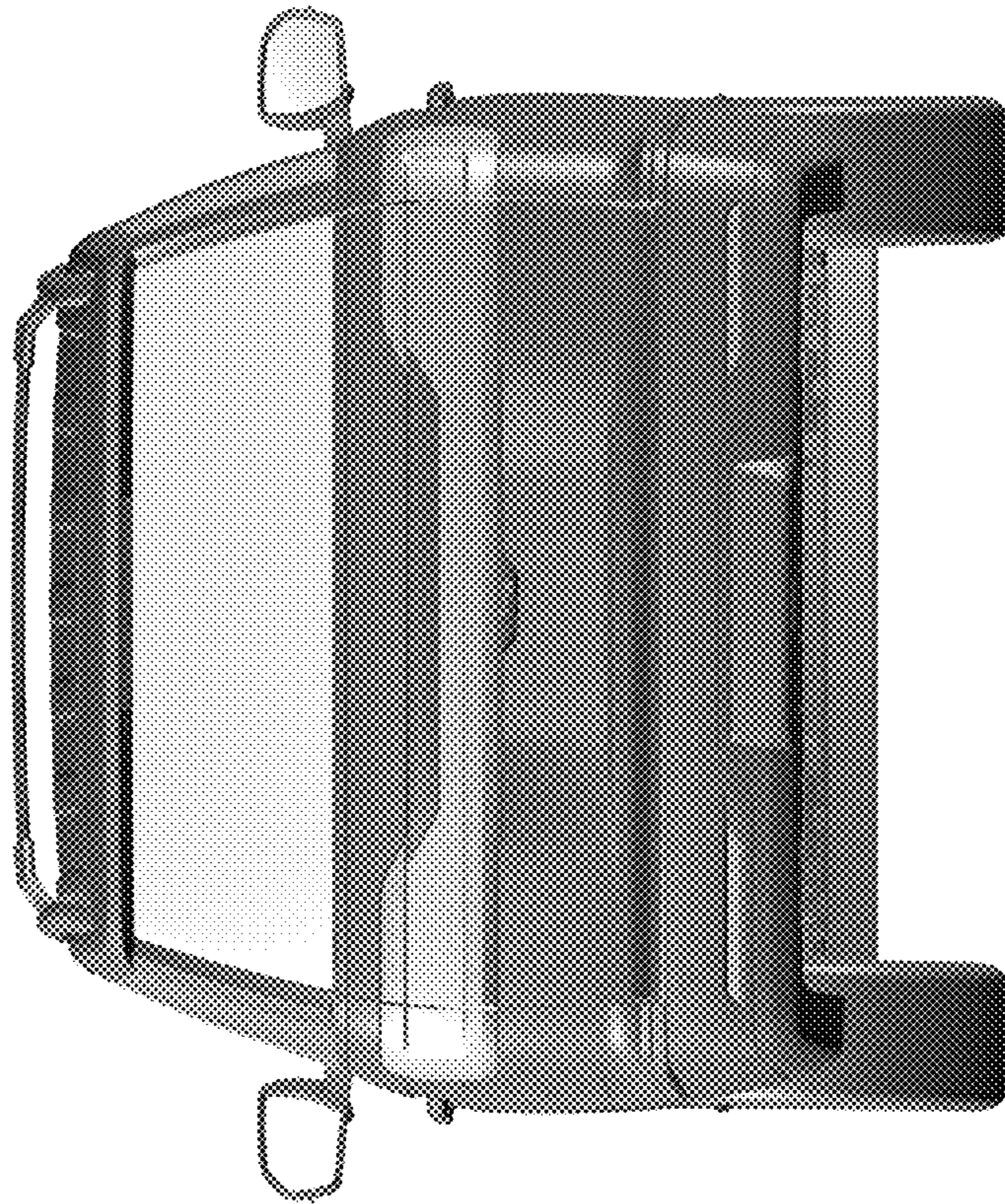


Figure 4



Figure 5



Figure 6



Figure 7