



US00D820160S

(12) **United States Design Patent** (10) **Patent No.:** **US D820,160 S**
Smock et al. (45) **Date of Patent:** **** Jun. 12, 2018**

(54) **VEHICLE AND/OR REPLICA**
(71) Applicant: **Honda Motor Co., Ltd.**, Minato-ku, Tokyo (JP)
(72) Inventors: **Randall Smock**, Redondo Beach, CA (US); **Catalin Matei**, Redondo Beach, CA (US)
(73) Assignee: **HONDA MOTOR CO., LTD.**, Tokyo (JP)
(**) Term: **15 Years**
(21) Appl. No.: **29/566,162**
(22) Filed: **May 27, 2016**
(51) **LOC (11) Cl.** **12-08**
(52) **U.S. Cl.**
USPC **D12/91**
(58) **Field of Classification Search**
USPC D12/86, 90-92, 88; D21/421, 433, 434; 296/181.1, 181.5
CPC B62D 35/00; B62D 25/00; B62D 25/06; B62D 33/00
See application file for complete search history.

D776,006 S * 1/2017 Uchiyama D12/91
D776,009 S * 1/2017 Murakami D12/91
D780,065 S * 2/2017 Suzuki D12/91
D781,180 S * 3/2017 Minami D12/91
D784,857 S * 4/2017 Ishii D12/91
D795,744 S * 8/2017 Sahara D12/91

FOREIGN PATENT DOCUMENTS

JP D1524785 S 6/2015
TW D163659 S 10/2014
TW D164303 S 11/2014
TW D164958 S 12/2014

OTHER PUBLICATIONS

Taiwanese Search Report of related Taiwanese application No. 105307176 dated Jun. 21, 2017.

* cited by examiner

Primary Examiner — Melody N Brown
(74) *Attorney, Agent, or Firm* — Arent Fox LLP

(57) **CLAIM**

The ornamental design for a vehicle and/or replica, as shown and described.

DESCRIPTION

FIG. 1 is a left, rear perspective view of a vehicle and/or replica showing our new design;
FIG. 2 is a right, rear perspective view thereof;
FIG. 3 is a right, front perspective view thereof;
FIG. 4 is a left, front perspective view thereof;
FIG. 5 is a rear elevational view thereof;
FIG. 6 is a front elevational view thereof;
FIG. 7 is a left side elevational view thereof;
FIG. 8 is a right side elevational view thereof;
FIG. 9 is a top plan view thereof; and,
FIG. 10 is a bottom plan view thereof.

1 Claim, 10 Drawing Sheets

(56) **References Cited**

U.S. PATENT DOCUMENTS

D691,073 S * 10/2013 Takahashi D12/164
D714,686 S 10/2014 Bischoff et al.
D715,692 S 10/2014 Kobayashi et al.
D728,422 S * 5/2015 Minami D12/91
D728,424 S 5/2015 Rupar et al.
D734,690 S * 7/2015 Ahn D12/91
D735,611 S * 8/2015 Aengenheyster D12/91
D742,281 S * 11/2015 Ishii D12/91
D744,377 S * 12/2015 Minami D12/91
D759,540 S * 6/2016 Davidson D12/91
D761,693 S * 7/2016 Lian D12/91
D770,941 S * 11/2016 Jeon D12/91

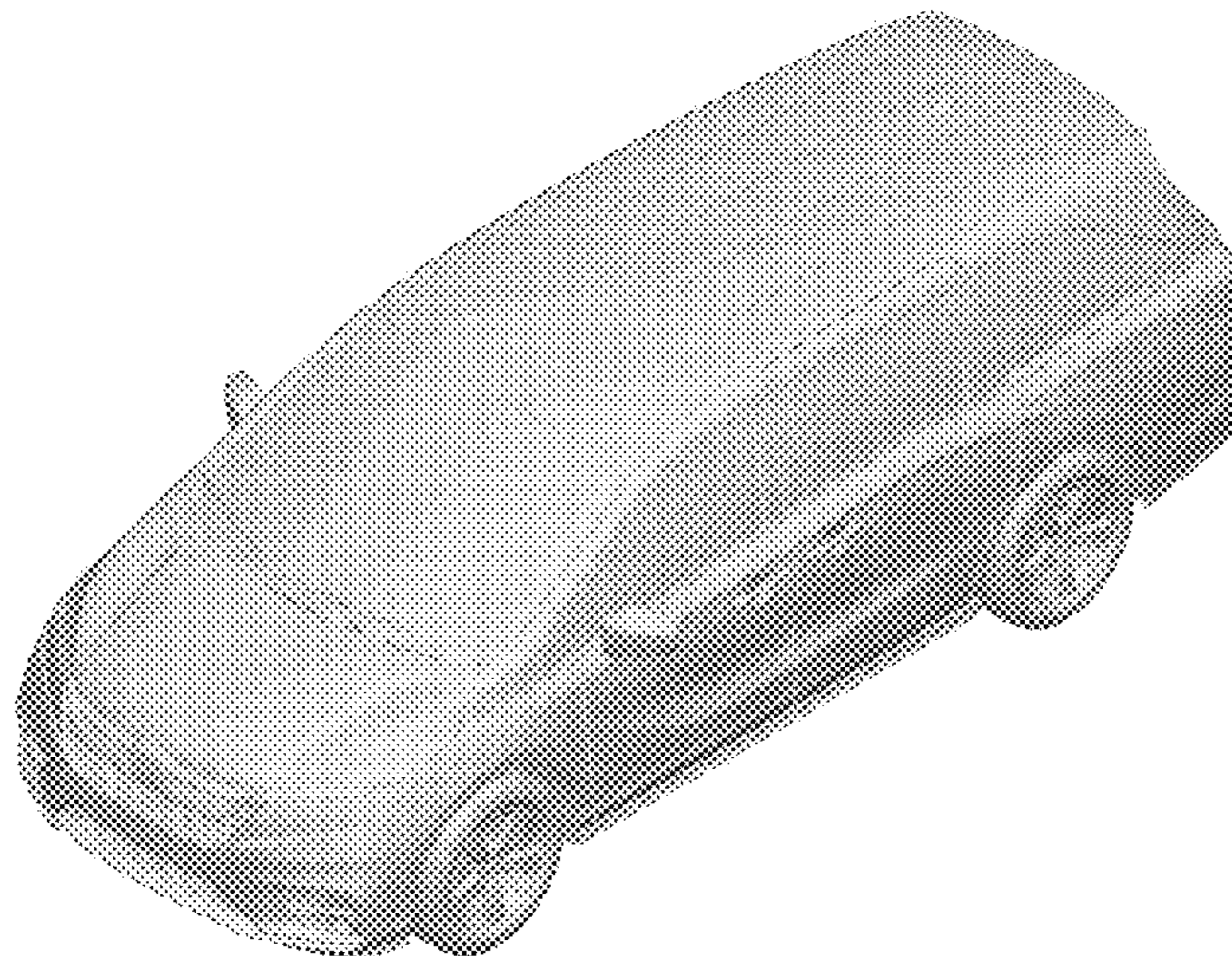




FIGURE 1



FIGURE 2

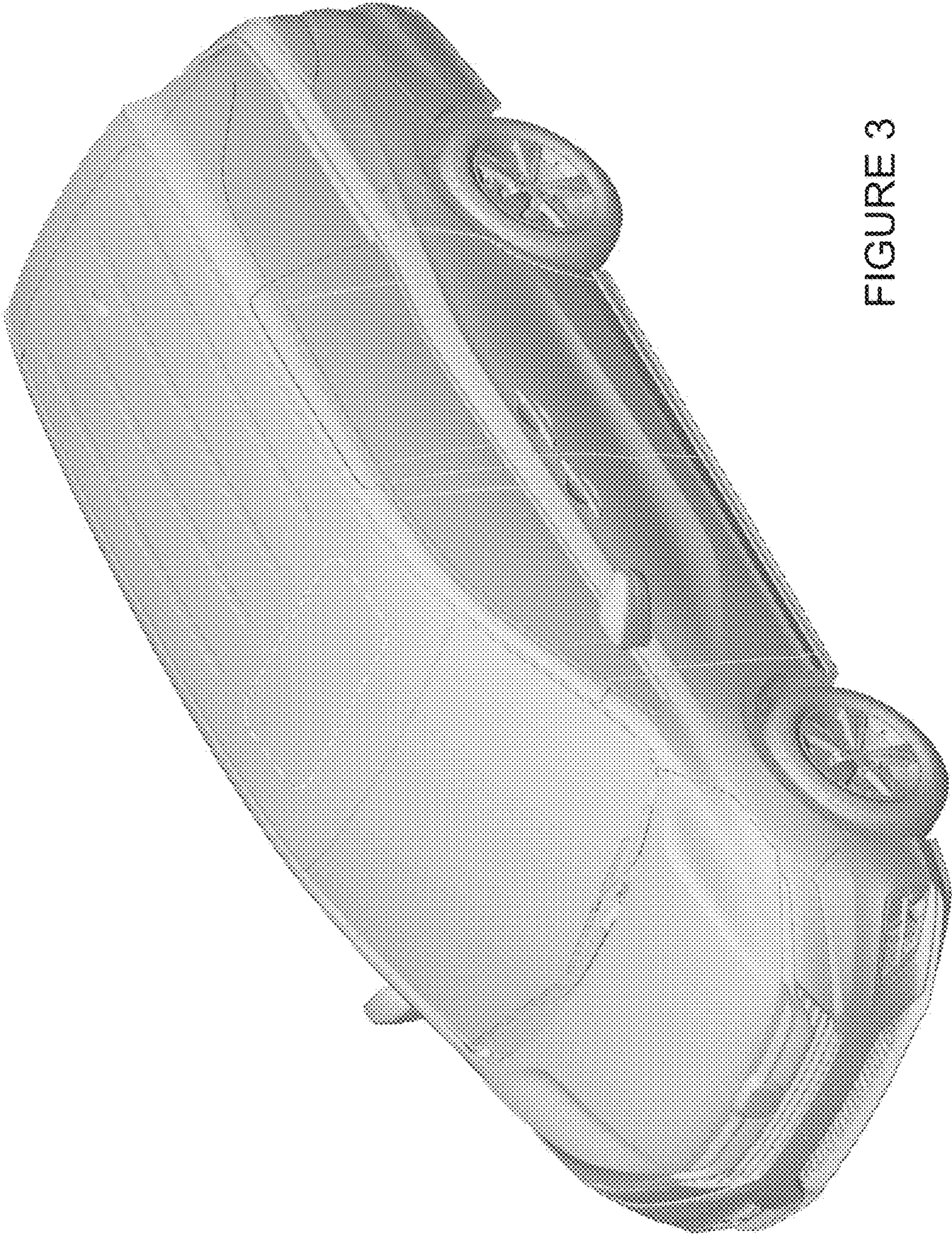


FIGURE 3

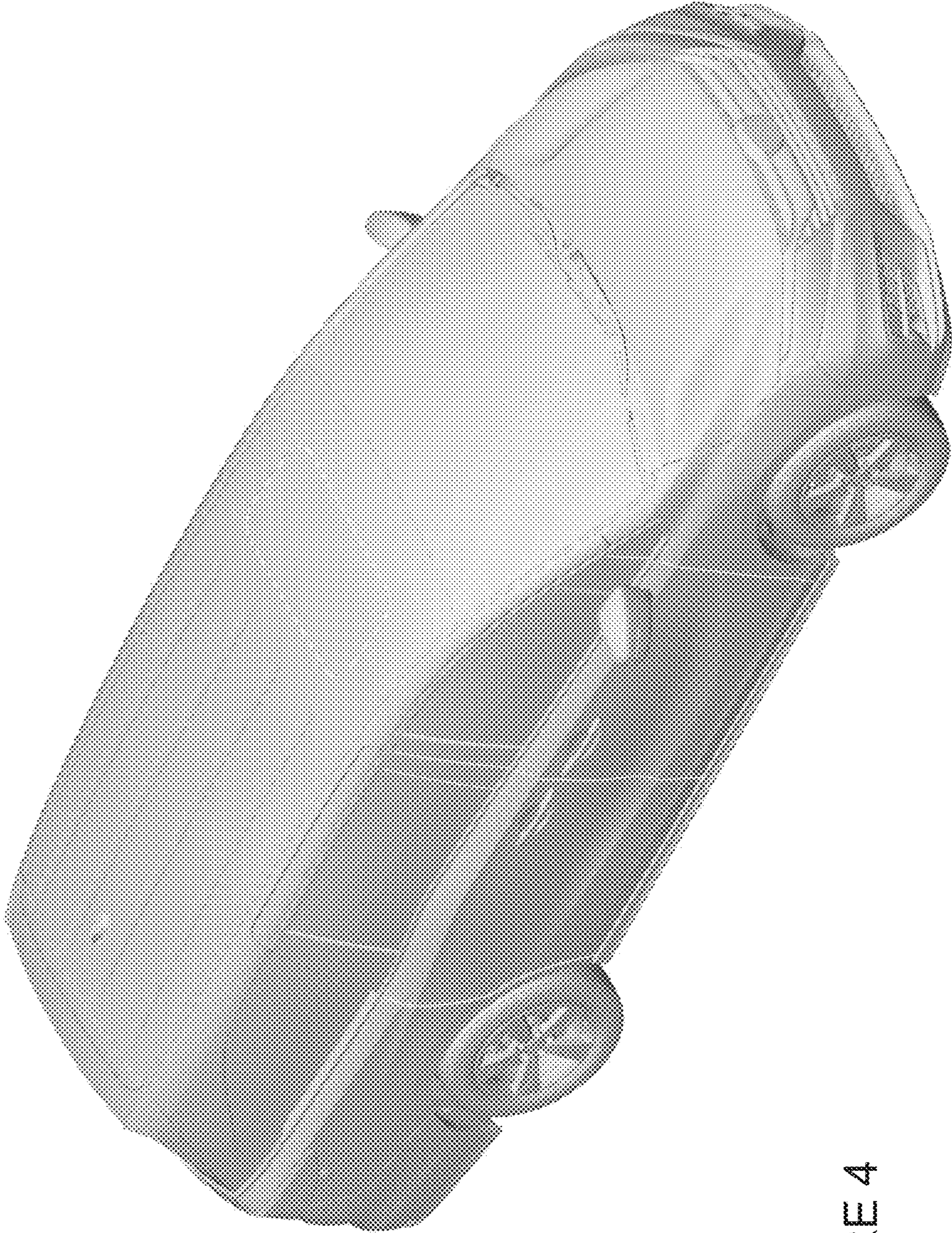


FIGURE 4

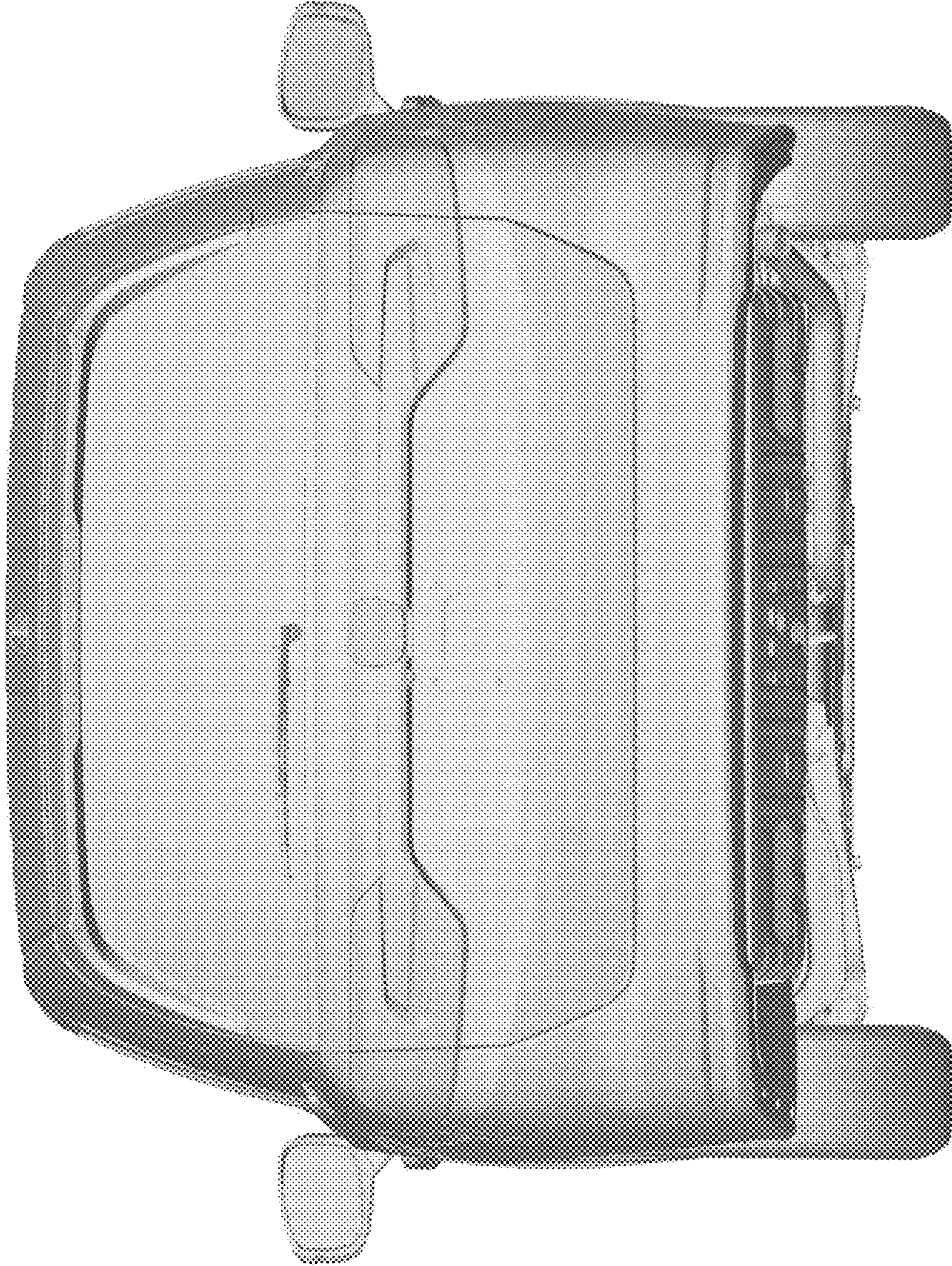


FIGURE 5



FIGURE 6



FIGURE 7



FIGURE 8



FIGURE 9

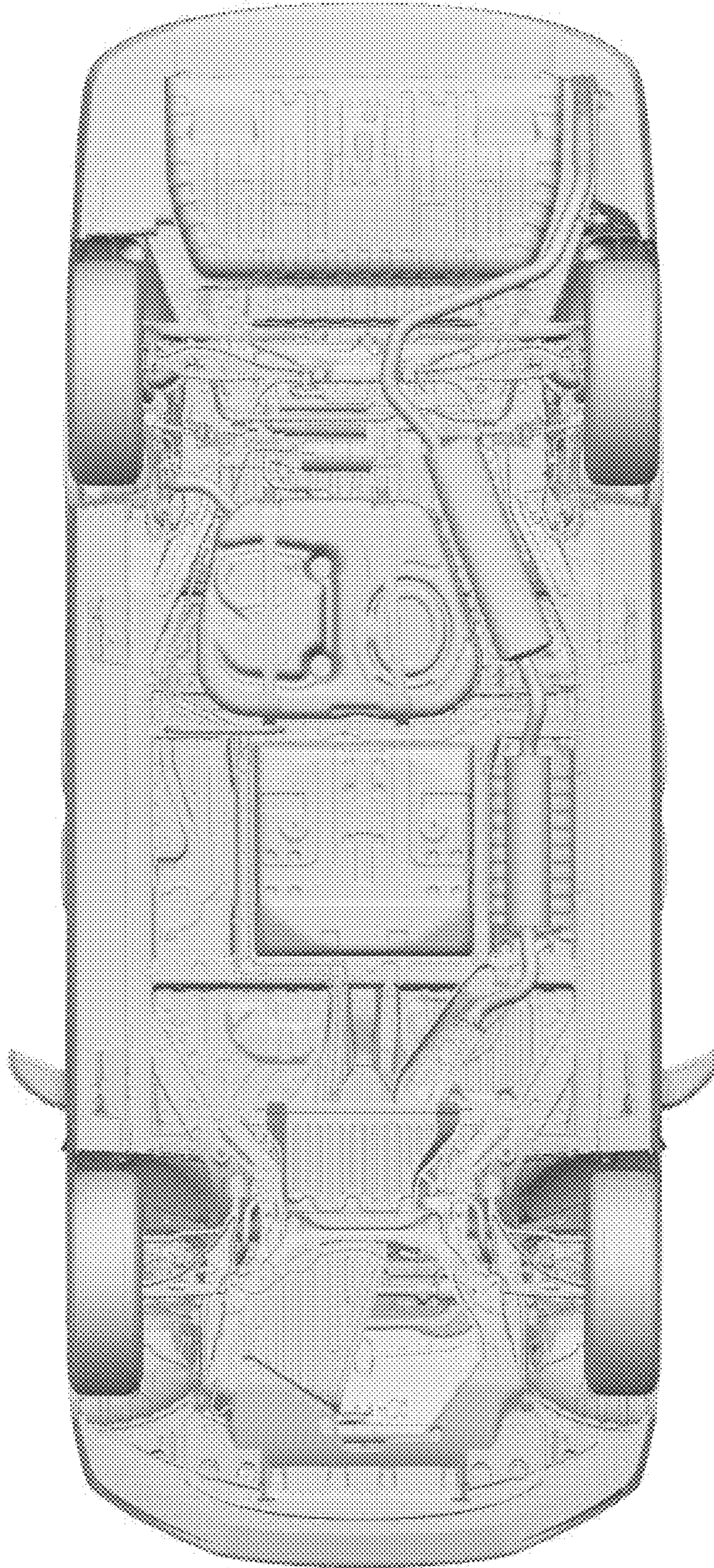


FIGURE 10