



US00D820159S

(12) **United States Design Patent**
Cavalieri D'oro

(10) **Patent No.:** **US D820,159 S**
(45) **Date of Patent:** **** Jun. 12, 2018**

- (54) **SPECIAL PURPOSE VEHICLE**
- (71) Applicant: **VS SPECIAL DESIGN S.R.L.**, Leini (IT)
- (72) Inventor: **Davide Cavalieri D'oro**, Leini (IT)
- (73) Assignee: **VS SPECIAL DESIGN S.R.L.**, Leini (IT)
- (**) Term: **15 Years**
- (21) Appl. No.: **29/566,750**
- (22) Filed: **Jun. 2, 2016**
- (51) **LOC (11) Cl.** **12-08**
- (52) **U.S. Cl.**
USPC **D12/85**; D12/14
- (58) **Field of Classification Search**
USPC D12/1, 2, 12, 14, 85, 86, 93, 96, 99;
D21/14, 424, 433, 434
CPC B60P 3/007; B60P 3/14
See application file for complete search history.

- D640,598 S * 6/2011 Zhang D12/1
- D642,493 S * 8/2011 Goebert D12/87
- D643,340 S * 8/2011 Pottieri D12/98
- D650,310 S * 12/2011 Varotsos D12/1
- D652,353 S * 1/2012 Cohen D12/93
- D653,993 S * 2/2012 Cohen D12/93
- D656,866 S * 4/2012 Wise D12/93
- D712,309 S * 9/2014 Wu D12/14
- D714,186 S * 9/2014 Wu D12/14
- D724,997 S * 3/2015 Brew D12/14
- D735,077 S * 7/2015 Sato D12/87
- D755,077 S * 5/2016 Lyons D12/14
- D764,350 S * 8/2016 Okuyama D12/14
- D764,972 S * 8/2016 Gonzalez D12/14
- D764,974 S * 8/2016 Mikhailov D12/14
- 9,481,283 B2 * 11/2016 Cohen B60R 13/00
- 9,650,078 B2 * 5/2017 Kinsman B62D 21/183

* cited by examiner

Primary Examiner — Darlington Ly
(74) *Attorney, Agent, or Firm* — Robert L. Stearns;
Dickinson Wright, PLLC

(57) **CLAIM**

The ornamental design for a special purpose vehicle, as shown and described.

(56) **References Cited**

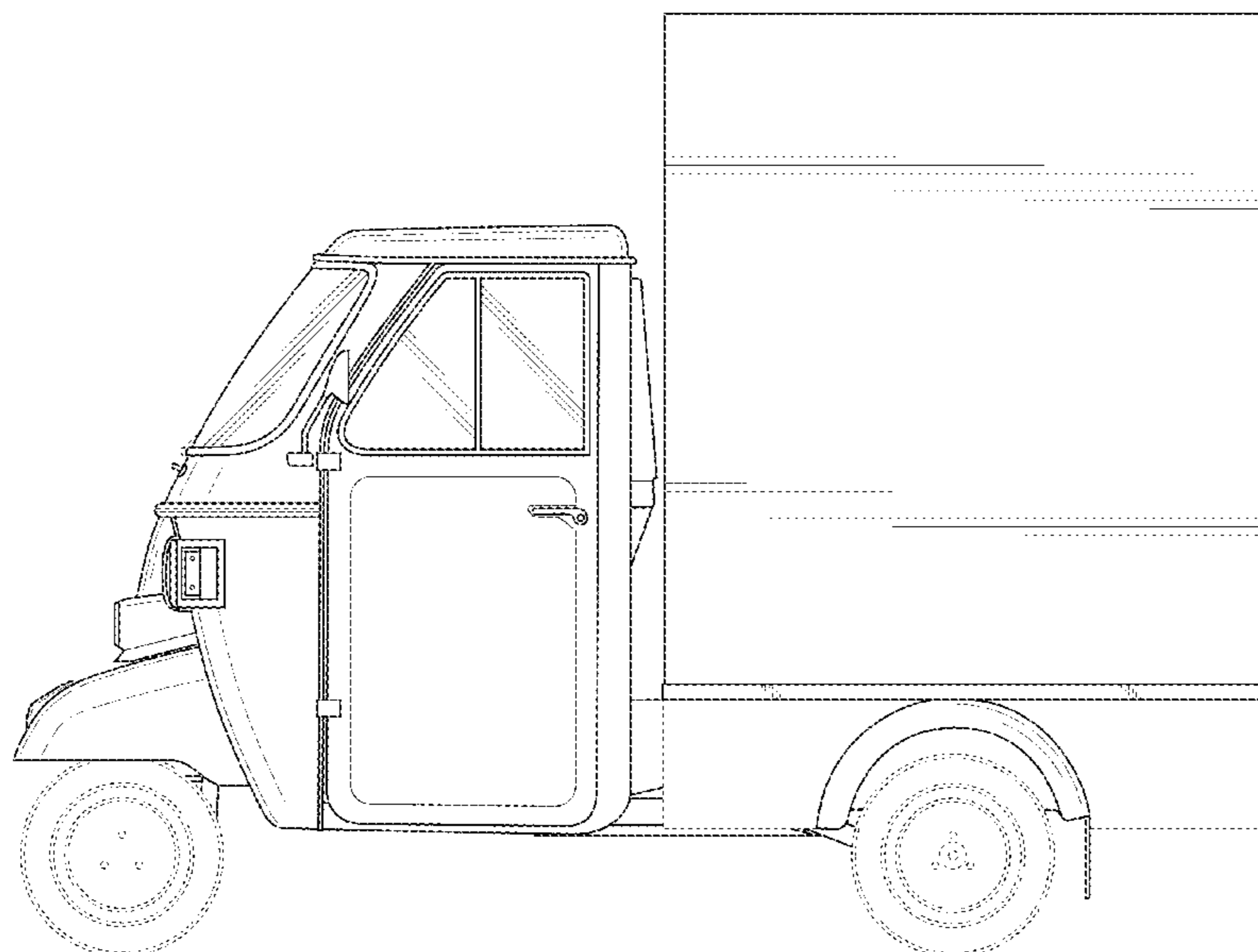
U.S. PATENT DOCUMENTS

- 4,362,329 A * 12/1982 Laube B60P 3/14
296/165
- D291,872 S * 9/1987 Simons 296/180.2
- D297,626 S * 9/1988 London D12/89
- D309,281 S * 7/1990 Tisten D12/99
- D364,590 S * 11/1995 Yamashita D12/14
- D436,557 S * 1/2001 Selby D12/14
- D439,548 S * 3/2001 Kouchi D12/1
- D491,844 S * 6/2004 Poulin D12/93
- D494,890 S * 8/2004 Katoh D12/14
- D521,413 S * 5/2006 Katoh D12/1
- D586,694 S * 2/2009 Huang D12/14
- D614,999 S * 5/2010 Schneider D12/93
- D621,423 S * 8/2010 Nakanishi D12/14

DESCRIPTION

FIG. 1 is a left side elevational view of a special purpose vehicle showing my new design;
FIG. 2 is a right side elevational view thereof;
FIG. 3 is a top plan view thereof;
FIG. 4 is a front elevational view thereof;
FIG. 5 is a rear elevational view thereof;
FIG. 6 is a front perspective view thereof; and,
FIG. 7 is rear perspective view thereof.
The broken lines in the drawings illustrate portions of the special purpose vehicle as shown and described.

1 Claim, 7 Drawing Sheets



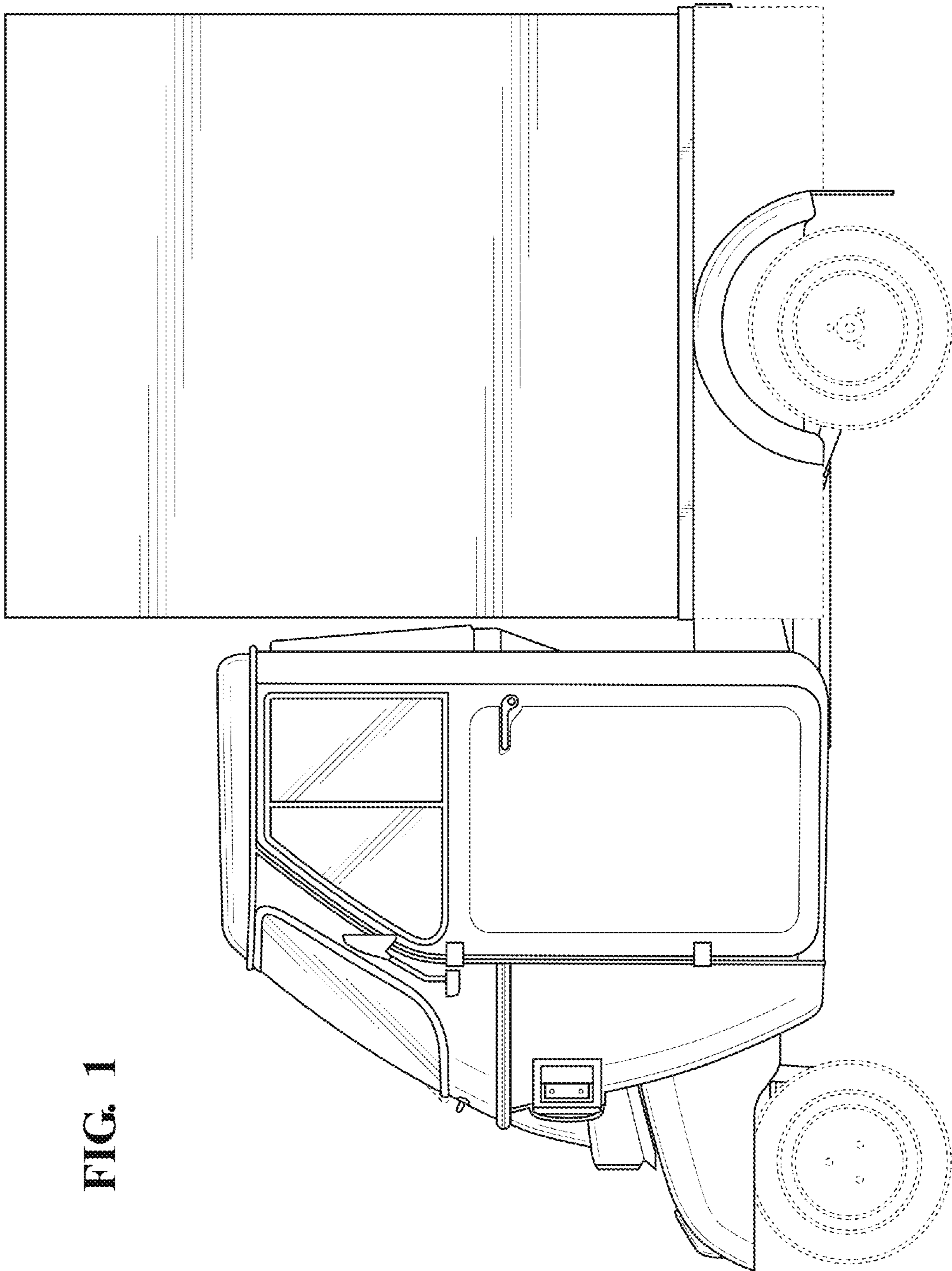
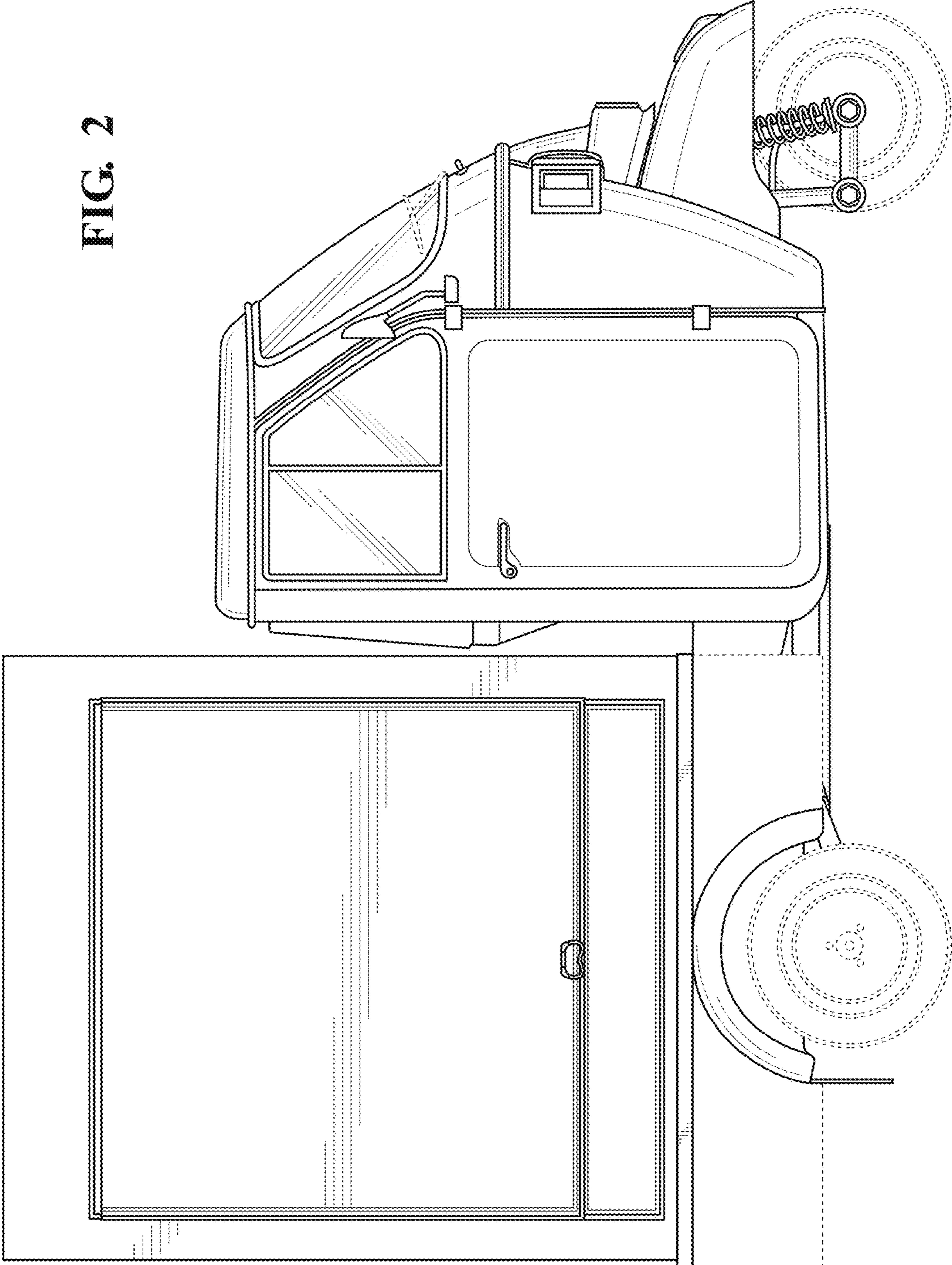


FIG. 1

FIG. 2



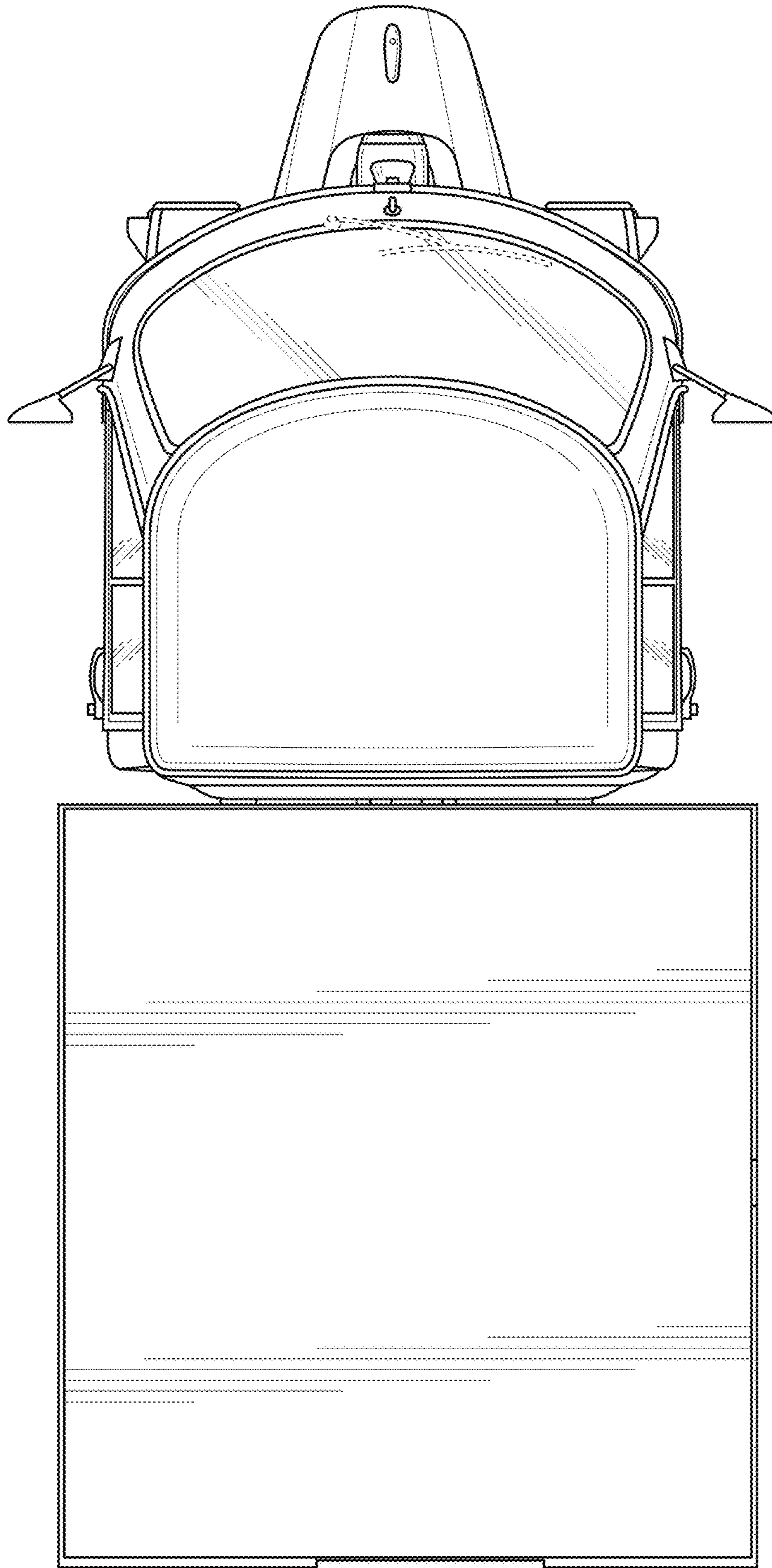


FIG. 3

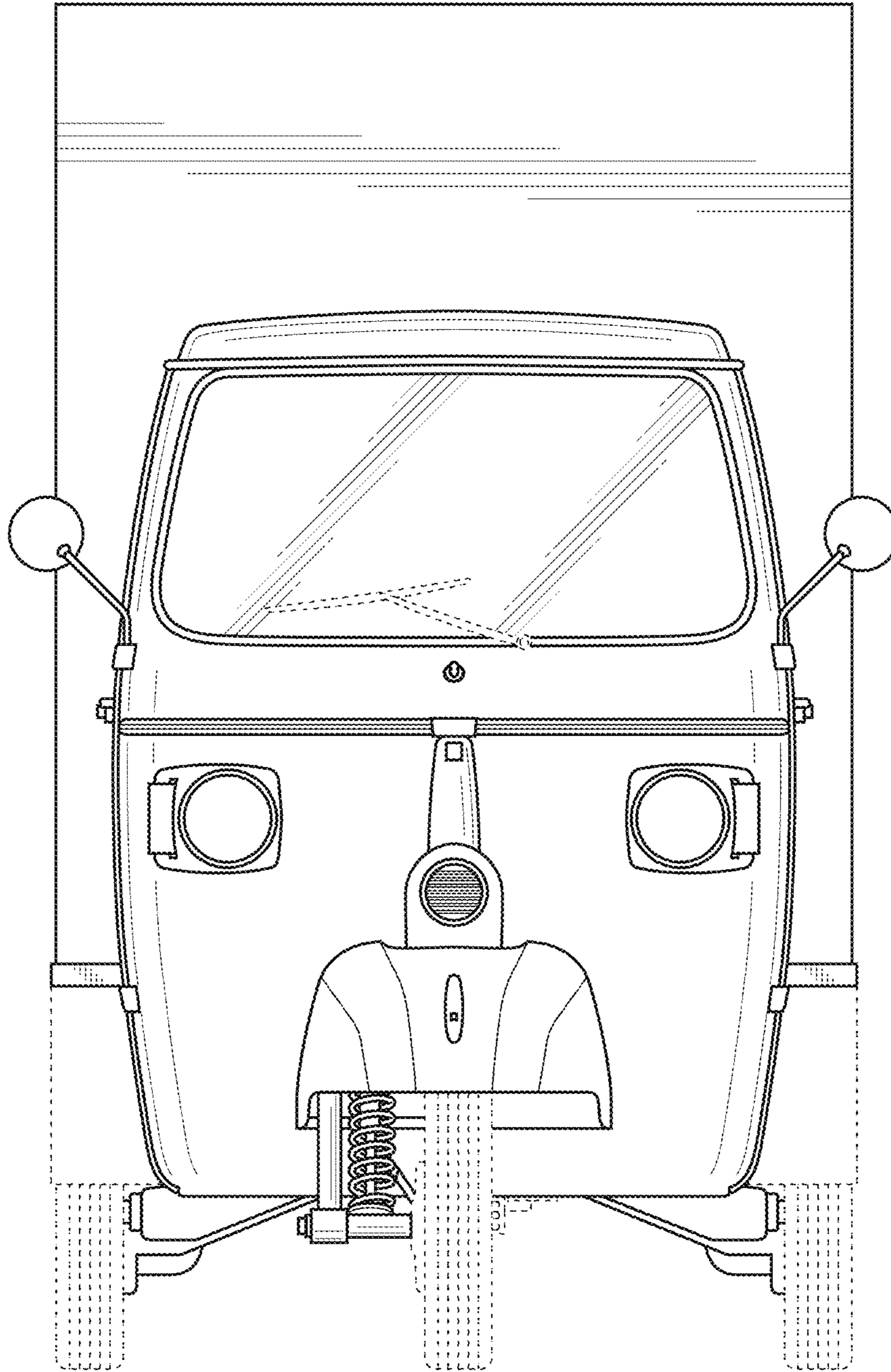


FIG. 4

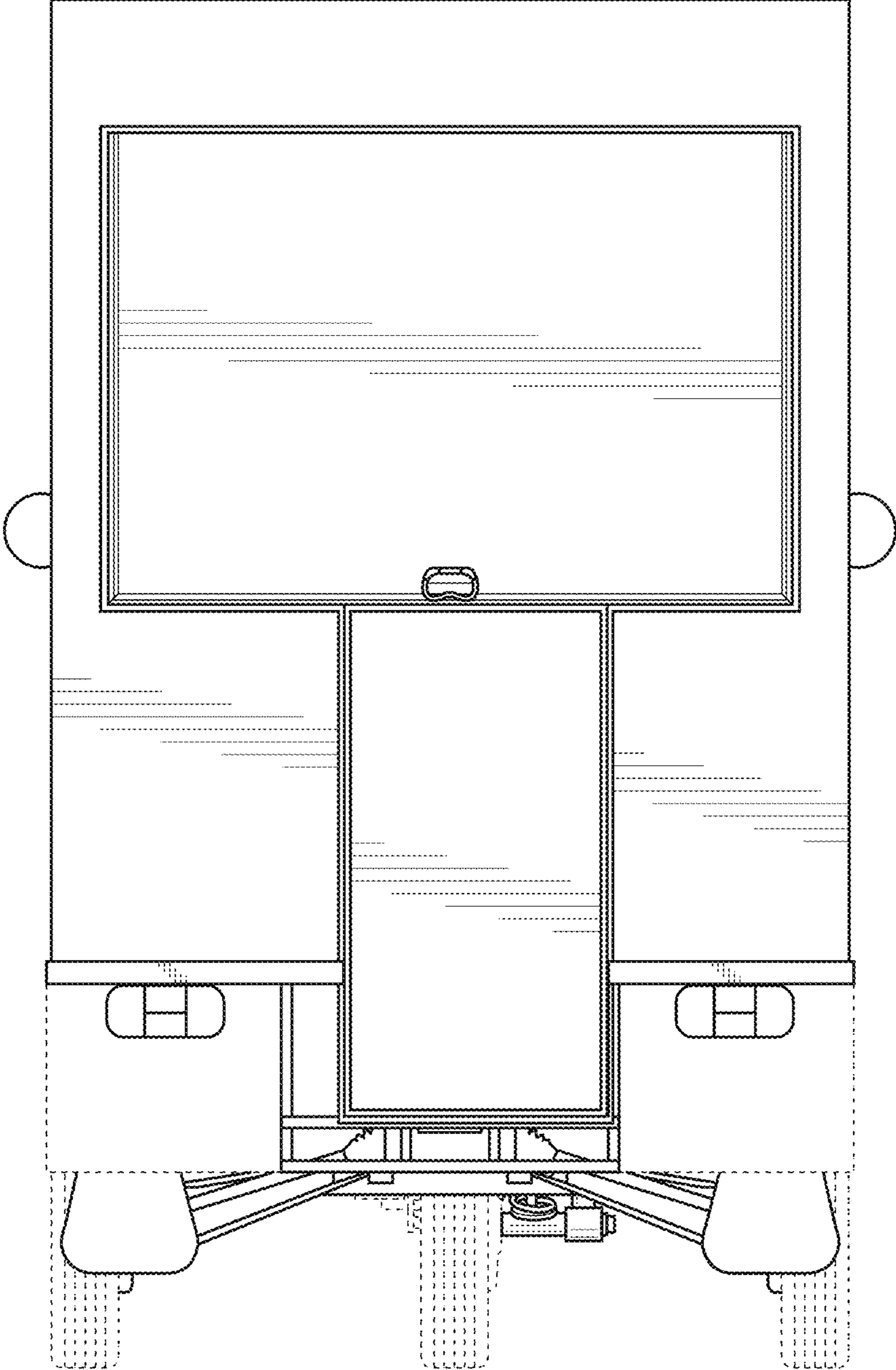


FIG. 5

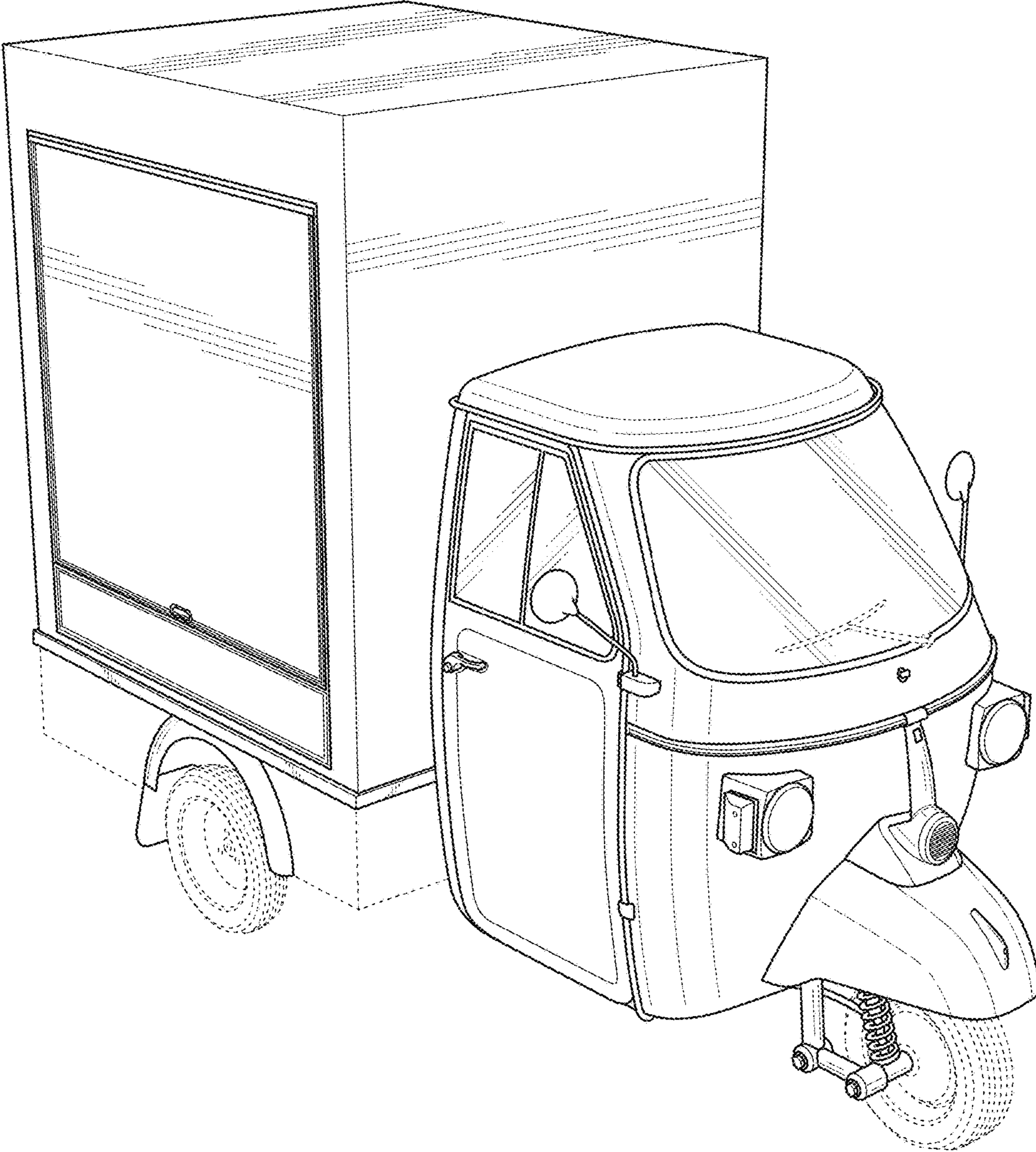


FIG. 6

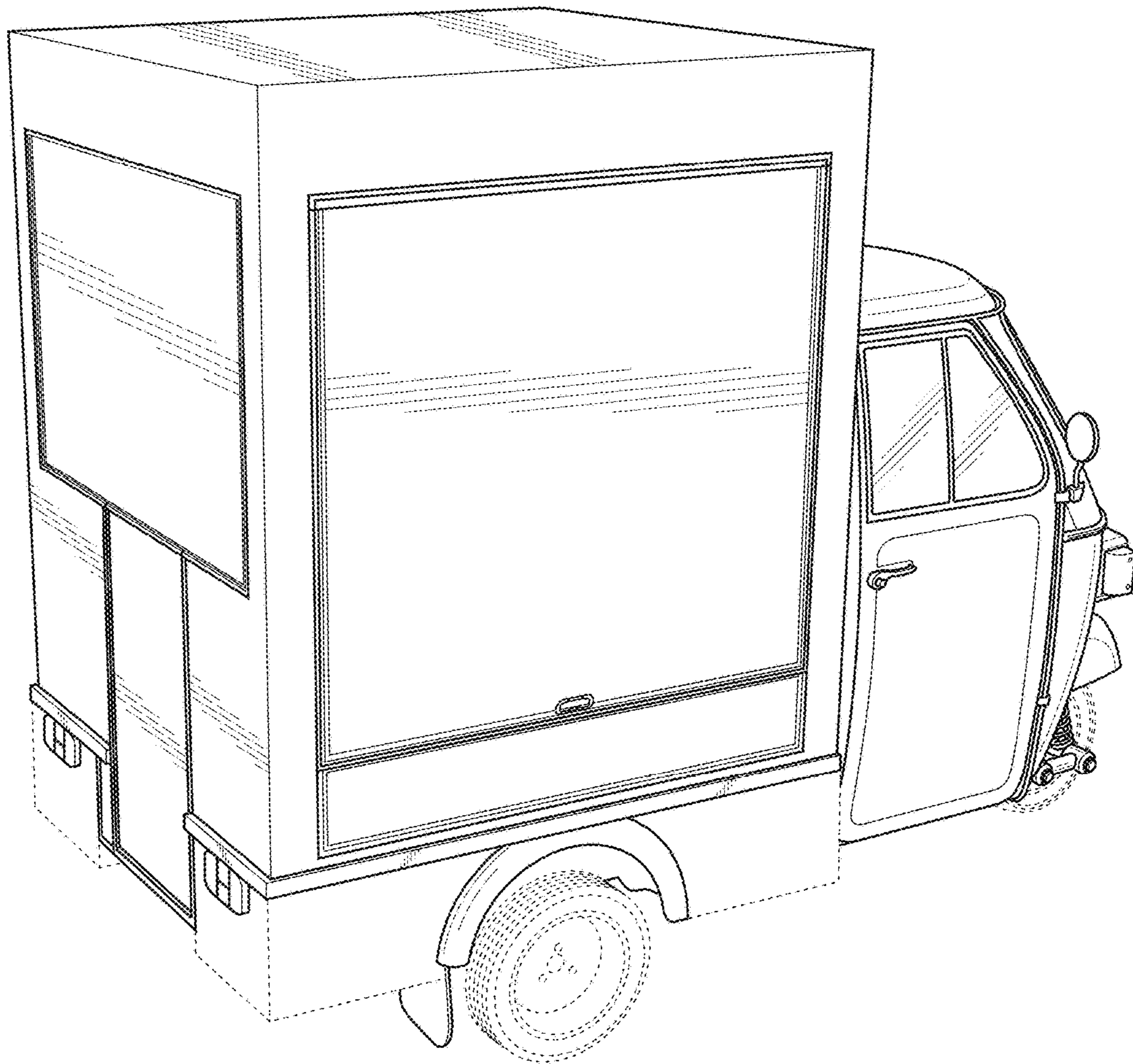


FIG. 7