



US00D820158S

(12) **United States Design Patent**
Jeong et al.

(10) **Patent No.:** **US D820,158 S**
(45) **Date of Patent:** **** Jun. 12, 2018**

- (54) **COMBINED BODY AND LANDING GEAR FOR DRONE**
- (71) Applicant: **DUSITECH CO., LTD.**, Daejeon (KR)
- (72) Inventors: **Jin Ho Jeong**, Daejeon (KR); **Yumi Jeong**, Daejeon (KR)
- (73) Assignee: **DUSITECH CO., LTD.**, Daejeon (KR)
- (**) Term: **15 Years**
- (21) Appl. No.: **29/606,172**
- (22) Filed: **Jun. 2, 2017**
- (51) **LOC (11) Cl.** **12-07**
- (52) **U.S. Cl.**
USPC **D12/16.1**
- (58) **Field of Classification Search**
USPC D12/16.1, 319, 325, 326, 327, 328,
D12/329-345; D21/436, 441, 442, 443,
D21/444, 445-453
CPC B64C 39/024; B64C 2201/141; B64C
2201/00; B64C 2201/108
See application file for complete search history.

(56) **References Cited**

U.S. PATENT DOCUMENTS

D628,658	S	*	12/2010	Wurm	D21/442
D691,514	S	*	10/2013	Wang	D12/16.1
9,061,763	B1	*	6/2015	Christensen	A63H 17/28
D741,779	S	*	10/2015	Hsiao	D12/16.1
D759,764	S	*	6/2016	Lai	D12/16.1
D760,848	S	*	7/2016	McKenna	D12/16.1
D763,134	S	*	8/2016	Wang	D12/16.1
D768,539	S	*	10/2016	Lee	D12/16.1
D768,789	S	*	10/2016	Fargeau	D12/16.1
D772,991	S	*	11/2016	Caubel	D12/16.1
D782,366	S	*	3/2017	Xiao	D12/16.1
D784,854	S	*	4/2017	Huang	D12/16.1
D795,967	S	*	8/2017	Haley	D12/16.1

D796,586	S	*	9/2017	Chen	D12/16.1
9,773,418	B1	*	9/2017	Smith	G08G 5/0043
D798,961	S	*	10/2017	Li	D21/441
D800,602	S	*	10/2017	Hsiao	D12/16.1
9,783,294	B2	*	10/2017	Johannesson	B64C 39/024
D803,328	S	*	11/2017	Lee	D21/441
2015/0129711	A1	*	5/2015	Caubel	B64C 27/08 244/17.23
2015/0321755	A1	*	11/2015	Martin	B64C 27/50 244/17.23
2015/0336670	A1	*	11/2015	Zhang	B64C 1/00 244/119
2016/0001879	A1	*	1/2016	Johannesson	B64C 27/50 416/142
2016/0122017	A1	*	5/2016	Welker	B64C 39/024 244/17.23

(Continued)

OTHER PUBLICATIONS

Commercial Drone by Dusi Tech. dated Oct. 19, 2015. found online [Jan. 24, 2018] <http://english.etnews.com/20151019200001>.*

Primary Examiner — Robert M. Spear
Assistant Examiner — Marissa J Cash
(74) *Attorney, Agent, or Firm* — Revolution IP, PLLC

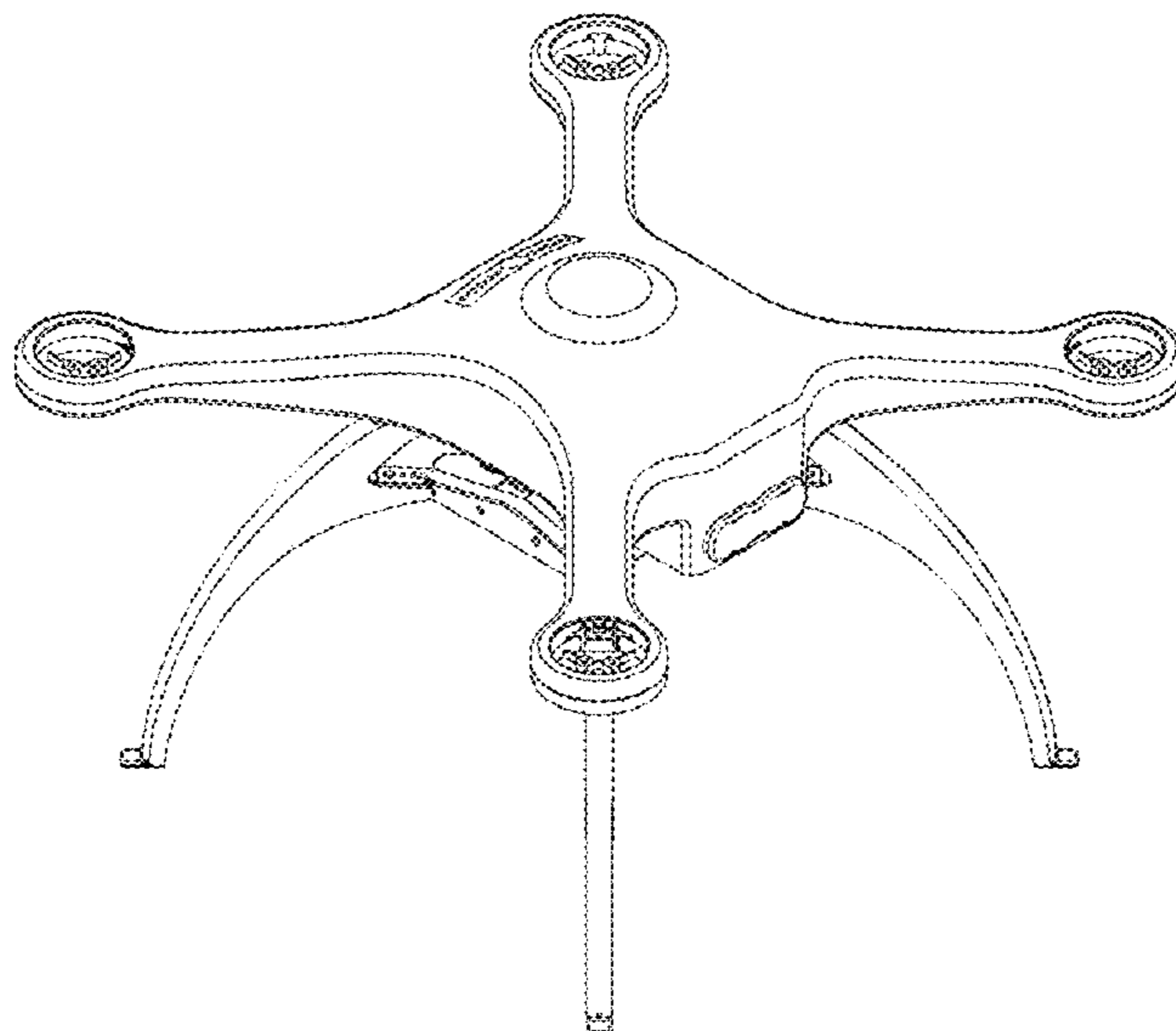
(57) **CLAIM**

The ornamental design for a combined body and landing gear for drone, as shown and described.

DESCRIPTION

FIG. 1 is a perspective view of a combined body and landing gear for drone showing my new design;
FIG. 2 is a front view thereof;
FIG. 3 is a back view thereof;
FIG. 4 is a left side view thereof;
FIG. 5 is a right side view thereof;
FIG. 6 is a top view thereof; and,
FIG. 7 is a bottom view thereof.

1 Claim, 7 Drawing Sheets



(56)

References Cited

U.S. PATENT DOCUMENTS

2016/0200207 A1* 7/2016 Lee B60L 11/1816
320/109
2016/0236777 A1* 8/2016 Tang B64C 39/024
2016/0313742 A1* 10/2016 Wang G05D 1/0669
2016/0337562 A1* 11/2016 Kang H04N 5/2254
2016/0362173 A1* 12/2016 Marion B64C 39/024
2017/0001721 A1* 1/2017 Saika B64C 27/48
2017/0029106 A1* 2/2017 Chang B64C 25/56
2017/0029134 A1* 2/2017 Lee G05D 1/0676
2017/0096075 A1* 4/2017 Henry B60L 11/1822
2017/0120763 A1* 5/2017 Henry B60L 11/1822
2017/0144756 A1* 5/2017 Rastgaar Aagaah .. B64C 39/024
2017/0150053 A1* 5/2017 Eline B64C 39/024
2017/0166308 A1* 6/2017 Desrochers B64D 1/08
2017/0190260 A1* 7/2017 Wang B60L 11/1822
2017/0197718 A1* 7/2017 Buchmueller B64D 1/22
2017/0215086 A1* 7/2017 Priest H04W 16/18
2017/0221395 A1* 8/2017 Benatar G09F 13/0409
2017/0225792 A1* 8/2017 Wang B64D 17/70
2017/0240277 A1* 8/2017 Molnar B64C 39/022
2017/0247113 A1* 8/2017 Sanlaville B64C 27/08
2017/0267334 A1* 9/2017 Tsai B64C 25/10
2017/0283050 A1* 10/2017 Baek B64C 27/08
2017/0287242 A1* 10/2017 Meganathan B64C 39/024
2017/0308099 A1* 10/2017 Kim G05D 1/0676
2017/0313418 A1* 11/2017 Yoon B64C 39/024
2017/0340176 A1* 11/2017 Liao A47L 1/02

* cited by examiner

FIG. 1

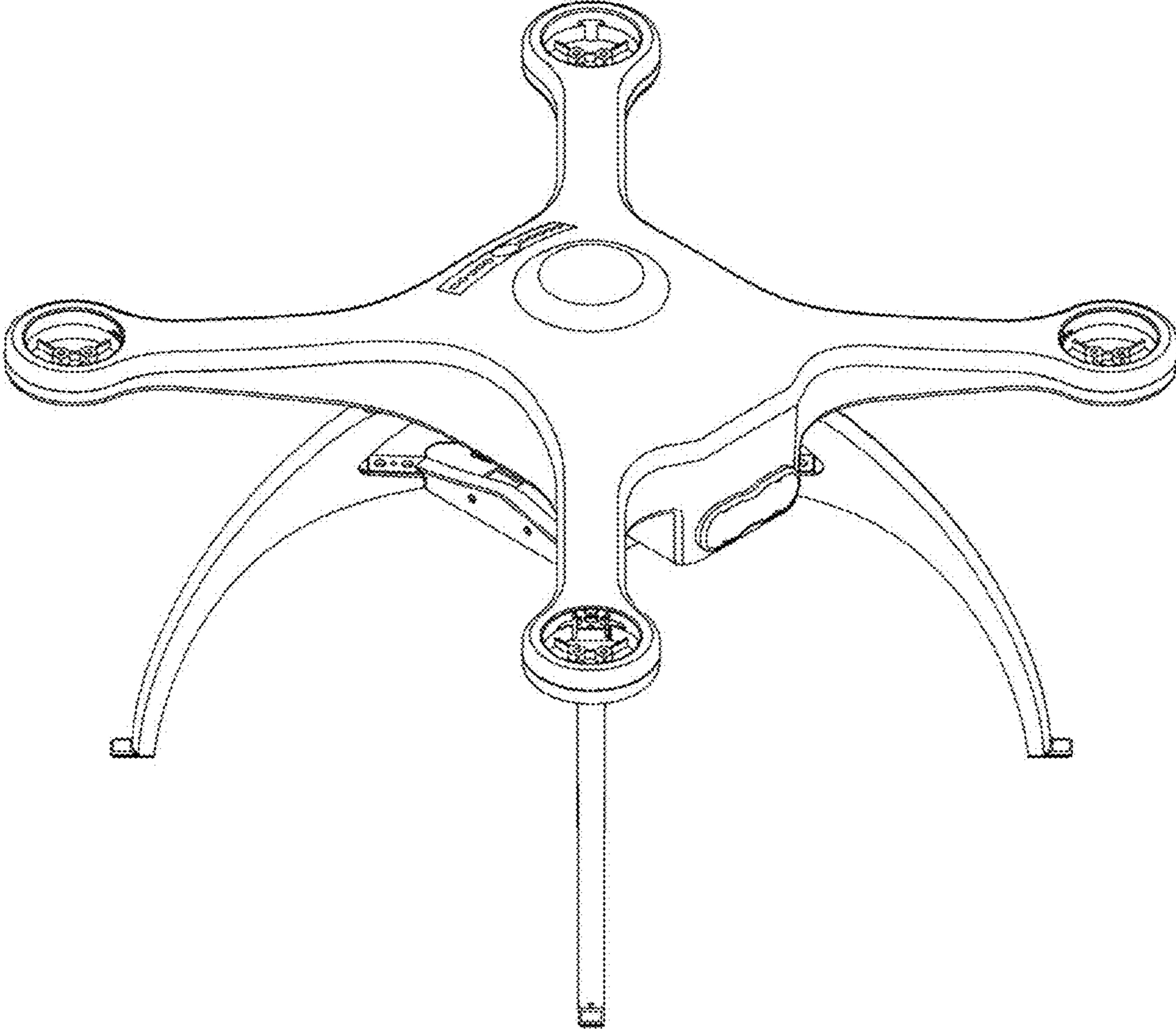


FIG. 2

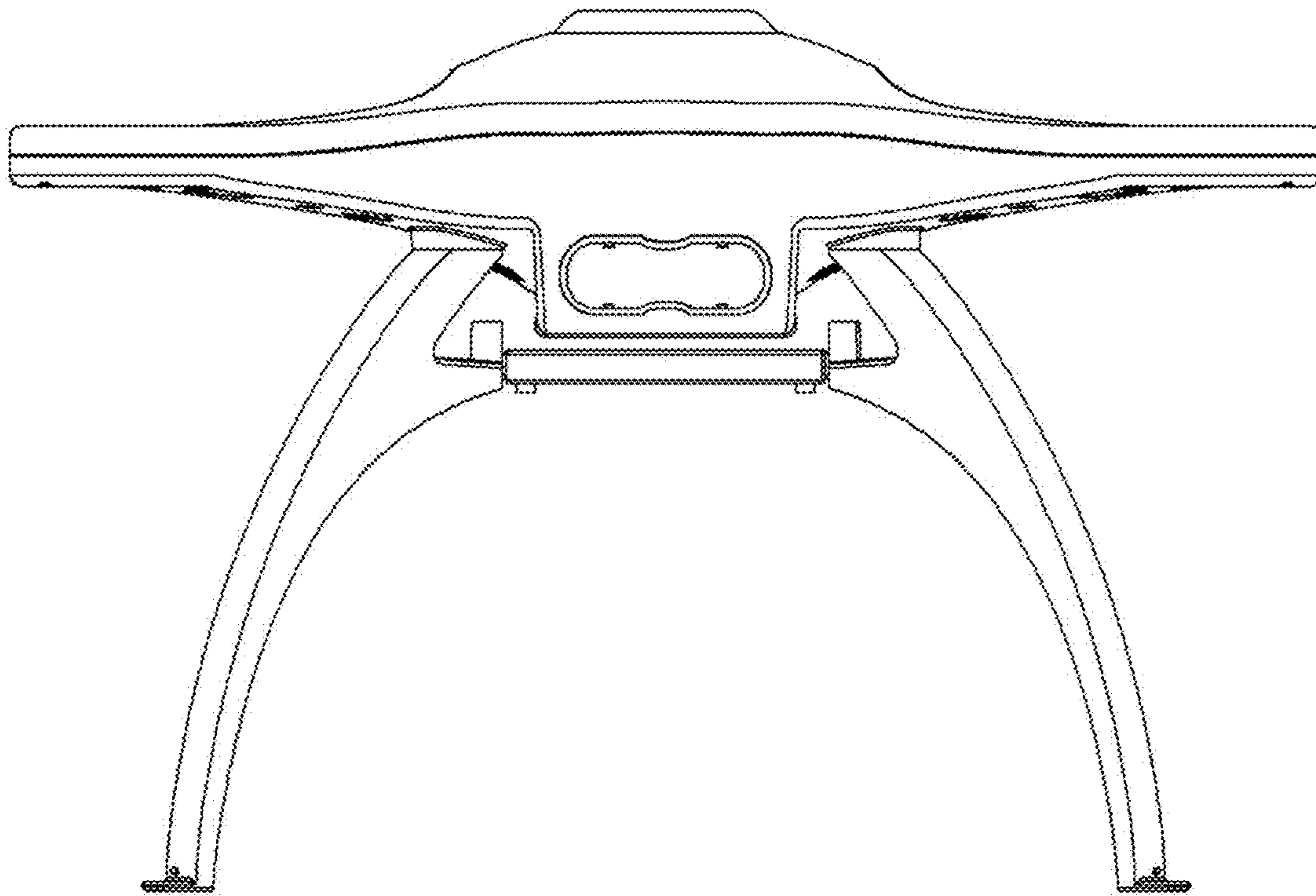


FIG. 3

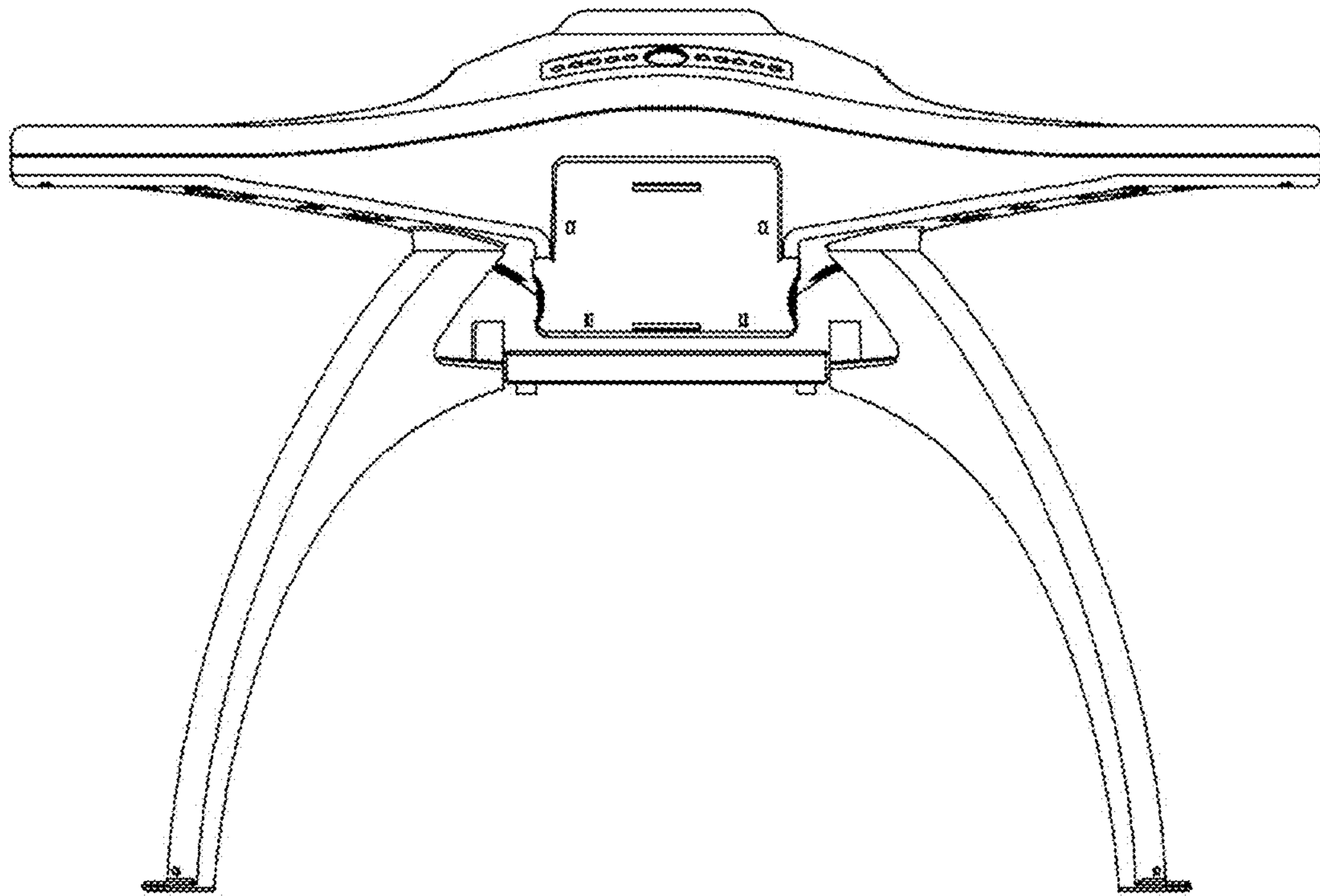


FIG. 4

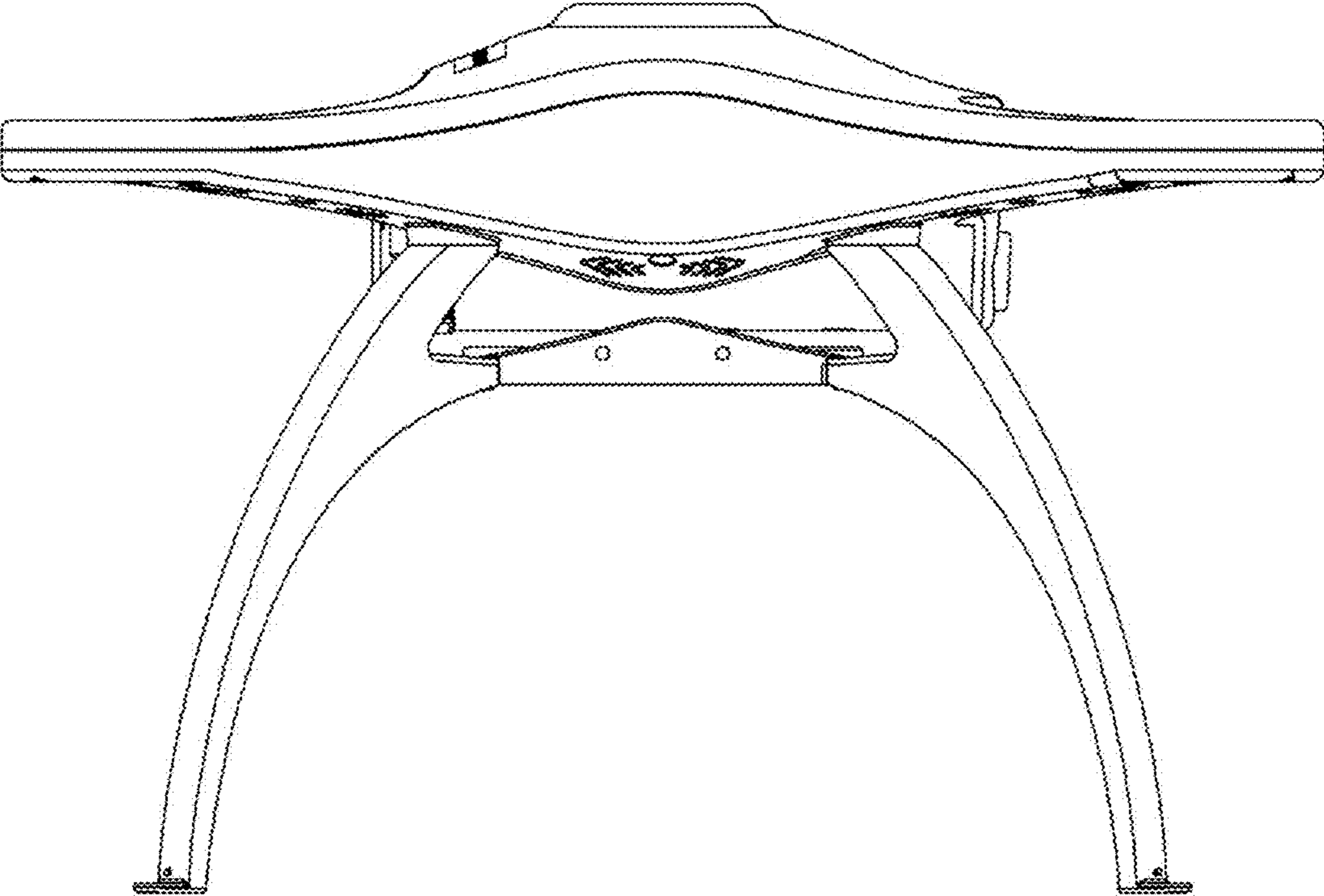


FIG. 5

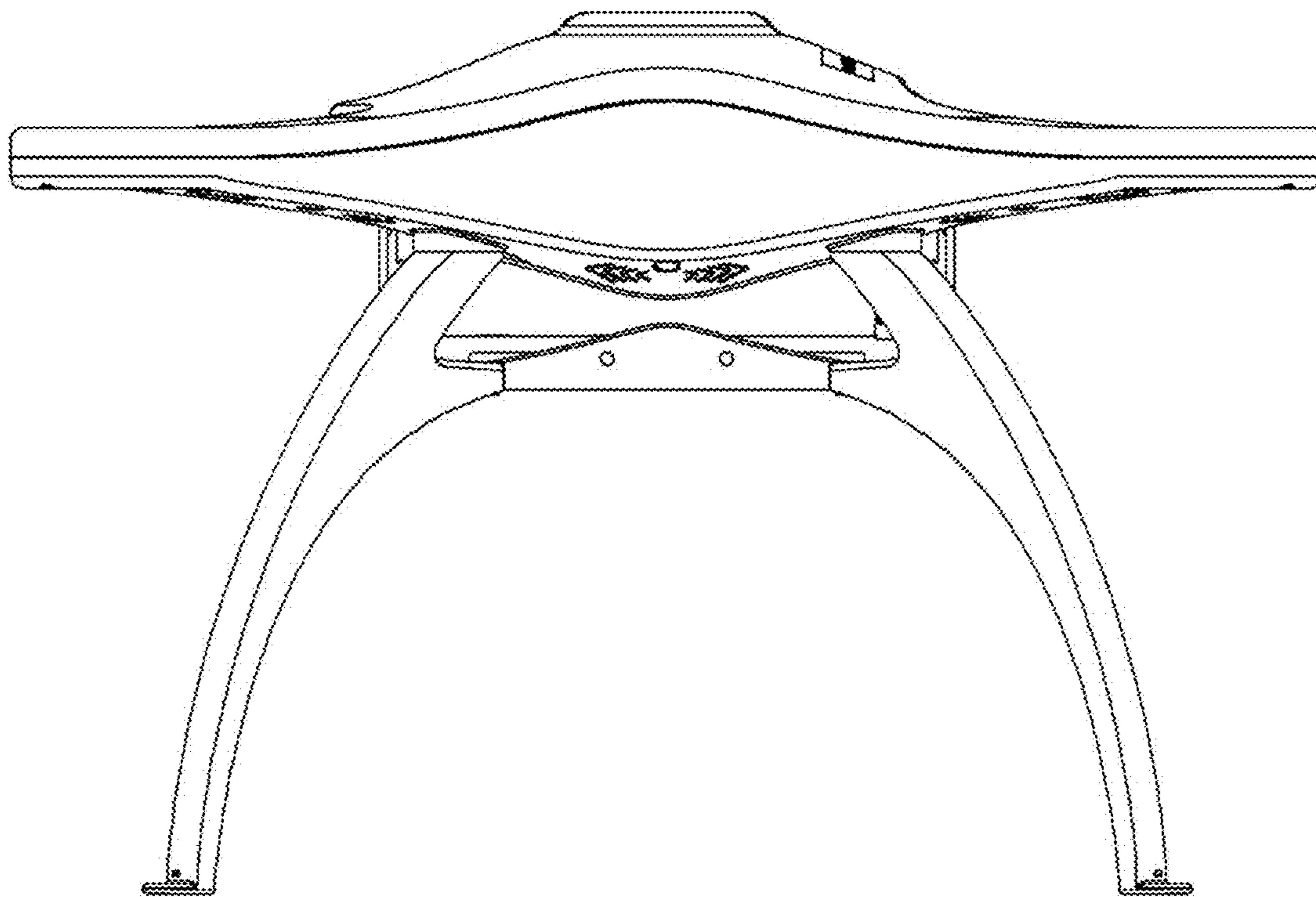


FIG. 6

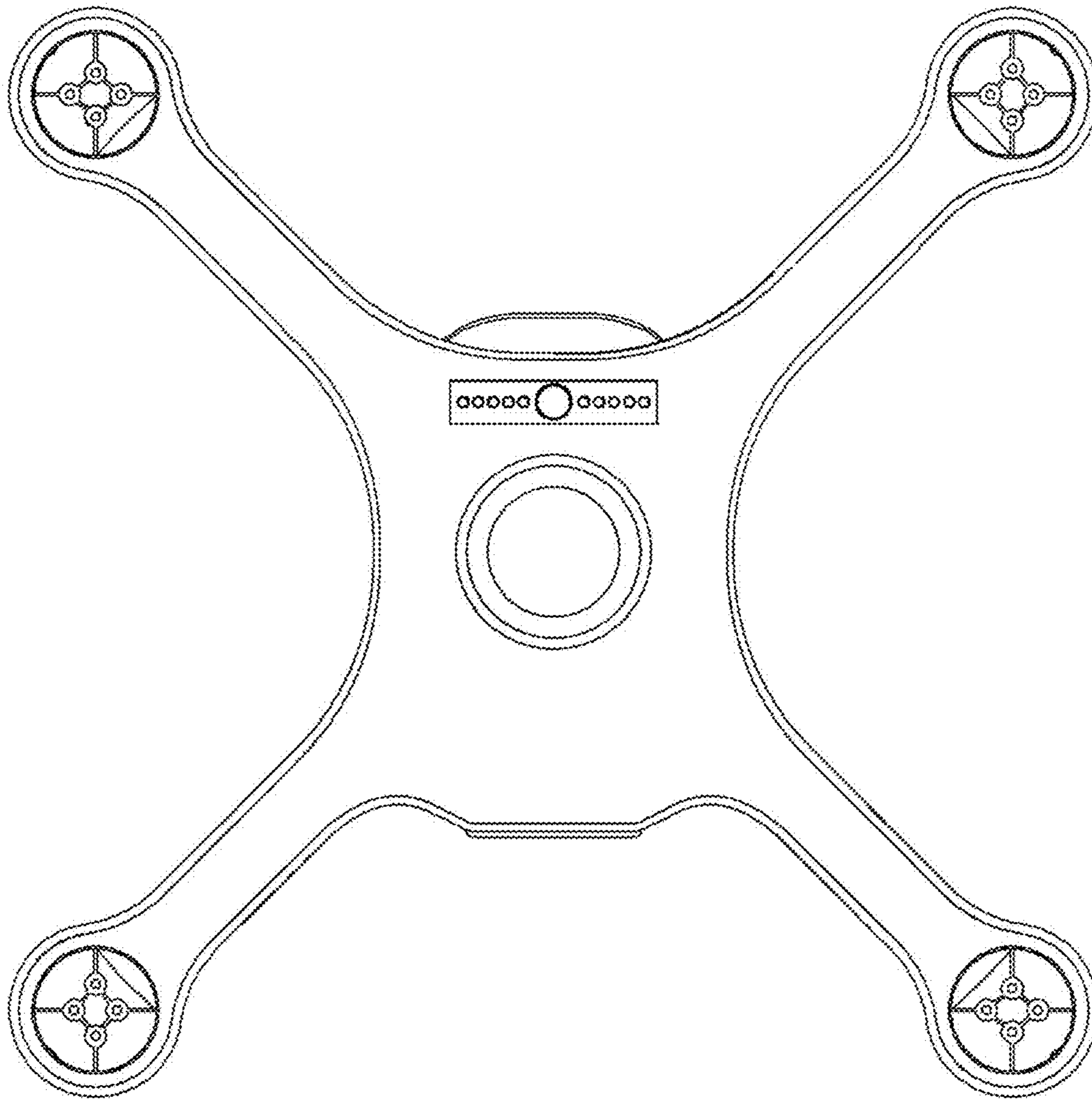


FIG. 7

