



US00D820157S

(12) **United States Design Patent**  
**Chen et al.**

(10) **Patent No.:** **US D820,157 S**  
(45) **Date of Patent:** **\*\* Jun. 12, 2018**

- (54) **SELF-BALANCED VEHICLE**
- (71) Applicant: **HANGZHOU LUNYU TECHNOLOGY CO., LTD.**, Hangzhou (CN)
- (72) Inventors: **Xiangyang Chen**, Hangzhou (CN); **Dehui Wang**, Hangzhou (CN); **Kaifeng Li**, Hangzhou (CN)
- (73) Assignee: **Hangzhou Lunyu Technology Co., Ltd.**, Hangzhou (CN)
- (\*\*) Term: **15 Years**
- (21) Appl. No.: **29/589,328**
- (22) Filed: **Dec. 30, 2016**
- (51) **LOC (11) Cl.** ..... **12-14**
- (52) **U.S. Cl.**  
USPC ..... **D12/1; D22/760**
- (58) **Field of Classification Search**  
USPC ..... D12/1; D21/419, 763, 421, 423, 426, D21/760, 765, 766, 769, 771, 776, 803  
CPC ..... A63C 17/01; A63C 17/12; A63C 2203/00; A63C 2203/01; A63C 2203/012; A63C 2203/013; A63C 2203/40; A63C 2203/52; A63C 17/0033; A63C 17/016; A63C 17/08; B62D 51/02; B62D 51/001; B62D 61/00; B62D 37/00; B62K 2202/00; B62K 2207/00; B62K 2207/02; B62K 2207/04; B62K 3/007; B62K 17/00; B62K 11/007; B60N 2/002; B60G 17/019  
See application file for complete search history.

- D785,736 S \* 5/2017 Ying ..... D21/760
- D808,858 S \* 1/2018 Wang ..... D12/1
- D808,859 S \* 1/2018 Wang ..... D12/1
- 2017/0088211 A1 \* 3/2017 Jiang ..... B62K 11/007
- 2017/0101129 A1 \* 4/2017 Ying ..... B62D 11/003
- 2017/0217489 A1 \* 8/2017 Ying ..... B62D 11/003
- 2017/0297653 A1 \* 10/2017 Zheng ..... B62K 3/007
- 2017/0349231 A1 \* 12/2017 Wood ..... G01G 3/1402
- 2018/0037290 A1 \* 2/2018 Ying ..... B62K 11/007
- 2018/0072367 A1 \* 3/2018 Li ..... B62K 11/007

\* cited by examiner

*Primary Examiner* — T. Chase Nelson

*Assistant Examiner* — Ania Aman

(74) *Attorney, Agent, or Firm* — Liang Legal Group, PLLC

(57) **CLAIM**

The ornamental design for a self-balanced vehicle, as shown and described.

**DESCRIPTION**

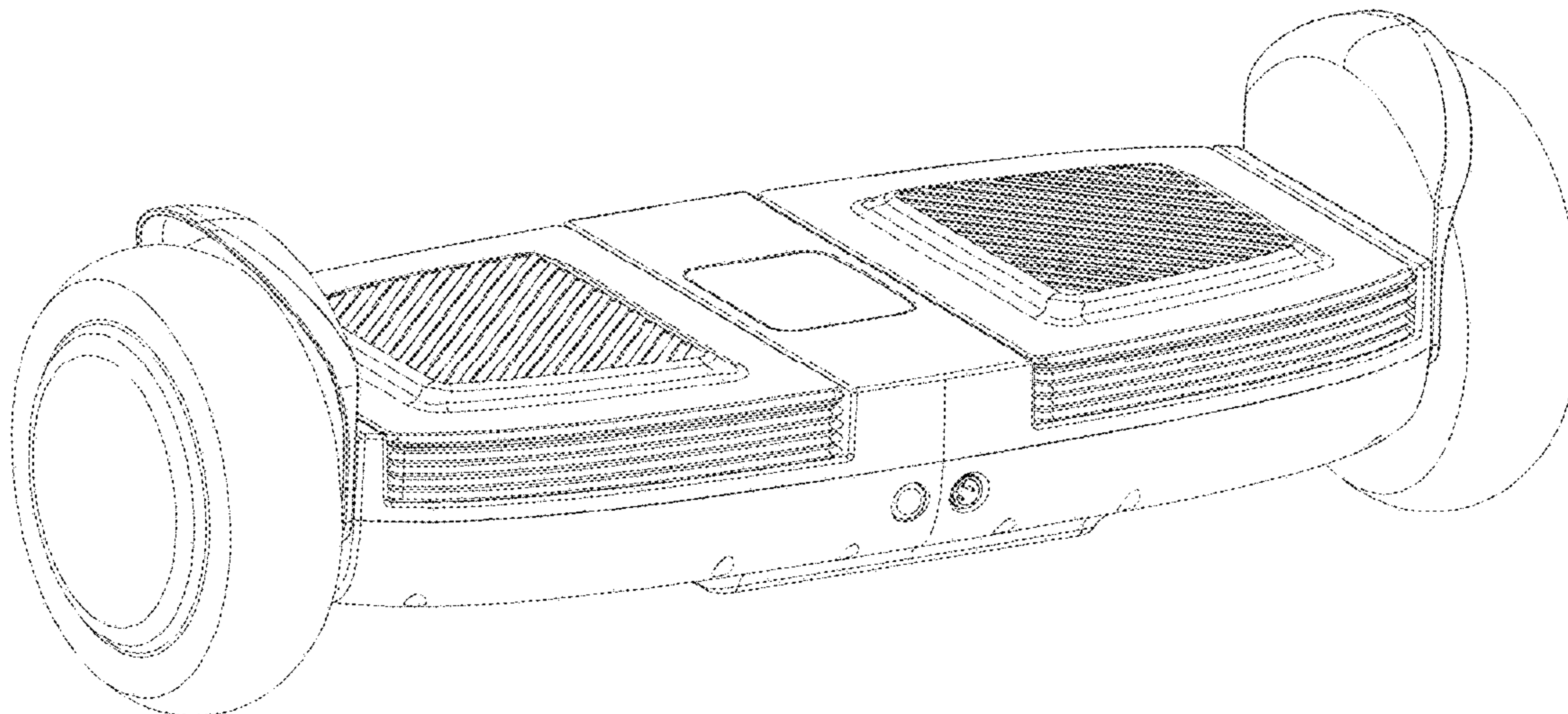
- FIG. 1 is a front side view of the design according to the invention.
- FIG. 2 is a back side view of the design according to the invention.
- FIG. 3 is a left side view of the design according to the invention.
- FIG. 4 is a right side view of the design according to the invention.
- FIG. 5 is a top side view of the design according to the invention.
- FIG. 6 is a bottom side view of the design according to the invention; and,
- FIG. 7 is a perspective view of the design according to the invention.

**1 Claim, 3 Drawing Sheets**

(56) **References Cited**

**U.S. PATENT DOCUMENTS**

- D779,375 S \* 2/2017 Zeng ..... D12/1
- D785,114 S \* 4/2017 Ying ..... D21/760



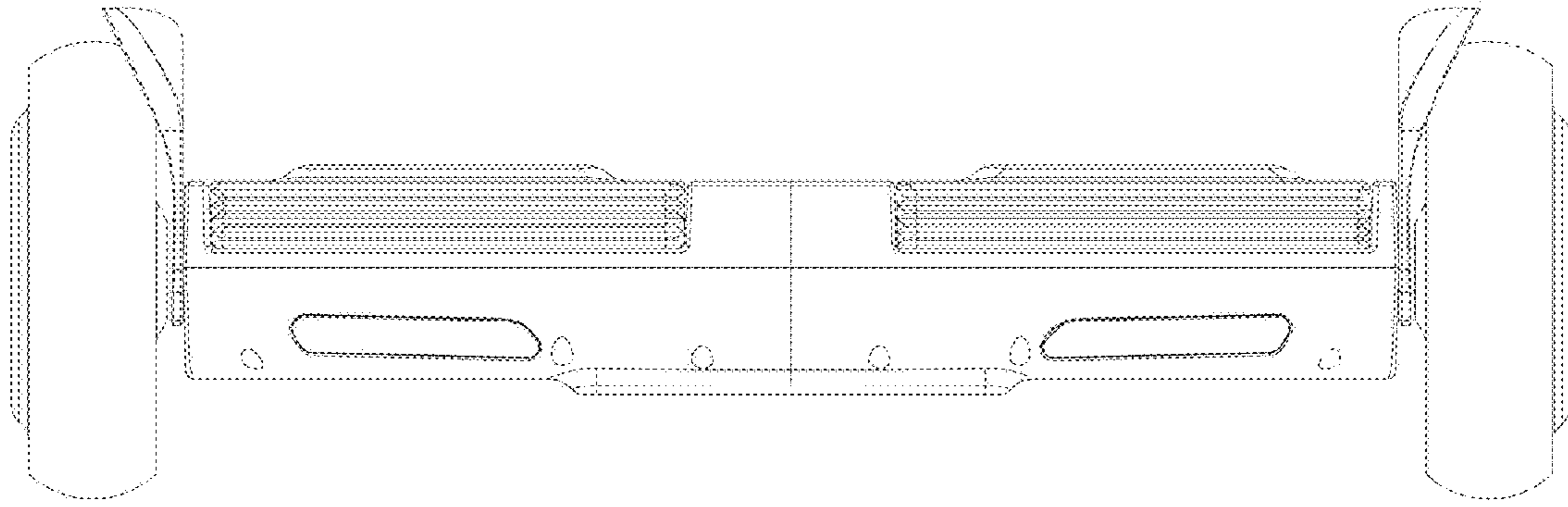


FIG. 1

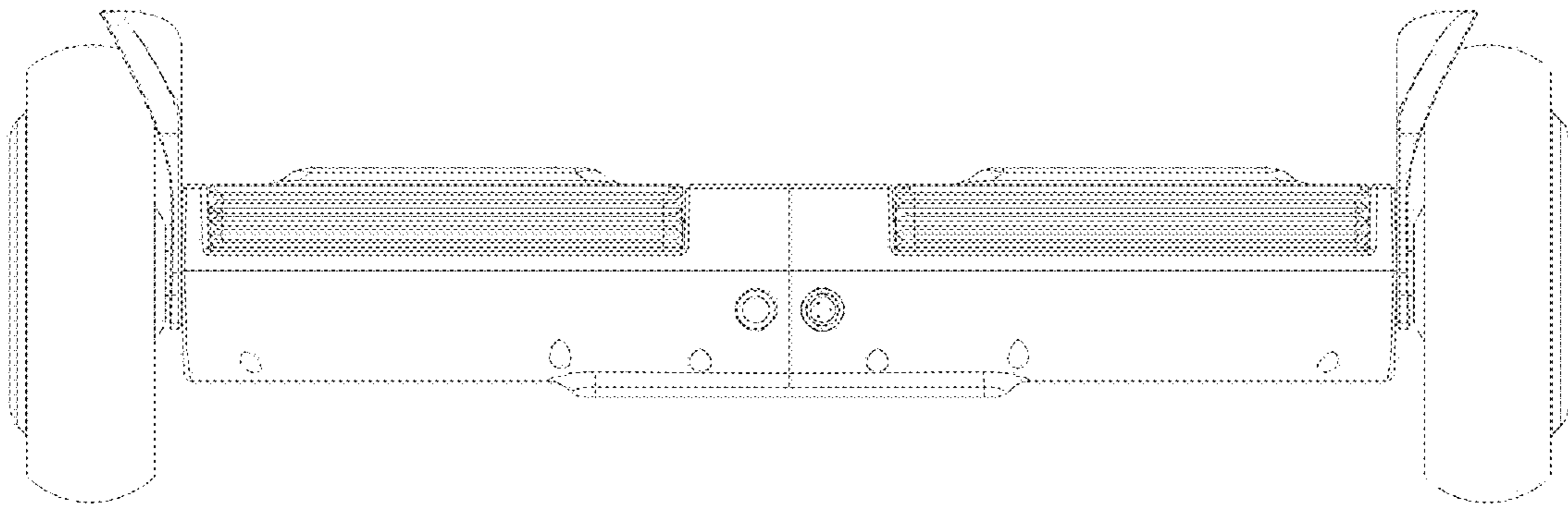


FIG. 2

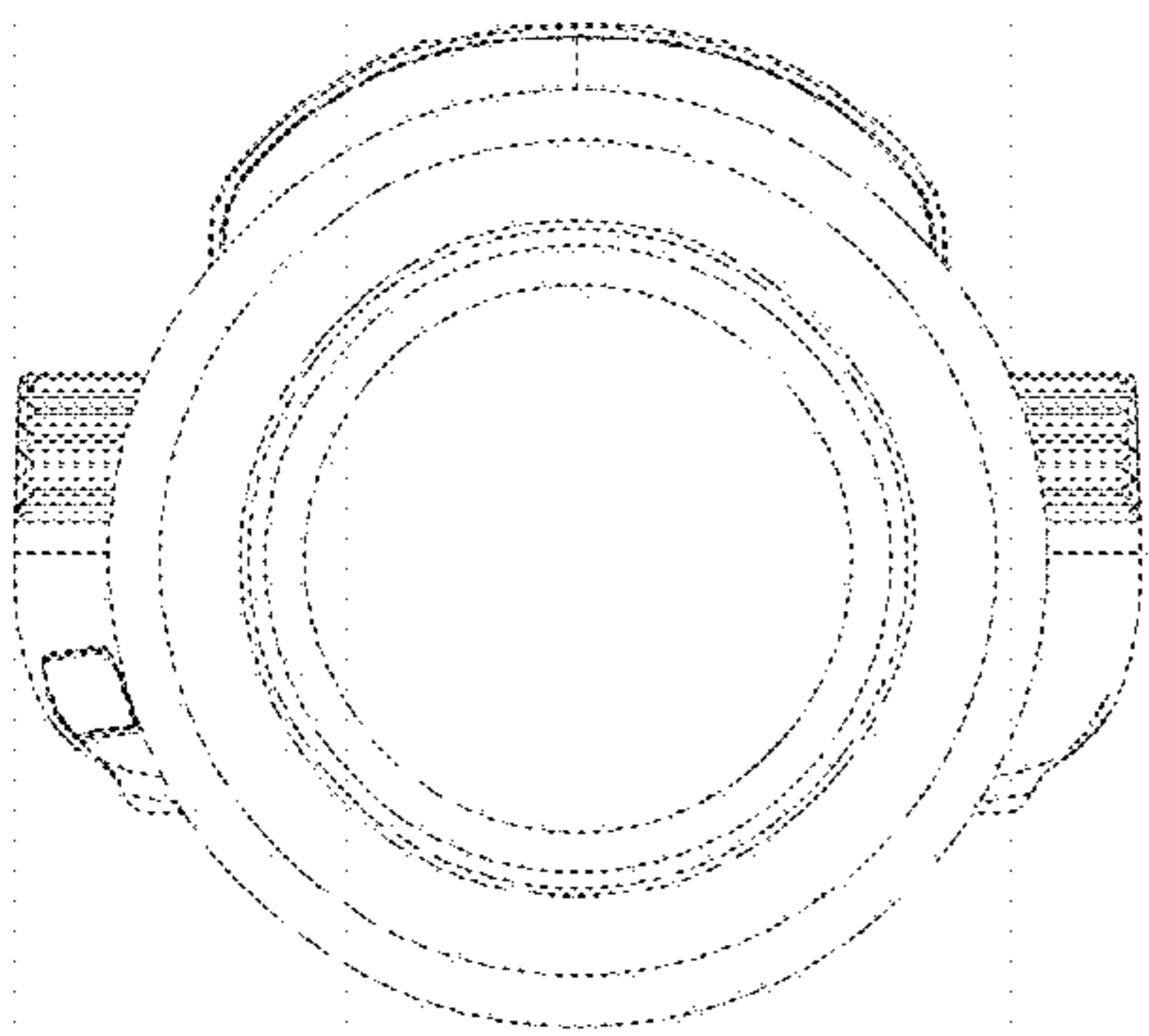


FIG. 3

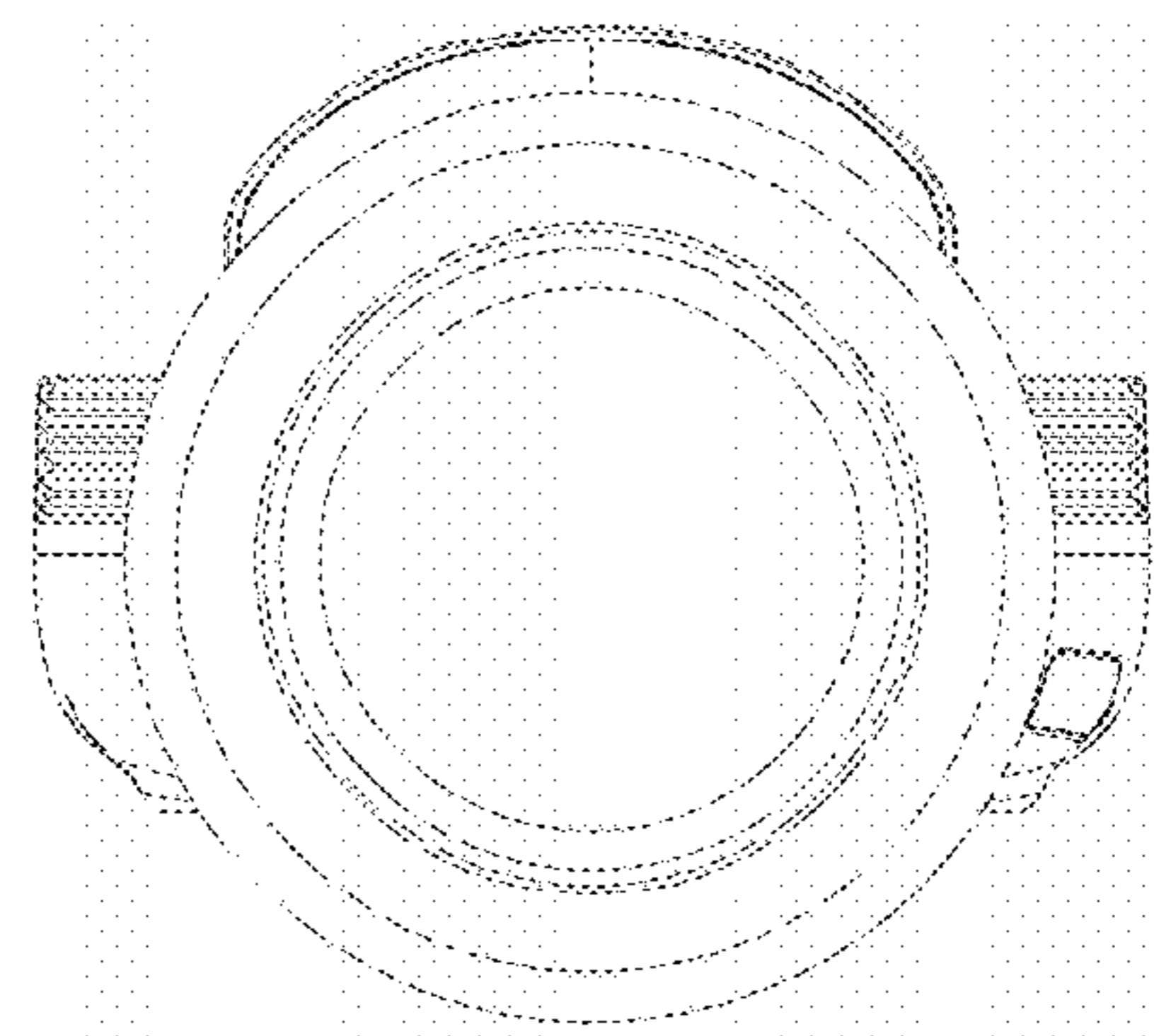


FIG. 4

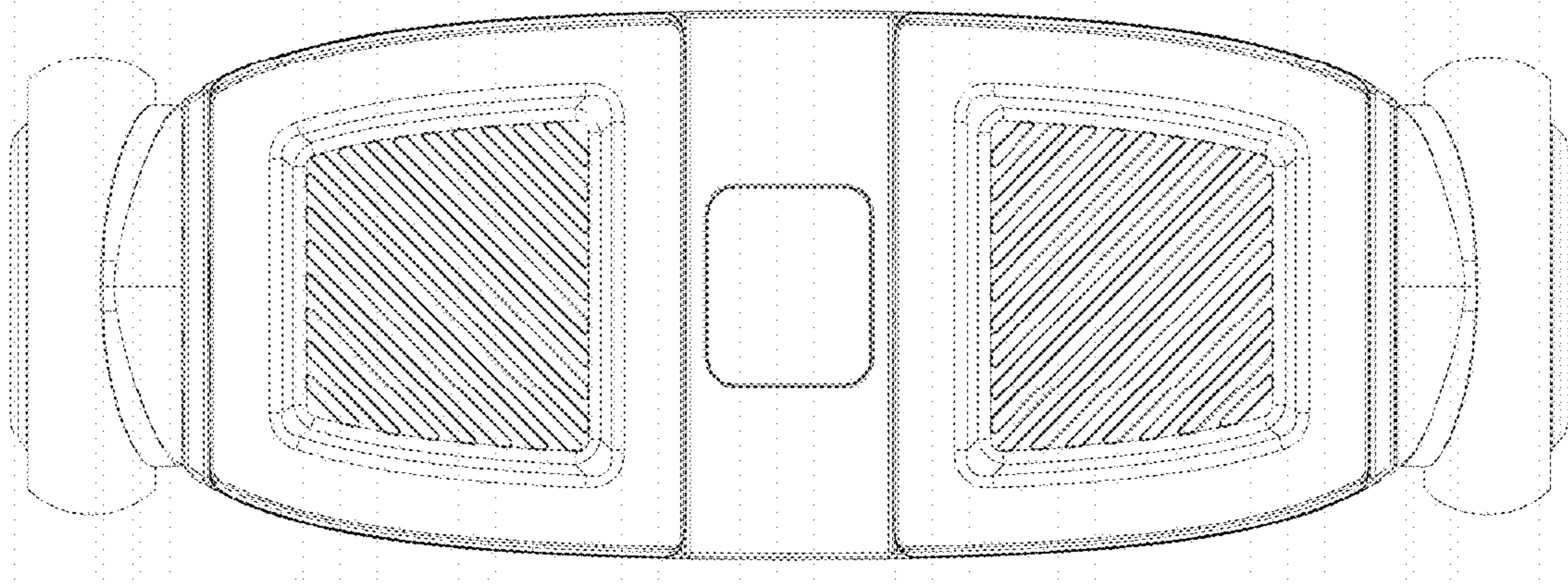


FIG. 5

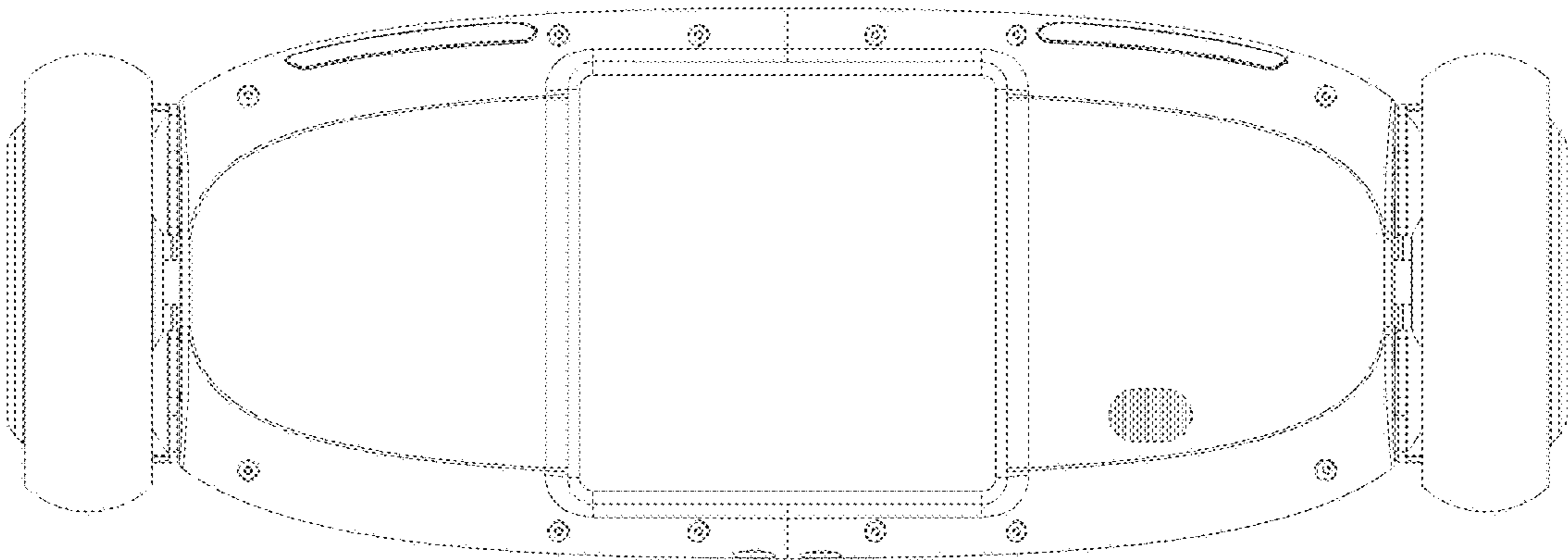


FIG. 6

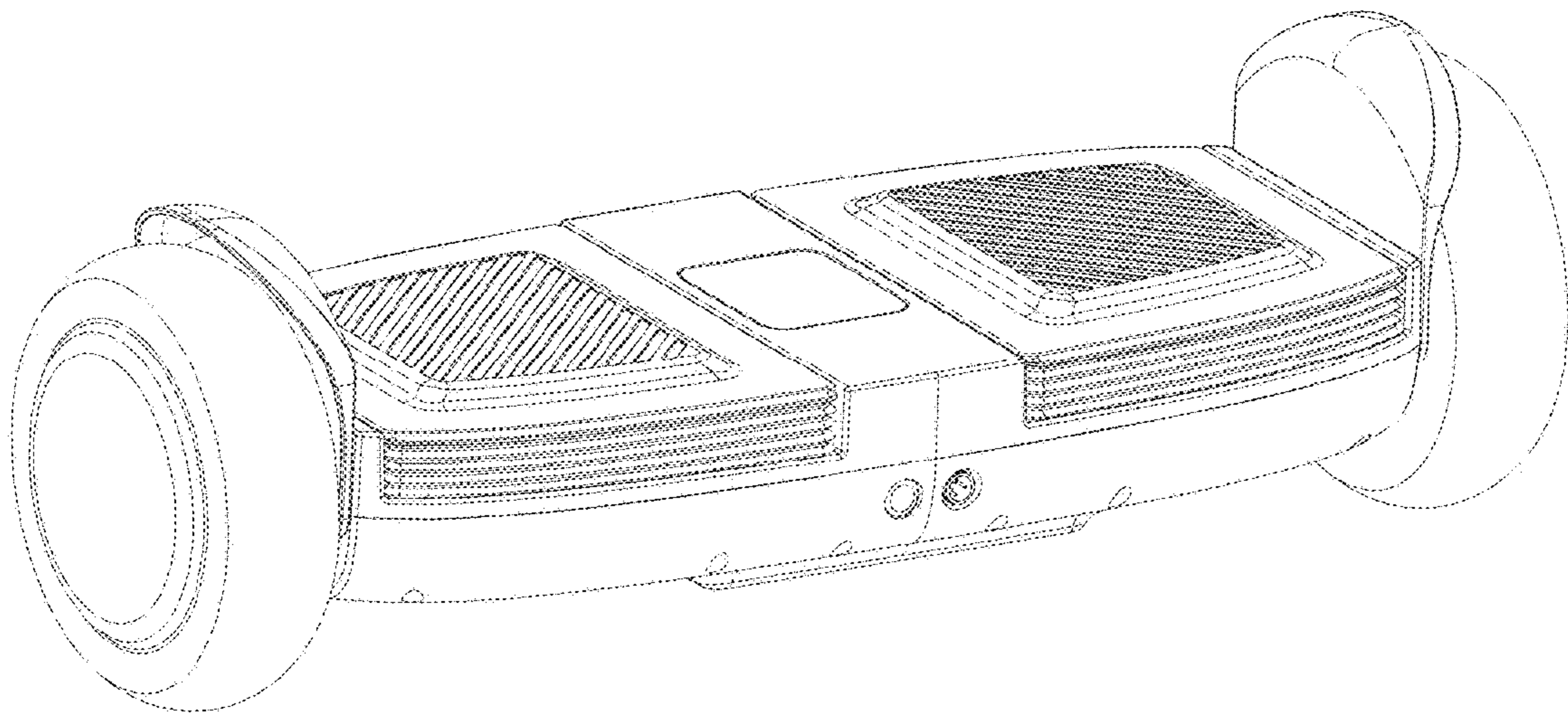


FIG. 7