



US00D820147S

(12) **United States Design Patent** (10) **Patent No.:** **US D820,147 S**
Echeverria (45) **Date of Patent:** **** Jun. 12, 2018**

(54) **WALL ORNAMENT AND HANGER SET**

(71) Applicant: **Victor Hugo Echeverria**, Huntington Park, CA (US)

(72) Inventor: **Victor Hugo Echeverria**, Huntington Park, CA (US)

(**) Term: **15 Years**

(21) Appl. No.: **29/592,721**

(22) Filed: **Feb. 1, 2017**

(51) **LOC (11) Cl.** **11-02**

(52) **U.S. Cl.**
USPC **D11/132**

(58) **Field of Classification Search**
USPC D11/1, 40, 25, 43, 79, 131, 132, 184, 86, D11/87, 89, 95; D6/300-314, 702, 703, D6/703.3; D25/118, 121, 138, 140, 141, D25/145, 156, 160, 199; 40/700, 720, 40/723, 729, 732, 743; 428/189
CPC .. A47G 1/065; A47G 1/06; B32B 3/02; B44C 3/12; E06B 3/7001
See application file for complete search history.

(56) **References Cited**

U.S. PATENT DOCUMENTS

D18,341 S *	5/1888	Meyer	D5/58
D175,808 S *	10/1955	Teroux	D25/150
3,242,242 A *	3/1966	Bournique	B28B 1/008
				106/737
D217,904 S *	6/1970	Johnston	D25/160
3,731,444 A *	5/1973	Tobin	E06B 3/7001
				156/63
D235,336 S *	6/1975	Lee	D25/48.1
D248,321 S *	6/1978	Stichtenoth	D25/158
D248,322 S *	6/1978	Stichtenoth	D25/158
D248,323 S *	6/1978	Stichtenoth	D25/158
D256,729 S *	9/1980	Carlson	D25/136
D282,825 S *	3/1986	Kostios	D10/25
4,638,616 A *	1/1987	Fredericks	E04B 9/045
				52/204.591
D321,257 S *	10/1991	Pullum	D25/48.1

(Continued)

OTHER PUBLICATIONS

Geometric Design Principles, available Dec. 3, 2009, [online], [site visited Oct. 31, 2017]. Available from internet, <URL: https://web.archive.org/web/20091203103923/http://dcsymbols.com/design/howitworks.htm (Year: 2009).*

(Continued)

Primary Examiner — Cathron C Brooks

Assistant Examiner — W. A. Teddy Falloway

(74) *Attorney, Agent, or Firm* — Katherine M. Bond

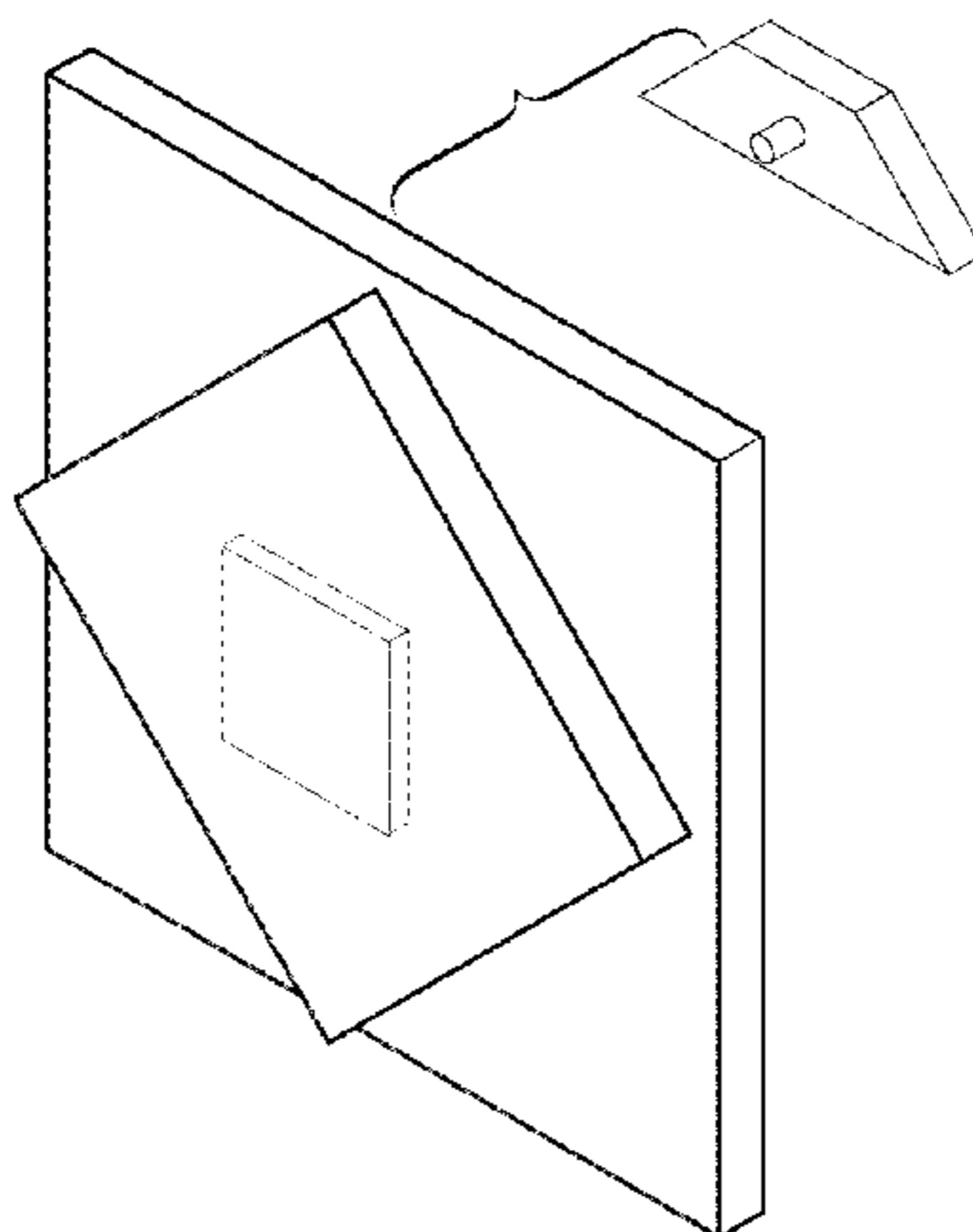
(57) **CLAIM**

The ornamental design for a wall ornament and hanger set, as shown and described.

DESCRIPTION

FIG. 1 is a perspective view of the wall ornament and hanger set, showing my new design in condition of use;
FIG. 2 is an exploded view of the wall ornament and hanger set showing the hanger;
FIG. 3 is a front plan view of the wall ornament and hanger set;
FIG. 4 is a perspective view of the wall ornament and hanger set shown in FIG. 3;
FIG. 5 is a perspective view of the wall ornament and hanger set, showing my new design in condition of use in an alternate position;
FIG. 6 is an exploded view of the wall ornament and hanger set showing the hanger;
FIG. 7 is a front view of the hanger, shown separately for completeness of illustration; and,
FIG. 8 is a perspective view thereof.
The windows and walls shown in broken lines in FIG. 1 and FIG. 5 are for the purpose of illustrating environment and form no part of the claimed design.

1 Claim, 4 Drawing Sheets



(56)

References Cited

U.S. PATENT DOCUMENTS

D327,776	S	*	7/1992	Hodges	D5/4
D340,880	S	*	11/1993	Walton	D11/132
D539,442	S	*	3/2007	Tung	D25/138
7,411,659	B1	*	8/2008	Gaetano	G03B 27/58 355/126
D590,603	S	*	4/2009	Heuman	D6/302
D683,799	S	*	6/2013	Kiecker	D21/484
D700,502	S	*	3/2014	Smith	D8/349
D718,655	S	*	12/2014	Fischer	D11/86
D739,661	S	*	9/2015	Vanderheyden	D6/300
D741,069	S	*	10/2015	Vanderheyden	D6/300
D773,196	S	*	12/2016	Vanderheyden	D6/300
D775,996	S	*	1/2017	Cabarbaye	D11/86
D793,580	S	*	8/2017	Staton	D25/48.7
D799,719	S	*	10/2017	Staton	D25/48.7
2009/0317599	A1	*	12/2009	Heuman	A47G 1/065 428/189
2010/0229442	A1	*	9/2010	Snow	A47G 1/065 40/761

OTHER PUBLICATIONS

“Square 3 tier Stacked, Top Rotated”, available Feb. 9, 2008, [online], [site visited Oct. 31, 2017]. Available from internet, <URL: <https://www.cakecentral.com/gallery/i/1186833/square-3-tier-stacked-top-rotated> (Year: 2008).*

Lattice Wood Square 25"×25"-Threshold, available Feb. 2017, [online], [site visited Nov. 1, 2017]. Available from internet, <URL: <https://www.target.com/p/lattice-wood-square-25-x25-threshold-153/-/A-50912135#Ink=sameta> (Year: 2017).*

Open Bar Cabinet, Stacked Squares Molding Detail, available 1960s, [online], [site visited Nov. 1, 2017]. Available from internet, <URL: https://www.1stdibs.com/furniture/storage-case-pieces/cabinets/fab-mad-men-walnut-swivel-open-bar-cabinet-stacked-squares-molding-detail/id-f_4872483/ (Year: 1960).*

Folk Art Stacked Squares Wood Earrings, available Jun. 4, 2015, [online], [site visited Nov. 1, 2017]. Available from internet, <URL: <https://www.craftpaperscissors.com/wood-diy-earrings/> (Year: 2015).*

Stacked Squares Technique Sheet, available Nov. 1, 2017, [online], [site visited Nov. 1, 2017]. Available from internet, <URL: <https://www.quiltersheadquarters.com/shop/Patterns/Studio-180-Design/p/STACKED-SQUARES-TECHNIQUE-SHEET-x22930567.htm> (Year: 2017).*

Stacked Squares Tile—High Relief, available Nov. 1, 2017, [online], [site visited Nov. 1, 2017]. Available from internet, <URL: <https://www.bluewillowstudio.net/store/p115/StackedSquares> (Year: 2017).*

Monet Pin, available Jul. 11, 2017, [online], [site visited Nov. 1, 2017]. Available from internet, <URL: https://www.etsy.com/listing/270928433/vtg-monet-pin-geometric-goldtone-stacked?ga_order=most_relevant&ga_search_type=all&ga_view_type=gallery&ga_search_query=monet&ref=sr_gallery_31 (Year: 2017).*

Book locket ring, available Oct. 25, 2017, [online], [site visited Nov. 1, 2017]. Available from internet, <URL: https://www.etsy.com/listing/479354845/book-locket-ring-stacked-books-ring?ga_order=most_relevant&ga_search_type=all&ga_view_type=gallery&ga_search_query=book&ref=sr_gallery_37 (Year: 2017).*

* cited by examiner

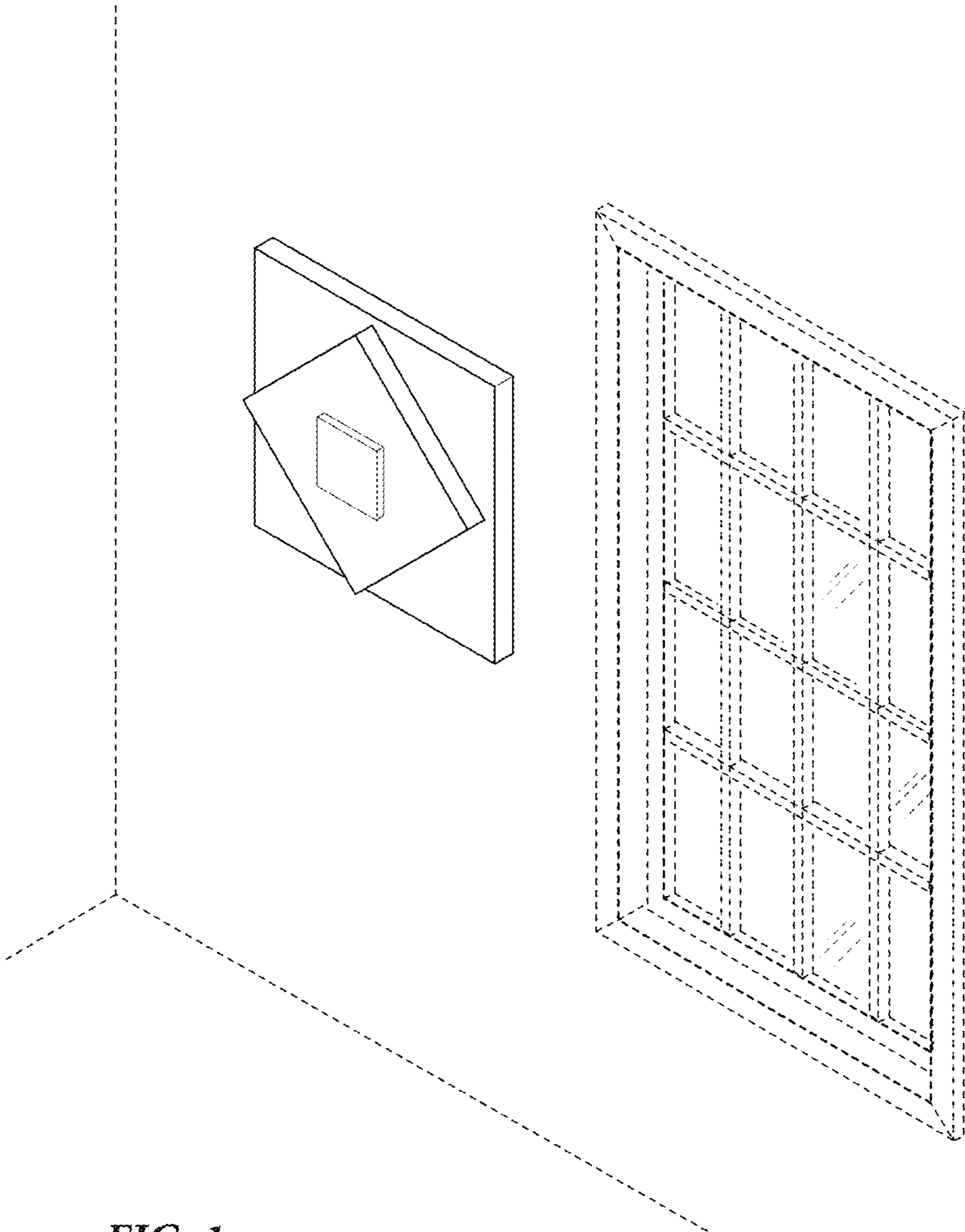


FIG. 1

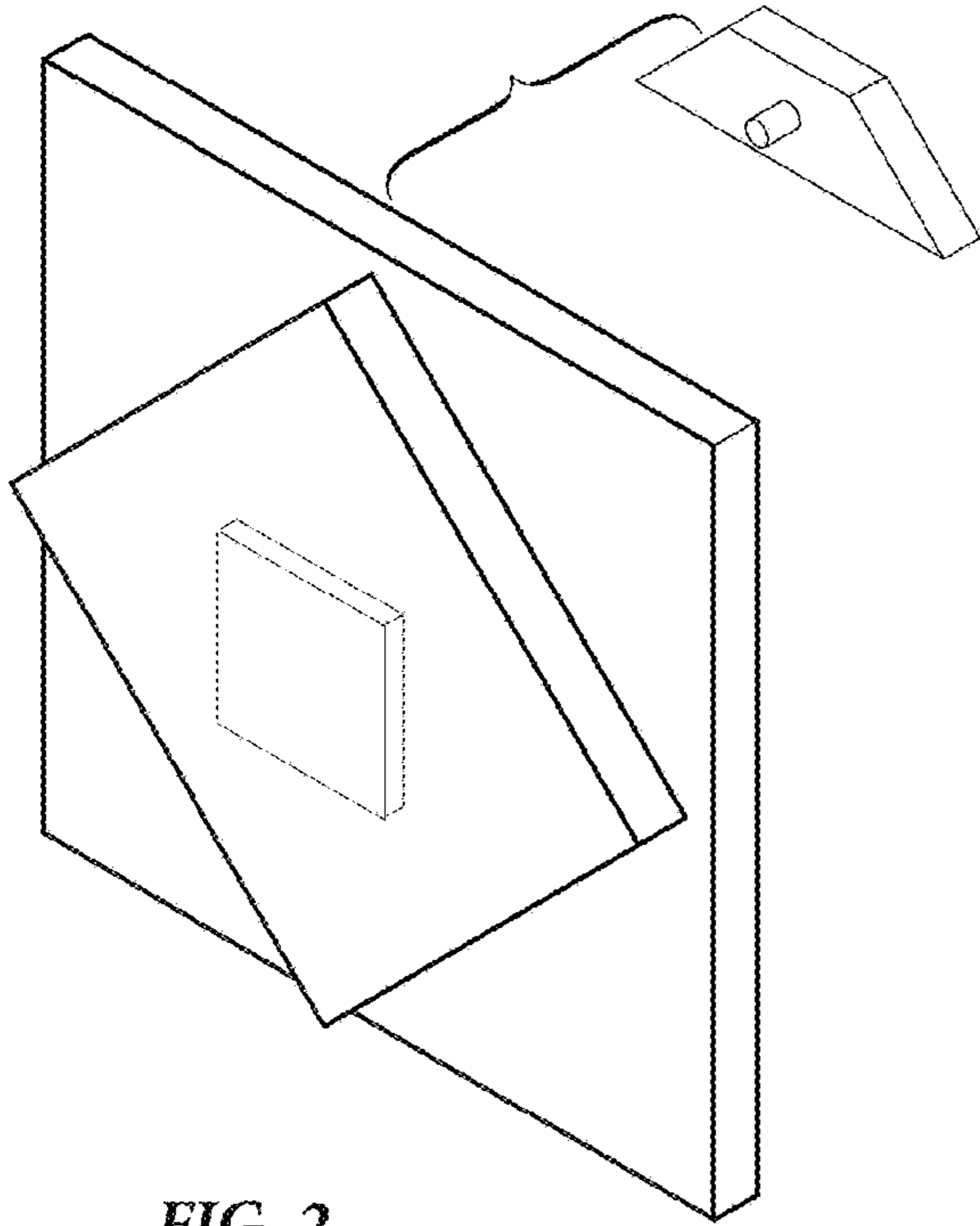


FIG. 2

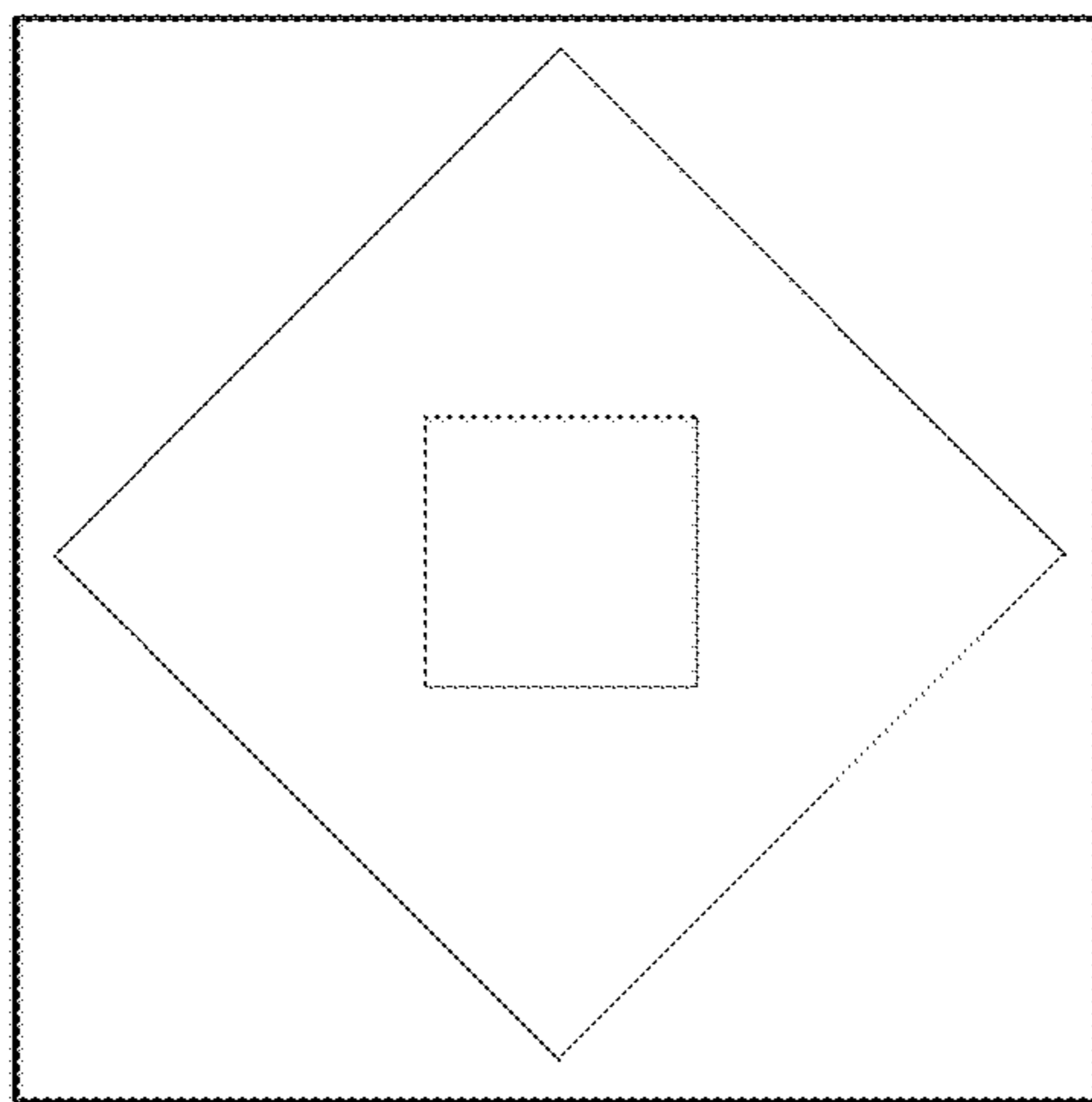


FIG. 3

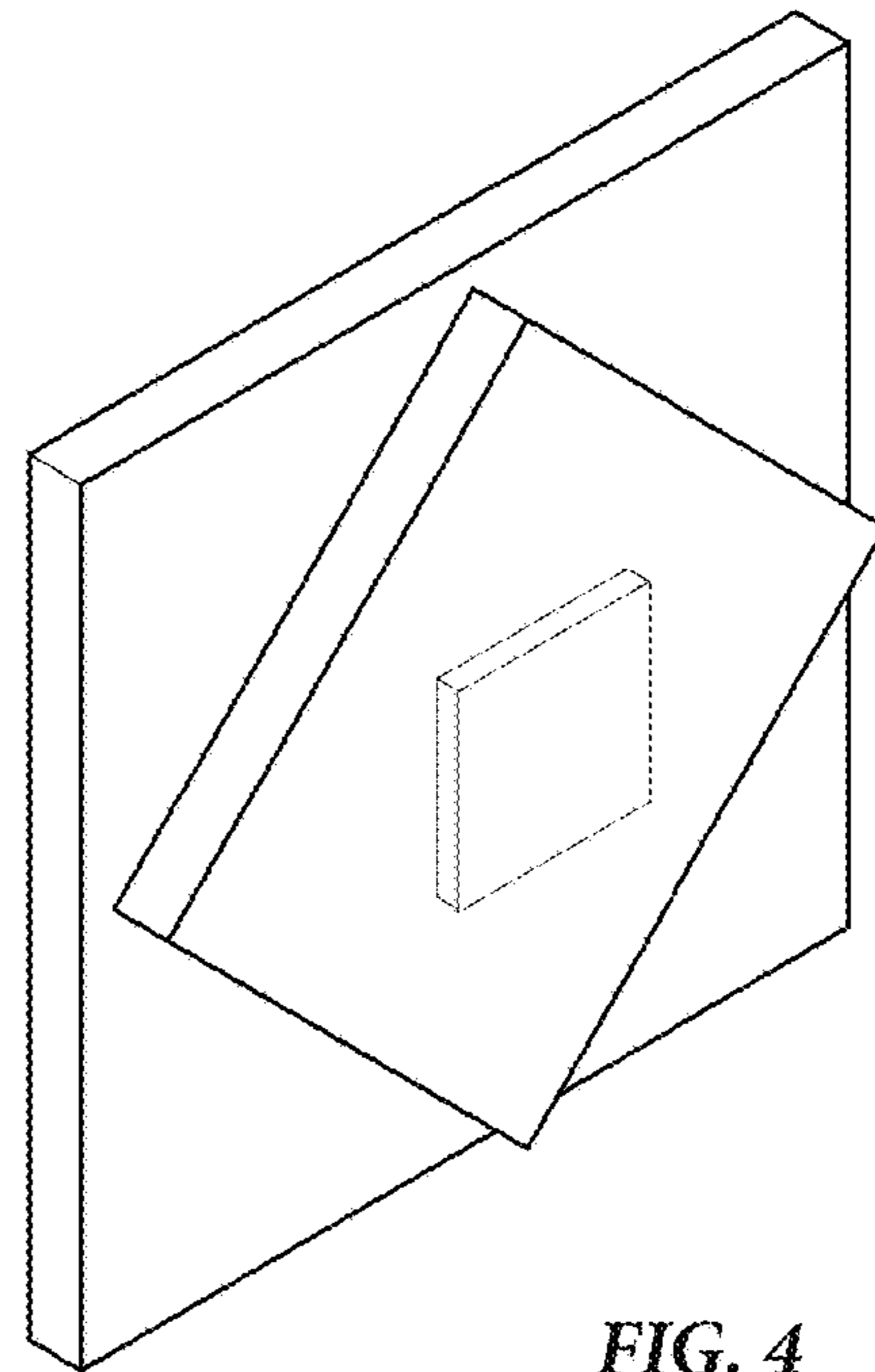


FIG. 4

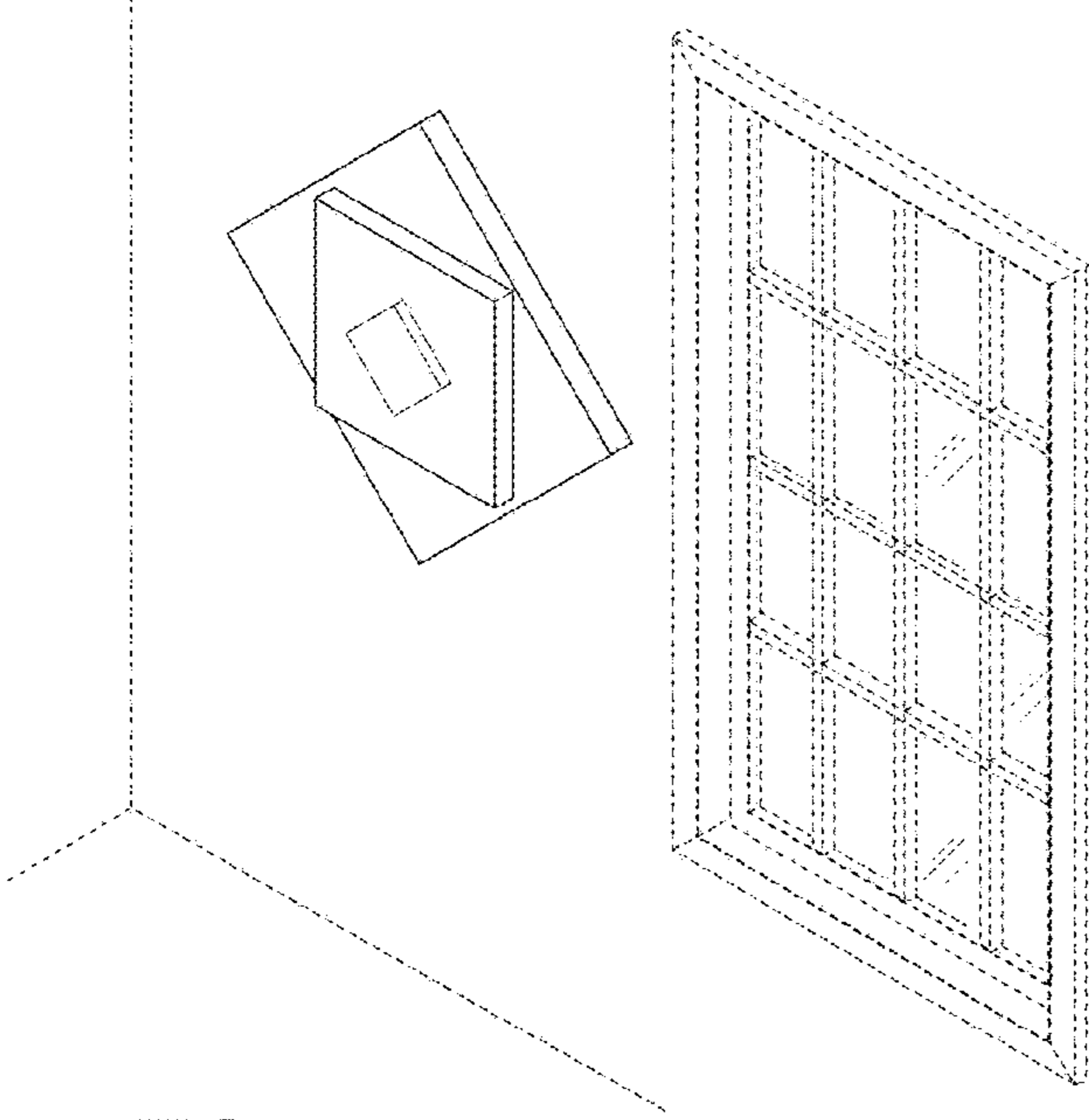


FIG. 5

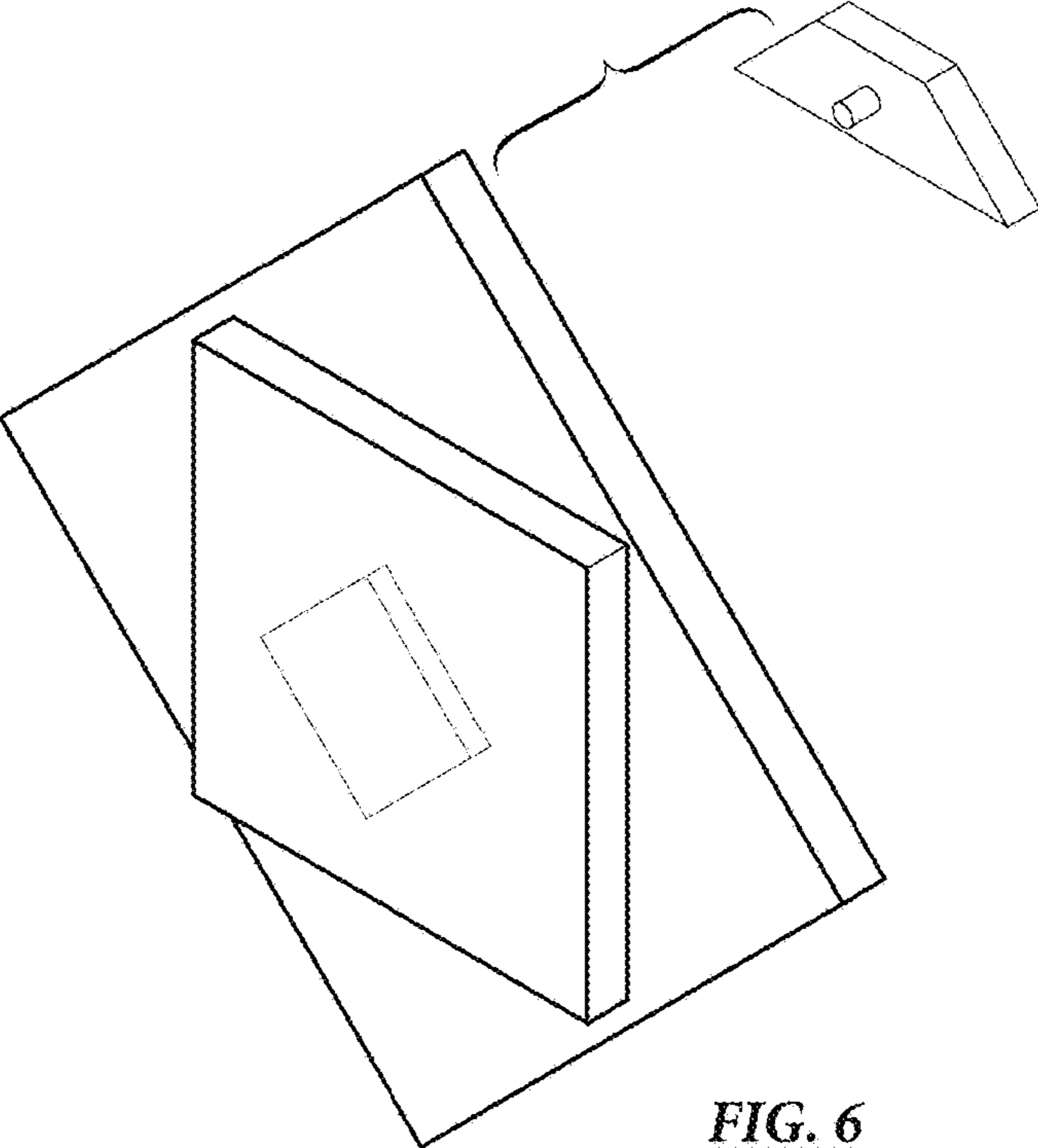


FIG. 6

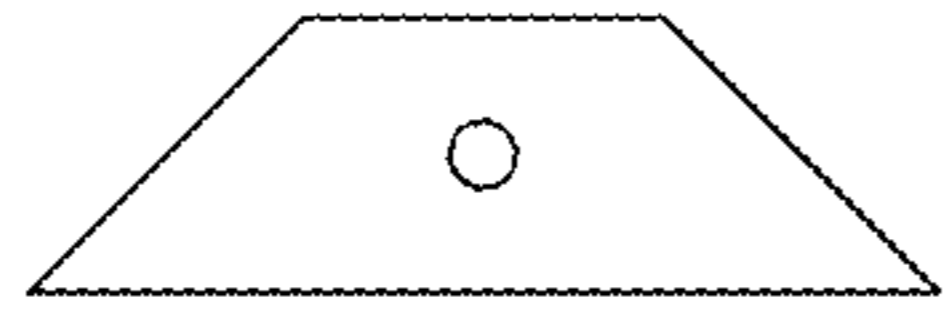


FIG. 7

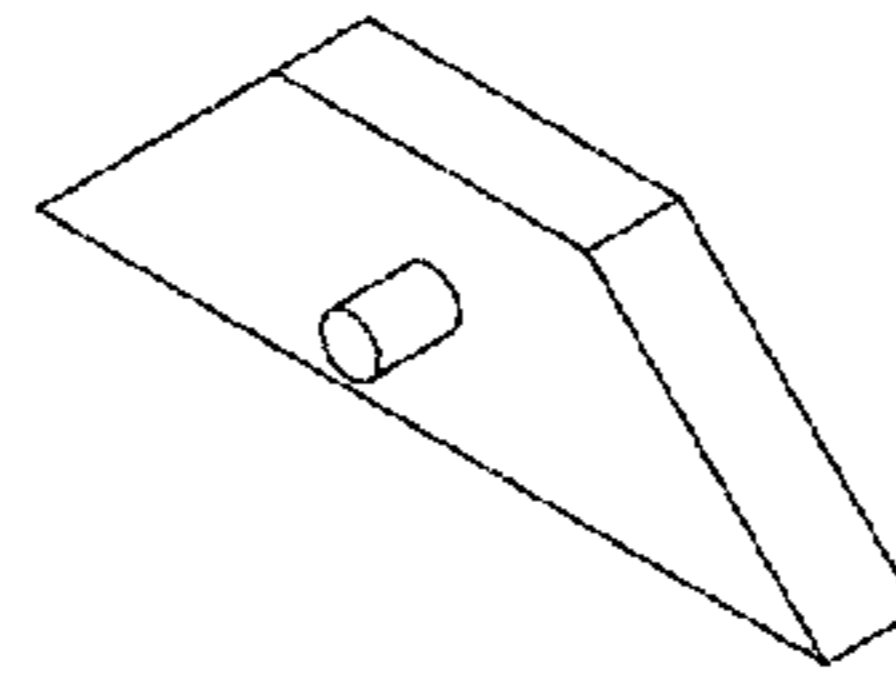


FIG. 8