



US00D820146S

(12) **United States Design Patent**
McGough

(10) **Patent No.:** **US D820,146 S**
(45) **Date of Patent:** **** Jun. 12, 2018**

(54) **HOLOGRAPHIC ORNAMENT**

(71) Applicant: **Frank McGough**, Weddington, NC
(US)

(72) Inventor: **Frank McGough**, Weddington, NC
(US)

(**) Term: **15 Years**

(21) Appl. No.: **29/585,308**

(22) Filed: **Nov. 22, 2016**

Related U.S. Application Data

(63) Continuation-in-part of application No. 14/559,340, filed on Dec. 3, 2014, which is a continuation-in-part of application No. PCT/US2013/045783, filed on Jun. 14, 2013.

(51) **LOC (11) Cl.** **11-05**

(52) **U.S. Cl.**
USPC **D11/121**

(58) **Field of Classification Search**

USPC D11/117, 121, 124, 130, 131, 132, 164;
D26/1, 24; 362/605, 644, 311.13, 806,
362/249.14, 249.15, 249.16, 186; 428/7,
428/8, 9
CPC A47G 33/00; A47G 33/08; A47G 33/0836;
A47G 2033/0827; B44C 5/00; B44C
5/04; B44C 5/0407; B44C 5/0415; F21W
2121/00

See application file for complete search history.

(56) **References Cited**

U.S. PATENT DOCUMENTS

3,694,648 A * 9/1972 Yates A47G 33/08
359/799
3,873,880 A * 3/1975 Riddell A47G 33/08
315/161

D253,998 S * 1/1980 Sun D11/121
D266,749 S * 11/1982 Sun D11/121
D277,269 S * 1/1985 Williams D11/121
4,940,301 A * 7/1990 Sallai G03H 1/22
356/447
D318,605 S * 7/1991 Dudley D11/117
5,101,193 A * 3/1992 Smith B60Q 1/302
340/468
5,138,604 A * 8/1992 Umeda G03H 1/22
235/457
5,296,948 A * 3/1994 Chen G03H 1/22
359/1
5,452,282 A * 9/1995 Abraham G11B 7/0079
359/1

(Continued)

Primary Examiner — Elizabeth J Oswecki

(74) *Attorney, Agent, or Firm* — Trego, Hines & Ladenheim, PLLC

(57) **CLAIM**

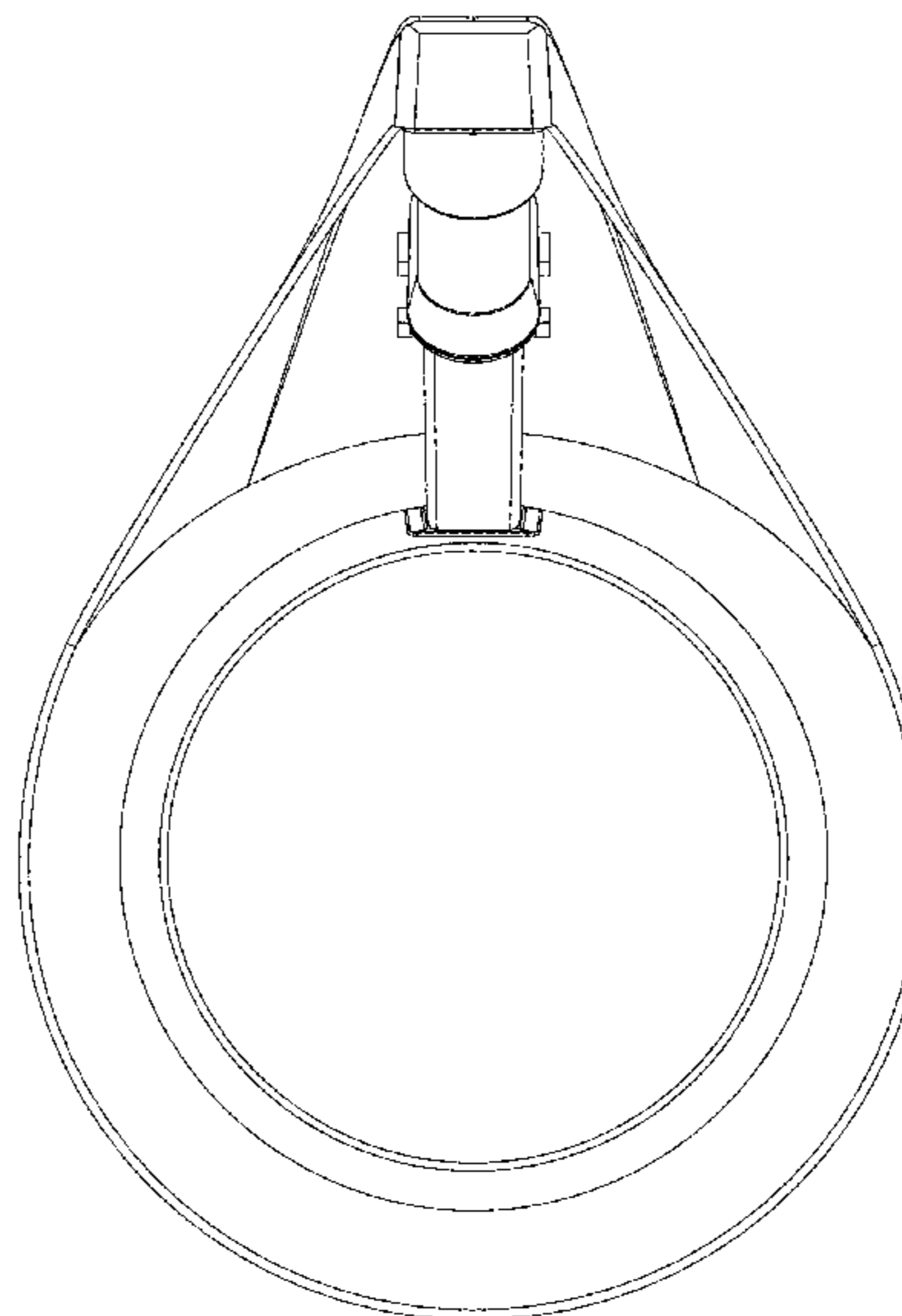
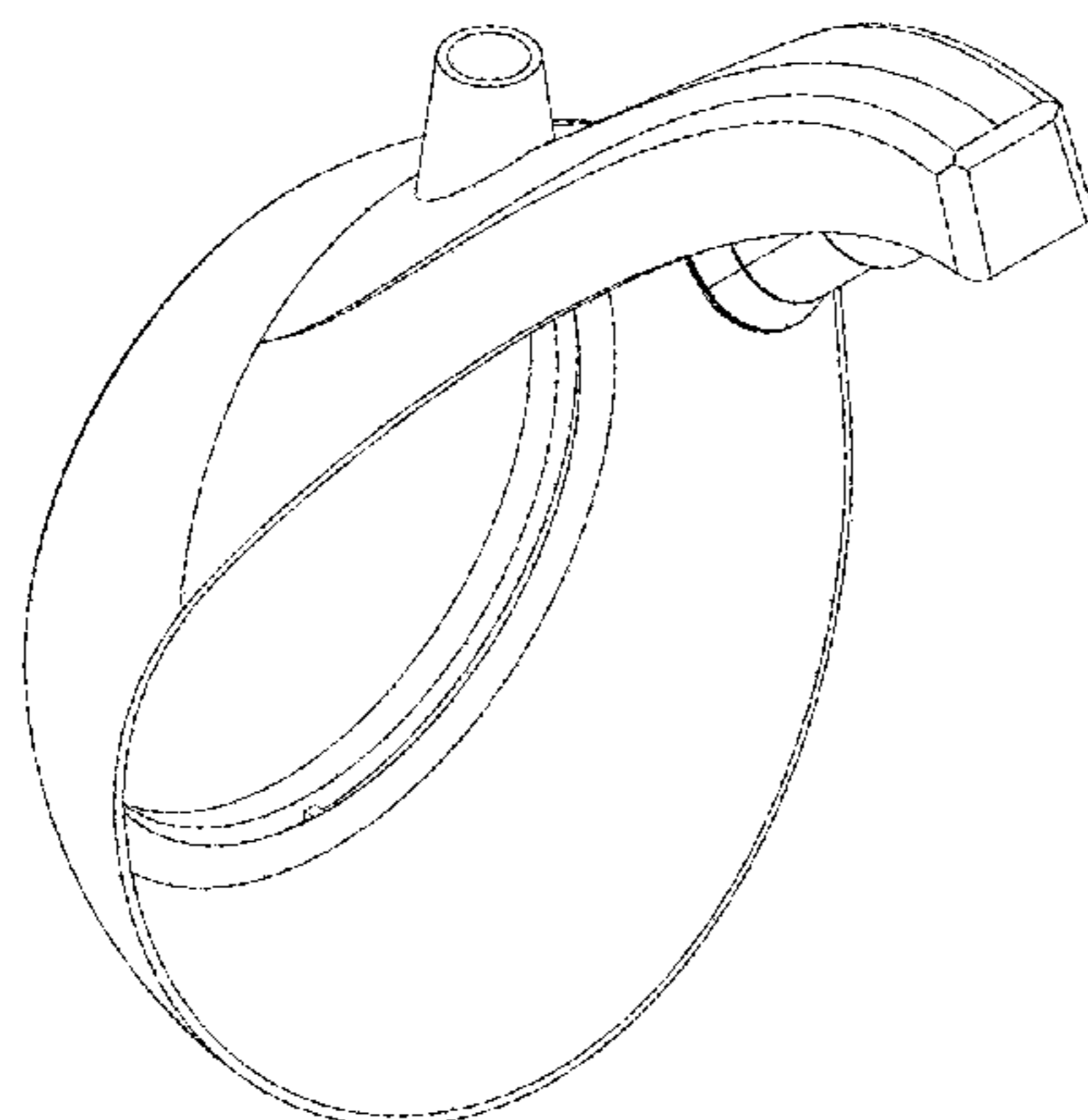
The ornamental design for a holographic ornament, as shown and described.

DESCRIPTION

FIG. 1 is a perspective view of a holographic ornament showing my new design;
FIG. 2 is a front elevational view of the holographic ornament of FIG. 1;
FIG. 3 is a rear elevational view of the holographic ornament of FIG. 1;
FIG. 4 is a left side elevational view of the holographic ornament of FIG. 1, the right side being a mirror image thereof;
FIG. 5 is a top plan view of the holographic ornament of FIG. 1; and,
FIG. 6 is a bottom plan view of the holographic ornament of FIG. 1.

The broken lines shown in the figures are for environmental purposes only and form no part of the claimed design.

1 Claim, 6 Drawing Sheets



(56)

References Cited

U.S. PATENT DOCUMENTS

5,703,703 A * 12/1997 Yamate G02B 5/32
359/1
5,822,088 A * 10/1998 Danno G03H 1/22
359/1
6,062,693 A * 5/2000 Sato G02B 5/1876
353/10
D427,936 S * 7/2000 Reif D11/121
D435,803 S * 1/2001 Viele D11/121
6,464,358 B1 * 10/2002 Shirakura G03B 21/00
353/119
6,552,830 B2 * 4/2003 Long G03H 1/041
359/10
D491,484 S * 6/2004 Tyler D11/121
7,110,796 B2 * 9/2006 Lee G02B 27/0103
345/32
7,151,623 B2 * 12/2006 Leiber G03H 1/0244
359/3
D614,989 S * 5/2010 Nakamura D11/121
7,727,678 B2 * 6/2010 Stadler G03H 1/02
359/3
8,314,989 B1 * 11/2012 Mossberg G02B 5/1819
359/567
8,317,379 B2 * 11/2012 Oomen B60Q 1/0017
362/518
D678,120 S * 3/2013 Reetz D11/121
8,398,269 B1 * 3/2013 Loomis F21L 4/02
362/186
8,690,339 B2 * 4/2014 Lenchenkov G03H 1/0005
353/10

* cited by examiner

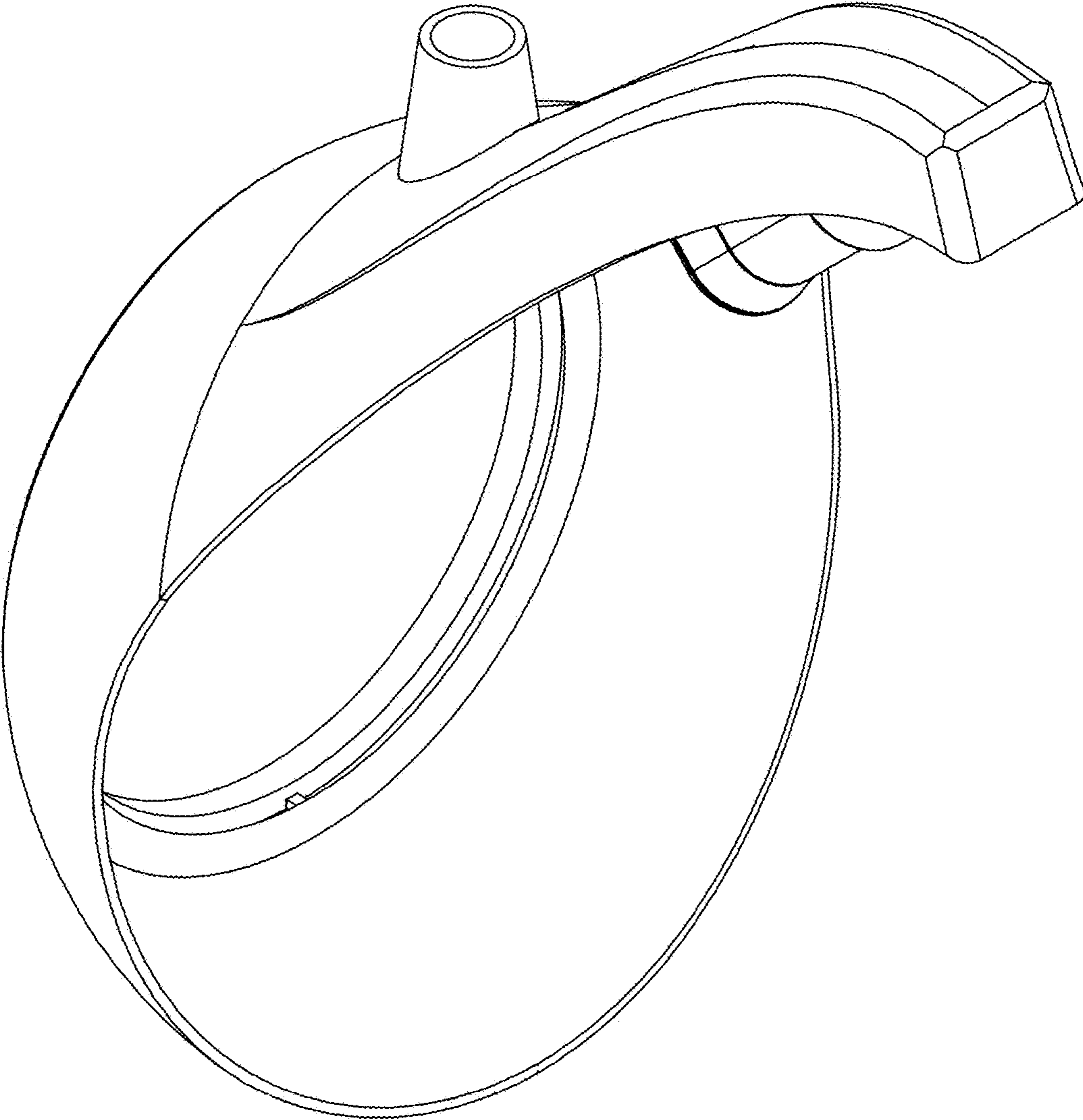


FIG. 1

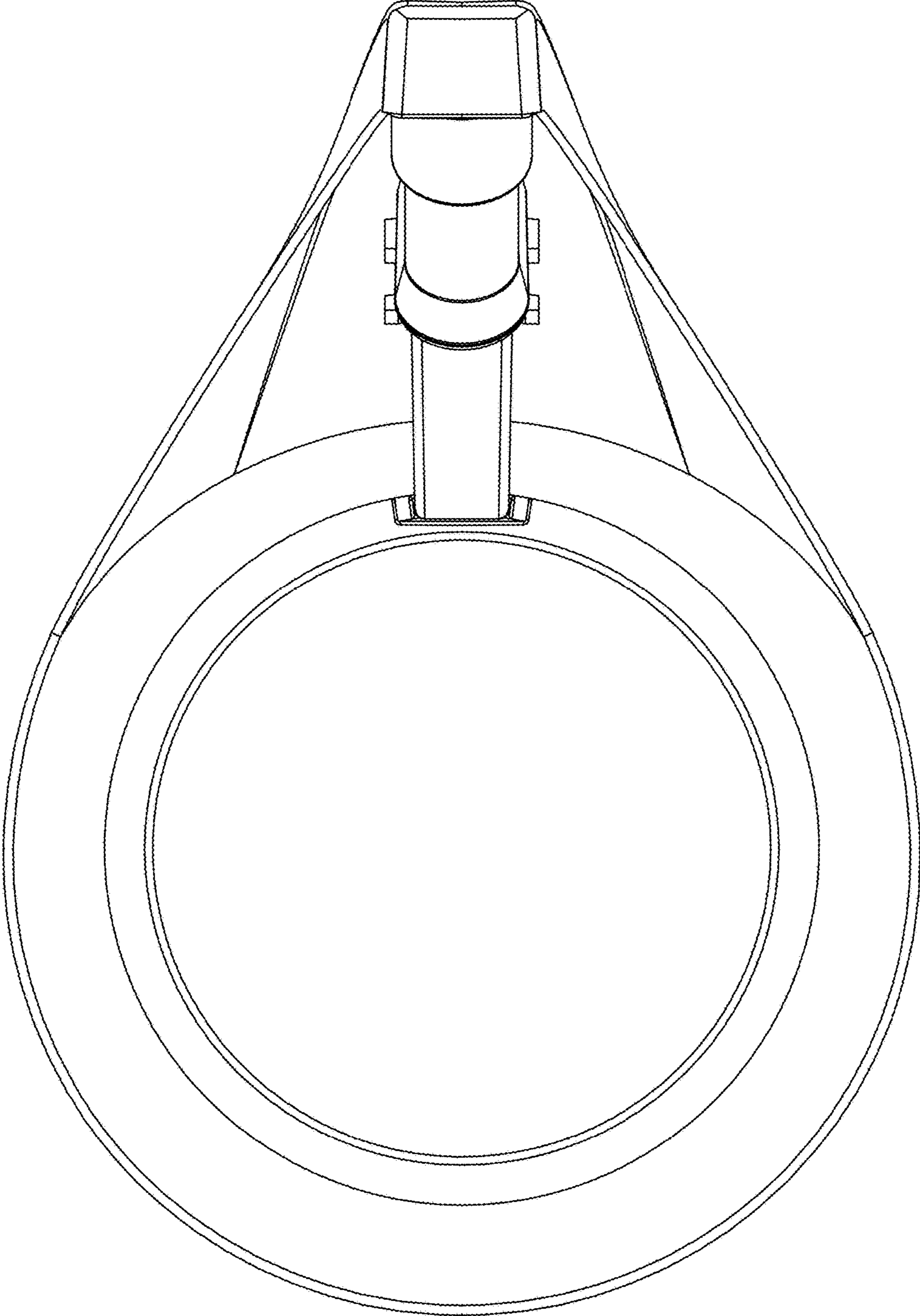


FIG. 2

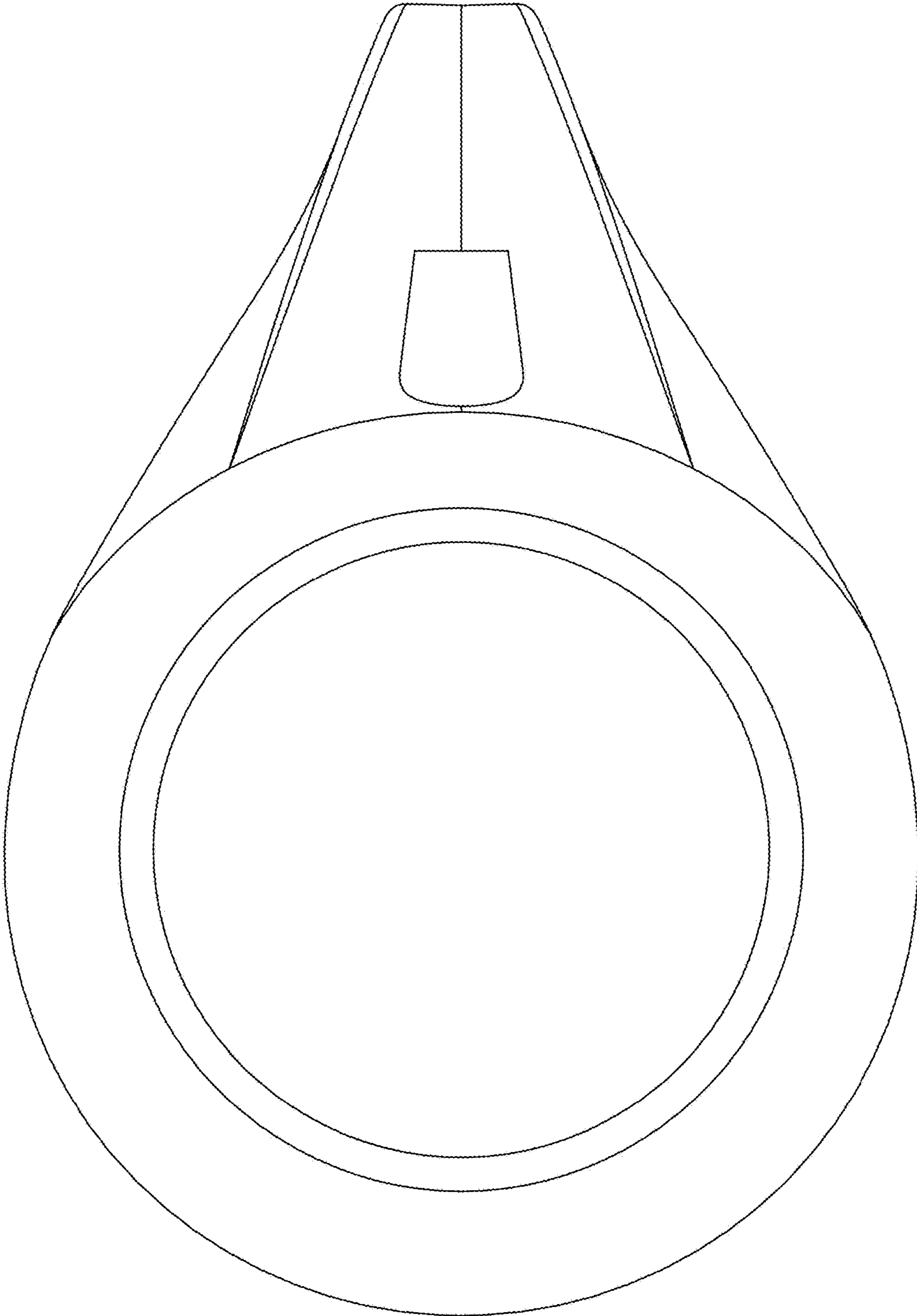


FIG. 3

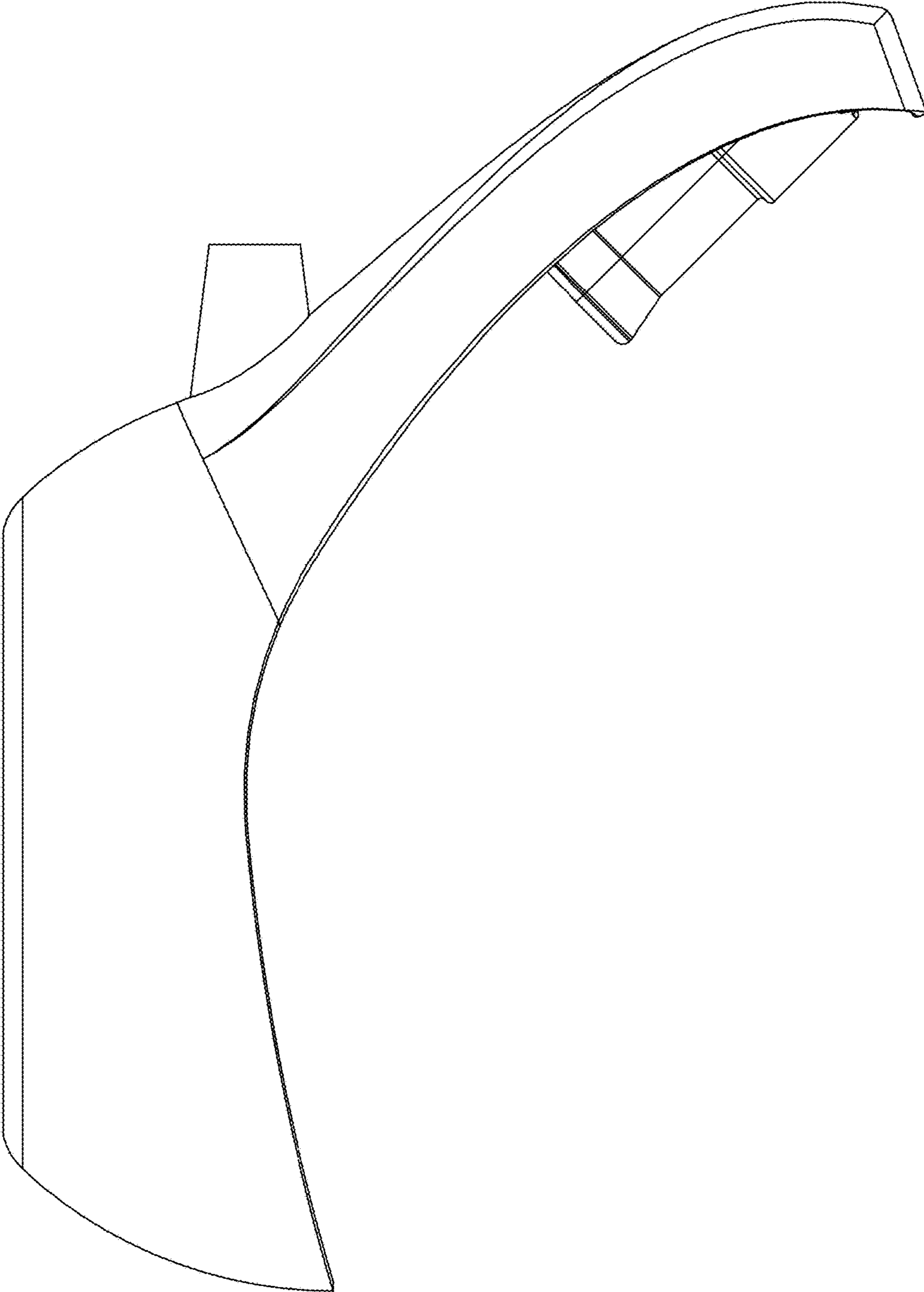


FIG. 4

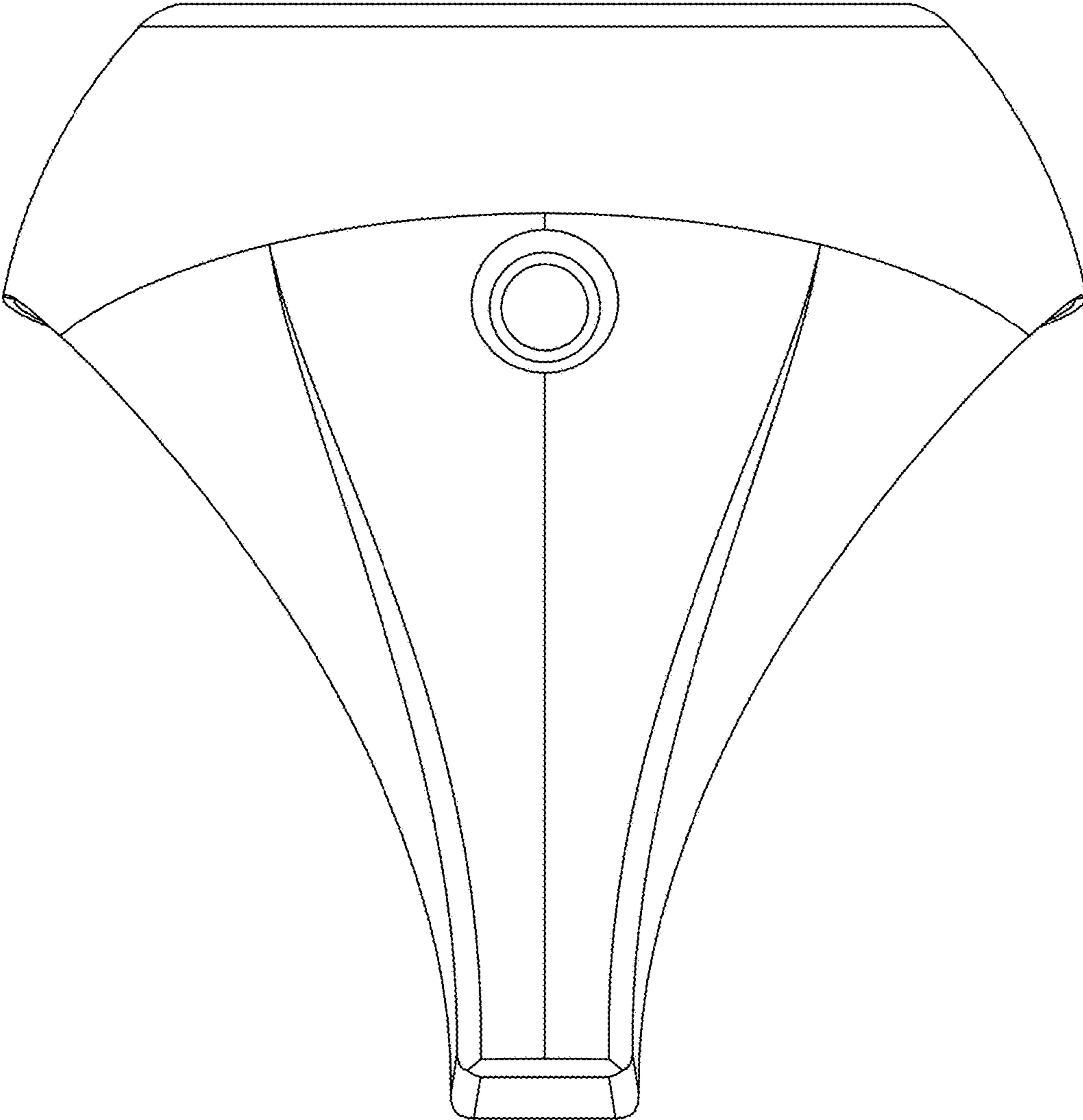


FIG. 5

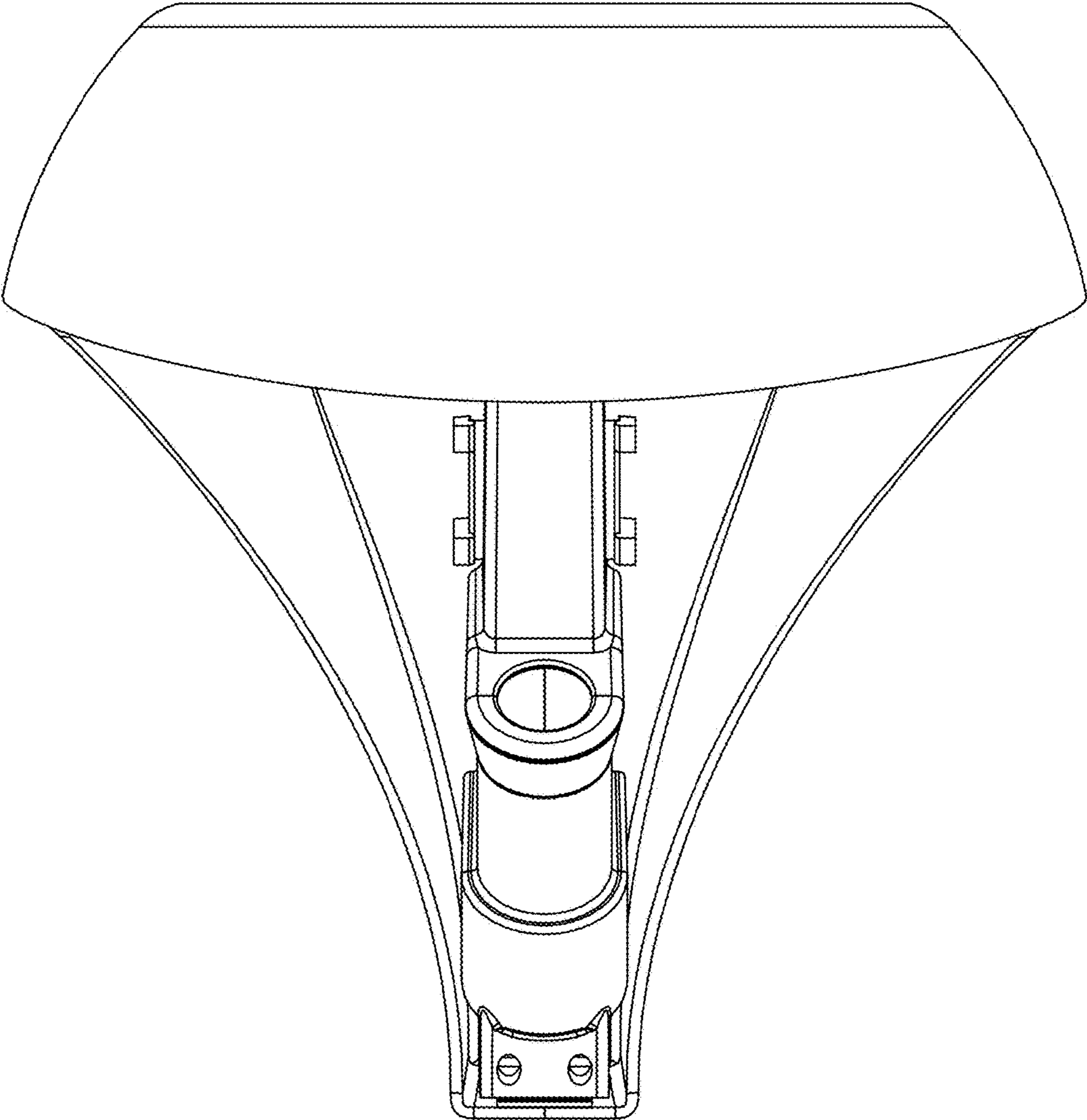


FIG. 6