



US00D820136S

(12) **United States Design Patent** (10) **Patent No.:** **US D820,136 S**
Scalisi (45) **Date of Patent:** **** Jun. 12, 2018**

(54) **DOORBELL**
(71) Applicant: **SkyBell Technologies, Inc.**, Irvine, CA (US)
(72) Inventor: **Joseph Frank Scalisi**, Yorba Linda, CA (US)
(73) Assignee: **SkyBell Technologies, Inc.**, Irvine, CA (US)
(**) Term: **15 Years**

D435,577 S 12/2000 McBride
D442,617 S 5/2001 Ohmori
D455,767 S 4/2002 Tsang
D455,768 S 4/2002 Tsang
D480,741 S 10/2003 Berger
D487,939 S 3/2004 Smith
D494,287 S 8/2004 Matsui
6,812,970 B1 11/2004 McBride
D500,751 S 1/2005 Yukikado
D509,842 S 9/2005 Ou
7,015,943 B2 3/2006 Chiang
D519,100 S 4/2006 Shioya
D522,490 S 6/2006 Yukikado

(Continued)

(21) Appl. No.: **29/552,566**
(22) Filed: **Jan. 22, 2016**
(51) **LOC (11) Cl.** **10-05**
(52) **U.S. Cl.**
USPC **D10/118.2**
(58) **Field of Classification Search**
USPC D10/118-118.2
CPC G08B 3/10
See application file for complete search history.

OTHER PUBLICATIONS

MySkyBell.com (later SkyBell.com)—Downloaded on Nov. 18, 2013 from <http://www.myskybell.com>.

(Continued)

Primary Examiner — George D. Kirschbaum

(57) **CLAIM**

The ornamental design for a doorbell, as shown and described.

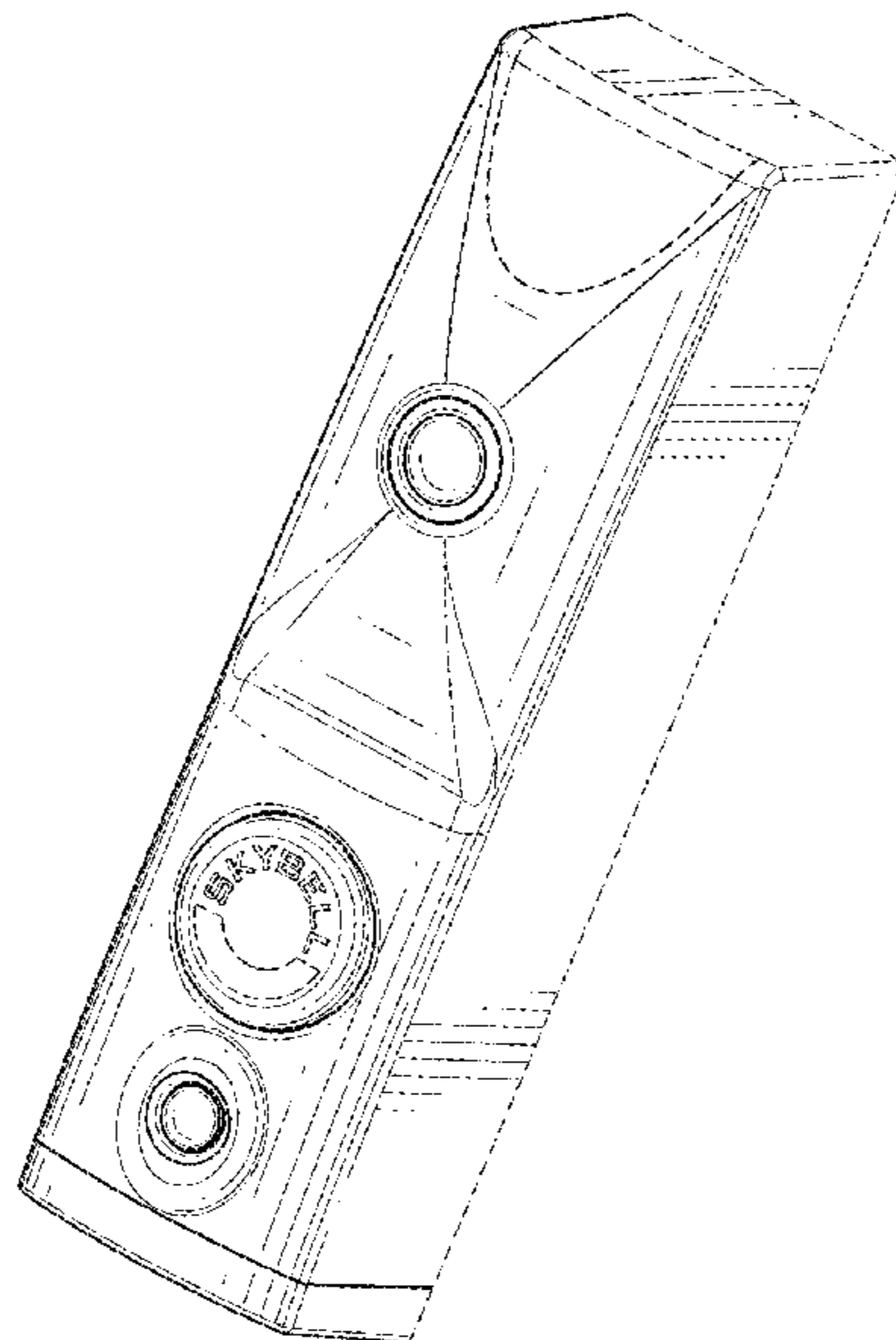
DESCRIPTION

FIG. 1 is a front, side, and top perspective view of a doorbell embodying the new design;
FIG. 2 is a back, side, and bottom perspective view thereof;
FIG. 3 is a front view thereof;
FIG. 4 is a back view thereof;
FIG. 5 is a first side view thereof, the second side view being a mirror image;
FIG. 6 is a top view thereof; and,
FIG. 7 is a bottom view thereof.
The broken lines depict portions of a doorbell in which the design is embodied and form no part of the claimed design.

1 Claim, 3 Drawing Sheets

(56) **References Cited**
U.S. PATENT DOCUMENTS

D179,803 S 3/1957 Gillette
D225,379 S 12/1972 Gallagher
D283,130 S 3/1986 Boenning
D297,222 S 8/1988 Rauch
5,127,244 A 7/1992 Myers
5,345,794 A 9/1994 Jenks
D371,086 S 6/1996 Collins
D381,638 S 7/1997 Kruse
5,671,624 A 9/1997 Sivils
D395,814 S 7/1998 Yang
D404,673 S 1/1999 Gordon
6,016,677 A 1/2000 Clark
D422,521 S 4/2000 Morrow
D422,893 S 4/2000 Heredos-Formby
D435,576 S 12/2000 McBride



(56)

References Cited

U.S. PATENT DOCUMENTS

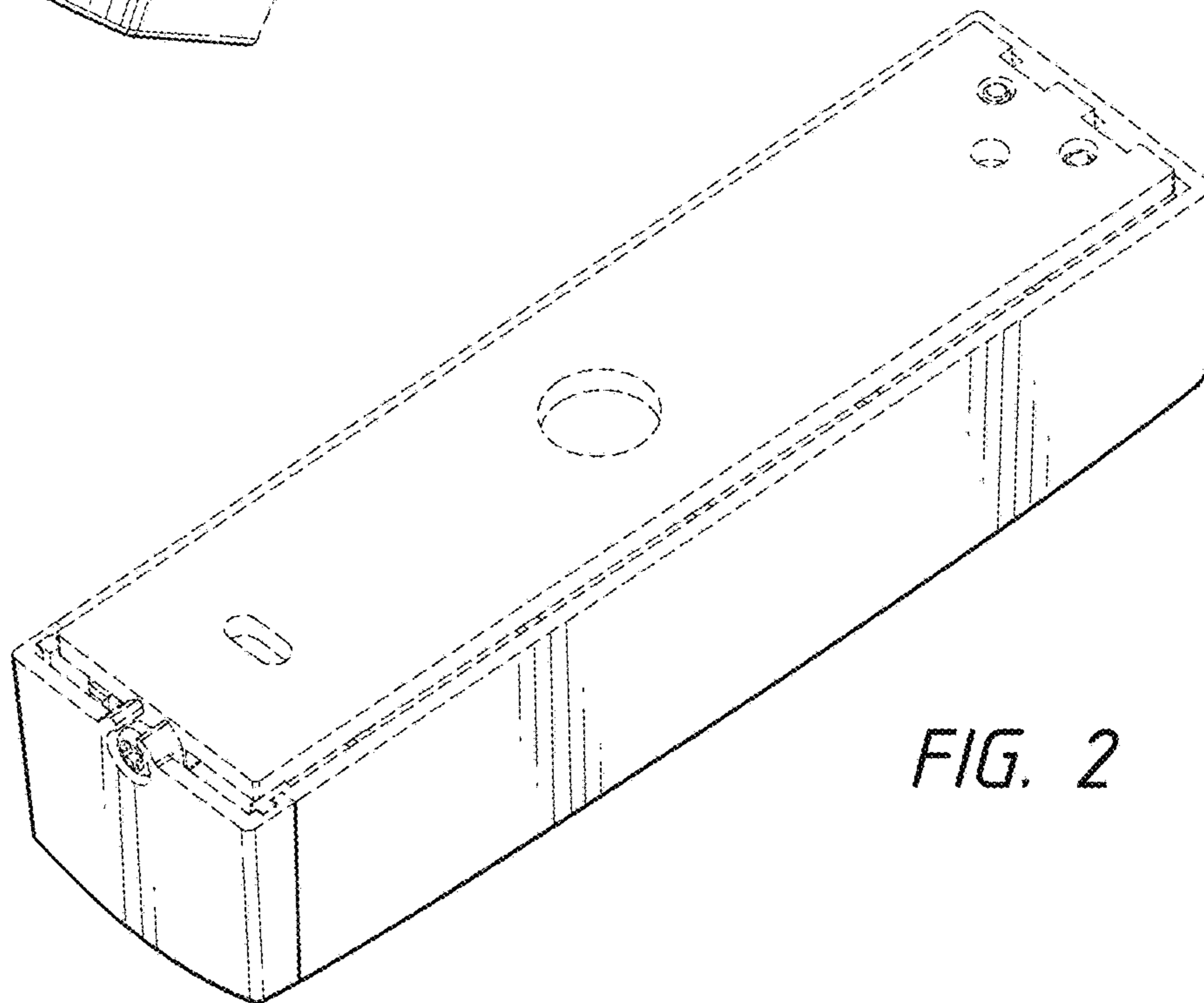
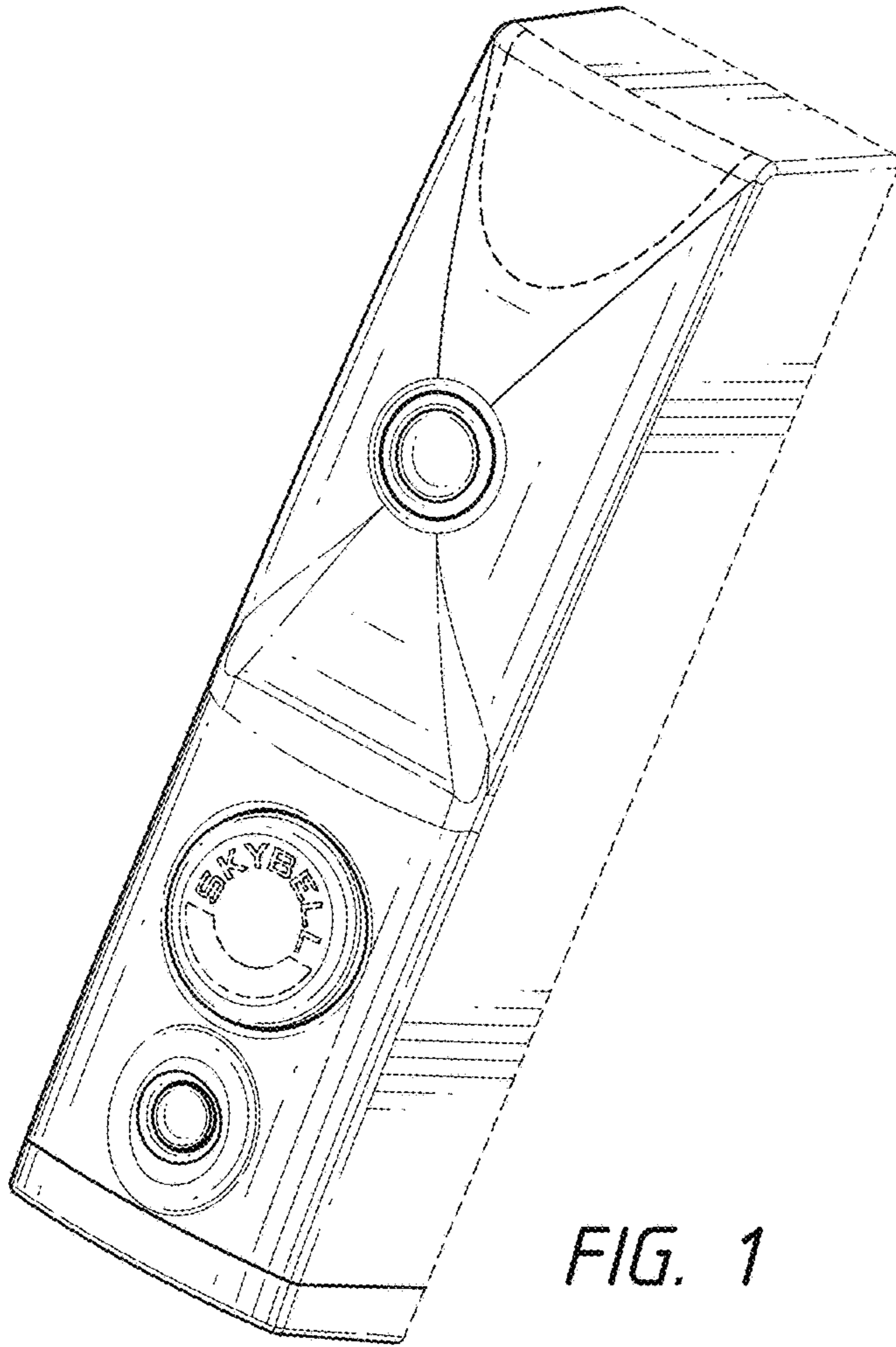
D525,963 S 8/2006 Yukikado
 7,113,578 B2 9/2006 Unger
 D531,160 S 10/2006 Yukikado
 D534,566 S 1/2007 Ishii
 D537,095 S 2/2007 Alden
 D562,306 S 2/2008 Jeong
 D574,742 S * 8/2008 Spencer D10/118
 D575,316 S 8/2008 Liu
 D577,301 S 9/2008 Johnson
 D588,574 S 3/2009 Takahata
 D592,231 S 5/2009 Schnell
 D594,311 S 6/2009 Stevens
 D595,260 S 6/2009 Takahata
 D605,542 S * 12/2009 Ho D10/118
 D634,181 S 3/2011 Kang
 D636,286 S * 4/2011 Khor D10/118
 D645,071 S 9/2011 Hinkel
 D646,801 S 10/2011 Chou
 D657,410 S 4/2012 Helouai
 D660,819 S 5/2012 Chen
 D664,178 S 7/2012 Hinkel
 8,334,656 B2 12/2012 Weiss
 D677,297 S 3/2013 Bart
 D679,309 S 4/2013 Park
 D682,658 S 5/2013 Cramer
 D689,220 S 9/2013 Zhang
 D689,536 S 9/2013 Li
 D692,847 S 11/2013 Barley
 D694,305 S 11/2013 Katori
 D694,306 S 11/2013 Katori
 D709,754 S 7/2014 Lylyk
 8,780,201 B1 7/2014 Skybell
 D710,676 S 8/2014 Kiechel
 D710,728 S * 8/2014 Siminoff D10/118.1
 D711,275 S 8/2014 Skybell
 8,823,795 B1 9/2014 Skybell
 8,834,044 B2 9/2014 Uehara
 8,842,180 B1 9/2014 Skybell
 8,872,915 B1 10/2014 Skybell
 D719,205 S 12/2014 Matsumoto
 D719,994 S 12/2014 Wang
 D721,755 S 1/2015 Åhman
 8,937,659 B1 1/2015 Skybell
 8,941,736 B1 1/2015 Skybell
 D722,709 S 2/2015 Bosua
 8,947,530 B1 2/2015 Skybell
 8,953,040 B1 2/2015 Skybell
 D727,769 S 4/2015 Skybell
 D727,989 S 4/2015 Hasuda
 9,013,575 B2 4/2015 Skybell
 D728,655 S 5/2015 Daniel
 D729,678 S 5/2015 Skybell

D729,859 S 5/2015 Shin
 9,049,352 B2 6/2015 Skybell
 9,055,202 B1 6/2015 Skybell
 9,058,738 B1 6/2015 Skybell
 9,060,103 B2 6/2015 Skybell
 9,060,104 B2 6/2015 Skybell
 9,065,987 B2 6/2015 Skybell
 D733,780 S 7/2015 Chen
 D734,801 S 7/2015 Yang
 9,094,584 B2 7/2015 Skybell
 D736,294 S 8/2015 Skybell
 D737,283 S 8/2015 Skybell
 9,113,051 B1 8/2015 Skybell
 9,113,052 B1 8/2015 Skybell
 9,118,819 B1 8/2015 Skybell
 9,142,214 B2 9/2015 Skybell
 D740,873 S 10/2015 Skybell
 9,160,987 B1 10/2015 Skybell
 9,165,444 B2 10/2015 Skybell
 9,172,920 B1 10/2015 Kskybell
 9,172,921 B1 10/2015 Skybell
 9,172,922 B1 10/2015 Skybell
 9,179,107 B1 11/2015 Skybell
 9,179,108 B1 11/2015 Skybell
 9,179,109 B1 11/2015 Skybell
 9,196,133 B2 11/2015 Skybell
 9,197,867 B1 11/2015 Skybell
 D764,958 S * 8/2016 Scalisi D10/118.2
 D765,530 S * 9/2016 Scalisi D10/118.2
 D778,195 S * 2/2017 Li D10/118.2
 D787,359 S * 5/2017 Scalisi D10/118.2
 D789,820 S * 6/2017 Siminoff D10/118.2
 D793,268 S * 8/2017 Ye D10/118.2
 D801,843 S * 11/2017 Siminoff D10/118.1
 D802,463 S * 11/2017 Siminoff D10/118.2
 2004/0124978 A1 * 7/2004 Chen G08B 3/10
 340/539.14
 2008/0036862 A1 2/2008 Lang
 2011/0156566 A1 6/2011 Chen
 2013/0045763 A1 2/2013 Ruiz
 2014/0125754 A1 5/2014 Haywood
 2015/0022618 A1 1/2015 Siminoff
 2015/0049191 A1 2/2015 Skybell

OTHER PUBLICATIONS

DefenDoor by Glate LLC—Downloaded on Dec. 11, 2014 from <https://www.kickstarter.com/projects/85455040/defendoor-a-home-security-system-that-syncs-with-y>.
 EyeTalk—Downloaded on May 24, 2013 from <http://www.revolutionaryconceptsinc.com/forhome.html>.
 August Smart Lock—Downloaded on Oct. 10, 2014 from www.august.com.

* cited by examiner



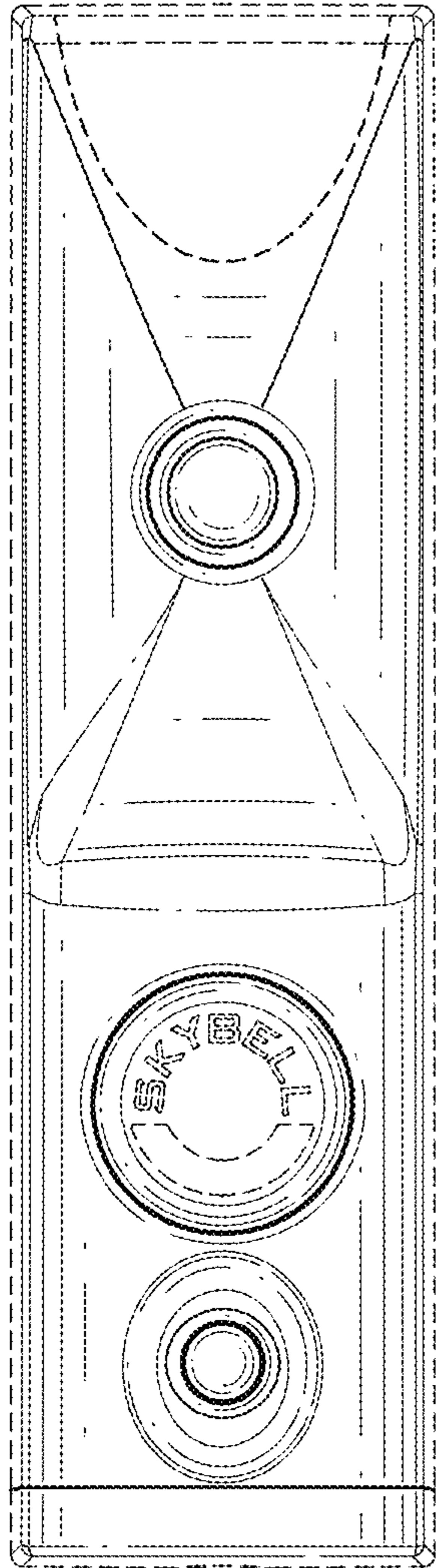


FIG. 3

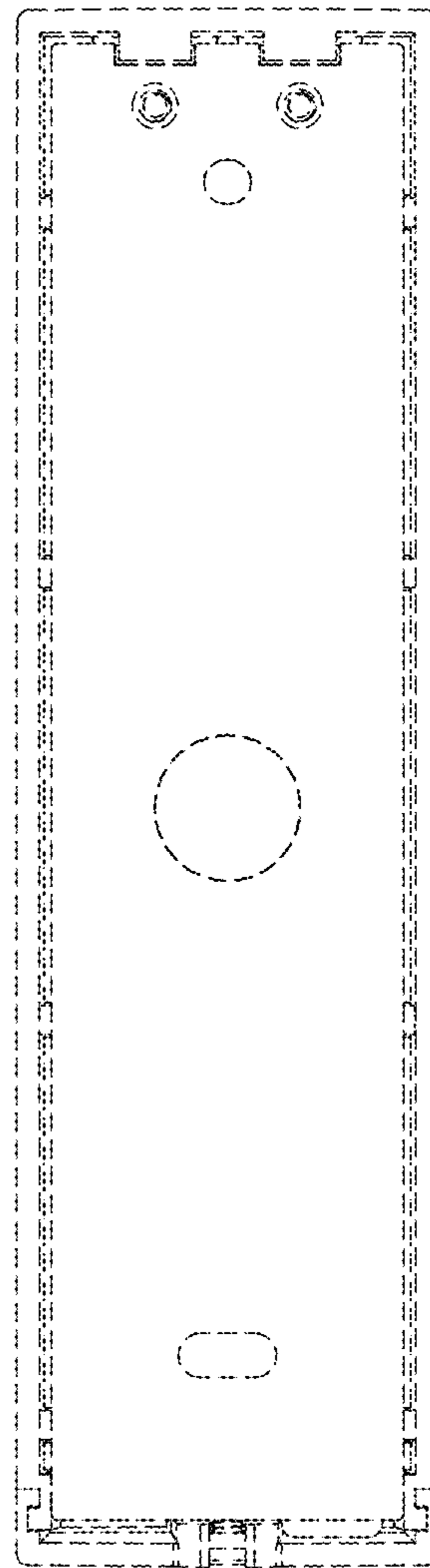


FIG. 4

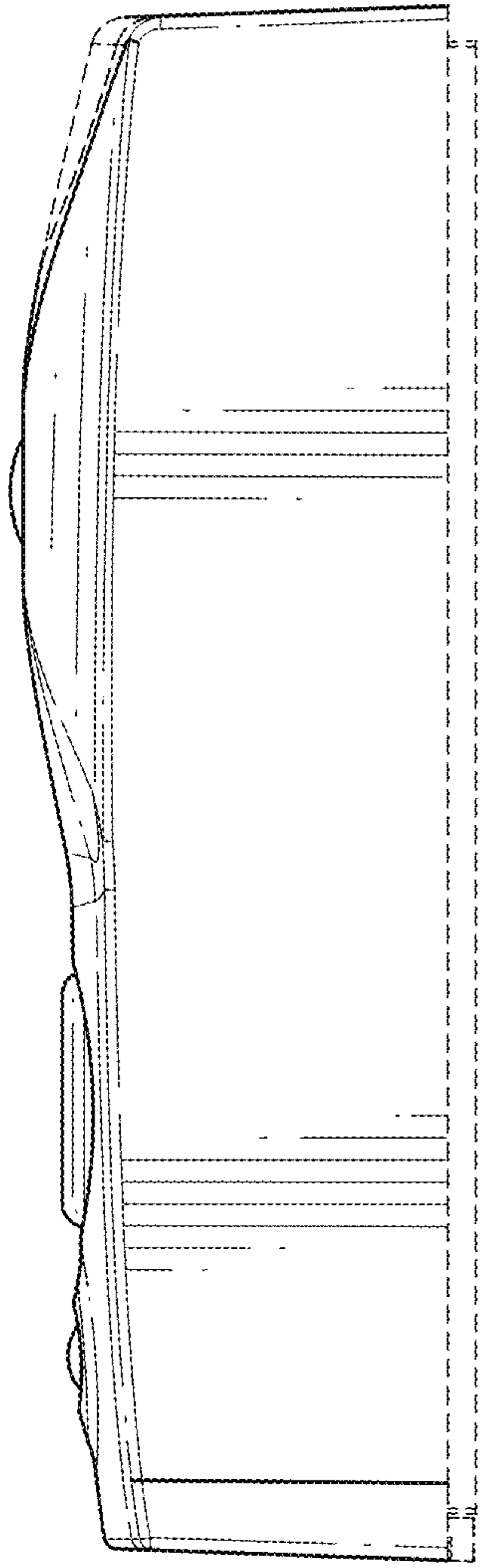


FIG. 5

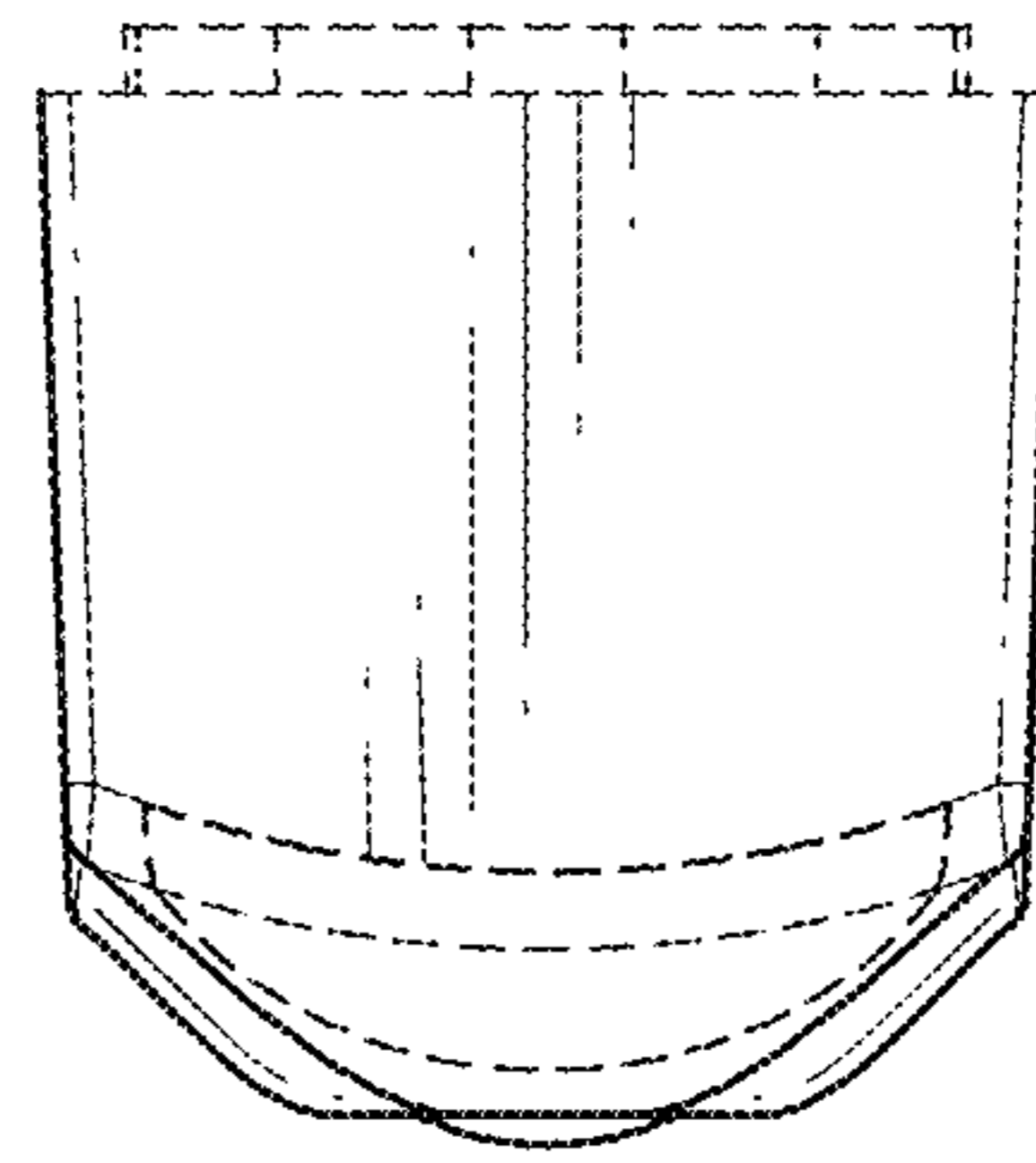


FIG. 6

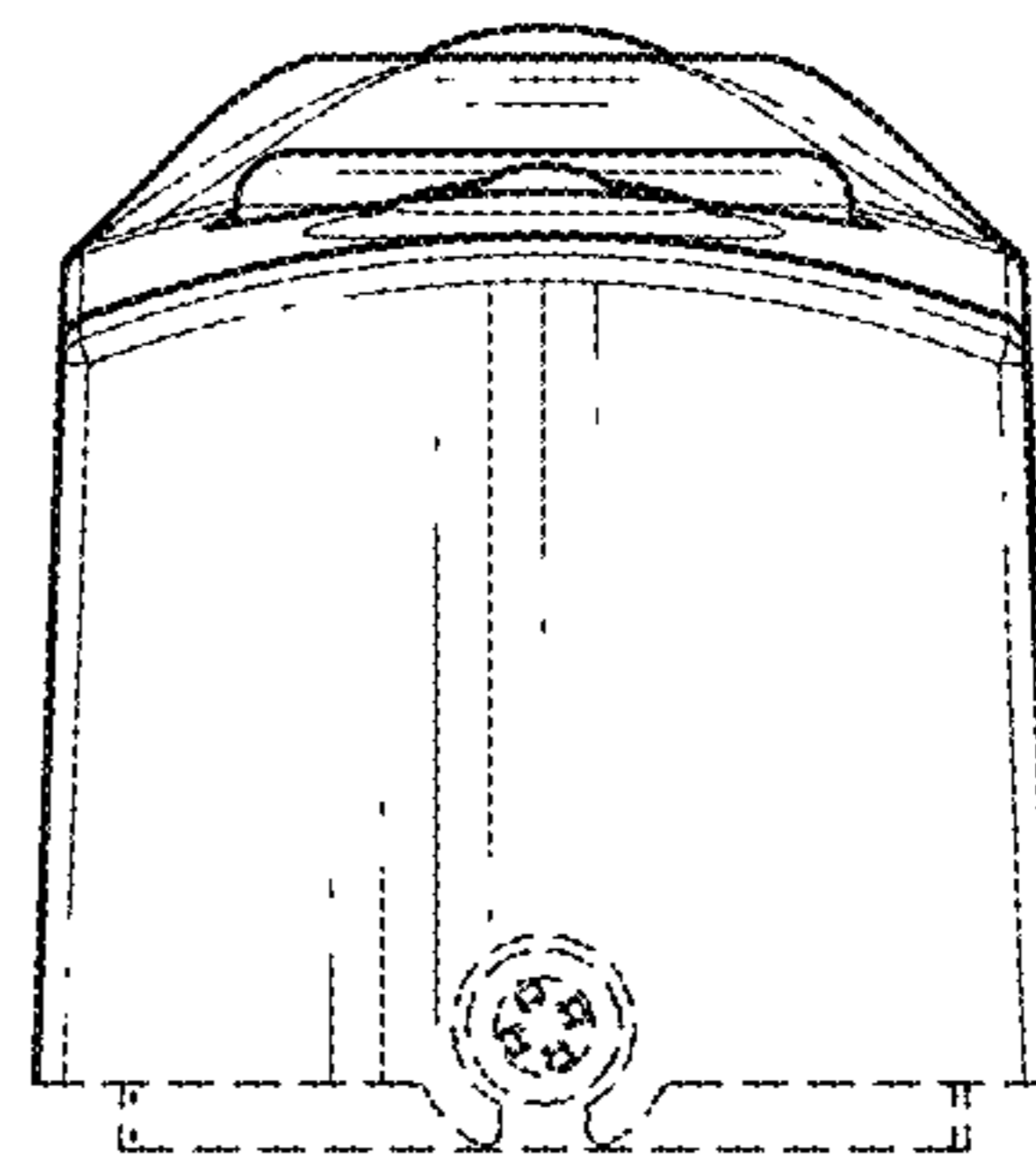


FIG. 7