



US00D820134S

(12) **United States Design Patent**
Lanham et al.

(10) **Patent No.:** **US D820,134 S**
(45) **Date of Patent:** **** Jun. 12, 2018**

(54) **FLOWMETER CASE**

(71) Applicant: **Micro Motion, Inc.**, Boulder, CO (US)

(72) Inventors: **Gregory Treat Lanham**, Longmont, CO (US); **Christopher A. Werbach**, Loveland, CO (US); **Linda Robb**, Broomfield, CO (US)

(73) Assignee: **Micro Motion, Inc.**, Boulder, CO (US)

(**) Term: **15 Years**

(21) Appl. No.: **29/586,329**

(22) Filed: **Dec. 2, 2016**

(51) **LOC (11) Cl.** **10-04**

(52) **U.S. Cl.**
USPC **D10/96**

(58) **Field of Classification Search**
USPC D10/96
CPC G01F 1/8472; G01F 1/8481; G01F 1/8468;
G01F 1/8436; G01F 1/8477; G01F
1/8418; G01F 1/8422; G01F 1/8427;
G01F 1/8431; G01F 1/844; G01F 1/8445;
G01F 1/8486; G01F 1/849; G01F 1/8495;
G01F 25/00; G01F 25/0007

See application file for complete search history.

(56) **References Cited**

U.S. PATENT DOCUMENTS

D668,979	S	*	10/2012	Robb	D10/96
D674,302	S	*	1/2013	Robb	D10/96
D741,737	S	*	10/2015	Feng	D10/96
D744,362	S	*	12/2015	Feng	D10/96
9,200,937	B2	*	12/2015	Werbach	G01F 1/8404

* cited by examiner

Primary Examiner — Antoine Duval Davis

(74) *Attorney, Agent, or Firm* — The Ollila Law Group LLC

(57) **CLAIM**

The ornamental design for a flowmeter case, substantially as shown and described.

DESCRIPTION

FIG. 1 is a perspective view of a flowmeter case showing our new design;

FIG. 2 is a front elevation view thereof;

FIG. 3 is a rear elevation view thereof;

FIG. 4 is a right side elevation view thereof;

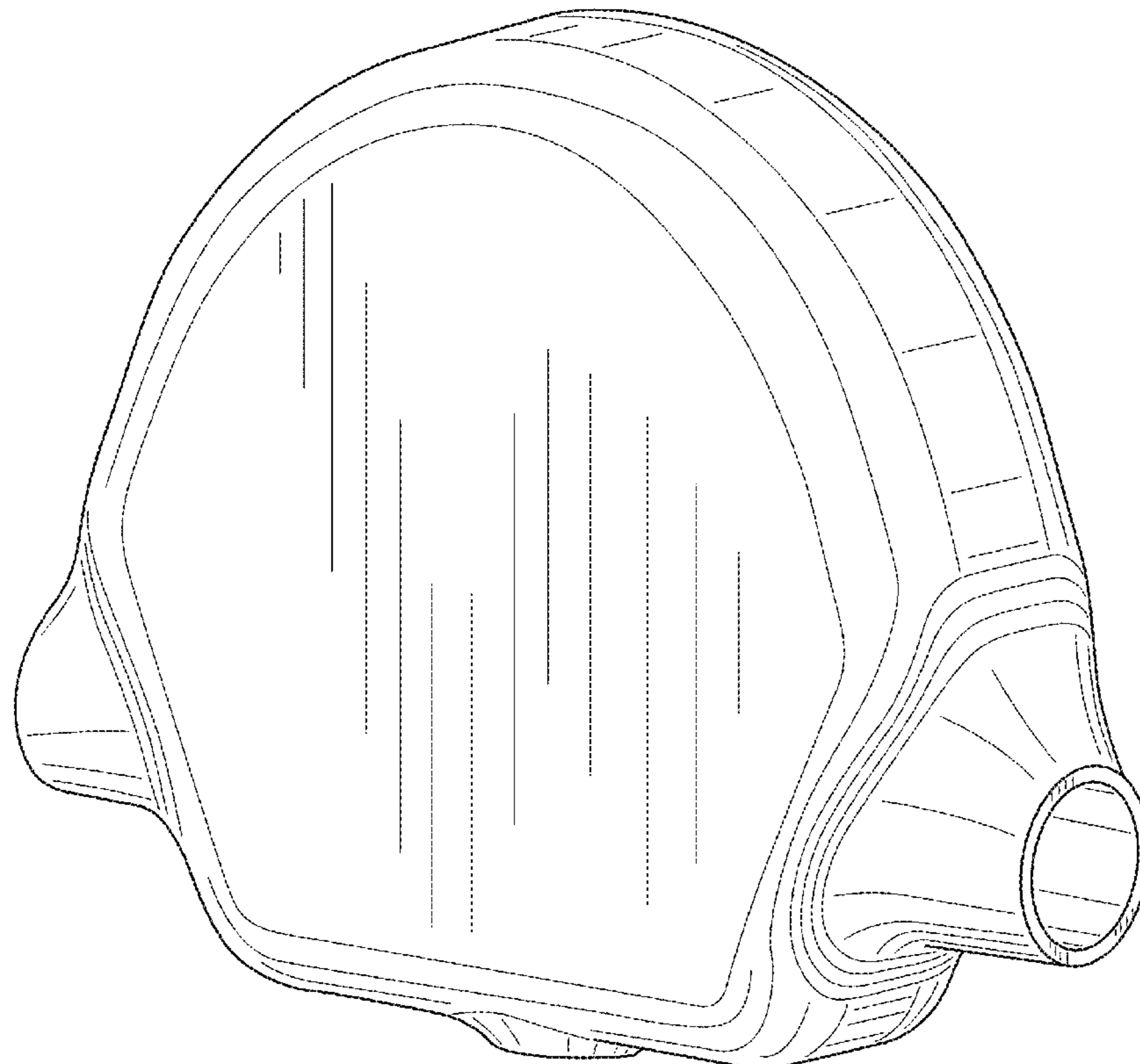
FIG. 5 is a left side elevation view thereof;

FIG. 6 is a top plan view thereof; and,

FIG. 7 is a bottom plan view thereof.

The flowmeter case is not limited to the scale shown herein.

1 Claim, 5 Drawing Sheets



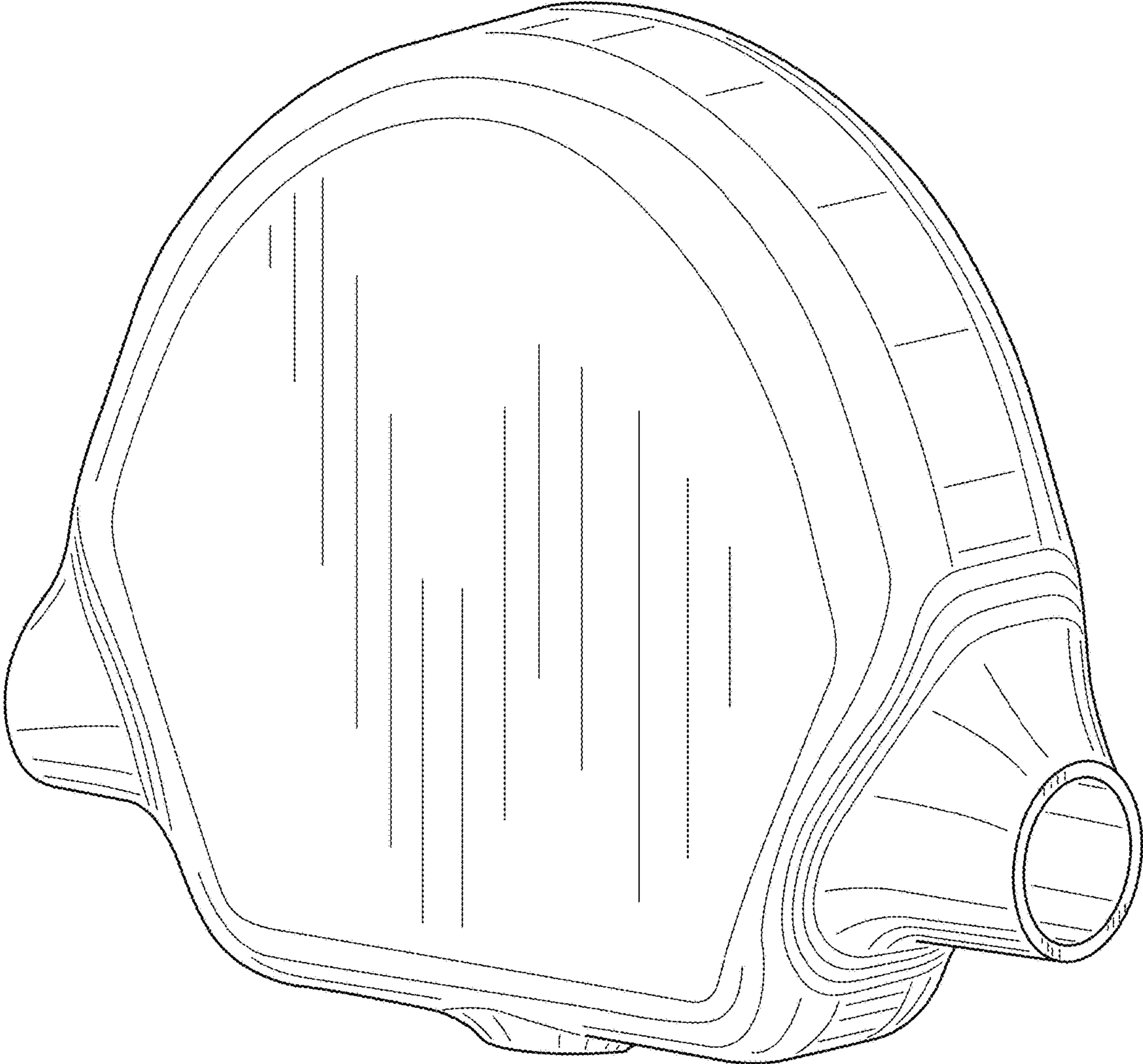


FIG. 1

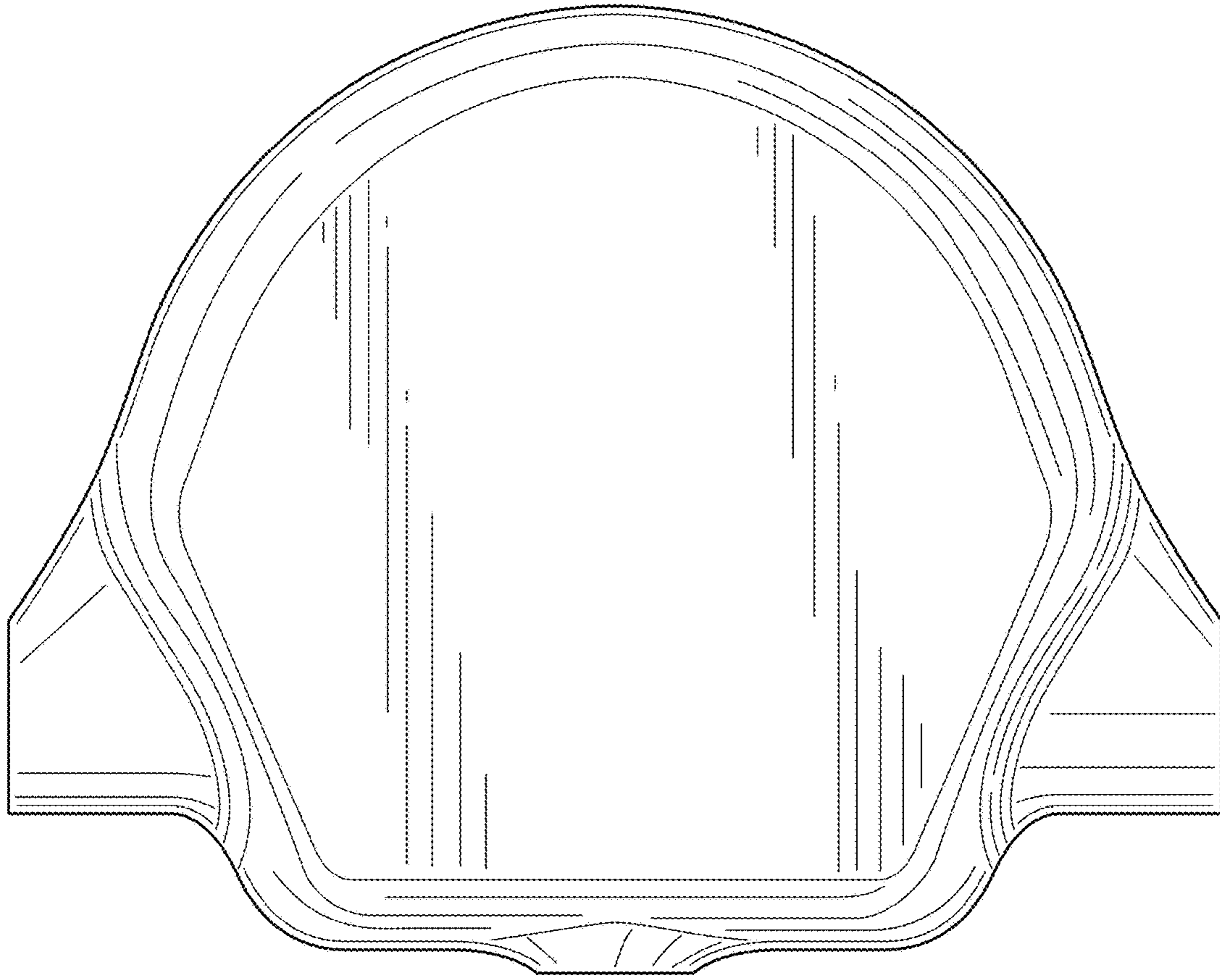


FIG.2

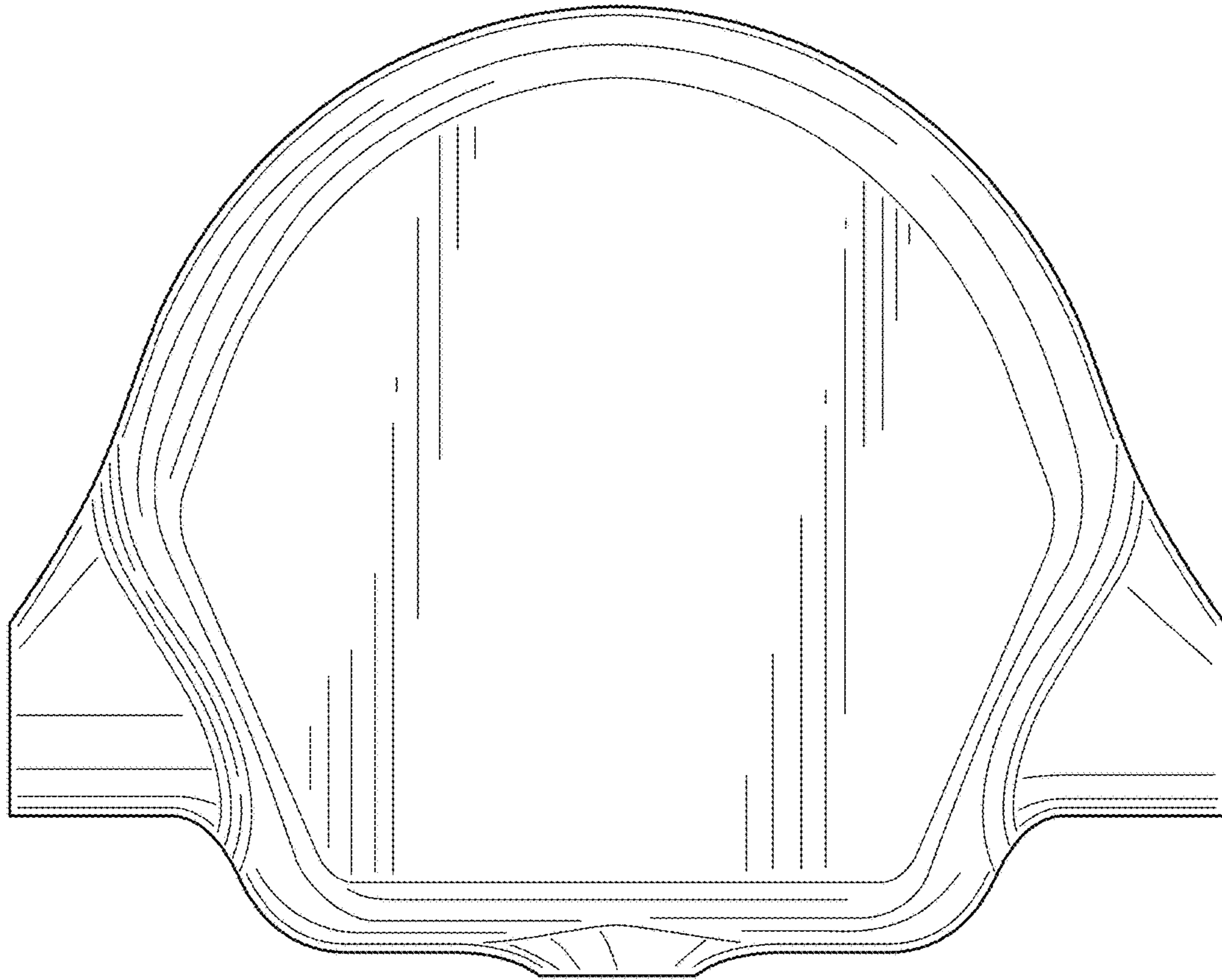


FIG.3

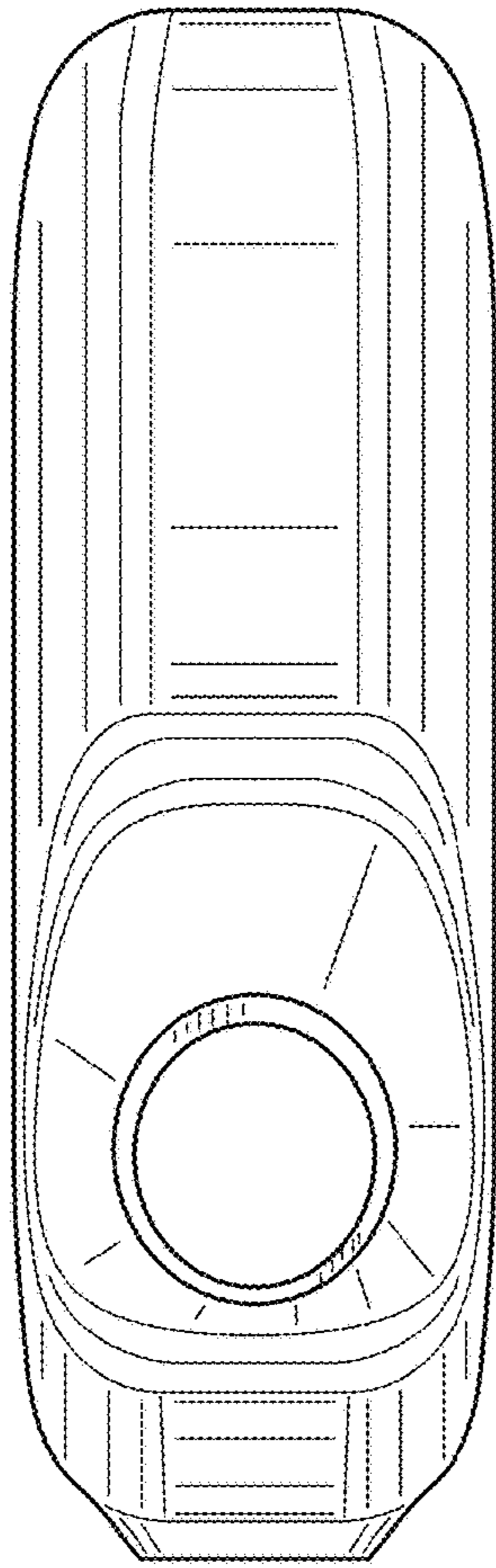


FIG.4

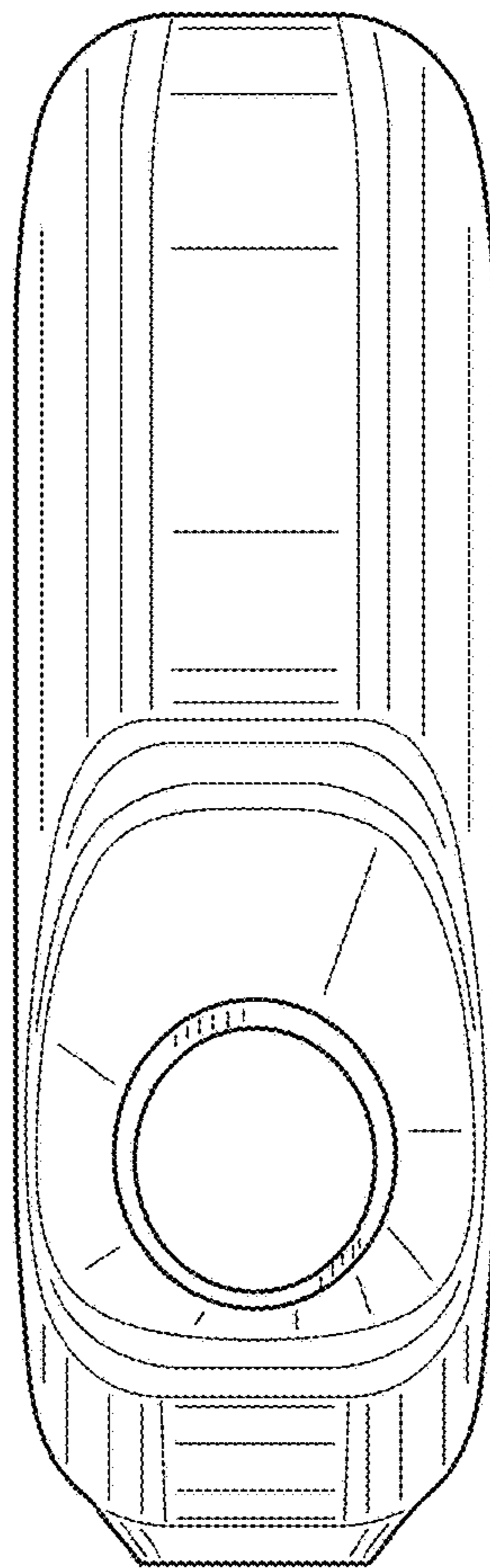


FIG.5

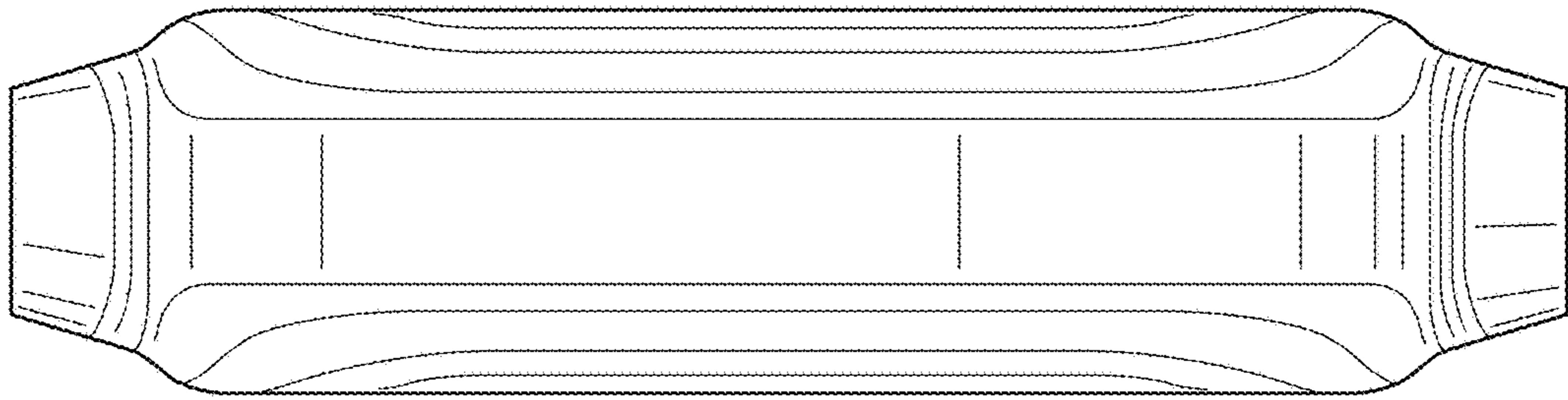


FIG. 6

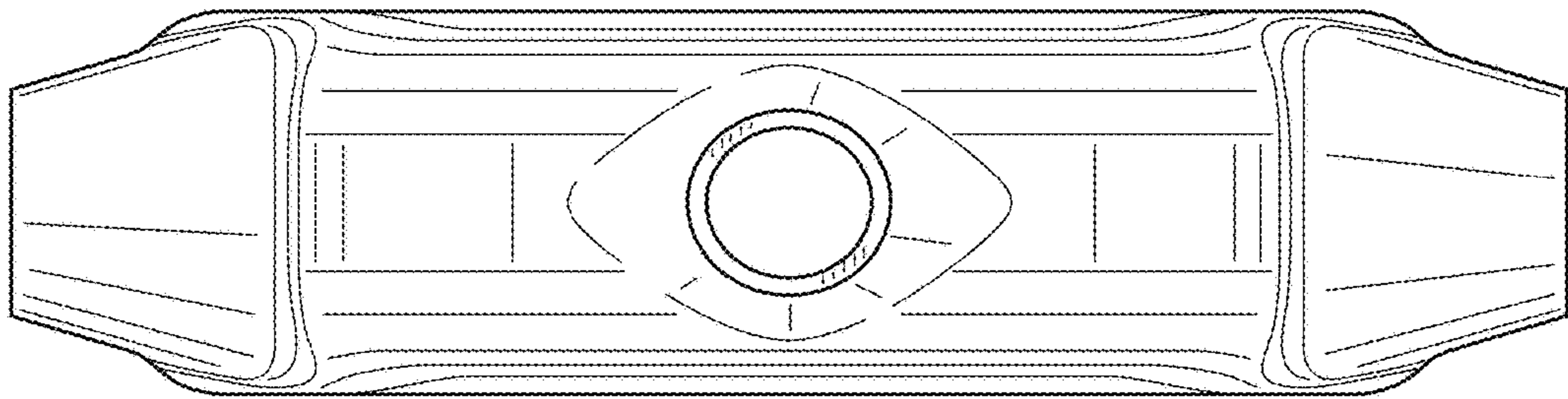


FIG. 7